

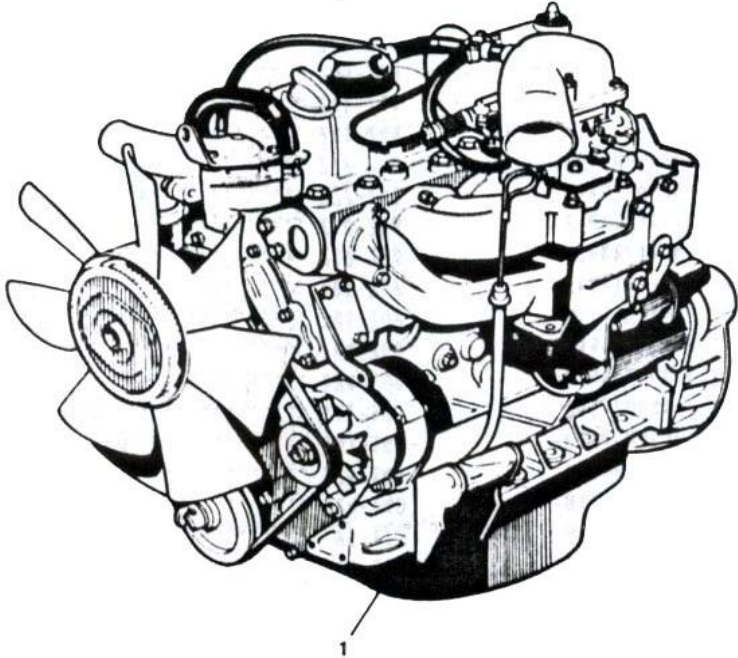
## LAND ROVER 110 YEDEK PARÇALARI

1-1

## MOTOR, VOLAN, DEBRİYAJ, ENGINE, FLYWHEEL, CLUTCH

## MOTOR-KOMPLE-2,5 BENZİNLİ

RES. NO	PARÇA NO	NATO STOK NO	MALZEMENİN ADI	MALZEMENİN YABANCI ADI	KOMP. MİK.	DAG. BİRİMİ
1	ETC5900N	2805-99-788-7755	KOMPLE MOTOR	ENGINE ASSY.	1	ADET



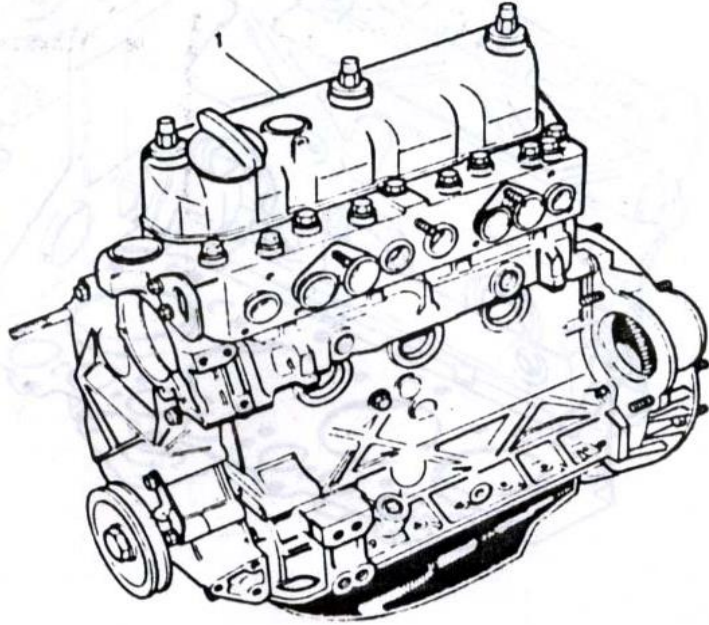
## LAND ROVER 110 YEDEK PARÇALARI

1-2

## MOTOR, VOLAN, DEBRİYAJ, ENGINE, FLYWHEEL, CLUTCH

**MOTOR-ÇIPLAK-2,5 BENZİNLİ**

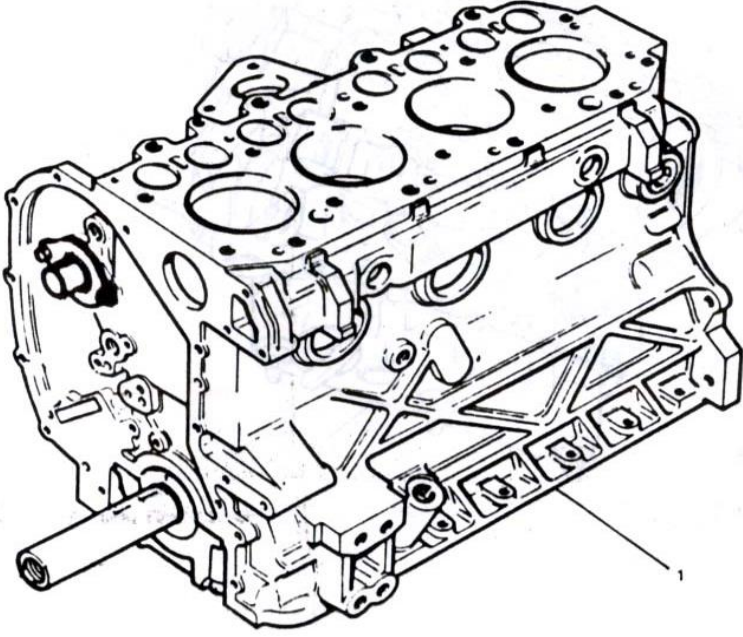
RES. NO	PARÇA NO	NATO STOK NO	MALZEMENİN ADI	MALZEMENİN YABANCI ADI	KOMP. MİK.	DAG. BİRİMİ
1	RTC6800N		MOTOR-ÇIPLAK-YENİ	ENGINE-STRIPPED-NEW	1	ADET

**LAND ROVER 110 YEDEK PARÇALARI**

1-3

**MOTOR, VOLAN, DEBRİYAJ, ENGINE, FLYWHEEL, CLUTCH****MOTOR-KISA-2,5 BENZİNLİ**

RES. NO	PARÇA NO	NATO STOK NO	MALZEMENİN ADI	MALZEMENİN YABANCI ADI	KOMP. MİK.	DAG. BİRİMİ
---------	----------	--------------	----------------	------------------------	------------	-------------



1	RTC6793		MOTOR KOMPLESİ-KISA	ENGINE ASSEMBLY-SHORT	1	ADET
---	---------	--	---------------------	-----------------------	---	------

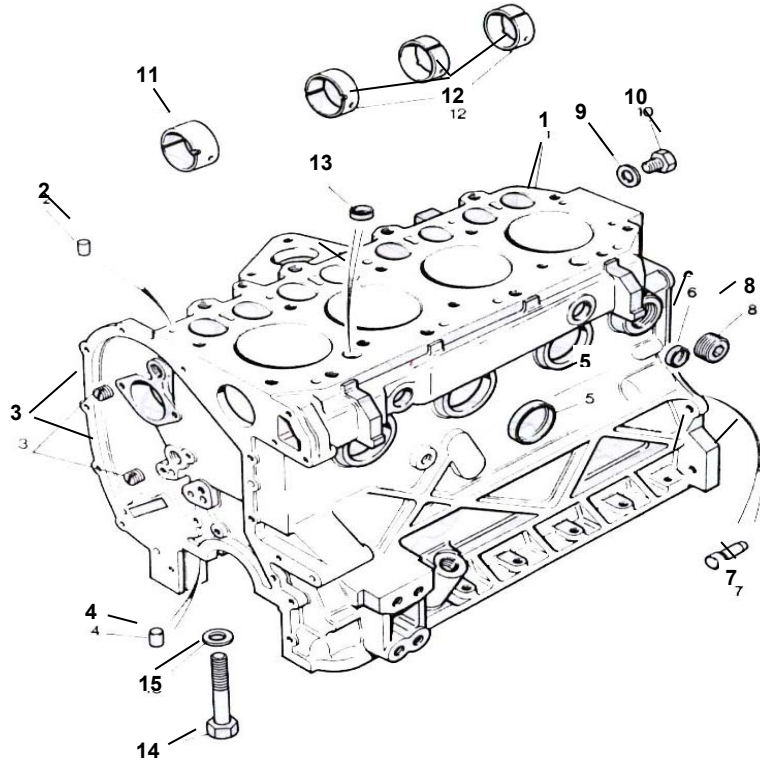
LAND ROVER 110 YEDEK PARÇALARI

1-4

MOTOR, VOLAN, DEBRİYAJ, ENGINE, FLYWHEEL, CLUTCH

MOTOR-SİLİNDİR BLOĞU-2,5 BENZİNLİ

RES. NO	PARÇA NO	NATO STOK NO	MALZEMENİN ADI	MALZEMENİN YABANCI ADI	KOMP. Mik.	DAG. BİRİMİ
1	RTC3985	2805-99-657-6276	Silindir Bloğu Komple	Cylinder Block Ass.	1	ADET
2	247965	5315-99-873-8071	Tapa-Tapet Yuvası	Plug-Tappet Hole Feed	1	ADET
3	247127	5365-99-850-0459	Tapa-Yağ Kanalı	Plug-Oil Gallery	2	ADET



4	501593	5315-99-850-1611	Pim,Yatak Kebi	Dowel, Bearing Cap	10	ADET
5	ERC4996	2590-99-978-1407	Tapa, Kapak, Yan	Cup Plug, Side/ends	6	ADET
6	597586	5340-99-824-7854	Tapa, Kapak	Cup Plug, Water Rail	3	ADET
7	ERC4644	5315-99-766-6577	Pim, Volan Muhafzası	Dowel, Flywhell Housing	2	ADET
8	527269	4730-99-874-0234	Tapa, Isıtıcı Yeri	Plug, Immersion Heater	1	ADET
9	243959	5330-99-850-1592	Pul, Kanal Borusu	Joint Washer, Gallery Pipe	2	ADET
10	ETC4922	5365-99-788-7742	Tapa ,Kanal Borusu	Plug, Gallery Pipe	2	ADET
11	90519054	3120-99-844-9928	Eksantrik On Yatağı	Bearing, Camshaft, Front	1	ADET
12	90519055	3120-99-844-9929	Eksantrik Orta/Arka Yatağı	Bearing, Camshaft, Enter/Rear	3	ADET
13	ERC4995	5340-99-783-8864	Tapa, Kapak, Üst	Cup Plug, Top	2	ADET
14	ETC7596	5306-99-850-0493	Cıvata, Ana Yatak Kepleri	Bolt, Main Bearing Cap	10	ADET
15	504006	5310-99-874-1905	Pul, Ana Yatak Kepleri	Washer, Main Bearing Cap	10	ADET
	ETC7708	5315-99-256-8137	Tapa, Eksantrik Yağ Beslemesi	Plug, Camshaft Oil Feed	3	ADET

NOT:Motor No 17h25700'e kadar bu sayfa geçerlidir.

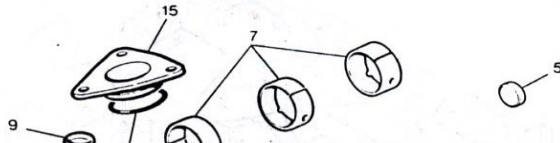
## LAND ROVER 110 YEDEK PARÇALARI

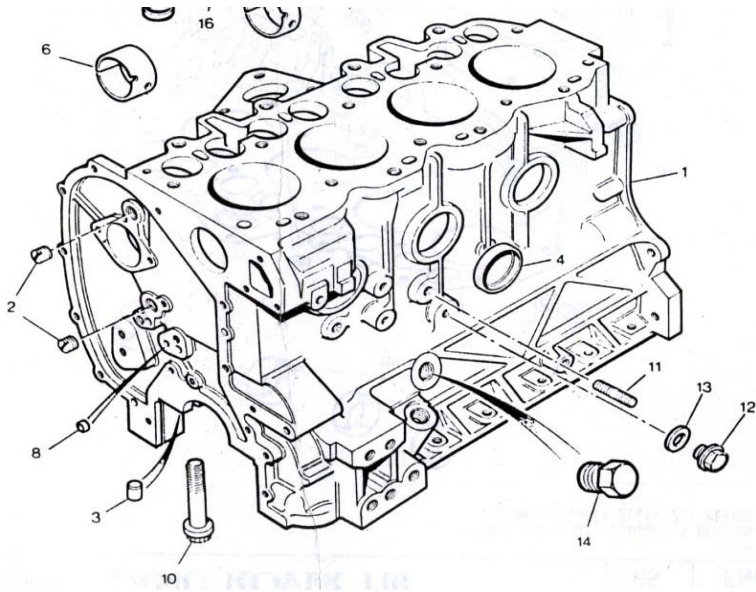
1-5

## MOTOR, VOLAN, DEBRİYAJ, ENGINE, FLYWHEEL, CLUTCH

### MOTOR-SİLİNDİR BLOĞU-2,5 BENZİNLİ

RES. NO	PARÇA NO	NATO STOK NO	MALZEMENİN ADI	MALZEMENİN YABANCI ADI	KOMP. MİK.	DAĞ. BİRİMİ
1	ERR477	2805-99-779-9468	Silindir Bloğu Komple	Cylinder Block Assembly	1	ADET
2	247127	5365-99-850-0459	Tapa-Yağ Kanalı	Plug-Oil Gallery	3	ADET
3	501593	5315-99-850-1611	Pim-Yatak Kebi	Dowel-Bearing Caps	10	ADET
4	ERC4996	2590-99-978-1407	Tapa Kapak-Yan	Cup Plug-Side/ends	6	ADET
5	597586	5340-99-824-7854	Tapa Kapak	Cup Plug-Water Rail Ends	3	ADET
6	ETC8442	3120-99-425-4491	Eksantrik Ön Yatağı	Bearing-Camshaft Front	1	ADET
7	90519055	3120-99-844-9929	Eksantrik Orta/Arka Yatağı	Bearing-Camshaft-Inter/Rear	3	ADET
8	ETC4529	5340-99-734-5211	Tapa Kapak	Cup Plug	1	ADET





9	ERC4995	5340-99-783-8864	Tapa Kapak	Cup Plug	2	ADET
10	ETC8074		Cıvata-AnaYatak Kepleri	Bolt-Main Bearing Cap	10	ADET
11	TE108031L	5307-99-137-6381	Saplama-Marş Motoru Braketi	Stud-Starter Motor Bracket	1	ADET
12	ETC5577	5365-99-839-5444	BOŞALTMA TAPASI	Drain Plug	1	ADET
13	213961	5330-99-850-0667	Bağlantı Pulu	Joint Washer	1	ADET
14	ETC8362		Tapa-Boşaltma	Plug-Turbo Drain	1	ADET
15	ERR586	2815-99-522-0698	Adaptor-Silindir Bloğu	Adaptor-Cylinder Block	1	ADET
16	ERR531		O'Ring-Adaptor	O'Ring-Adaptor	1	ADET
	ERC9188	2815-99-782-2687	Silindir Gömleği	Cylinder Liner	4	ADET
	ETC7708	5315-99-256-8137	Tapa	Tapered Plug	3	ADET

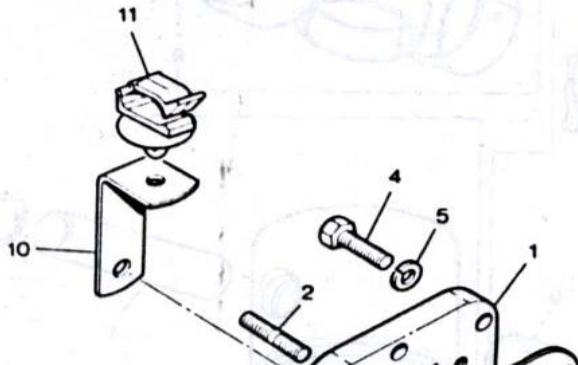
NOT:Motor No 17h25701'den itibaren bu sayfa geçerlidir.

## LAND ROVER 110 YEDEK PARÇALARI

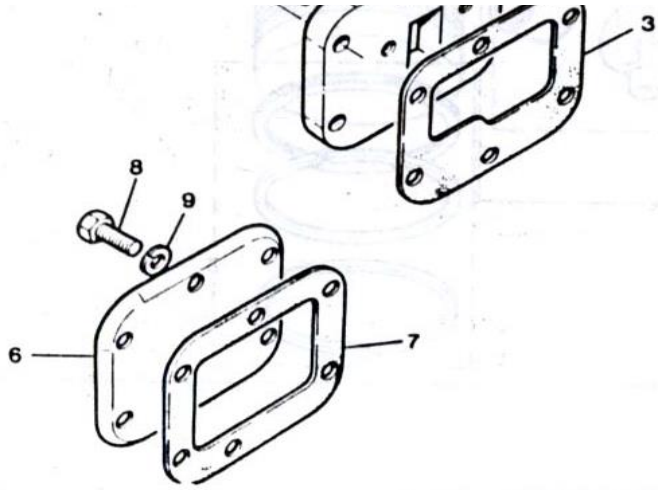
1-6

## MOTOR, VOLAN, DEBRİYAJ, ENGINE, FLYWHEEL, CLUTCH

### MOTOR-YAN KAPAKLAR-2,5 BENZİNLİ



RES. NO	PARÇA NO	NATO STOK NO	MALZEMENİN ADI	MALZEMENİN YABANCI ADI	KOMP. Mik.	DAG. Birimi
1	ETC4799		Yan Kapak-Arka	Side Cover-Rear	1	ADET
2	TE108041L	5307-99-700-7202	Saplama	Stud	2	ADET
3	247554	2805-99-850-0472	Conta-Kapağı Bloğa	Joint Washer-Cover to Block	1	ADET
4	11000-80016-AA	5306-27-006-2703	Cıvata	Screw (SH108201)	6	ADET
5	11000-80302-AA	5310-27-006-2928	Rondela	Spring Washer	6	ADET
6	ERC2869	2805-99-831-7329	YanKapak-Ön	SideCover-Front	1	ADET
7	247555	5330-99-850-0473	Conta-Kapağı Bloğa	Joint Washer-Cover to Block	1	ADET
8	11000-80016-AA	5306-27-006-2703	Cıvata	Screw (SH108201)	6	ADET
9	11000-80302-AA	5310-27-006-2928	Rondela	Spring Washer	6	ADET
10	ERC9480	5340-99-788-7730	Braket-Kelepçeyi Kapağa	Bracket-Clip to side cover	1	ADET
11	AFU1090L	5340-99-788-7393	Kelepçe	Clip	1	ADET

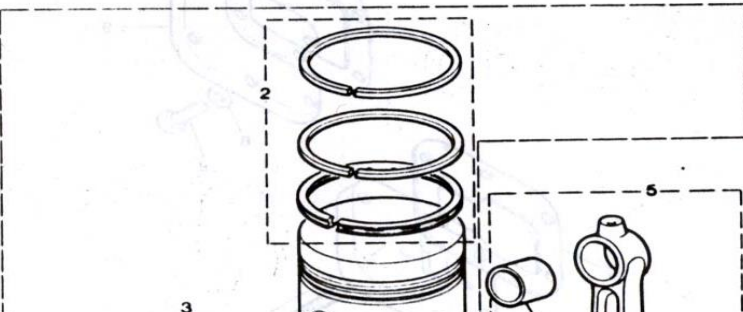


### LAND ROVER 110 YEDEK PARÇALARI

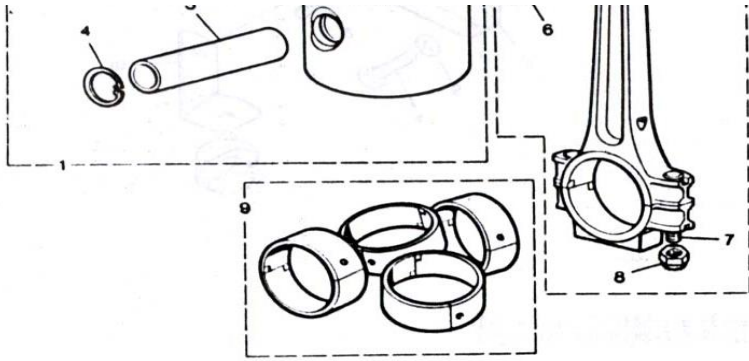
1-7

### MOTOR, VOLAN, DEBRİYAJ, ENGINE, FLYWHEEL, CLUTCH

### MOTOR-PİSTON VE SEKMANLAR-2,5 BENZİNLİ ENGINE-PISTON AND RINGS-2,5 PETROL



RES. NO	PARÇA NO	NATO STOK NO	MALZEMENİN ADI	MALZEMENİN YABANCI ADI	KOMP. MİK.	DAG. BİRİMİ
1			Piston Komitesi	Piston Assembly		ADET
	RTC4734S	2805-99-254-7632	Standart Piston Komitesi	Standard Piston Assembly	4	ADET
	RTC473420	2805-99-254-7630	Piston Komitesi 020" (0.508mm) Büyük	Piston Assembly 020" (0.508mm) Oversize	4	ADET
2			Segman takımı	Piston Ring		ADET
	RTC4374S	2805-99-254-7632	Standart Piston Komitesi	Standard Piston Assembly	4	ADET
	RTC437420	2590-99-887-6269	Piston Komitesi 020" (0.508mm) Büyük	Piston Assembly 020" (0.508mm) Oversize	4	ADET
3	ETC5994		Piston Pimi	Gudgeon Pin	4	ADET
4	265175	5365-99-910-8280	Segman	Circlip	8	ADET
5	ERR595	2805-99-788-7759	BİYEL KOLU KOMPLESİ	CONNECTING ROD ASSEMBLY	4	ADET
6	528004	3120-99-844-9962	Biyel Kol Burcu	Bush	4	ADET
7	ETC7357	5306-99-973-1626	Civata	Bolt	8	ADET
8	ETC8191	5310-99-701-0923	Somun	Nut	8	ADET
9			Biyel kol Yatağı takımı	Bearing connecting rot-engineset	4	ADET



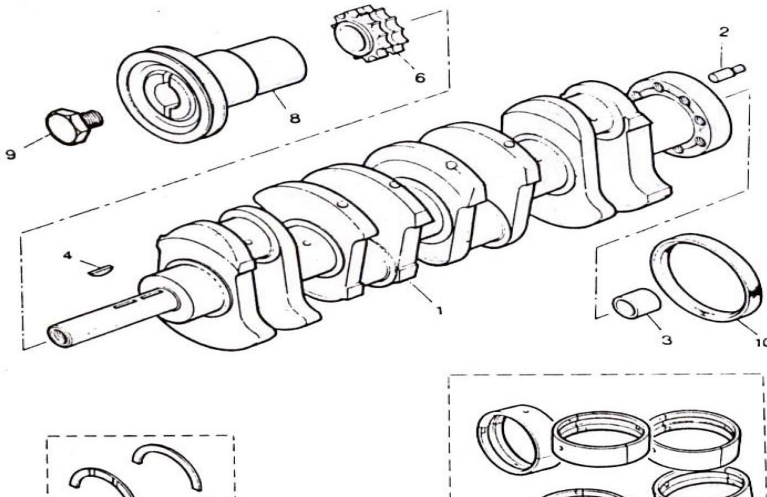
RTC2993	3120-99-734-9121	Standart Biyel Kol Yatağı Takımı	Standard Bearing-Connecting Rod	1	ADET
RTC299310	3120-99-477-4647	Biyel Kol Yat. Tak. 0.10" (0.254mm) Küçük	Bearing-Conn. Rod0.10" (0.254mm)Undersi	1	ADET

## LAND ROVER 110 YEDEK PARÇALARI

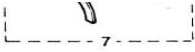
1-8

## MOTOR, VOLAN, DEBRİYAJ, ENGINE, FLYWHEEL, CLUTCH

### MOTOR-KRANK ŞAFT-2,5 BENZİNLİ



RES. NO	PARÇA NO	NATO STOK NO	MALZEMENİN ADI	MALZEMENİN YABANCI ADI	KOMP. MİK.	DAG. BİRİMİ
1	ETC8829	2815-99-120-4938	Krank Mili	Crank shaft	1	ADET
	ERR1181	2815-99-495-5746	Krank Mili	Crank shaft	1	ADET
2	ERC4658	2805-99-788-7637	Pim	Dowel	1	ADET
3	8566L	5340-99-708-8518	Volan Burcu	Bush	1	ADET
4	235770	5315-99-850-0441	Kama	Key-Chain wheel	1	ADET
5			Ana Yatak Kiti	KIT-MAIN BEARING	1	ADET
	RTC2992	3120-99-734-9104	Standart	Bearing,Half,Set,SI	1	ADET
	RTC229210		Ana Yatak Kiti-0.10"	Bearing Set Main-0.10"	1	ADET
	RTC4783	3120-99-660-3954	Ana Yatak Takımı-Standart	Bearing-Kit,Standard	1	ADET
6	568333	3020-99-810-0765	Zincir Dişlisi	Chain wheel	1	ADET
7			Dayama Pulu,Çift	Thurust Washer,Pairs		ADET
	RTC2825	2805-99-758-4313	Standart	Standard	2	ADET
	538131	2805-99-810-0762	0.0025" Büyük	0.0025"O/S	2	ADET
	538132	2805-99-810-0763	0.0050" Büyük	0.0050"O/S	2	ADET
	538133	3120-99-821-0118	0.0075" Büyük	0.0075"O/S	2	ADET
	538134	3120-99-821-0119	0.010" Büyük	0.010"O/S	2	ADET
8	ERC5349	2805-99-809-6333	Krank Kasnağı-Standart	Crank shaft Pulley Basic	1	ADET
	ERC5128		Krank Kasnağı-Takviyeli Direksiyon	Crank shaft Pulley Power Steering	1	ADET
9	ETC7934	5306-99-215-0613	Civata-Kasnak	Bolt-Crank shaft Pulley	1	ADET
	ERR605	5306-99-957-6177	Civata-Kasnak	Bolt-Crank shaft Pulley	1	ADET



	ERR705	5310-99-766-0575	Dayama Pulu-Kasnak	Thrust Washer-Crank shaft	1	ADET
10	ERR1535	5330-99-998-8908	Ana Yağ Contası	Oil Seal-Main	1	ADET

NOT1:Motor No 17H25700C'ye kadar.  
NOT2:Motor No 17H25701C'den itibaren.

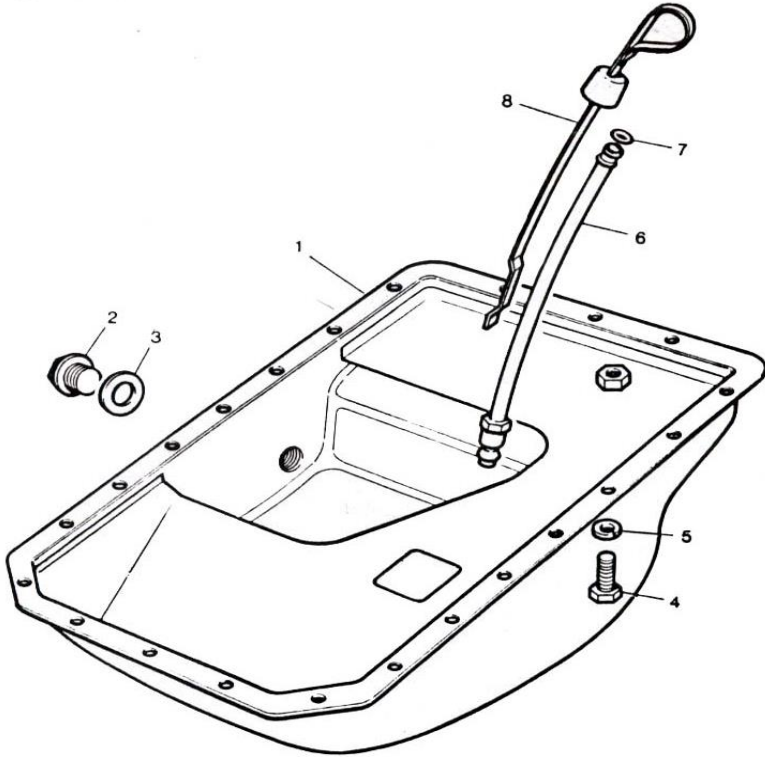
### LAND ROVER 110 YEDEK PARÇALARI

1-9

### MOTOR, VOLAN, DEBRİYAJ, ENGINE, FLYWHEEL, CLUTCH

### MOTOR-KARTER-2,5 BENZİNLİ

RES. NO	PARÇA NO	NATO STOK NO	MALZEMENİN ADI	MALZEMENİN YABANCI ADI	KOMP. MİK.	DAG. BİRİMİ
1	ETC6132		Karter	Sump-Crankcase	1	ADET
2	599552	5365-99-823-7203	Boşaltma Tapası	Drain Plug	1	ADET
3	FRC4808	5330-99-792-0835	Tapa Pulu	Joint Washer-Plug	1	ADET
4	11000-80014-AA	5306-27-006-2702	Cıvata	Screw	22	ADET
5	11000-80302-AA	5310-27-006-2928	Rondela	Spring Washer	22	ADET
6	ERC8980	2505-99-779-9487	Yağ Seviye Çubuğu Hortumu	Tube-Dipsitck	1	ADET
7	532387	5330-99-805-8670	Conta	Sealing Ring	1	ADET
8	ETC7867	6680-99-781-9336	Yağ Çubuğu	Dipstick	1	ADET





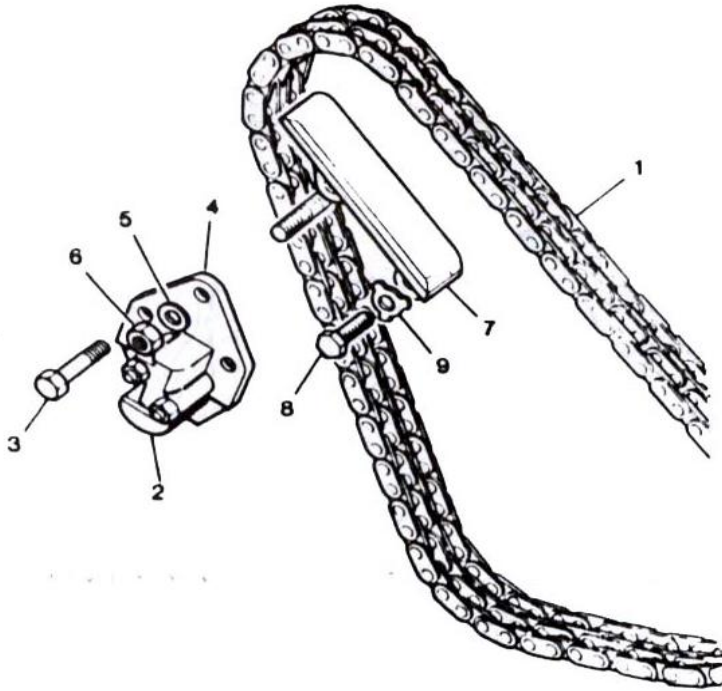
LAND ROVER 110 YEDEK PARÇALARI

1-10

MOTOR, VOLAN, DEBRİYAJ, ENGINE, FLYWHEEL, CLUTCH

MOTOR-TEVZİ ZİNCİRİ-2,5 BENZİNLİ

RES. NO	PARÇA NO	NATO STOK NO	MALZEMENİN ADI	MALZEMENİN YABANCI ADI	KOMP. MİK.	DAG. BİRİMİ
1	ETC5191	3020-99-809-0183	Tevzi Zinciri	Timing Chain	1	ADET
2	ETC5190	2805-99-799-2487	Gergi	Tensioner-Timing Chain	1	ADET
3	11000-80016-AA	5306-27-006-2703	Civata	Screw	2	ADET
4	TE108051L	5307-99-943-1034	Saplama	Stud	1	ADET
5	71A00-80324-AA	5310-99-122-6475	Pul	Plain Washer	3	ADET
6	71A00-80203-AA	5310-27-006-2774	Somun	Nut	1	ADET
7	275234	2805-99-844-9851	Titreşim Damperi	Vibration Damper	1	ADET
8	11000-80006-AA	5305-99-122-5359	Civata	Screw	2	ADET
9	557523	5310-99-804-6599	Kilitli Pul	Lock Washer	2	ADET

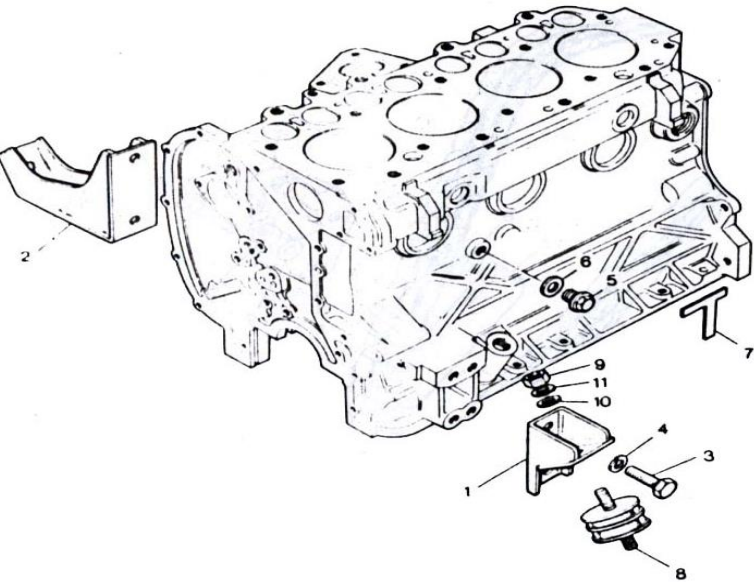


LAND ROVER 110 YEDEK PARÇALARI

1-11

MOTOR, VOLAN, DEBRİYAJ, ENGINE, FLYWHEEL, CLUTCH

MOTOR-MOTOR BAĞLANTILARI-2,5 BENZİNLİ  
ENGINE-ENGINE MOUNTING-2,5 PETROL



RES. NO	PARÇA NO	NATO STOK NO	MALZEMENİN ADI	MALZEMENİN YABANCI ADI	KOMP. MİK.	DAG. BİRİMİ
1	NRC5434	5340-99-792-8159	Motor Kulağı-Sol	Mounting Foot-LH	1	ADET
2	NRC9557	2990-99-798-7759	Motor Kulağı-Sağ	Mounting Foot-RH	1	ADET
3	11000-80078-AA	5306-27-006-2710	Civata	Screw (SH112251)	4	ADET
4	11000-80305-AA	5310-27-006-2930	Yaylı Rondela	Spring Washer-Footto Block (WL112001)	4	ADET
5	ERC9410	5365-99-779-9469	Tapa-Tahliye	Plug-Drain	1	ADET
6	AFU1882L	5310-99-779-9470	Bağlantı Pulu-Tahliye Tapası	Joint Washer-Drain Plug	1	ADET
7	ERC5086	2805-99-874-1185	Ara Parça	Packing Strip	2	ADET
8	NRC9560-L	5340-99-729-2347	MotorTakoza	Rubber,Engine Mounting	2	ADET
	ANR1808-L	5340-99-729-2347	MotorTakoza	Rubber-Engine Mounting	2	ADET
9	12B07-80207-AA	5310-27-006-2770	Somun-Takoza Kulağa	Nut-Rubberto Foot (NH110041)	4	ADET
10	71A00-80326-AA	5310-27-006-2950	Pul-Takoza Kulağa	Washer-Rubber to Foot (WC110061)	2	ADET
11	11000-80303-AA	5310-27-006-2929	Rondela-Takoza Kulağa	Washer-Spring-Rubber to Foot	4	ADET

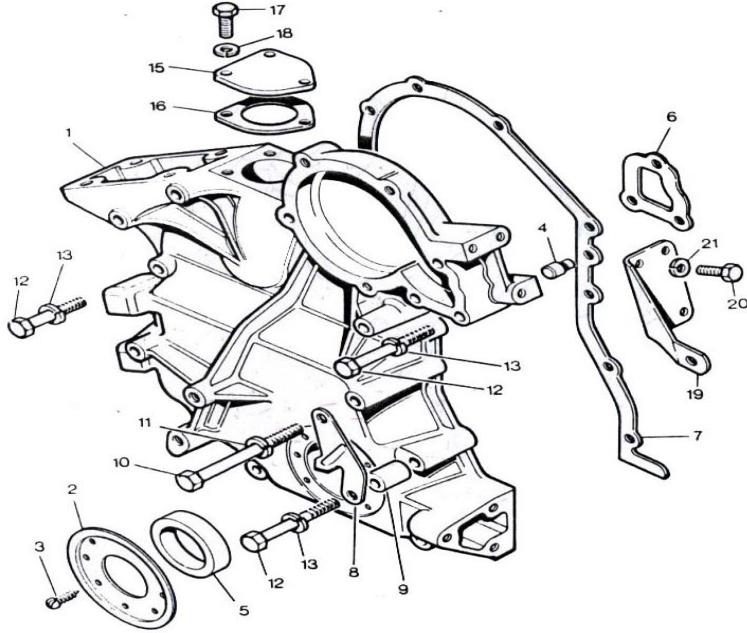
NOT1:Eylül 1992'ye kadar.  
NOT2:Eylül 1992'den itibaren

LAND ROVER 110 YEDEK PARÇALARI

1-12

MOTOR, VOLAN, DEBRİYAJ, ENGINE, FLYWHEEL, CLUTCH

MOTOR-ÖN KAPAK-2,5 BENZİNLİ



RES. NO	PARÇA NO	NATO STOK NO	MALZEMENİN ADI	MALZEMENİN YABANCI ADI	KOMP. MİK.	DAG. BİRİMİ
1	ETC6081		Ön Kapak Komple	Front Cover Assembly	1	ADET
2	247766	2805-99-850-0495	Çamur Sıyrıcı	Mud Excluder	1	ADET
3	AB606061L	5305-99-788-7257	Vida	Screw	8	ADET
4	6395L	5315-99-364-0152	Pim	Dowel	2	ADET
5	ETC5187	5330-99-791-3390	Yağ Keçesi	OilSeal	1	ADET
6	538038	5330-99-831-8087	Conta, Su Girişi	Joint Washer-Front Cover	1	ADET
7	538039	2805-99-873-8123	Conta-Ön Kapak	Joint Washer-Front Cover	1	ADET
8	ERC5361		Zamanlama Göstergesi	Timing Pointer	1	ADET
9	ERC6869	5365-99-788-7643	Ara Parça	Spacer	1	ADET
10	ERC8964	5306-99-138-6230	Civata	Bolt	1	ADET
11	11000-80302-AA	5310-27-006-2928	Yaylı Rondela	Spring Washer-Pumpto Block (WL108001)	1	ADET
12	ETC4994-L	5340-99-788-7743	Özel Civata	Bolt-Special	1	ADET
	14A00-80004-AA	5305-99-122-5260	Civata	Bolt	1	ADET
	14C01-80103-AA	5305-99-122-5256	Civata	Bolt	6	ADET
13	11000-80302-AA	5310-27-006-2928	Yaylı Rondela	Spring Washer-Pumpto Block (WL108001)	8	ADET
	71A00-80324-AA	5310-99-122-6475			1	ADET
19	ERC6479-L	2805-99-788-7642	Braket (Davlumbaz)	Mounting Bracket-Cowl	1	ADET
20	11000-80016-AA	5306-27-006-2703	Civata	Bolt (SH108201)	3	ADET
21	11000-80302-AA	5310-27-006-2928	Yaylı Rondela	Spring Washer-Pumpto Block (WL108001)	3	ADET

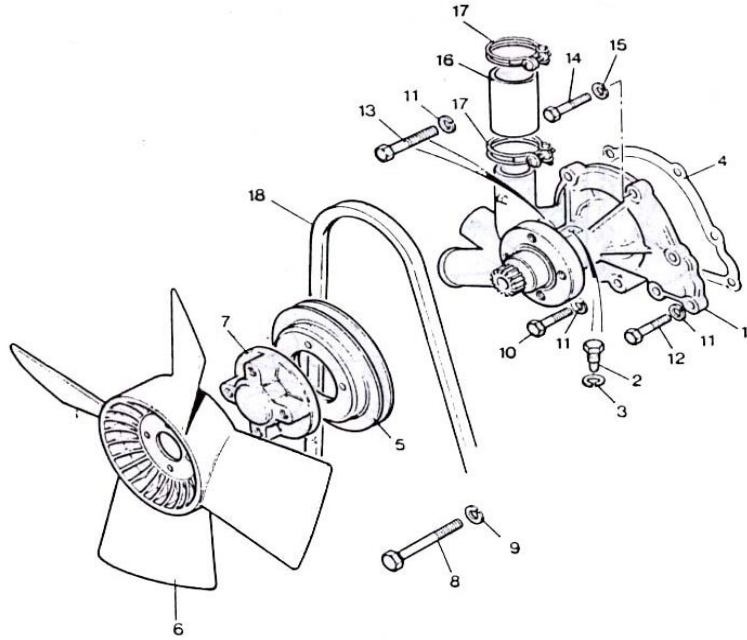
LAND ROVER 110 YEDEK PARÇALARI

1-13

MOTOR, VOLAN, DEBRİYAJ, ENGINE, FLYWHEEL, CLUTCH

MOTOR-DEVİRDAİM POMPASI-2,5 BENZİNLİ

RES. NO	PARÇA NO	NATO STOK NO	MALZEMENİN ADI	MALZEMENİN YABANCI ADI	KOMP. MİK.	DAG. BİRİMİ
1	RTC6331	2930-99-411-3252	Devirdaim Pompası Komple	Water Pump Assembly	1	ADET



2	ERC5600	5305-99-796-6075	Özel Vida	Special Screw	1	ADET
3	11000-80301-AA	5310-27-006-2927	Yaylı Rondela	Spring Washer	1	ADET
4	ERC5655	5330-99-839-5445	Conta	Gasket	1	ADET
5	ERC5578	3020-99-735-4723	Kasnak-Tek Kanallı	Pulley-Single Groove	1	ADET
6	ERC5545	2930-99-733-8610	Pervane Komitesi	Fan Assembly	1	ADET
7	ERC7489	2805-99-788-7718	Mesafe Burcu	Spacer	1	ADET
8	14A00-80003-AA	5305-99-122-5257	Civata	Bolt-Pulley to Pump (BH108111)	4	ADET
9	11000-80302-AA	5310-27-006-2928	Yaylı Rondela	Spring Washer-Pulley to Pump (WL108001)	4	ADET
10	11000-80026-AA	5305-99-122-5261	Civata	Bolt-Pumpto Block (BH108161)	2	ADET
11	11000-80302-AA	5310-27-006-2928	Yaylı Rondela	Spring Washer-Pump to Block (WL108001)	4	ADET
12	11000-80027-AA	5306-99-788-7597	Civata-Pompayı Kapağa	Bolt-Pump to Cover (BH108171)	1	ADET
13	14A00-80004-AA	5305-99-122-5260	Civata	Bolt-Pumpto Block	1	ADET
14	11000-80020-AA	5306-27-006-2681	Civata	Bolt-Pumpto Block	3	ADET
15	11000-80302-AA	5310-27-006-2928	Yaylı Rondela	Spring Washer-Pump to Block (WL108001)	3	ADET
16	ERC5654	2930-99-727-6619	Hortum	Hose-ByPass to Outlet	1	ADET
17	CN100408L	4730-99-788-7623	Hortum Kelepçesi	Hoseclip	2	ADET
18	563132	3030-99-825-5915	Pervane Kayışı	Fan Assembly	1	ADET

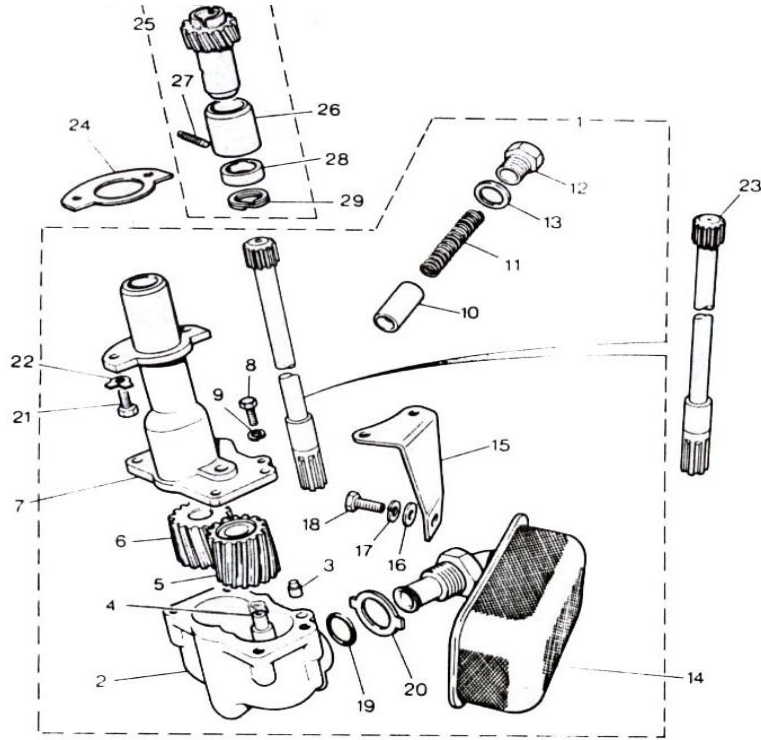
### LAND ROVER 110 YEDEK PARÇALARI

1-14

### MOTOR, VOLAN, DEBRİYAJ, ENGINE, FLYWHEEL, CLUTCH

#### MOTOR-YAĞ POMPASI-2,5 BENZİNLİ ENGINE-OIL PUMP-2,5 PETROL

RES. NO	PARÇA NO	NATO STOK NO	MALZEMENİN ADI	MALZEMENİN YABANCI ADI	KOMP. MİK.	DAG. BİRİMİ
1	ERR1117	4320-99-499-8356	Yağ Pompası Komple	Oil Pump Assembly	1	ADET
2			Yağ Pompa Gövdesi	Oil Pump Body Assembly	1	ADET
3	236257	5315-99-838-3407	Pim	Dowel	2	ADET
4	ERR1063	2805-99-131-0405	Avara Dişli Mili	Idler Wheel Spindle	1	ADET
5	ERR1088	3020-99-563-5008	Avara Dişli	Idler Wheel	1	ADET
6	ERC9706	3020-99-735-4735	Tahrik Dişlisi	Driver Wheel	1	ADET



7			Yağ Pompa Kapagı	Oil Pump Cover	1	ADET
8	11000-80016-AA	5306-27-006-2703	Civata	Bolt (SH108201)	4	ADET
9	11000-80302-AA	5310-27-006-2928	Rondela	Spring Washer	4	ADET
10	ETC4880	5340-99-735-4736	İtici-Yağ Çıkış	Plunger-Oil Relief	1	ADET
11	564456	5360-99-806-2194	Yay-Yağ Çıkış	Spring-Oil Relief	1	ADET
12	564455	5340-99-808-4734	Tapa-Yağ Çıkış	EndPlug-Oil Relief	1	ADET
13	232044	5330-99-804-6594	Pul-Yağ Çıkış	Joint Washer-Oil Relief	1	ADET
14	ERC7530	2805-99-779-9471	Filtre	Filter	1	ADET
15	ERC7940	2940-99-799-8881	Destek Braketi	Support Bracket	1	ADET
16	71A00-80324-AA	5310-99-122-6475	Pul-Filtreyi Brakete	Washer-Filterto Support Bracket	1	ADET
17	11000-80302-AA	5310-27-006-2928	Rondela	Spring Washer	1	ADET
18	11000-80016-AA	5306-27-006-2703	Civata	Bolt (SH108201)	1	ADET
19	244488	5330-99-850-0450	O-Ring	O' Ring	1	ADET
20	244487	5310-99-850-0449	Kilitli Pul	Lock Washer	1	ADET
21	11000-80017-AA	5306-27-006-2704	Civata	Bolt (SH108251)	2	ADET
22	247665	5310-99-137-9121	Kilitli Pul	Lock Washer	2	ADET
23	ERR850	2815-99-956-9144	Şaft	Shaft	1	ADET
24	ERC8408	5330-99-764-3482	Conta; Pompa Kapağını Bloğa	Gasket, Pump Coverto Block	1	ADET
25	ETC6139	2805-99-724-5824	Tahrik Mili-Dişli ve Yatak Kompleksi	Drive Shaft-Gear and Bush Assembly	1	ADET
26	522745	2805-99-874-0582	Yatak	Bush	1	ADET
27	ETC6142	5305-99-735-4741	Tespit Civatası	Locating screw	1	ADET
28	ETC6137	3120-99-735-4739	Dayama Pulu	Thrust Washer	1	ADET
29	ETC6138	5310-99-735-4740	Kilitli Pul	Locking Ring	1	ADET
30	247742	5365-99-804-3575	Segman	Circlip	1	ADET

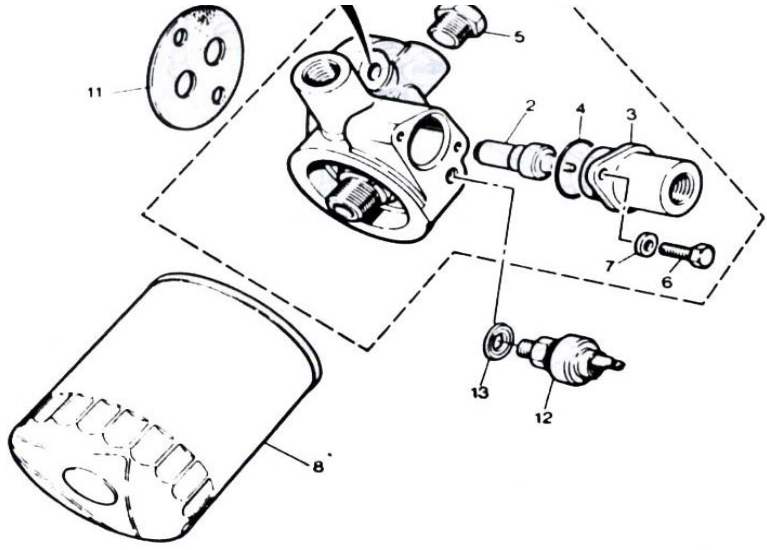
NOT1:ERR1117 ile beraberdir.Ayrıca Sipariş verilemez

## LAND ROVER 110 YEDEK PARÇALARI

### MOTOR-YAĞ SOĞUTUCULU YAĞ FİLTRESİ-2,5 BENZİNLİ ENGINE-OIL FILTER WITH OIL COOLER-2,5 PETROL



1-15		MOTOR, VOLAN, DEBRİYAJ, ENGINE, FLYWHEEL, CLUTCH				
RES. NO	PARÇA NO	NATO STOK NO	MALZEMENİN ADI	MALZEMENİN YABANCI ADI	KOMP. MİK.	DAG. BİRİMİ
1	ERR1347	2805-99-396-0322	Yağ Filtre Kompleksi	Oil Filter Adaptor Assembly	1	ADET
2	ERC5923	6620-99-739-9266	Termostat	Thermostat Bulb	1	ADET
3	ETC4022	2805-99-739-9278	Adaptör	Adaptor	1	ADET
4	ERC5913	5330-99-749-5532	O-Ring	ORing	1	ADET
5	ETC4021	5365-99-740-0277	Tapa	Plug	1	ADET
6	71A10-80068-AA	5306-27-006-2716	Civata	Screw (SH106141)	2	ADET
7	11000-800351-AA	5310-99-122-6474	Pul	Washer (WA106041)	2	ADET
8	ERR1168	2940-99-930-4794	Eleman	Element oil filter	1	ADET



9	11000-80038-AA	5306-27-006-2709	Civata-Filtreyi Bloğa	Screw-Filter to Block (SH110301)	2	ADET
10	WL110301L		Pul-Filtreyi Bloğa	Washer-Filter to Block	2	ADET
11	ETC7582		Conta-Yağ Filtresi	Gasket-Oil Filter	1	ADET
12	PRC6387	5930-99-775-7685	Müşir-Yağ Basınç	Switch-Oil Pressure	1	ADET
13	232039	5330-99-850-0226	Pul-Müşir	Joint Washer-Switch	1	ADET

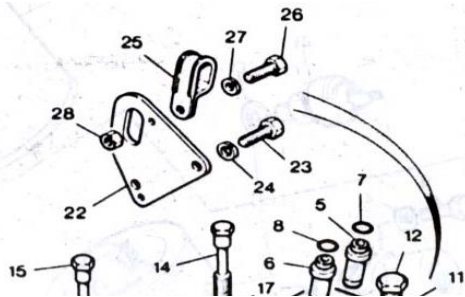
### LAND ROVER 110 YEDEK PARÇALARI

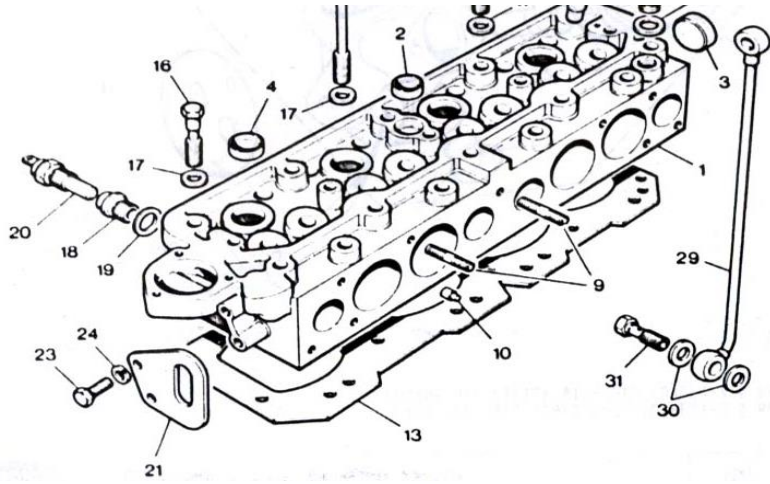
1-16

### MOTOR, VOLAN, DEBRİYAJ, ENGINE, FLYWHEEL, CLUTCH

### MOTOR-SİLİNDİR KAFASI-2,5 BENZİNLİ

RES. NO	PARÇA NO	NATO STOK NO	MALZEMENİN ADI	MALZEMENİN YABANCI ADI	KOMP. MİK.	DAĞ. BİRİMİ
1	ETC5412	2805-99-779-9496	Silindir Kafa Komitesi	Cylinder Head Assembly	1	ADET
2	525497	5340-99-806-2193	Tapa	Cup Plug	1	ADET
3	524765	5340-99-873-8095	Tapa	Cup Plug	1	ADET
4	549702	5340-99-828-9232	Tapa	Cup Plug	4	ADET
5	568686	2990-99-835-4245	Sübab Gaydı-Emiş	ValveGuide-Inlet	4	ADET
6	568687	2805-99-833-5509	Sübab Gaydı-Egzost	ValveGuide-Exhaust	4	ADET
	ETC6278	2805-99-788-7766	Sübab Yatak Kılavuzu-Egzost	Insert-Valve Seat-Exhaust	4	ADET
7	ETC4709	2805-99-809-2333	Conta-Emiş Sübabı	Seal-Inlet Valve	4	ADET
8	ETC4751	2910-99-790-2113	Conta-Egzost Sübabı	Seal-Exhaust Valve	4	ADET
9	TE108051L	5307-99-943-1034	Saplama	Stud	3	ADET
10	213700	5315-99-849-8855	Pim	Dowel	2	ADET
11	AFU1890L	4730-99-780-0072	Pul	Joint Washer	1	ADET





12	ERC9448	5365-99-780-0071	Tapa	Plug	1	ADET
13	ERC6380	5330-99-838-5749	Conta	Gasket	1	ADET
14	247051	2805-99-824-7094	Civata	Bolt4.562"	9	ADET
15	279648	5306-99-844-9971	Civata	Bolt2.312"	4	ADET
16	554621	5306-99-802-5193	Civata	Bolt4.125"	5	ADET
17	ERC6821	5310-99-763-3471	Pul	Washer	18	ADET
18	ERC8973	4730-99-780-0073	Adaptör	Adaptor	1	ADET
19	AFU1890L	4730-99-780-0072	Pul	Joint Washer	1	ADET
20	PRC2505	6685-99-839-5424	Hararet Müşiri	WaterTemperatureTransmitter	1	ADET
21	ERC2254	2805-99-833-8891	Kaldırma Braketi-Ön	Lifting Bracket-Front	1	ADET
22	ETC7135		Kaldırma Braketi-Arka	Lifting Bracket-Rear	1	ADET
23	11000-80016-AA	5306-27-006-2703	Civata-Braketi Kafaya	Screw-Brackets to Head (SH108201)	4	ADET
24	11000-80302-AA	5310-27-006-2928	Rondela	Spring Washer-Brac.to Head (WL108001)	4	ADET
25	543589	5340-99-802-0919	Kelepçe	Clip	1	ADET
26	SH104121L	5305-99-138-3807	Civata	Screw	1	ADET
27	71A00-80298-AA	5310-99-122-3031	Pul	Plain Washer	1	ADET
28	71A00-80228-AA-	5310-99-122-6456	Somun	Nut	1	ADET
29	275679	4710-99-850-1554	Yağ Borusu	Oil Feed Pipe-Rockers	1	ADET
30	ETC6510	5330-99-152-3241	Pul	Joint Washer	4	ADET
31	ETC4498	4730-99-734-5733	Rakor Civata	Banjo Bolt	2	ADET

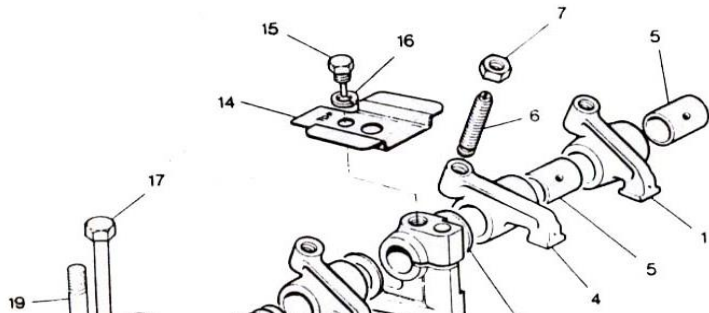
## LAND ROVER 110 YEDEK PARÇALARI

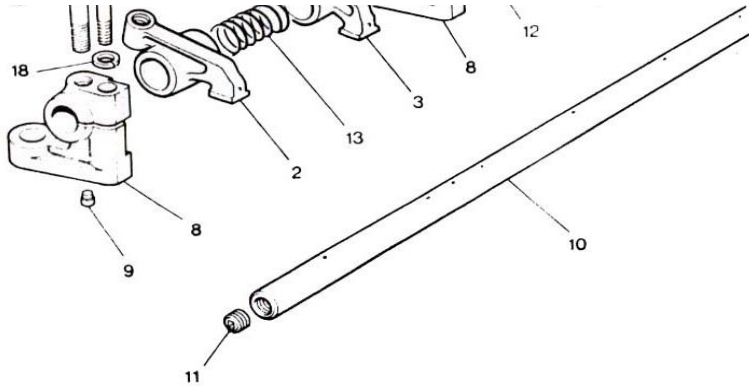
1-17

## MOTOR, VOLAN, DEBRİYAJ, ENGINE, FLYWHEEL, CLUTCH

### MOTOR-PIYANOLAR-2,5 BENZİNLİ

RES. NO	PARÇA NO	NATO STOK NO	MALZEMENİN ADI	MALZEMENİN YABANCI ADI	KOMP. MIK.	DAG. BİRİMİ
1	ERC9103	2805-99-798-9667	Egzost subabı piyano kompleşi, sağ	Valve rocker assembly, exhaust,RH	2	ADET
2	ERC9102	2805-99-798-9668	Egzost subabı piyano kompleşi, sol	Valve rocker assembly, exhaust,LH	2	ADET
3	ERC9107	2805-99-798-9669	Emme subabı piyano kompleşi,sağ	Valve rocker assembly, inlet,RH	2	ADET
4	ERC9106	2805-99-798-9670	Emme subabı piyano kompleşi, sol	Valve rocker assembly, inlet,LH	2	ADET
5	247614	3120-99-850-0478	Yatak	Bush	8	ADET
6	ERC9054	2805-99-798-9671	Ayar Vidası	Screw-TappetAdjuster	8	ADET
7	NT108041L	5310-66-098-4402	Kilit Somunu-AyarVidası	Locknut-Screw	8	ADET
8	ERC9138	2805-99-797-9080	Kaval Mil tutucu braketi	Pedestal bracket	5	ADET
9	277956	5315-99-849-9661	Pim, Merkezleme, Piyano Ayağı	Dowel-RockerShaft Bracket	3	ADET
10	ERC6341	3040-99-806-8898	Mil, Piyanoi	Shaft-Valve Rockers	1	ADET
11	ERC6337	5340-99-774-9281	Tapa	Plug	2	ADET
12	525389	5310-99-824-6638	Pul	Plain Washer	6	ADET
13	247040	5360-99-850-0451	Yay	Spring	4	ADET
14	ERC9278	2805-99-788-7727	Plaka	Baffle plate, Breather	1	ADET
15	ETC4460	5305-99-725-3543	Civata, Mil Merkezleyici	Screw-Shaft Location	1	ADET





16	11000-80302-AA	5310-27-006-2928	Yaylı Rondela	Spring Washer	1	ADET
17	14A00-80004-AA	5305-99-122-5260	Cıvata	Bolt	5	ADET
18	11000-80302-AA	5310-27-006-2928	Yaylı Rondela	Spring Washer	5	ADET
19	TE108081L	5307-99-977-3489	Saplama	Stud	3	ADET

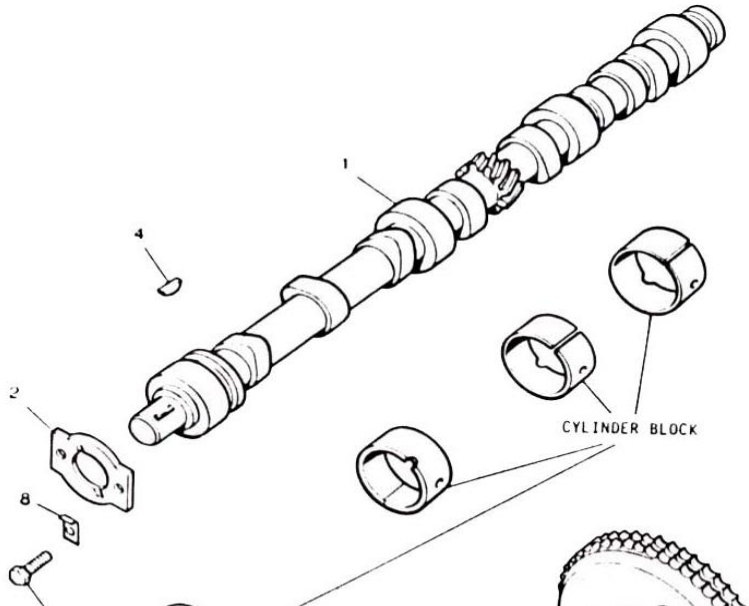
### LAND ROVER 110 YEDEK PARÇALARI

1-18

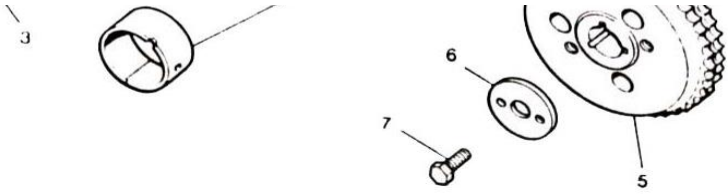
### MOTOR, VOLAN, DEBRİYAJ, ENGINE, FLYWHEEL, CLUTCH

### MOTOR-KAM MİLİ-2,5 BENZİNLİ

RES. NO	PARÇA NO	NATO STOK NO	MALZEMENİN ADI	MALZEMENİN YABANCI ADI	KOMP. MİK.	DAG. BİRİMİ
1	ETC7128	2815-99-781-9335	Kam Mili	Camshaft	1	ADET
2	ERC1561	2530-99-828-9231	Dayama Plakası-Kam Mili	Thrust Plate-Camshaft	1	ADET
3	11000-80007-AA	5306-27-006-2699	Cıvata	Screw	2	ADET
4	230313	5315-99-136-4886	Kama	Woodruff Key	1	ADET
5	ETC5172	2910-99-788-7745	Kam Mili Dişlisi	Chainwheel	1	ADET
6	ETC4140	5310-99-791-4333	Tutucu Pul	Retaining Washer	1	ADET
7	BH110071L	5306-99-122-2772	Tutucu Cıvata	Retaining Bolt	1	ADET
8	2995	5310-99-850-0009	Kilitleyici	Locker	2	ADET





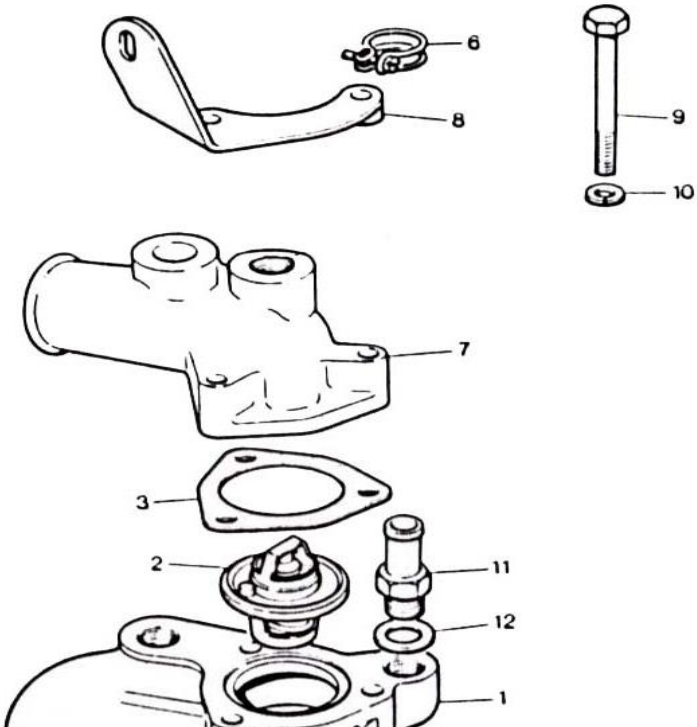


### LAND ROVER 110 YEDEK PARÇALARI

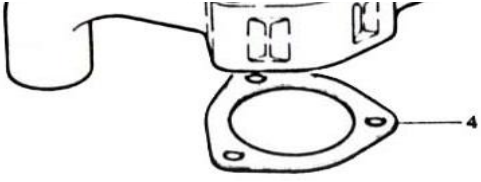
1-19

### MOTOR, VOLAN, DEBRİYAJ, ENGINE, FLYWHEEL, CLUTCH

### MOTOR-TERMOSTAT BOĞAZI-2,5 BENZİNLİ



RES. NO	PARÇA NO	NATO STOK NO	MALZEMENİN ADI	MALZEMENİN YABANCI ADI	KOMP. Mik.	DAĞ. BİRİMİ
1	ERC8758	2930-99-735-5733	Termostat Yuvası	Thermostat Housing & Bypass	1	ADET
2	ETC4761	6685-99-788-7740	Termostat-74 Derece	Thermostat-74C	1	ADET
3	ERR977	5330-99-108-9220	Conta	Joint Washer	1	ADET
4	247874	5330-99-850-1105	Conta-Termostat Yuvası Kapak	Gasket-Thermo Housing to Head	1	ADET
6	CN100258	4730-99-533-2960	Hortum Kelepçesi	Hose-Clip	2	ADET
7	ETC5967	2930-99-741-7045	Su Çıkış Bağlantısı	Water Outlet Connector	1	ADET
8	ETC5965		Bağlantı Braket	Bracket-Cowl Mounting	1	ADET
9	BH106151L	5306-99-122-8100	Civata	Bolt	3	ADET
10	11000-80301-AA	5310-27-006-2927	Yaylı Rondela-Kapak	Spring Washer-Cover to Head (WL106001)	3	ADET
11	624091	2540-99-825-0861	Adaptör-Yuva/BayPas Borusu	Adaptor-Housing/ByPass Pipe	1	ADET
12	243959	5330-99-850-1592	Bağlantı Pulu	Joint Washer	1	ADET



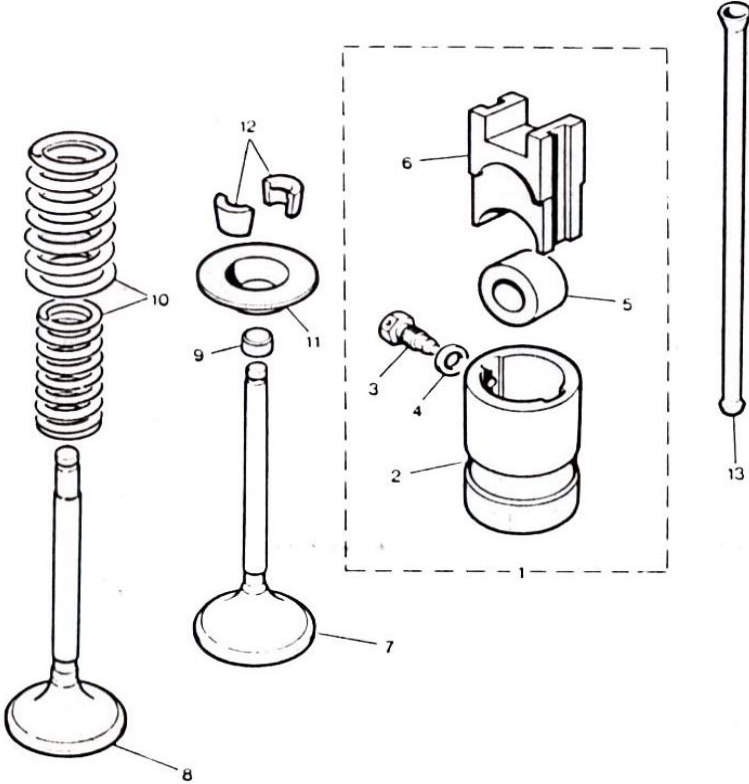
## LAND ROVER 110 YEDEK PARÇALARI

1-20

MOTOR, VOLAN, DEBRİYAJ, ENGINE, FLYWHEEL, CLUTCH

### MOTOR-SUBAB VE İTİCİLER-2,5 BENZİNLİ

RES. NO	PARÇA NO	NATO STOK NO	MALZEMENİN ADI	MALZEMENİN YABANCI ADI	KOMP. MİK.	DAG. BİRİMİ
1	507829	2805-99-850-1622	İtici Komitesi	Tappet Assembly	8	ADET
2	502473	2805-99-804-6596	Yolluk	Tappet Guide	8	ADET
3	ETC4246	5305-99-788-1265	Cıvata	Tappet	8	ADET
4	273069	5310-99-895-2066	Pul	Bolt-Set	8	ADET
5	90517429	3120-99-804-6597	Kam Makarası	Plain Washer	8	ADET
6	ETC5057	2805-99-895-1607	Tapet Kızağı	Roller Follower	8	ADET
7	ETC4067	2805-99-779-9482	Emme Sübabı	Inlet Valve	4	ADET
8	ETC5866	2805-99-788-7749	Egzost Sübabı	Exhaust Valve	4	ADET
9	ERR1158	2815-99-252-8195	Kapak	Valve stemprotection cap	8	ADET
10	568550	5360-33-180-8020	Subap yayı	Valve Spring	8	ADET
11	ETC4068	5340-99-779-9484	Şapka, Subap Yay	Cup-Valve Spring	8	ADET
12	ETC4069	2805-99-779-9485	Tırnak	Split Cotter-halves	16	ADET
13	546798	2805-99-874-1855	Çubuk	Push Rod	8	ADET



NOT:Bu parça subab gövdesi veya piyanolarda aşırı aşınma varsa takılmamalıdır.

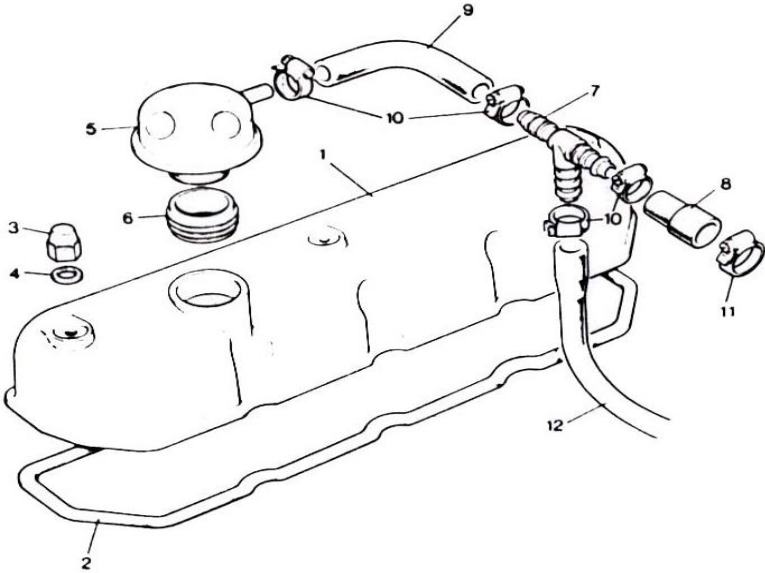
## LAND ROVER 110 YEDEK PARÇALARI

1-21

## MOTOR, VOLAN, DEBRİYAJ, ENGINE, FLYWHEEL, CLUTCH

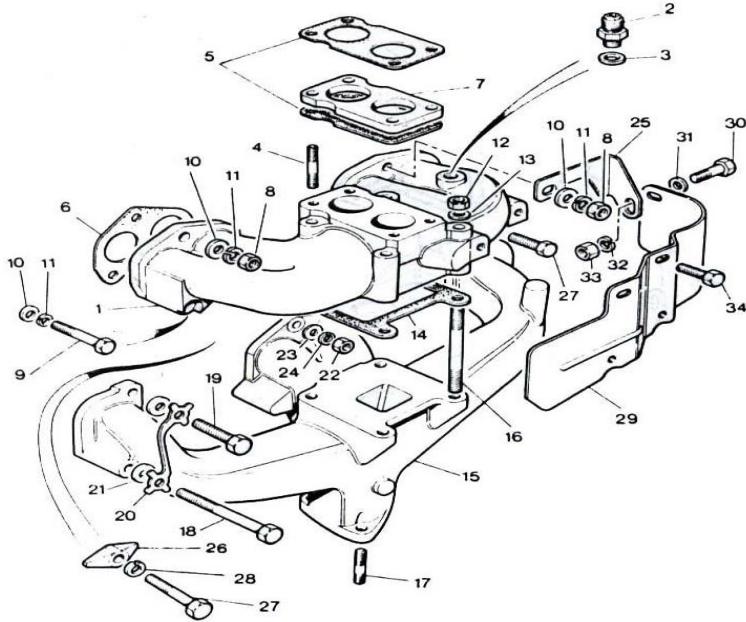
### MOTOR-KULBUTOR KAPAĞI-2,5 BENZİNLİ

RES. NO	PARÇA NO	NATO STOK NO	MALZEMENİN ADI	MALZEMENİN YABANCI ADI	KOMP. MİK.	DAG. BİRİMİ
1	ETC5955	2805-99-724-5823	Külbütör Kapağı	Rocker Cover	1	ADET
2	ETC6439	2805-99-772-7150	Conta	Joint Washer, cover to head	1	ADET
3	ERC9220	5310-99-798-9672	Somun Özel	Domed Nut	3	ADET
4	273069	5310-99-895-2066	Conta Pul	Sealing Washer	3	ADET
5	ERR1454	2815-99-839-5426	Süzgeçli Havalandırma	Breather Silencer Assembly	1	ADET
6	ERC8049	2815-99-839-5427	O-Ring Havalandırma	O-Ring Breather	1	ADET
7	ERC6200		T-Bağlantı	Tee Piece	1	ADET
8	ERC9032		Hortum-Dirsekten Rakora	Hose-Tee Piece to Elbow	1	ADET
9	ERC9031		Hortum-Külbütörden Rakora	Hose-Rocker to Tee Piece	1	ADET
10	CN100208L	4730-99-152-4901	Kelepçe	Clip-Hose	4	ADET
11	CN100148L		Kelepçe	Clip-Hose	1	ADET
12	ERC9033		Hortum-Rakordan Karbüratöre	Hose-Tee Pieceto Carb	1	ADET



LAND ROVER 110 YEDEK PARÇALARI

MOTOR-MANİFOLDLAR-2,5 BENZİNLİ  
ENGINE-MANIFOLDS-2,5 PETROL



1-22

MOTOR, VOLAN, DEBRİYAJ, ENGINE, FLYWHEEL, CLUTCH

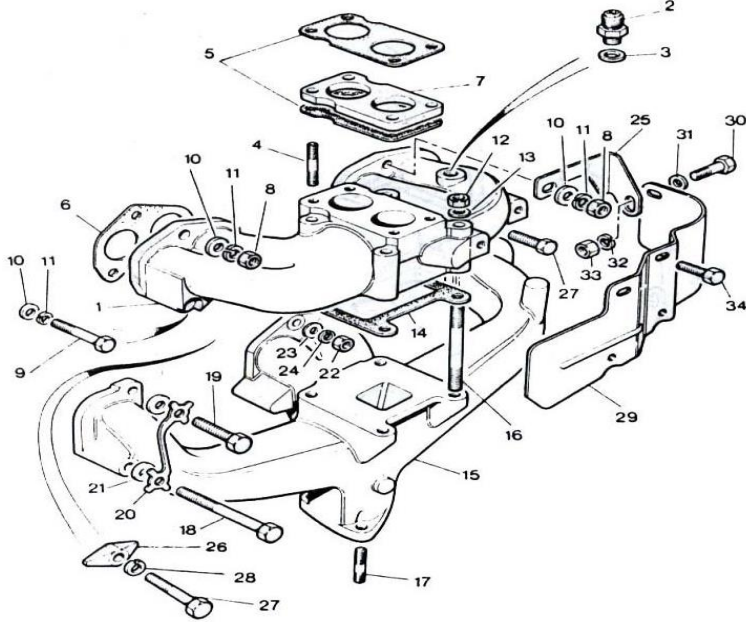
RES. NO	PARÇA NO	NATO STOK NO	MALZEMENİN ADI	MALZEMENİN YABANCI ADI	KOMP. MİK.	DAG. BİRİMİ
1	ERC9069	2910-99-788-7726	Emme Manifoldu	Inlet Manifold	1	ADET
2	513171	4730-99-809-1588	Servo Adaptörü	Adaptor Servo	1	ADET
3	243958	5330-99-850-0344	Pul	Joint Washer	1	ADET
4	TE108081L	5307-99-977-3489	Saplama-Karbüratör Emme Arası	Stud-Carbtolnlet Manifold	4	ADET
	71A00-80203-AA	5310-27-006-2774	Somun-Karbüratör Emme Arası	Nut-Carbtolnlet Manifold	4	ADET
	11000-80302-AA	5310-27-006-2928	Rondela-Karbüratör Emme Arası	Spring Washer-Carbtoln. Man.	4	ADET
5	ERC8645	5330-99-725-6991	Somun-Karbüratör Emme Arası	Joint Washer-Carb to Manifold	2	ADET
6	564307	5330-99-804-7840	Conta-Manifold Kafa Arası	Joint Washer-Manifold to Head	2	ADET
7	ERC8460	5330-99-788-7722	Ara Parça	Packing Piece	1	ADET
8	71A00-80203-AA	5310-27-006-2774	Somun-Manifold Kafa Arası	Nut Manifold to Head	2	ADET
9	14C01-80103-AA	5305-99-122-5256	Civata-Manifold Kafa Arası	Bolt-Manifold to Head	2	ADET
10	587405	5310-99-941-8623	Pul-Manifold Kafa Arası	Washer-Manifold to Head	4	ADET
11	11000-80302-AA	5310-27-006-2928	Rondela-Manifold Kafa Arası	Spring Washer-Man.to Head	4	ADET
12	71A00-80203-AA	5310-27-006-2774	Somun-Manifoldlar Arası	Nut-Manifold to Manifold	4	ADET
13	71A00-80324-AA	5310-99-122-6475	Pul, Manifoldlar Arası	Washer-Manifold to Head	4	ADET
14	ERC8124	5330-99-725-6992	Conta-Manifoldlar Arası	Joint Washer-Manifold to Manifold	1	ADET
15	ETC5330	2805-99-562-3449	Egzost Manifoldu	Exhaust Manifold	1	ADET
16	TE108131L	5307-99-725-6993	Saplama-Manifoldlar Arası	Stud-Manifold to Manifold	4	ADET
17	AFU1848L	5307-99-725-6990	Saplama-Egzost Borusu	Stud-Exhaust Pipe	3	ADET
18	11000-80025-AA		Civata-Manifolttan Kafaya	Bolt-Manifold to Head	2	ADET
19	11000-80019-AA	5306-27-006-2706	Civata-Manifoldtan Kafaya	Bolt-Manifold to Head	2	ADET
20	596490	2805-99-824-8722	Kilittli Plaka	Locking Plate-Manifold to Head	2	ADET
21	587405	5310-99-941-8623	Pul-Manifoldu Gövdeye	Washer-Manifold to Head	4	ADET
22	71A00-80203-AA	5310-27-006-2774	Somun-Merkez Flanjı Kafaya	Nut-Centre Flange to Head	1	ADET

LAND ROVER 110 YEDEK PARÇALARI

1-23

MOTOR, VOLAN, DEBRİYAJ, ENGINE, FLYWHEEL, CLUTCH

**MOTOR-MANİFOLDLAR-2,5 BENZİNLİ  
ENGINE-MANIFOLDS-2,5 PETROL**



RES. NO	PARÇA NO	NATO STOK NO	MALZEMENİN ADI	MALZEMENİN YABANCI ADI	KOMP. MİK.	DAG. BİRİMİ
23	587405	5310-99-941-8623	Pul-Merkez Flanji Kafaya	Washer-Centre Flange to Head	1	ADET
24	11000-80302-AA	5310-27-006-2928	Rondela-Merkez Flanji Kafaya	Spring Washer-Centre Flangeto	1	ADET
25	ETC5040		Isı Kalkanı Braketi	Bracket-Heat Shield	1	ADET
26	564308	2805-99-813-4209	Kelepçe-Manifoldu Kafaya	Clamp-Manifold to Head	2	ADET
27	11000-80025-AA		Civata-Manifoldu Kafaya	Bolt-Manifold to Head	2	ADET
28	11000-80302-AA	5310-27-006-2928	Rondela-Manifoldu Kafaya	Spring Washer-Manifold to Head	2	ADET
29	ERC8712	2990-99-788-7723	IsıKalkanı-Egzost Manifoldta	Shield-Exhaust Manifold	1	ADET
30	11000-80016-AA	5306-27-006-2703	Civata-Kalkanı Manifoldta	Bolt-Shield to Manifold	1	ADET
31	71A00-80324-AA	5310-99-122-6475	Pul, Manifoldlar Arası	Washer-Manifold to Head	4	ADET
32	11000-80302-AA	5310-27-006-2928	Rondela-Kalkanı Manifoldta	Spring Washer-Shield to Manifol	3	ADET
33	71A00-80203-AA	5310-27-006-2774	Somun-Kalkanı Manifoldta	Nut-Shield to Manifold	1	ADET
34	73B00-80036-AA		Civata-Kalkanı Manifoldta	Screw-Shield to Manifold	2	ADET
	ERC8722	5305-99-788-7724	Civata-Kalkanı Manifoldta	Bolt-Shield to Manifold	2	ADET

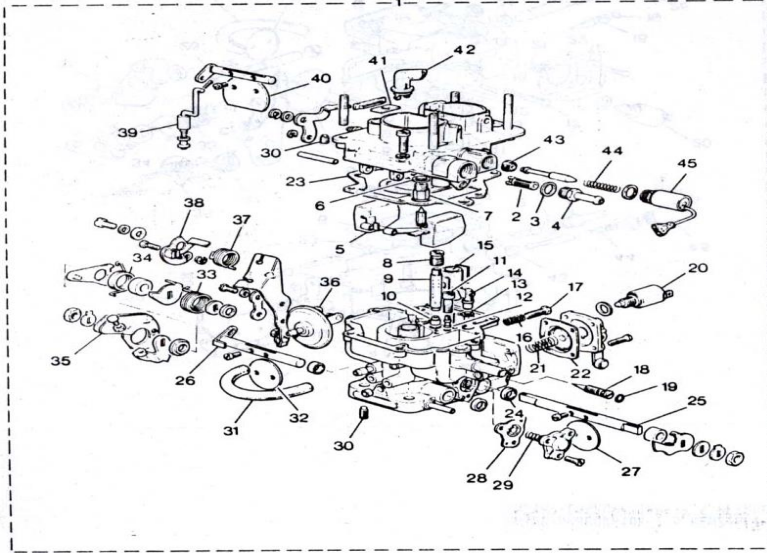
**LAND ROVER 110 YEDEK PARÇALARI**

**1-24**

**MOTOR, VOLAN, DEBRİYAJ, ENGINE, FLYWHEEL, CLUTCH**

**MOTOR-KARBURATÖR-2,5 BENZİNLİ**

RES. NO	PARÇA NO	NATO STOK NO	MALZEMENİN ADI	MALZEMENİN YABANCI ADI	KOMP. MİK.	DAG. BİRİMİ
1	ETC6350	2910-99-665-0425	Çift Boğazlı Karbüratör	Carburetter-Twin Choke	1	ADET
	ETC7144		Çift Boğazlı Karbüratör	Carburetter-Twin Choke	1	ADET
2	RTC4421		Filtre	Filter	1	ADET
3	RTC4420		Pul	Washer	1	ADET
4	RTC4419		Yakıt Girişi	Fuellnlet	1	ADET



5	AEU2583		Şamandıra	Float	1	ADET
6	RTC4896		Sübab Contası	Gasket-Needle Valve	1	ADET
7	AEU2584	2910-99-453-5376	İğne	Needle Valve	1	ADET
8	AEU2565		Hava Memesi (Ana)	AirCorrection Jet-Primery	1	ADET
	RTC4858		Hava Memesi (Yardımcı)	AirCorrection Jet-Secondary	1	ADET
9	AEU2566		Köpürtme Borusu (Ana)	Emulsion Tube-Primary	1	ADET
	RTC4857		Köpürtme Borusu (Yardımcı)	Emulsion Tube-Secondary	1	ADET
10	RTC4852		Ana Meme	Main Jet-Primary & Secondary	2	ADET
11	AEU2582		Rölanti Memesi Yatağı	Idle Jet Holder	1	ADET
12	RTC4849		Rölanti Memesi (Ana)	Idle Jet-(Primary)	1	ADET
	AEU2580		Rölanti Memesi (Yardımcı)	Idle Jet-Secondary	1	ADET
13	RTC4897		O-Ring	O'Ring	1	ADET
14	AEU2578		Kapış Pompa Memesi	Pump Jet	1	ADET
15	AEU2585		Yardımcı Venturi (Ana)	Auxiliary Venturi(PRI)	1	ADET
	RTC4859		Yardımcı Venturi (İkinci)	Auxiliary Venturi(SEC)	1	ADET
16	AEU2577		Yay-Ralanti Ayar Vidası	Spring-Idle Speed Screw	1	ADET
17	RTC4898		Rölanti Ayar Vidası	Idle Speed Screw	1	ADET
18	RTC4899		Rölanti Karışım Civatası	Idle Mixture Screw	1	ADET
19	RTC4900	2910-99-453-5376	O'Ring	O'Ring-Mixture Screw	1	ADET
20	RTC4850	2920-99-251-3152	Selenoid	Solenoid-Idle Cut Off	1	ADET
21	AEU2575		Kapış Pompa Yayı	Pump Spring	1	ADET
22	RTC4901	2910-99-453-5376	Kapış Pompa Diyaframı	Pump Diaphragm	1	ADET
23	RTC5863		Üst Kapak Contası	Top Cover Gasket	1	ADET

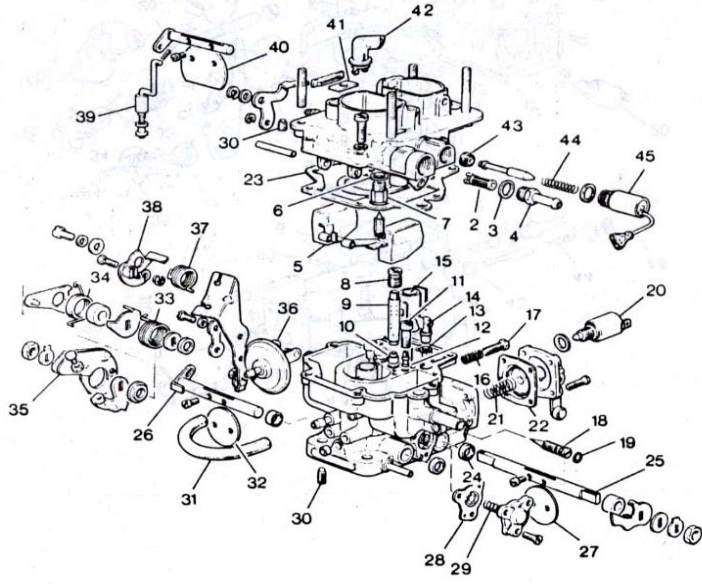
NOT1:Motor No 17H08822C'ya kadar.

NOT2:Motor No 17H08823C'den itibaren.

## LAND ROVER 110 YEDEK PARÇALARI

### MOTOR-KARBURATÖR-2,5 BENZİNLİ ENGINE-CARBURETTERS-2,5 PETROL

1-25		MOTOR, VOLAN, DEBRİYAJ, ENGINE, FLYWHEEL, CLUTCH				
RES. NO	PARÇA NO	NATO STOK NO	MALZEMENİN ADI	MALZEMENİN YABANCI ADI	KOMP. MİK.	DAG. BİRİMİ
24	RTC4903		Mil Contası	Shaft Seal	3	ADET
25	AEU2573		Ana Mil	Primary Shaft	1	ADET
26	AEU2570		Yardımcı Mil	Segondary Shaft	1	ADET
27	AEU2574		Gaz Kelebeği	Throttle Plate	1	ADET
28	RTC4860		Güç Diyaframı Yayı	Power Vale Diaphragm	1	ADET
29	RTC4851		Güç Valfi Yayı	Power Valve Spring	1	ADET
30	AEU2579		Ayar Civatası	Screw-Secondary Adjusting	1	ADET
	AEU2579		Civata-Jikle Ayar	Screw-Choke Setting	1	ADET
31	RTC4904		Boru	Tube	1	ADET
32	AEU2571		Gaz Kelebeği	Throttle Plste	1	ADET
33	AEU2569		Yay	Spring	1	ADET

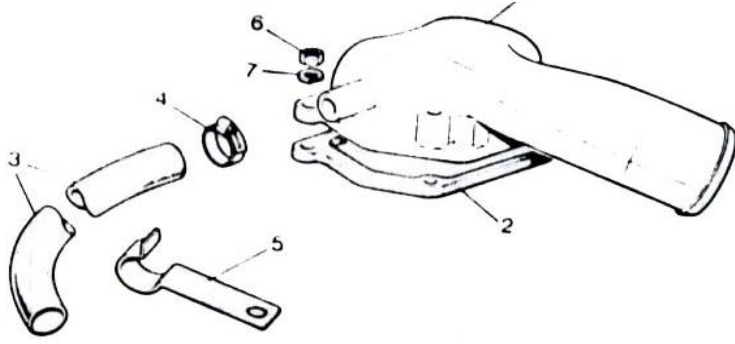


34	AEU2564		Yay	Spring	1	ADET
35	RTC4853		Gaz Kolu	Throttle Lever	1	ADET
36	AEU2560		Aşağı Çekiş Kapsülü	Pull Down Capsule	1	ADET
37	AEU2564		Yüksek Rölanti Kamı	Spring Fastidle Cam	1	ADET
38	AEU2563		Yüksek Rölanti Kamı	Fastidle Cam	1	ADET
39	AEU2562		Jikle Çubuğu	Choke Link	1	ADET
40	AEU2558		Jikle Kelebeği	Choke Plate	1	ADET
41	RTC4906		Toz Contası	Dust Seal	1	ADET
42	RTC4861	2520-99-251-3153	Dirsek	Vent Elbow	1	ADET
43	RTC3665		Valf Contası	Valve Seal	1	ADET
44	RTC4908		Yay	Spring	1	ADET
45	RTC3663	2920-99-251-8652	Selenoid	Solenoid	1	ADET
	RTC5970		Onarım Seti	Repair Kit	1	ADET
	RTC5863		Bakım Takımı	Overhaul Kit	1	ADET

### LAND ROVER 110 YEDEK PARÇALARI

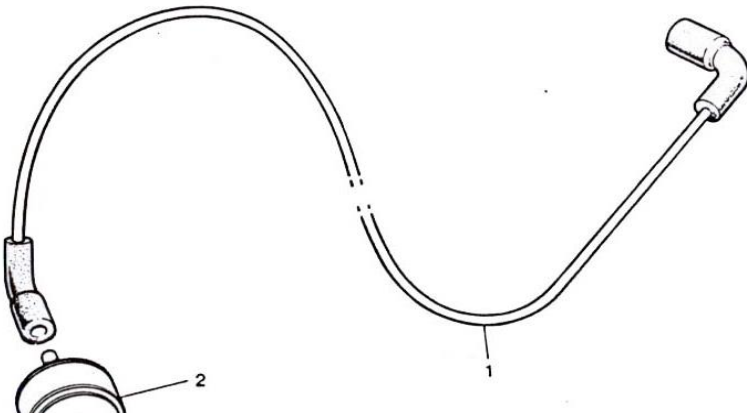
#### MOTOR-KARBURATÖR BAĞLANTILARI-2,5 BENZİNLİ ENGINE-CARBURETTERS FIXINGS-2,5 PETROL

1-26		MOTOR, VOLAN, DEBRİYAJ, ENGINE, FLYWHEEL, CLUTCH				
RES. NO	PARÇA NO	NATO STOK NO	MALZEMENİN ADI	MALZEMENİN YABANCI ADI	KOMP. MİK.	DAG. BİRİMİ
1	ERR539	2990-99-783-4093	Hava-Emiş Dirseği	AirInlet Elbow	1	ADET
2	ERC7922	5330-99-721-4361	Conta-Dirsek	Gasket-Elbow	1	ADET
3	ERC298	4720-99-831-7322	Hortum-Havalandırma	Hose-carburettervent	1	ADET
4	AAU1979-LD		Kelepçe	Hose Clip	1	ADET
5	ETC4959		Kelepçe	Hose Clip	1	ADET
6	71A00-80200-AA	5310-27-006-2771	Somun,Karbüratörü Manifolda	Nut	4	ADET
7	11000-80300-AA	5310-27-006-2926	Pul-Karbüratörü Manifolda	Washer-Carbto Manifold	4	ADET



### LAND ROVER 110 YEDEK PARÇALARI

**MOTOR-VAKUM BORULARI-KARBURATÖR-2,5  
BENZİNLİ  
ENGINE-VACUUM PIPES-CARBURETTER-2,5 PETROL**

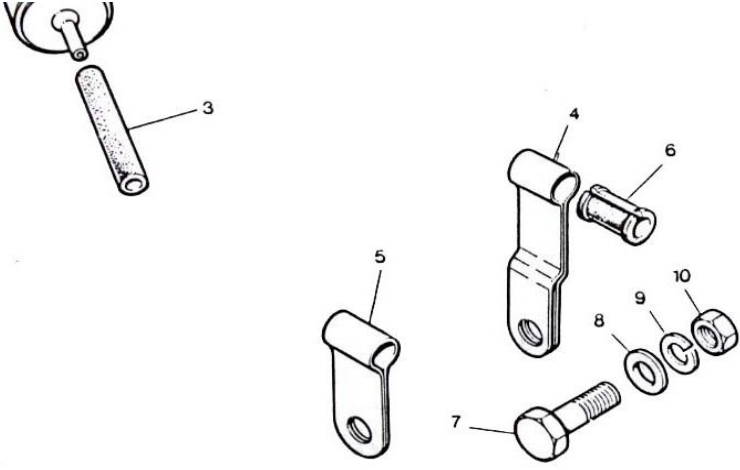


1-27

### MOTOR, VOLAN, DEBRİYAJ, ENGINE, FLYWHEEL, CLUTCH

RES. NO	PARÇA NO	NATO STOK NO	MALZEMENİN ADI	MALZEMENİN YABANCI ADI	KOMP. MİK.	DAG. BİRİMİ
1	ERC9294		Boru Kompleksi-Vakum Avanslı	Pipe Assembly-Vacuum Advance	1	ADET
2	ERC8119	2990-99-767-8390	Vakum Geciktirici Valf	Valve-Vacuum Delay	1	ADET
3	ERC6996	4720-99-767-8391	Hortum-Distribütörden Geciktirici Valf	Hose-Distributor to Delay Valve	1	ADET
4	512646	5340-99-804-6531	Boru Kelepçesi	Pipe Clip	1	ADET
5	214228	5340-99-850-0510	Boru Kelepçesi	Pipe Clip	1	ADET
6	214229	5325-99-850-0563	Grommet Kelepçe	Grommet Clip	2	ADET
7	SH604051L	5305-99-941-0512	Vida	Screw	1	ADET
8	RTC609	5310-99-120-4032	Pul	Washer	1	ADET
9	WM60041L		Yaylı Rondela	Spring Washer	1	ADET
10	NH604041L	5310-99-804-7941	Somun	Nut	1	ADET





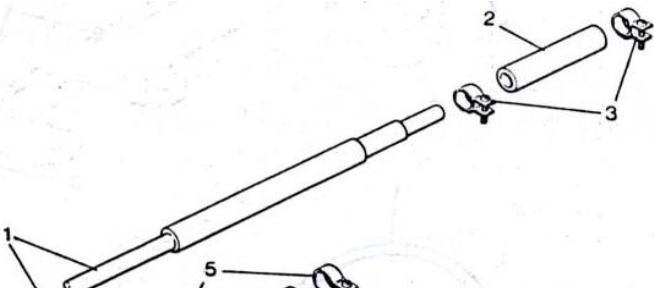
### LAND ROVER 110 YEDEK PARÇALARI

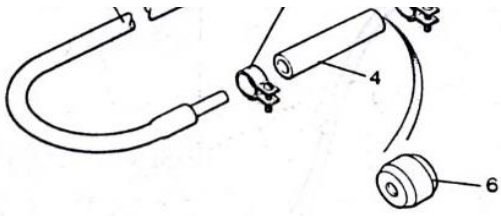
1-28

### MOTOR, VOLAN, DEBRİYAJ, ENGINE, FLYWHEEL, CLUTCH

### MOTOR-YAKIT BORULARI-2,5 BENZİNLİ ENGINE-FUEL PIPES-2,5 PETROL

RES. NO	PARÇA NO	NATO STOK NO	MALZEMENİN ADI	MALZEMENİN YABANCI ADI	KOMP. MİK.	DAĞ. BİRİMİ
1	ETC5027	2910-99-788-7744	Yakıt Borusu Komitesi	Fuel Pipe Assembly	1	ADET
2	ETC6155	2910-99-788-7760	Yakıt Borusu Bağlantı Hortumu	Connector Hose-Fuel Pipe	1	ADET
3	ERC32151		Bağlantı Hortumu Kelepçesi	Hose Clip-Connector	2	ADET
4	ETC6156	2910-99-788-7761	Yakıt Borusu Bağlantı Hortumu	Connector Hose-Fuel Pipe	1	ADET
5	ERC32151		Bağlantı Hortumu Kelepçesi	Hose Clip-Connector	2	ADET
6	ETC6243	4730-99-788-7762	Ayarlayıcı	Restrictor	1	ADET





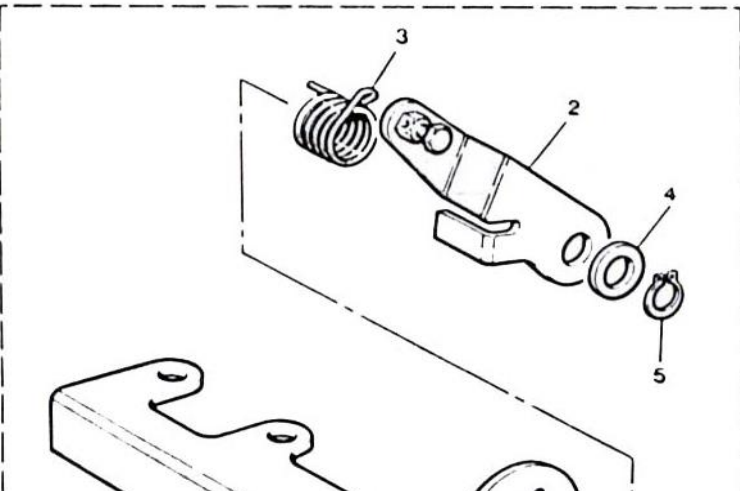
**LAND ROVER 110 YEDEK PARÇALARI**

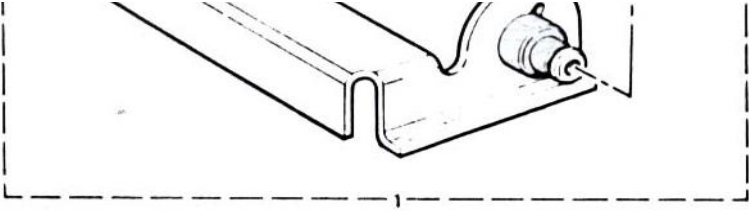
**1-29**

**MOTOR, VOLAN, DEBRİYAJ, ENGINE, FLYWHEEL, CLUTCH**

**MOTOR-EL GAZI-2,5 BENZİNLİ  
ENGINE-HAND THROTTLE-2,5 PETROL**

RES. NO	PARÇA NO	NATO STOK NO	MALZEMENİN ADI	MALZEMENİN YABANCI ADI	KOMP. MİK.	DAĞ. BİRİMİ
1	ERC9708		El Gazı Kolu Bağlantı Braketi Kompleksi	Bracket Assy-Hand Throttle	1	ADET
2	ERC9693		El Gazı Kolu Kompleksi	Lever Assembly-Hand Throttle	1	ADET
3	ERC9704	5360-99-641-8026	El Gazı Kolu Yayı	Spring-Lever Hand Throttle	1	ADET
4	WB600071L	5310-99-108-4932	Düz Pul	Plain Washer	1	ADET
5	CR120115L		Segman	Circlip	1	ADET





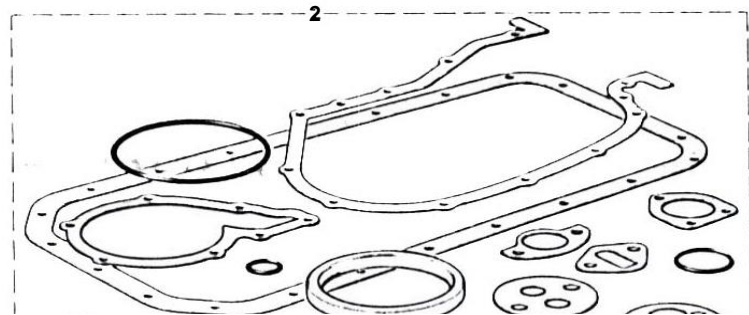
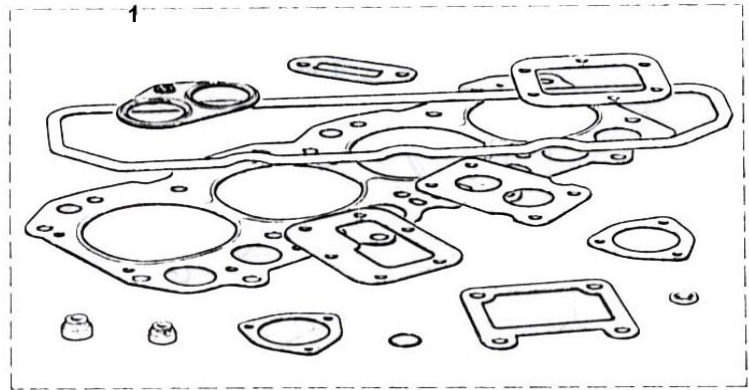
### LAND ROVER 110 YEDEK PARÇALARI

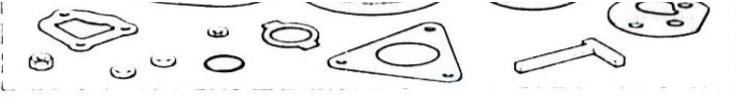
1-30

### MOTOR, VOLAN, DEBRİYAJ, ENGINE, FLYWHEEL, CLUTCH

#### MOTOR-CONTA SETİ-2,5 BENZİNLİ

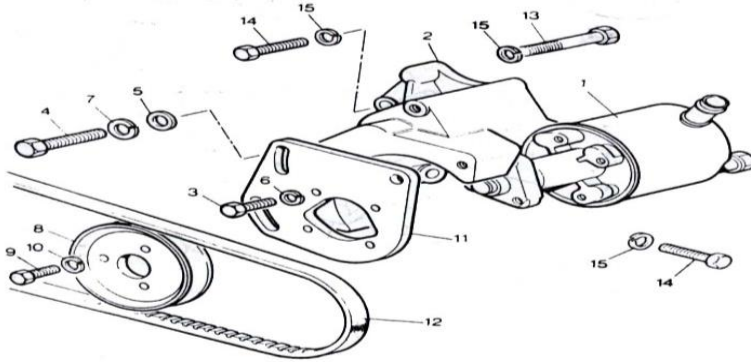
RES. NO	PARÇA NO	NATO STOK NO	MALZEMENİN ADI	MALZEMENİN YABANCI ADI	KOMP. Mik.	DAG. Birimi
1	RTC2889	2805-99-794-0391	Üst Conta Takımı	Gasketand Seals Kit	1	ADET
2	RTC2890		Alt Conta Takımı	Gasketand Seals Kit	1	ADET





## LAND ROVER 110 YEDEK PARÇALARI

### MOTOR-TAKVİYELİ DİREKSİYON POMPASI-2,5 BENZİNLİ ENGINE-POWER STEERING PUMP-2,5 PETROL



1-31

## MOTOR, VOLAN, DEBRİYAJ, ENGINE, FLYWHEEL, CLUTCH

RES. NO	PARÇA NO	NATO STOK NO	MALZEMENİN ADI	MALZEMENİN YABANCI ADI	KOMP. MİK.	DAG. BİRİMİ
1	ETC9077	2530-99-745-5173	Takviyeli Direksiyon Pompası	Power Steering Pump	1	ADET
	RTC5674		Banjo	Banjo	1	ADET
	RTC5675		Sızdırmazlık Pulu	Sealing Washer	1	ADET
1	ERR522		Takviyeli Direksiyon Pompası	Power Steering Pump	1	ADET
	NTC8287		Takviyeli Direksiyon Pompası	Power Steering Pump	1	ADET
2	ERC6974		Braket, Pompamontaj	Bracket-Mounting Pump	1	ADET
	ETC8854		Braket-PompaMontaj	Bracket-Mounting Pump	1	ADET
3	11000-80008-AA	5306-27-006-2700	Civata-Pompadan Brakete	Bolt-Pumpto Bracket	4	ADET
4	11000-80017-AA	5306-27-006-2704	Civata-Pompadan Brakete	Bolt-Pumpto Bracket	3	ADET
5	71A00-80324-AA	5310-99-122-6475	Pul, Pompadan Brakete	Washer,Pumpto Bracket	2	ADET
6	11000-80301-AA	5310-27-006-2927	Yaylı Rondela-Pompadan Brakete	Spring Washer-Pumpto Bracket (WL106001)	4	ADET
7	11000-80302-AA	5310-27-006-2928	Yaylı Rondela-Pompadan Brakete	Spring Washer-Pumpto Bracket (WL108001)	3	ADET
8	ETC5783		Kasnak-Takviyeli Direksiyon Pompası	Pulley-Power Steering Pump	1	ADET
9	73B00-80036-AA		Vida, Kasnaktan Pompaya	screw, pulley to pump	3	ADET
10	11000-80302-AA	5310-27-006-2928	Yaylı Rondela	Spring Washer-P.A.SMTG.BRKT.toFront	3	ADET
11	ETC5944		Montaj Plakası	Mounting plate	1	ADET
	ERR1976		Montaj Plakası	Mounting plate	1	ADET

NOT1: Motor No:17H16300C'ye kadar  
 NOT2: Motor No:17H16300C'den itibaren  
 NOT3: Motor No:17H17000C'ye kadar  
 NOT4: Motor No:17H17000C'den itibaren  
 NOT5: NTC8287 no.lu pompa ile kullanın.

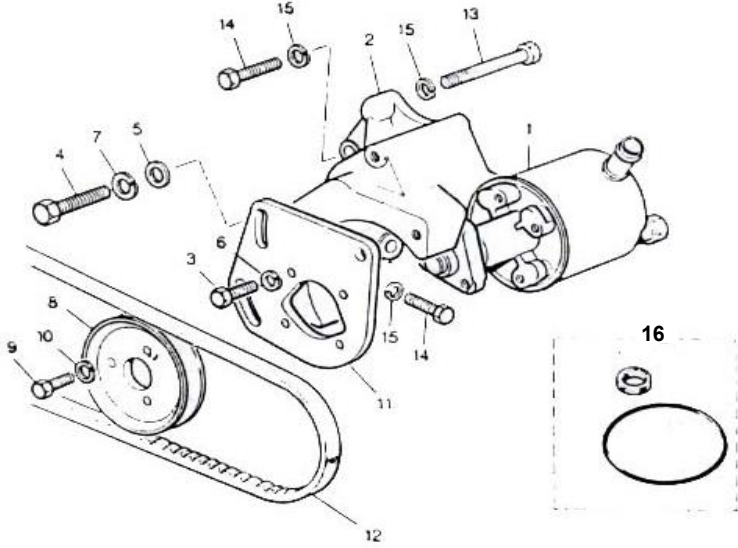
## LAND ROVER 110 YEDEK PARÇALARI

1-32

## MOTOR, VOLAN, DEBRİYAJ, ENGINE, FLYWHEEL, CLUTCH

MOTOR-TAKVİYELİ DİREKSİYON POMPASI-2,5  
BENZİNLİ  
ENGINE-POWER STEERING PUMP-2,5 PETROL

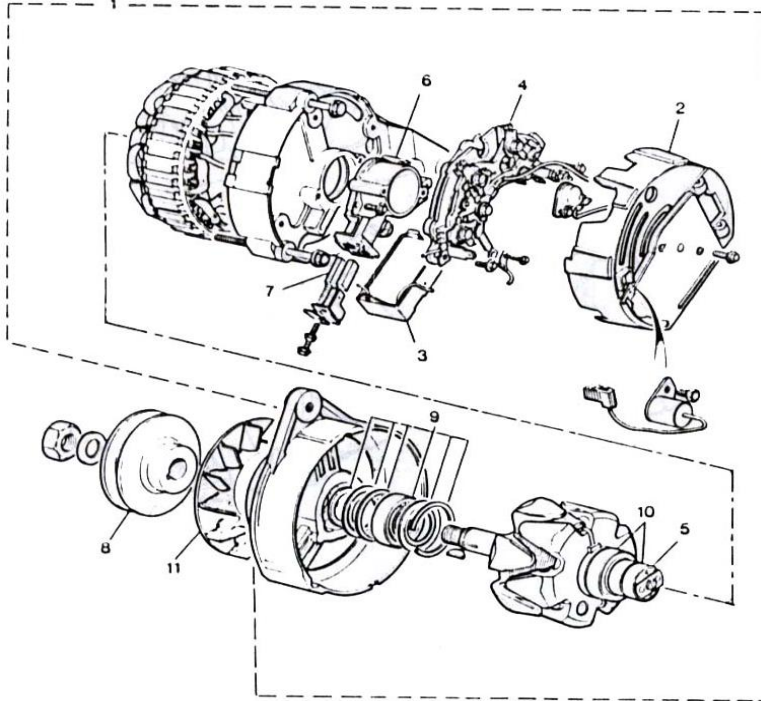
RES. NO	PARÇA NO	NATO STOK NO	MALZEMENİN ADI	MALZEMENİN YABANCI ADI	KOMP. MİK.	DAG. BİRİMİ
12	ETC5815	3030-99-547-8597	Kayış-Tak.Dir.Pompası	Belt-Power Steering Pump	1	ADET
13	11000-80095-AA	5306-27-006-2686	Civata	Bolt-P.A.SMTG. Brac.to Front	1	ADET
14	11000-80017-AA	5306-27-006-2704	Civata	Bolt-P.A.SMTG.BRKT .tofront (SH108251)	2	ADET
	11000-80019-AA	5306-27-006-2706	Civata	Bolt-P.A.SMTG.BRKT. tofront	1	ADET
15	11000-80302-AA	5310-27-006-2928	Yaylı Rondela	Spring Washer	4	ADET
16	RTC5935	2910-99-657-6339	Conta Takımı	Seal Kit	1	ADET



## LAND ROVER 110 YEDEK PARÇALARI

1-33

## MOTOR, VOLAN, DEBRİYAJ, ENGINE, FLYWHEEL, CLUTCH

**MOTOR-ALTERNATOR-2,5 BENZİNLİ**

RES. NO	PARÇA NO	NATO STOK NO	MALZEMENİN ADI	MALZEMENİN YABANCI ADI	KOMP. MİK.	DAG. BİRİMİ
1	RTC5083E	2920-99-664-6722	ALTERNATÖR A115/45 AMP.	ALTERNATOR A115/45 AMP.	1	ADET
2	AEU2507	2920-99-731-5524	Kapak	Cover	1	ADET
3	AEU3076	2920-99-721-3715	Regülatör	Regulator	1	ADET
4	BAU1825	2920-99-767-5555	Doğrultucu	Rectifier	1	ADET
5	BAU2193	2920-99-767-1826	Yatak	Slip Ring	1	ADET
6	BAU2195	2920-99-731-5527	Kömür Kutusu	Brush Box	1	ADET
7	RTC3215	2920-99-767-1827	Kömür Takımı	Brush Set	1	ADET
8	568788	3020-99-825-8977	Kasnak	Pulley	1	ADET
9	18G8619L	2920-99-839-0488	Rulman Seti-Tahrik Ucu	Kit-Bearing-Drive End	1	ADET
10	AEU1532	2920-99-767-1825	Yatak Ucu ve Rulman Seti	Kit-Slip Ring and Bearing	1	ADET
11	C37222L	6150-99-827-7298	Pervane	Fan	1	ADET
	AEU1706		Vida Seti	Kit-Screw	1	ADET
	AEU1710	2920-99-792-9321	Çeşitli Parçalar Seti	Kit-Sundry Parts	1	ADET
	AEU1942		Mesafe Burcu Seti	Kit-Spacer	1	ADET

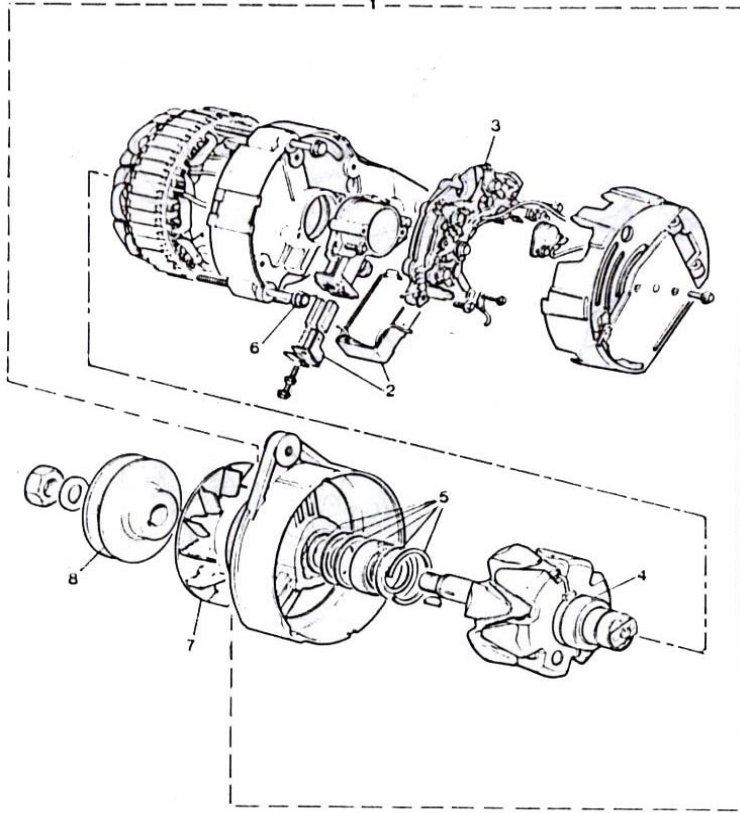
NOT:Revizyonlu Alternatordur.

**LAND ROVER 110 YEDEK PARÇALARI**

1-34

**MOTOR, VOLAN, DEBRİYAJ, ENGINE, FLYWHEEL, CLUTCH****MOTOR-ALTERNATOR-2,5 BENZİNLİ**

RES. NO	PARÇA NO	NATO STOK NO	MALZEMENİN ADI	MALZEMENİN YABANCI ADI	KOMP. MİK.	DAG. BİRİMİ
1	RTC5682N	2920-99-789-4130	ALTERNATÖR A127/45 AMP.	ALTERNATOR A127/45 AMP.	1	ADET



2	RTC5670	2920-99-764-4600	Regülatör ve Kömür Kutusu Komp.	Regulatorand Brush Box Assy	1	ADET
3	RTC5684	2920-99-789-4132	Doğrultucu	Rectifier	1	ADET
4	RTC5926	3110-99-789-4135	Rulman-YatakUcu	Bearing-Slip End	1	ADET
5	RTC5687	2920-99-789-4133	Braket ve Rulman-Tahrik Ucu	Bracketand Bearing-Drive End	1	ADET
6	RTC5925	2920-99-789-4136	Cıvata Seti	Kit-Through Bolts	1	ADET
7	RTC5685	2920-99-789-4139	Pervane	Fan	1	ADET
8	RTC5686	3020-99-789-4140	Kasnak	Pulley	1	ADET
	RTC5689	5365-99-789-4141	Mesafe Burcu-Kasnak	Spacer-Pulley	1	ADET

NOT:Pervane ve kasnak hariç.

### LAND ROVER 110 YEDEK PARÇALARI

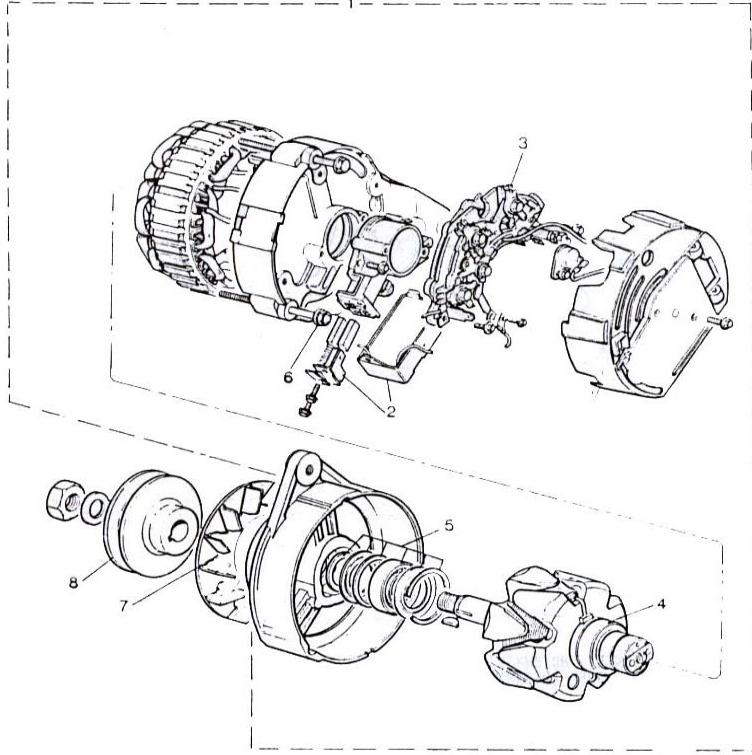
1-35

### MOTOR, VOLAN, DEBRİYAJ, ENGINE, FLYWHEEL, CLUTCH

**MOTOR-ALTERNATOR-2,5 BENZİNLİ-YÜKSEK VERİM OPSİYONLARI İÇİN  
ENGINE-ALTERNATOR-2,5 PETROL-HIGH OUT PUT**

RES. NO	PARÇA NO	NATO STOK NO	MALZEMENİN ADI	MALZEMENİN YABANCI ADI	KOMP. MİK.	DAG. BİRİMİ
1	RTC5680N	2920-99-538-0407	Alternatör A127/65 AMP.	Alternator A127/65 AMP	1	ADET
2	RTC5670	2920-99-764-4600	Regülatör ve Kömür Kutusu Komp.	Regulatorand Brush Box Assy	1	ADET
3	RTC5671	2920-99-790-1397	Doğrultucu	Rectifier	1	ADET
4	RTC5926	3110-99-789-4135	Rulman-Yatak Ucu	Bearing-Slip End	1	ADET

5	RTC5687	2920-99-789-4133	Braket ve Rulman-Tahrik Ucu	Bracket and Bearing-Drive End	1	ADET
6	RTC5925	2920-99-789-4136	Cıvata Seti	Kit-Through Bolts	1	ADET
7	AAU2249		Pervane	Fan	1	ADET
8	RTC5686	3020-99-789-4140	Kasnak	Pulley	1	ADET
	RTC5689	5365-99-789-4141	Mesafe Burcu-Kasnak	Spacer-Pulley	1	ADET



NOT:Pervane ve kasnak hariç.

### LAND ROVER 110 YEDEK PARÇALARI

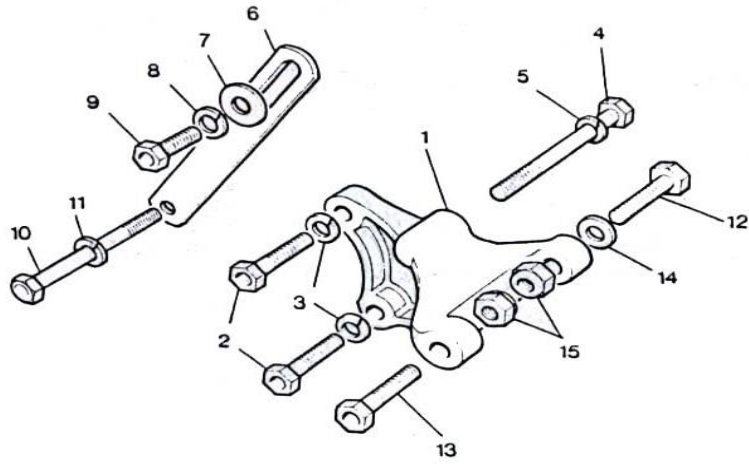
1-36

### MOTOR, VOLAN, DEBRİYAJ, ENGINE, FLYWHEEL, CLUTCH

### MOTOR-ALTERNATOR BAĞLANTILARI-2,5 BENZİNLİ ENGINE-ALTERNATOR FIXINGS-2,5 PETROL

RES. NO	PARÇA NO	NATO STOK NO	MALZEMENİN ADI	MALZEMENİN YABANCI ADI	KOMP. MİK.	DAG. BİRİMİ
1	ETC4357	2920-99-725-3556	Braket, Alternatör	Bracket-Mounting	1	ADET
2	11000-80019-AA	5306-27-006-2706	Vida-Braketten Bloğa	Bolt-Bracket to Block	2	ADET
3	11000-80302-AA	5310-27-006-2928	Yaylı Rondela	Spring Washer-Brack .to Block	2	ADET
4	11000-80026-AA	5305-99-122-5261	Cıvata-Braketten Bloğa	Bolt-Bracket to Block (BH108161)	1	ADET
5	11000-80302-AA	5310-27-006-2928	Yaylı Rondela	Spring Washer-Brack.to Block	1	ADET
6	ERC5139	2815-99-735-4722	Ayarlanırlı Bağlantı	Adjusting link	1	ADET
	ERC6266	2815-99-793-5713	Ayarlanırlı Bağlantı	Adjusting Link	1	ADET





7	2266L	5310-99-137-8804	Pul-Bağlantıdan Alternatöre	Washer-Link to Alternator	1	ADET
8	11000-80302-AA	5310-27-006-2928	Yaylı Rondela-Bağlantıdan Alternatöre	Spring Washer-Link to Alt.(WL108001)	1	ADET
9	11000-80017-AA	5306-27-006-2704	Civata-Bağlantıdan Alternatöre	bolt-Link to Alternator (SH108251)	1	ADET
10	11000-80029-AA	5306-27-006-2682	Civata-Bağlantıdan Bloğa	Bolt-Link to Block (BH108201)	1	ADET
11	11000-80302-AA	5310-27-006-2928	Yaylı Rondela-Bağlantıdan Bloğa	Spring Washer-Link to Block (WL108001)	1	ADET
12	12A00-80073-AA	5305-99-122-5254	Civata-Alternatörden Brakete	Bolt-Alternator to Bracket (BH108081)	1	ADET
13	14C01-80135-AA	5305-99-122-5255	Civata-Alternatörden Brakete	Bolt-Alternator to Bracket (BH108091)	1	ADET
14	71A00-80323-AA	5310-27-006-2949	Pul-Alternatörden Brakete	Washer-Alternator to Bracket (WC108051)	1	ADET
15	14C01-80243-AA	5310-27-006-2761	Fiberli Somun-Alternatörden Brakete	Nyloc Nut-Altern.to Brack. (NY108041)	2	ADET

NOT1:A115 tip Alternatorle kullanılır.  
NOT2:A127 tip Alternatorle kullanılır.

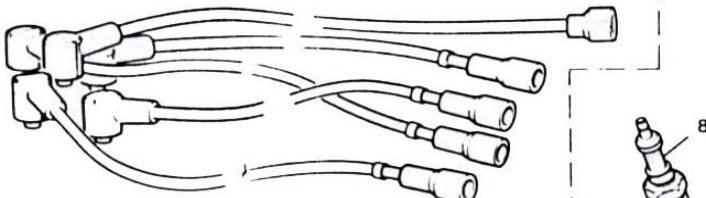
## LAND ROVER 110 YEDEK PARÇALARI

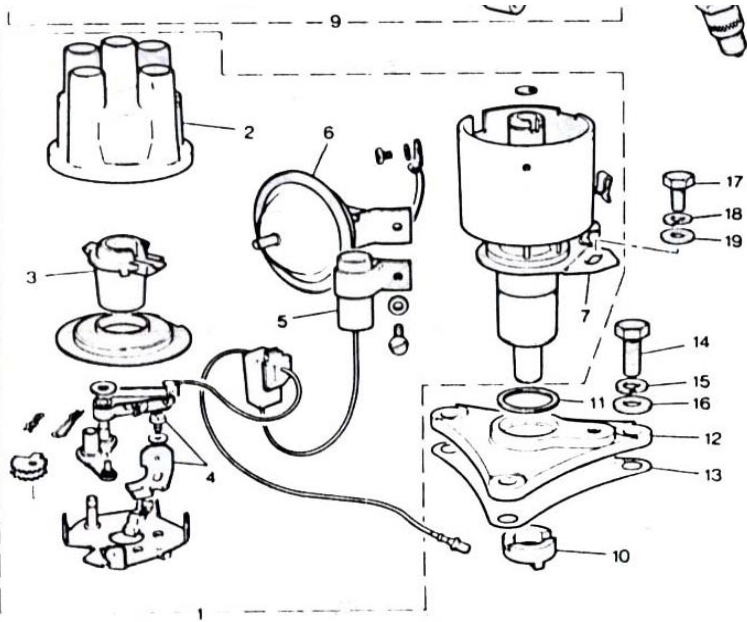
1-37

## MOTOR, VOLAN, DEBRİYAJ, ENGINE, FLYWHEEL, CLUTCH

### MOTOR-DİSTRİBÜTÖR-2,5 BENZİNLİ

RES. NO	PARÇA NO	NATO STOK NO	MALZEMENİN ADI	MALZEMENİN YABANCI ADI	KOMP. MİK.	DAG. BİRİMİ
1	ETC5835		Distribütör	Distributor	1	ADET
2	RTC3278	2920-99-828-6980	Kapak	Cap	1	ADET
3	RTC3614	2920-99-827-4151	Rotor Dirseği	Rotor Arm	1	ADET
4	RTC6627	2920-99-612-2369	Kontak Seti-Kayar Tip-2 Yıllık	Contact Set-Sliding Type-2 Year Life	1	ADET
	RTC5947		Kontak Seti-Sabit Tip-1 Yıllık	Contact Set-Fixed Type-1 Year Life	1	ADET
5	RTC3474	2920-99-836-0663	Kapasitör	Capacitor	1	ADET
6	AEU1034	2920-99-829-9526	Vakum Ünitesi	Vacuum Unit	1	ADET
7	245003	5999-99-806-5587	Sıkıştırma Plakası	Clamping plate	1	ADET
8	RTC3812	2920-99-802-4047	Buji	Sparking Plug	4	ADET
9	ERC3256	2920-99-828-9452	Ateşleme Kabloları Seti	Ignition Lead Set	1	ADET
10	549611	2920-99-874-1860	Kaplin	Drive Coupling	1	ADET
11	52278	5330-99-850-0087	Conta	Washer-Cork	1	ADET

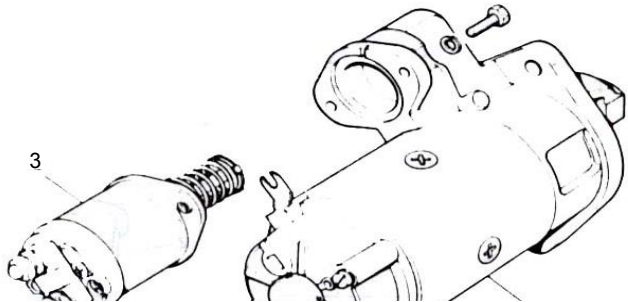




12	ETC4466	2805-99-797-9079	Adaptör	Adaptor	1	ADET
13	247212	5330-99-850-0619	Birleşme Contası	Joint Washer	1	ADET
14	11000-80016-AA	5306-27-006-2703	Civata	Screw (SH108201)	3	ADET
15	11000-80302-AA	5310-27-006-2928	Rondela	Spring Washer	3	ADET
16	71A00-80324-AA	5310-99-122-6475	Pul	Washer	3	ADET
17	11000-80007-AA	5306-27-006-2699	Civata	Screw(SH106161)	1	ADET
18	11000-80301-AA	5310-27-006-2927	Yaylı Rondela	Spring Washer	1	ADET
19	WB106041L	5310-99-122-3033	Pul	Washer	1	ADET

### LAND ROVER 110 YEDEK PARÇALARI

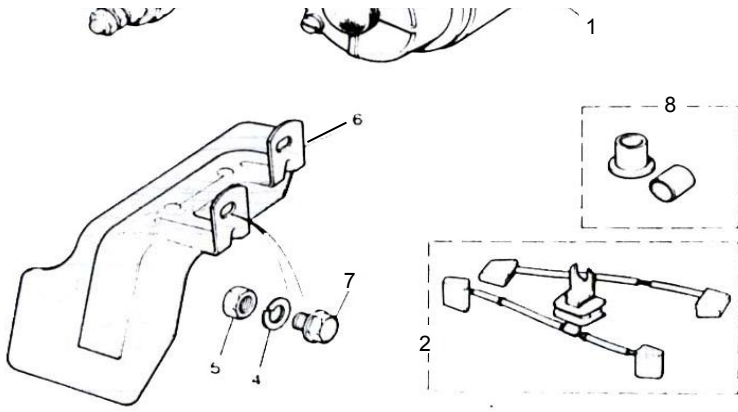
### MOTOR-MARŞ MOTORU-2,5 BENZİNLİ



### 1-38

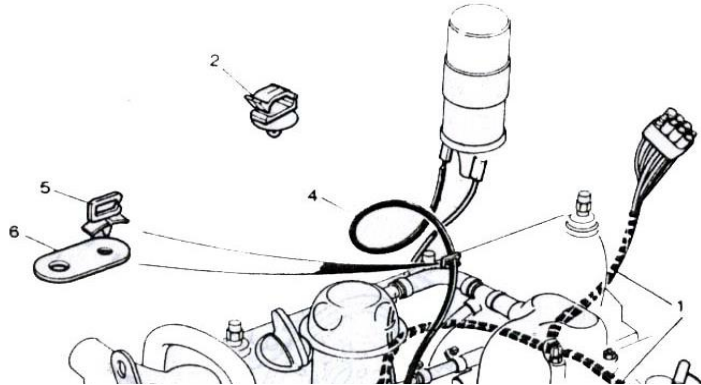
### MOTOR, VOLAN, DEBRİYAJ, ENGINE, FLYWHEEL, CLUTCH

RES. NO	PARÇA NO	NATO STOK NO	MALZEMENİN ADI	MALZEMENİN YABANCI ADI	KOMP. MİK.	DAG. BİRİMİ
1	PRC6613N	2920-99-786-7621	Marş Motoru	Starter motor	1	ADET
2	RTC5048	5977-99-793-4888	Kömür Çubuğu Seti	Brush Kit	1	ADET
3	RTC5049	2920-99-793-4899	Solenoid	Solenoid	1	ADET
4	11000-80303-AA	5310-27-006-2929	Yaylı Rondela-Marş Motoru Sabitleyicisi	Spring Washer-Fixing Starter (WL110001)	2	ADET
5	12B07-80207-AA	5310-27-006-2770	Somun-Marş Motoru Sabitleyicisi	Nut-Fixing Starter (NH110041)	2	ADET
6	ETC4133	2805-99-788-7738	Isı Kalkanı Komitesi	Heat Shield Assembly	1	ADET
7	ERC8722	5305-99-788-7724	Civata-Plakadan Egzost Çıkışına	Bold-Shield to Exhaust Manifold	2	ADET
8	RTC5563	2920-99-793-4902	Burç Seti	Kit-Bush	1	ADET
	608395	2920-99-207-5985	Tutucu Seti	Kit-Retention	1	ADET
	RTC5577	2920-99-793-4903	Çeşitli Parçalar Seti	Kit-Sundry Parts	1	ADET



### LAND ROVER 110 YEDEK PARÇALARI

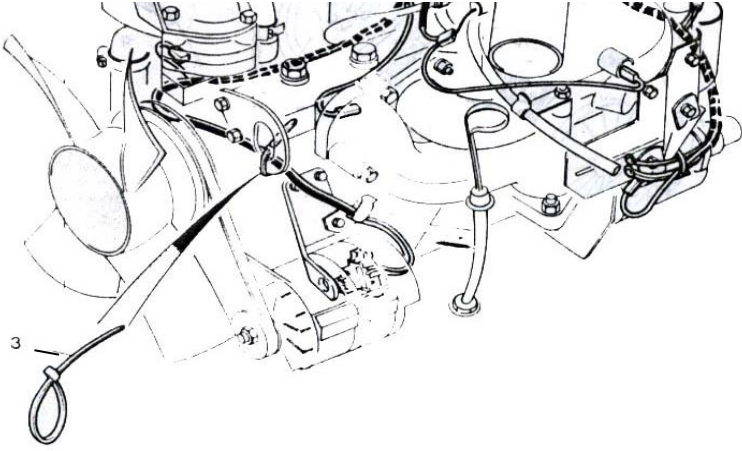
### MOTOR-ELEKTRİK AKSAMI-KABLO DONANIMI-2,5 BENZİNLİ ENGINE-ELECTRICS-HARNESS-2,5 PETROL



### 1-39

### MOTOR, VOLAN, DEBRİYAJ, ENGINE, FLYWHEEL, CLUTCH

RES. NO	PARÇA NO	NATO STOK NO	MALZEMENİN ADI	MALZEMENİN YABANCI ADI	KOMP. MİK.	DAG. BİRİMİ
1	PRC4785-LD	2590-99-729-2996	Motor Kablo Donanımı-45Amp.	Engine Harness-45Amp.	1	ADET
	PRC6080-LD	2590-99-729-2996	Motor Kablo Donanımı-45Amp.	Engine Harness-45Amp.	1	ADET
	PRC6082-L		Motor Kablo Donanımı	Engine Harness	1	ADET
	PRC4021		Motor Kablo Donanımı-65Amp.	Engine Harness-65Amp.	1	ADET
2	568680	5340-99-195-5122	Kablo Kelepçesi	Cable Clip	1	ADET
	AFU1090L	5340-99-788-7393	Kelepçe	Clip	4	ADET
3	RTC3772	5340-99-788-7393	Kablo Tutucu	Cable Cleat	2	ADET
4	PRC4376-L		Kablo-Bobinden Selenoidine	Lead-Coil to Fuel Shutoff Solenoid	1	ADET
5	PRC3702		Klip	Clip	1	
6	PRC3494		Bağlantı Plakası-Klip	Mounting Plate-Clip	1	



NOT1:Motor No 17H16000C'ye kadar.  
 NOT2:Motor No 17H16001C'den Ekim 1992'ye kadar.  
 NOT3:Ekim 1992'den itibaren.

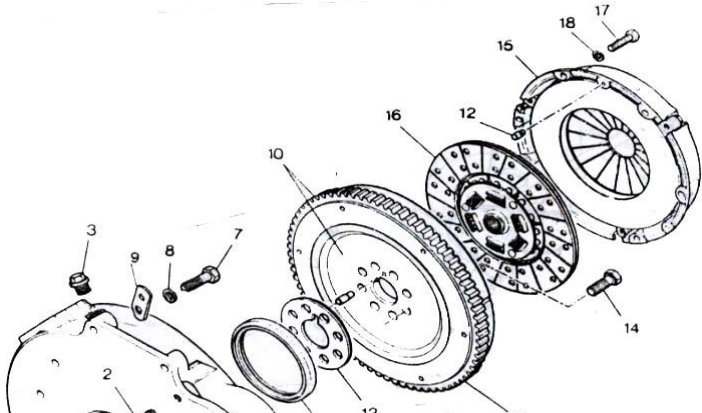
## LAND ROVER 110 YEDEK PARÇALARI

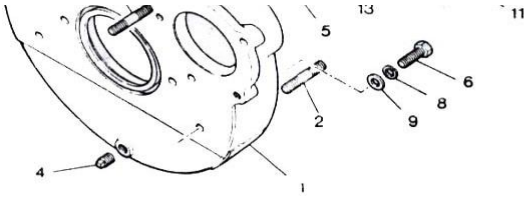
1-40

## MOTOR, VOLAN, DEBRİYAJ, ENGINE, FLYWHEEL, CLUTCH

### MOTOR-VOLAN-2,5 BENZİNLİ

RES. NO	PARÇA NO	NATO STOK NO	MALZEMENİN ADI	MALZEMENİN YABANCI ADI	KOMP. MİK.	DAĞ. BİRİMİ
1	ETC6394		Volan Yuvası Kompleksi	Flywheel Housing Assembly	1	ADET
2	TE110061L	5307-99-821-7326	Saplama-Volan Muhafazası	Stud-Bell Housing	13	ADET
3	ERC7295-L	5365-99-732-7008	Tapa	Plug	1	ADET
	12B07-80207-AA	5310-27-006-2770	Somun	Nut (NH110041)	11	ADET
4	ERC7295-L	5365-99-732-7008	BOŞALTMA TAPASI-Volan Yuvası	Drain Plug-Flywheel Housing	1	ADET
5	ERR1535	5330-99-998-8908	Yağ Keçesi	Oil seal main	1	ADET
	ERR2532	5330-99-075-3473	Yağ Keçesi	Oil seal main	1	ADET
6	11000-80038-AA	5306-27-006-2709	Civata	Bolt (SH110301)	6	ADET
7	BH110071L	5306-99-122-2772	Civata	Bolt	2	ADET
8	11000-80303-AA	5310-27-006-2929	Yaylı Rondela	Spring Washer (WL110001)	2	ADET
9	71A00-80327-AA	5310-99-122-6476	DüzPul	Plain Washer	6	ADET
10	ERC6408	2805-99-786-7614	Volan ve Volan Dişlisi Kompleksi	Flywheel and Starter Ring Assembly	1	ADET
11	ERC5293	2805-99-788-7638	Volan Dişlisi	Starter Ring	1	ADET
12	502116	5315-99-849-9366	Pim-Debriyaj	Dowel-Clutch	3	ADET
13	ERC4658	2805-99-788-7637	Destek plakası	Reinforcing Plate	1	ADET
14	ERC6551	5306-99-763-3473	Civata-Volandan Krank Miline	Bolt-Flywheel to Crank shaft	8	ADET
15	576557	2520-99-818-9082	Debriyaj Baskısı	Clutch Cover	1	ADET
16	FRC2671	2520-99-786-7615	Debriyaj Balatası	Clutch Plate	1	ADET
	FTC159		Plaka Baskı	Plate	1	ADET





FTC3196		Debriyaj Balatası	Plate Clucht	1	ADET
---------	--	-------------------	--------------	---	------

NOT1:Motor numarası 17H22797C'ye kadar.  
 NOT2:Motor numarası 17H22798'den itibaren  
 NOT3:Ocak 1993'ten önce  
 NOT4:Ocak 1993'ten itibaren

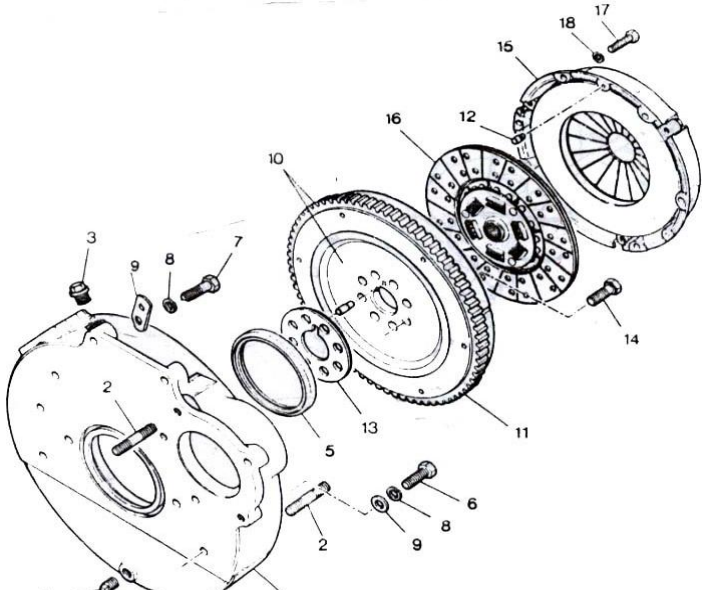
### LAND ROVER 110 YEDEK PARÇALARI

1-41

### MOTOR, VOLAN, DEBRİYAJ, ENGINE, FLYWHEEL, CLUTCH

### MOTOR-VOLAN-2,5 BENZİNLİ

RES. NO	PARÇA NO	NATO STOK NO	MALZEMENİN ADI	MALZEMENİN YABANCI ADI	KOMP. Mik.	DAG. BİRİMİ
	STC8359		Debriyaj Kiti	Clutch Kit	1	ADET
	576557	2520-99-818-9082	Kapak	Cover	1	ADET
	FTC159		Plaka Baskı	Plate	1	ADET
	FRC9568	3110-99-727-6035	Rulman	Bearing	1	ADET
17	SX108201L	5305-99-736-2710	Civata	Set Bolt	6	ADET
18	11000-80302-AA	5310-27-006-2928	Yaylı Rondela	Spring Washer	6	ADET
19	ERC9404	5340-99-788-7729	Braket-Kelepçeden Yuvaya	Bracket-Clip to Housing	2	ADET
	AFU1090L	5340-99-788-7393	Kelepçe	Clip	2	ADET



4 1

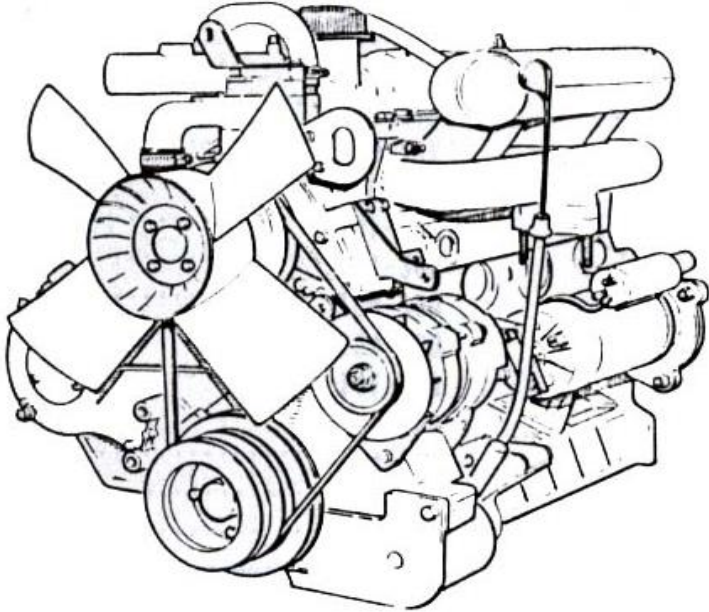
**LAND ROVER 110 YEDEK PARÇALARI**

**1-42**

**MOTOR, VOLAN, DEBRİYAJ, ENGINE, FLYWHEEL, CLUTCH**

**MOTOR-KOMPLE MOTOR-2,5 DİZEL**

RES. NO	PARÇA NO	NATO STOK NO	MALZEMENİN ADI	MALZEMENİN YABANCI ADI	KOMP. MİK.	DAG. BİRİMİ
1	ERC9476N	2815-99-733-0742	Motor, Volan ve Debriyajla Komple	Engine, Complete With Clutch&Flywheel	1	ADET

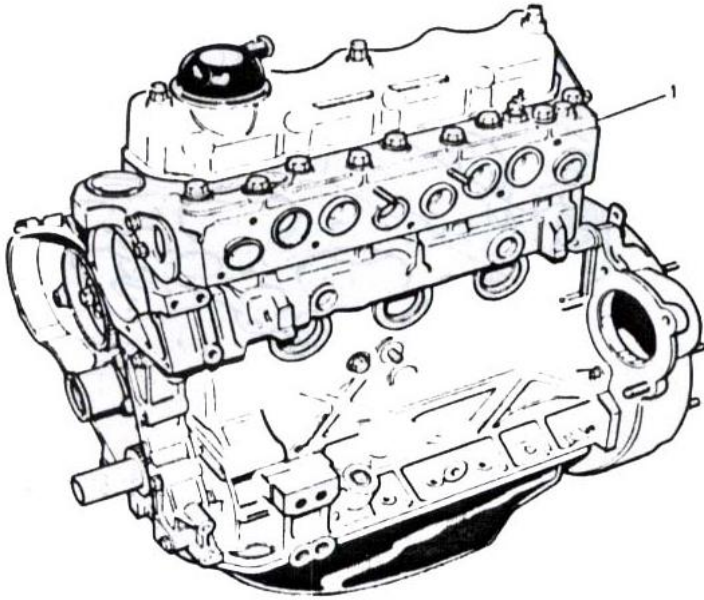


**LAND ROVER 110 YEDEK PARÇALARI**

1-43

**MOTOR, VOLAN, DEBRİYAJ, ENGINE, FLYWHEEL, CLUTCH****MOTOR-ÇIPLAK-2,5 DİZEL**

RES. NO	PARÇA NO	NATO STOK NO	MALZEMENİN ADI	MALZEMENİN YABANCI ADI	KOMP. MİK.	DAG. BİRİMİ
1	RTC6801N		Motor; Çıplak, Yeni	Engine, Stripped, New	1	ADET

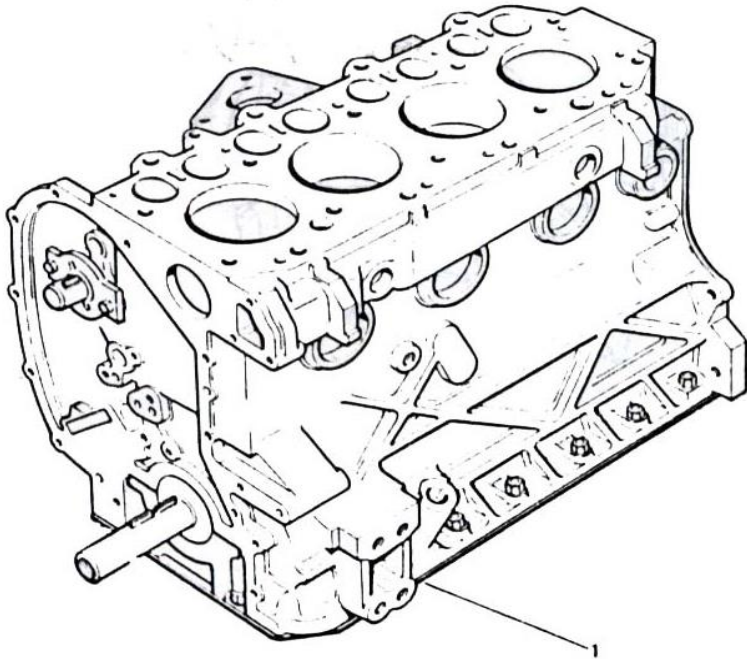


**LAND ROVER 110 YEDEK PARÇALARI**

1-44

**MOTOR, VOLAN, DEBRİYAJ, ENGINE, FLYWHEEL, CLUTCH****MOTOR-YARIM MOTOR-2,5 DİZEL**

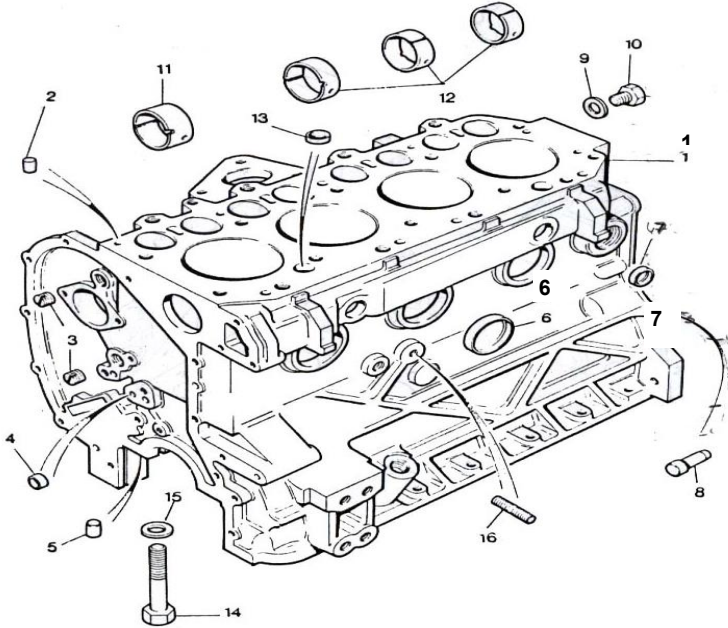
RES. NO	PARÇA NO	NATO STOK NO	MALZEMENİN ADI	MALZEMENİN YABANCI ADI	KOMP. MİK.	DAG. BİRİMİ
1	RTC6794		Yarım Motor	Short Engine Assembly	1	ADET





## LAND ROVER 110 YEDEK PARÇALARI

## MOTOR-SİLİNDİR BLOĞU-2,5 DİZEL



## 1-45

## MOTOR, VOLAN, DEBRİYAJ, ENGINE, FLYWHEEL, CLUTCH

RES. NO	PARÇA NO	NATO STOK NO	MALZEMENİN ADI	MALZEMENİN YABANCI ADI	KOMP. MİK.	DAG. BİRİMİ
1	RTC2991	2815-99-734-5210	Silindir Bloku Komple	Cylinder Block Assembly	1	ADET
2	247965	5315-99-873-8071	Tapa; Tapet Besleme Deliği	Plug, Tappet Feed Hole	1	ADET
3	247127	4730-99-850-0459	Tapa, Yağ Galerisi	Plug, Oil Gallery	2	ADET
4	ETC4529	5340-99-734-5211	Çakma Tapa; Gergi Yağ Beslemesi	Cup Plug, Oil Feed Tensioner	1	ADET
5	501593	5315-99-850-1611	Pim-Yatak Kebi	Dowel-Bearing Caps	10	ADET
6	ERC4996	2590-99-978-1407	Çakma Tapa, Kenar/Uc	Cup Plug-Side/ends	6	ADET
7	597586	5340-99-824-7850	ÇakmaTapa; SuYolları Sonu	Cup Plug-Water Rail Ends	3	ADET
8	ERC4644	5315-99-766-6577	Merkezeleme Pimi, Volan Muhafazası	Dowel, flywheel Housing	2	ADET
9	243959	5330-99-850-1592	Pul	Joint Washer	1	ADET
10	536577	4730-99-873-7634	Tapa, Kanal Arka Borusu	Plug, Gallery Pipe Rear	2	ADET
11	90519054	3120-99-844-9928	Yatak, Kam Mili, Ön	Bearing, Camshaft, Front	1	ADET
12	90519055	3120-99-844-9929	Kam Mili Yatağı, İç/Arka	Bearing, Camshaft; Inter/Rear	3	ADET
13	ERC4995	5340-99-783-8864	Tapa, Üst	Cup Plug-Top	2	ADET
14	247755	5306-99-850-0493	Cıvata, Ana Rulman Kapağı	Bolt Main Bearing Cap	10	ADET
	ETC7596	5306-99-850-0493	Cıvata, Flanşlı	Flanged Head Bolt	10	ADET
15	504006	5310-99-874-1905	Pul, Ana Rulman kapağı	Washer, Main Bearnig Cap	10	ADET
	ETC7708	5315-99-256-8137	Tapa, Kam Mili Yağ Beslemesi	Plug, Camshaft Oil Feed	3	ADET
16	TE108031L	5307-99-137-6381	Marş Motor Braketi	Stud, M8x15, Starter Bracket	1	ADET

NOT1:Motor No 12J43824'e kadar bu sayfa geçerlidir.

NOT2:247755 no.lu cıvata ile kullanın

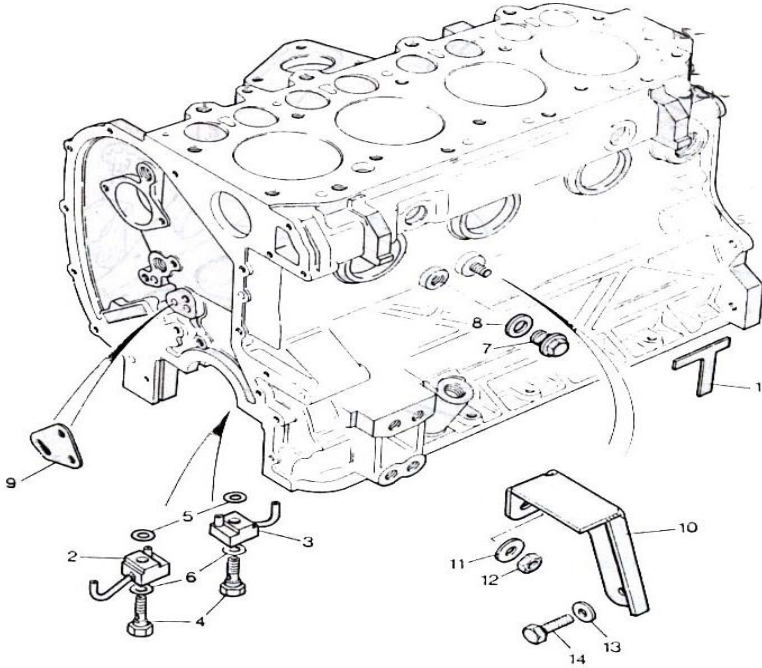
## LAND ROVER 110 YEDEK PARÇALARI

## MOTOR-SİLİNDİR BLOĞU-2,5 DİZEL

## 1-46

## MOTOR, VOLAN, DEBRİYAJ, ENGINE, FLYWHEEL, CLUTCH

RES. NO	PARÇA NO	NATO STOK NO	MALZEMENİN ADI	MALZEMENİN YABANCI ADI	KOMP. MİK.	DAG. BİRİMİ
---------	----------	--------------	----------------	------------------------	------------	-------------



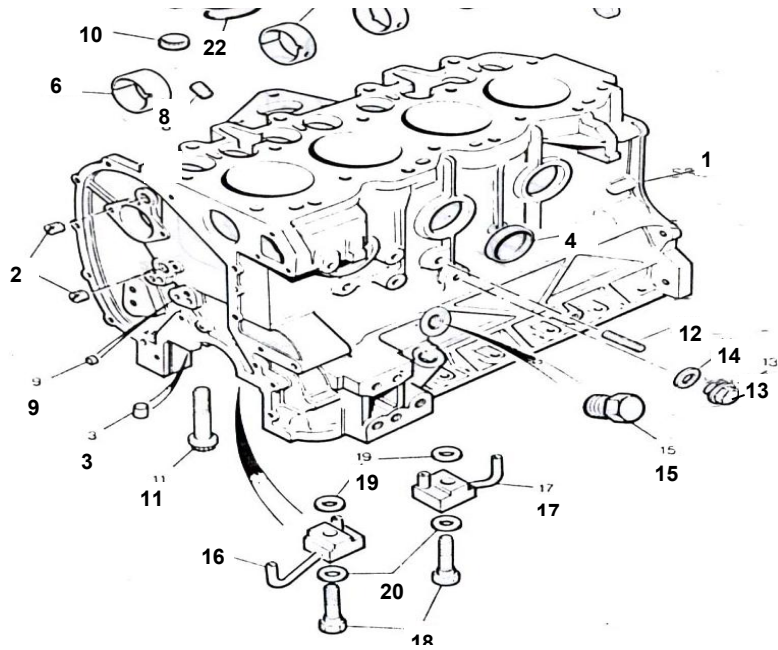
1	ERC5086	2805-99-874-1185	Dolgu Şeridi-Arka Rulman Kapağı	Packing Strip-Rr Brg Cap	2	ADET
2	ETC6531	2815-99-734-9031	Kmpl-1 ve 3 nolu Silind. Jet Adaptörleri	Assy-Jet Adaptor Nos 1 and 3 Cylinder	2	ADET
3	ETC6532	2815-99-734-9037	Kmpl- 2 ve 4 nolu Silind. Jet Adaptörleri	Assy-Jet Adaptor Nos2 and 4 Cylinder	2	ADET
4	ETC5592	4820-99-734-9038	Komple-Rölyef Valf	Assy-Relief Valve	4	ADET
5	AFU1879L	5310-99-734-9047	Bağlantı Pulu-Yağ Enjeksiyon/Kapak	Joint Washer-Oil Squirt/Blk	4	ADET
6	AFU1887L	4730-99-780-0070	Bağlantı Pulu-Yağ Enjeksiyon/Kapak	Joint Washer-Oil Squirt Blk	4	ADET
7	ERC9410	5365-99-779-9469	Tapa-Tahliye	Plug-Drain	1	ADET
8	AFU1882L	5310-99-779-9470	Bağlantı Pulu-Tahliye Tapası	Joint Washer-Drain Plug	1	ADET
9	ERC8864	5330-99-734-9030	Conta-Ön Yüz Yağ Deliği	Gasket-Front Face Oil Hole	1	ADET
10	ETC4697	2590-99-410-3456	Braket-Marş Motor Desteği	Bracket-Starter Support	1	ADET
11	71A00-80323-AA	5310-27-006-2949	Düz Pul-Braket/Kapak	Plain Washer-Bracket/Blk (WC108051)	1	ADET
12	71A00-80203-AA	5310-27-006-2774	Somun-Braket/Blok	Nut-Bracket/Blk (NH108041)	1	ADET
13	11000-80351-AA	5310-27-006-2934	Düz Pul-Braket/Marş Motoru	Plain Washer Brac./Staeter (WA106041)	2	ADET
14	11000-80007-AA	5306-27-006-2699	Vida, M6x16mm, Braket/Marş Motoru	Screw,M6x16mm, Bracket/Starter	2	ADET

## LAND ROVER 110 YEDEK PARÇALARI

### MOTOR-2,5 DİZEL-SİLİNDİR BLOĞU



1-47		MOTOR, VOLAN, DEBRİYAJ, ENGINE, FLYWHEEL, CLUTCH				
RES. NO	PARÇA NO	NATO STOK NO	MALZEMENİN ADI	MALZEMENİN YABANCI ADI	KOMP. Mik.	DAĞ. BİRİMİ
1	ERR478	2815-99-362-7551	Silindir Bloğu Komitesi	Cylinder Block Assembly	1	ADET
2	247127	4730-99-850-0459	Tapa-Yağ Kanalı	Plug-Oil Gallery	2	ADET
3	501593	5315-99-850-1611	Merkezleme Pimi-Volan Muhafazası	Dowel-Bearing Caps	10	ADET
4	ERC4996	2590-99-978-1407	Çakma Tapa-Kenar/Uç	Cup Plug-Sides/Ends	6	ADET
5	597586	5340-99-824-7854	Çakma Tapa-Su Yolları Sonu	Cup Plug-Water Rail Ends	3	ADET



6	ETC8442	3120-99-425-4491	Yatak-Kam Mili-Ön	Bearing-Camshaft-Front	1	ADET
7	90519055	3120-99-844-9929	Kam Mili Yatağı-İç/Arka	Bearing-Camshaft-Inner/Rear	3	ADET
8	ETC7708	5315-99-256-8137	Tapa Kam Mili Yağ Beslemesi	Plug Cam shaft Oil Feed	3	ADET
9	ETC4529	5340-99-734-5211	Çakma Tapa	Cup Plug	1	ADET
10	ERC4995	5340-99-783-8864	Çakma Tapa	Cup Plug	2	ADET
11	ETC8074		Civata-Ana Yatak Kapağı	Bolt-Main Bearing Cap	10	ADET
12	TE108031L	5307-99-137-6381	Saplama-Marş Motoru Braketi	Stud-Starter Motor Bracket	1	ADET
13	ETC5577	5365-99-839-5444	Tahliye Tapası	Drain Plug	1	ADET
14	213961	5330-99-850-0667	Pul	Joint Washer	1	ADET
15	ETC8362		Tapa-TurboTahliyesi	Plug-Turbo Drain	1	ADET
16	ETC6531	2815-99-734-9031	1 ve 3 nolu Silindir Adaptörleri Kmpl.	Jet Adaptor Assy No1&3 Cylinder	2	ADET
17	ETC6532	2815-99-734-9037	2 ve 4 nolu Silindir Adaptörleri Kmpl.	Jet Adaptor Assy No2&4 Cylinder	2	ADET
18	ETC5592	4820-99-734-9058	Rolyef Valf Kompleksi	Relief Valve Assembly	4	ADET
19	AFU1879L	5310-99-734-9047	Bağlantı Pulu-Yağ Enjeksiyon	Joint Washer-OilSquirt	4	ADET
20	AFU1887L	4730-99-780-0070	Bağlantı Pulu-Yağ Enjeksiyon	Joint Washer-OilSquirt	4	ADET
21	ERR586	2815-99-522-0698	Adaptör-Silindir Bloğu	Adaptor-Cylinder Block	1	ADET
22	ERR531		O'Ring-Adaptör	O'Ring-Adaptor	1	ADET
	ERC9188	2815-99-782-2687	Silindir Gömleği	Cylinder Liner	4	ADET

## LAND ROVER 110 YEDEK PARÇALARI

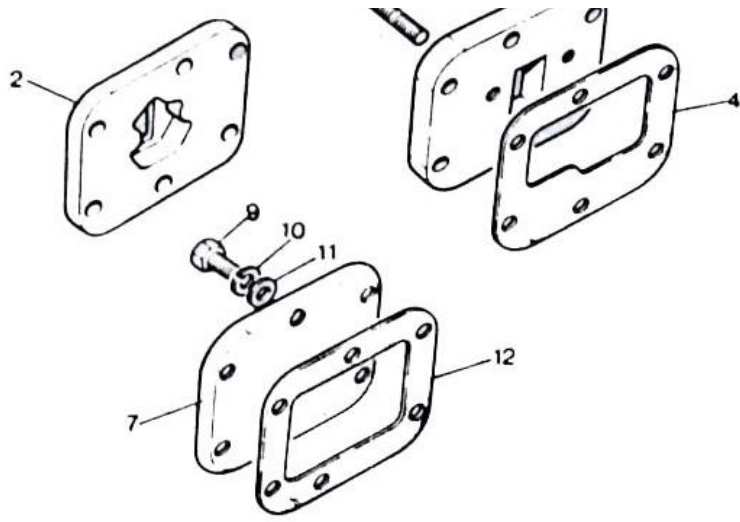
1-48

## MOTOR, VOLAN, DEBRİYAJ, ENGINE, FLYWHEEL, CLUTCH

### MOTOR-YAN KAPAK-2,5 DİZEL ENGINE-SIDE COVER-2,5 DIESEL

RES. NO	PARÇA NO	NATO STOK NO	MALZEMENİN ADI	MALZEMENİN YABANCI ADI	KOMP. MİK.	DAG. BİRİMİ
1	ERC9073	2805-99-797-5970	Yan Kapak ve Saplama Komple	Side Cover and Stud Assembly	1	ADET
2	ETC7929	2990-99-025-2520	Yan Kapak Komple	Side Cover-Assy	1	ADET
3	TE108041L	5307-99-700-7202	Saplama	Stud	2	ADET
4	ERR1475	5330-99-144-3853	Bağlantı Contası	Joint Washer	1	ADET
5	11000-80017-AA	5306-27-006-2704	Civata-Kapağı Bloğa Bağlar	Screw-Cover to Block (SH108251)	6	ADET
6	11000-80302-AA	5310-27-006-2928	Yaylı Rondela	Washer-Spring	6	ADET
7	541010	2805-99-873-7916	Yan Kapak	Cover Side	1	ADET
8	ERC9480	5340-99-788-7730	Braket-Yan Kapak	Bracket-Harnes Clip	1	ADET
9	11000-80016-AA	5306-27-006-2703	Civata	Screw (SH108201)	3	ADET
	11000-80017-AA	5306-27-006-2704	Civata	Screw (SH108251)	3	ADET
10	71A00-80324-AA	5310-99-122-6475	Pul, Düz	Washer, Plain	3	ADET
11	11000-80302-AA	5310-27-006-2928	Yaylı Rondela	Washer-Spring	6	ADET





12	247555	5330-99-850-0473	Conta, Yan Kapak	Gasket, Side Cover	1	ADET
----	--------	------------------	------------------	--------------------	---	------

NOT1:Motor No 12J39054C'ye kadar.  
NOT2:Motor No 12J39055C'den itibaren

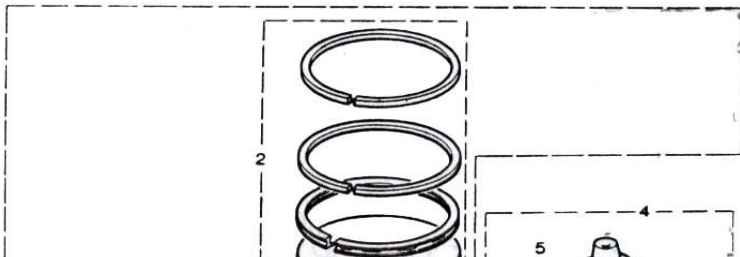
### LAND ROVER 110 YEDEK PARÇALARI

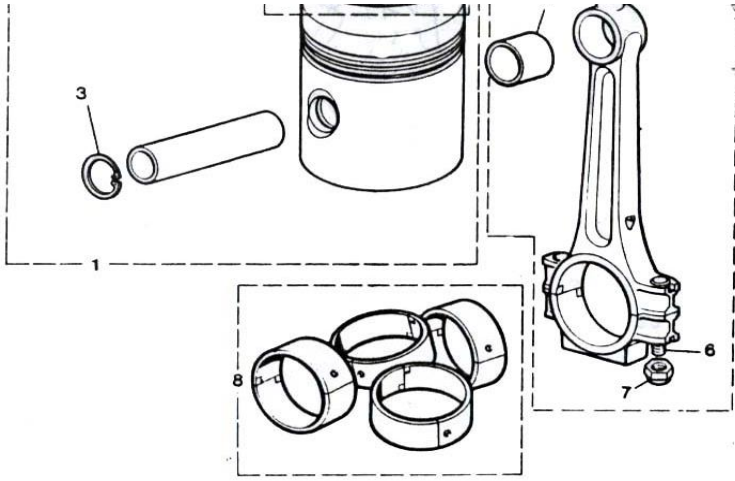
1-49

### MOTOR, VOLAN, DEBRİYAJ, ENGINE, FLYWHEEL, CLUTCH

### MOTOR-PİSTONLAR-2,5 DİZEL

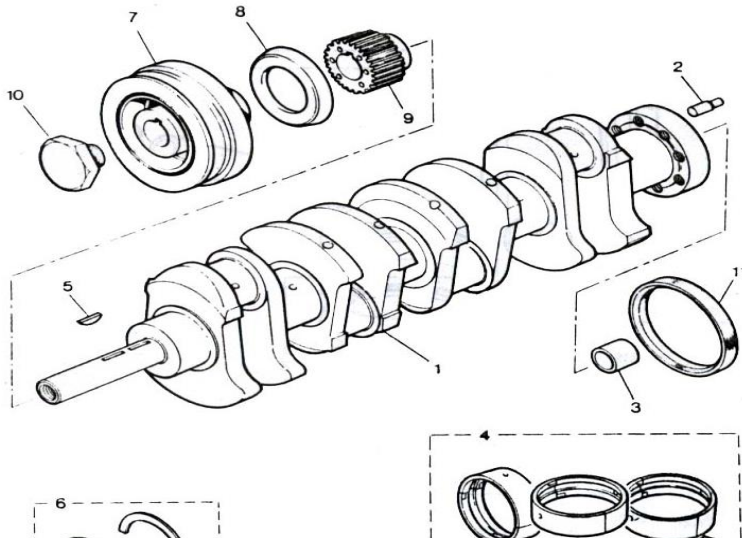
RES. NO	PARÇA NO	NATO STOK NO	MALZEMENİN ADI	MALZEMENİN YABANCI ADI	KOMP. MİK.	DAG. BİRİMİ
1	RTC6442S	2815-99-299-9576	PISTON VE SEGMAN KOMPLESİ-STANDART	PISTON AND RINGS ASSYSTD	4	ADET
	RTC644220	2815-99-449-8828	"0.020" BÜYÜK PİSTON/SEGMAN KOMPLESİ	PISTON&RINGS ASSY 0.020"OVER	4	ADET
2	RTC4778S	2815-99-734-9157	Standart Piston Segman Kiti	Kit-Piston Ring Std.	4	ADET
	RTC477820	2815-99-734-9159	0.020" Büyük Ölçüdeki Pist.veSeg.Kiti	Kit-Piston Ring 0.020"O/S	4	ADET
3	266945	5365-99-910-8281	Segman	Circlip	8	ADET
4	ERR593	2815-99-701-2692	BİYEL KOLU KOMPLESİ	CONNECTING ROD ASSEMBLY	4	ADET
5	247583	3120-99-806-8801	Biyel Kol Burcu	Bush-Gudgeon Pin	4	ADET
6	ETC7357	5306-99-973-1626	Civata-Biyel Kolu	Bolt-Conn Rod	8	ADET
7	ETC8191	5310-99-701-0923	Somun-Biyel Kolu	Nut-Conn Rod	8	ADET
8	RTC2993	3120-99-734-9121	Biyel Kol Yatağı-Kit-Standart	Kit-Connecting Rod Bearing-Standard	1	ADET
	RTC299310	3120-99-477-4647	Biyel Kol Yatağı-Kit-"0.010" Büyük	Kit-Connecting Rod Bearing	1	ADET
	ERC9188	2815-99-782-2687	Silindir Gömleği	Liner-Cylinder	4	ADET





## LAND ROVER 110 YEDEK PARÇALARI

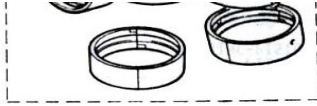
### MOTOR-KRANK MİLİ-2,5 DİZEL



## 1-50

## MOTOR, VOLAN, DEBRİYAJ, ENGINE, FLYWHEEL, CLUTCH

RES. NO	PARÇA NO	NATO STOK NO	MALZEMENİN ADI	MALZEMENİN YABANCI ADI	KOMP. MİK.	DAG. BİRİMİ
1	ETC8829	2815-99-120-4938	Krank Mili	Crank shaft	1	ADET
	ERR1181	2815-99-495-5746	Krank Mili	Crank shaft	1	ADET
2	ERC4650	5315-99-763-8987	Volan Pimi	Dowel, Crank shaft	1	ADET
3	8566L	3120-99-850-0035	Volan Burcu	Bush	1	ADET
4	RTC2992	3120-99-623-7668	Ana Yatak, Takım, Standart	Kit, Main Bearing, Standard	1	ADET
	RTC299210	3120-99-623-7668	Ana Yatak Kiti -0.10"	Bearing Set Main-0.10"	1	ADET
	RTC4783	3120-99-660-3954	Ana Yatak Takımı-Standart	Kit-Main Bearing-Standard	1	ADET
5	235770	5315-99-850-0441	Kama	Key	2	ADET
6			GEZGİ YAYLARI, TAKIM ÇİFT	KIT-THRUST WASHER PAIR	1	ADET
	RTC2825	2805-99-758-4313	Pul Dayama Standart	Standard	2	ADET
	538131	2805-99-810-0762	Pul, Dayama, 0.0025" Büyük	0.0025" O/S	2	ADET
	538132	2805-99-810-0763	Pul, Dayama, 0.0050" Büyük	0.0050" O/S	2	ADET
	538133	3120-99-821-0118	Gezgi Ayları, 0.0075" Büyük	0.0075" O/S	2	ADET
	538134	3120-99-821-0119	Pul Dayama 0.010" Büyük	0.010" O/S	2	ADET
7	ETC4077	3020-99-735-2530	Krank Kasnağı-Standart	Torsional Vibr Damper & Pulley Basic.	1	ADET
	ERC6861	3020-99-122-6157	Kasnak-Takviyeli Direksiyon	Pulley-Power Assisted Steering	1	ADET
	11000-80017-AA	5306-27-006-2704	Civata-Kasnak	Screw-Fixing Pulley To Dam. (SH108251)	4	ADET
	11000-80302-AA	5310-27-006-2928	Rondela-Kasnak	Spring Washer-Pulley to Dam. (WL108001)	4	ADET



8	ETC4390	2815-99-735-2529	Toz Sacı-Titreşim Yutucu	Flinger-T.V.Damper	1	ADET
---	---------	------------------	--------------------------	--------------------	---	------

NOT1:Motor No 12J43824'e kadar  
NOT2:Motor No 12J43825'den itibaren  
NOT3:Motor No 12J25700'e kadar  
NOT4:Motor No 12J25701'den itibaren  
NOT5:Gerektiğinde kullanılmalıdır.

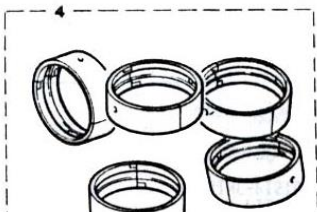
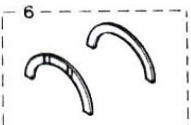
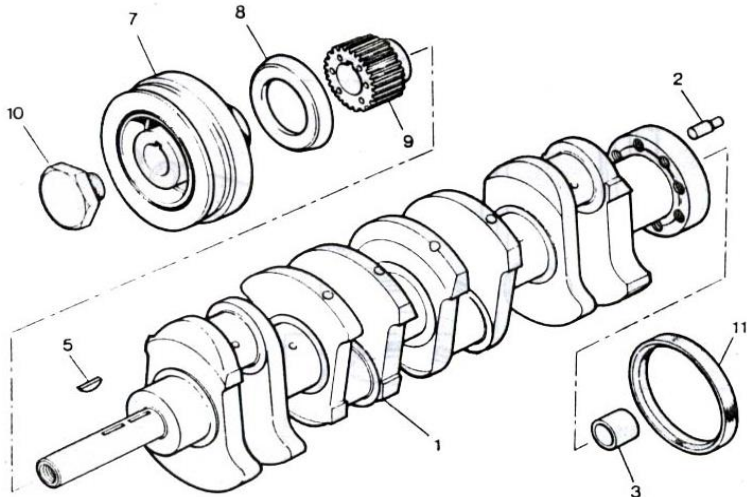
### LAND ROVER 110 YEDEK PARÇALARI

1-51

### MOTOR, VOLAN, DEBRİYAJ, ENGINE, FLYWHEEL, CLUTCH

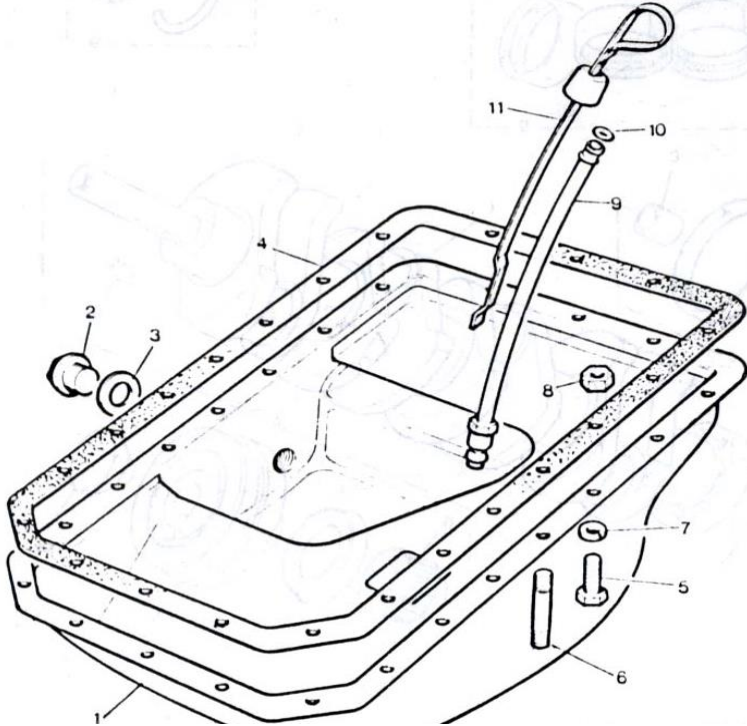
#### MOTOR-KRANK MİLİ-2,5 DİZEL

RES. NO	PARÇA NO	NATO STOK NO	MALZEMENİN ADI	MALZEMENİN YABANCI ADI	KOMP. MİK.	DAG. BİRİMİ
9	ERC9765	3020-99-734-9105	Krank Dişlisi	Pulley-Crank shaft	1	ADET
10	ETC7934	5306-99-215-0613	Krank Uc Civatası	Bolt-Crank shaft	1	ADET
	ERR605	5306-99-957-6177	Civata-Krank şaft	Bolt-Crank shaft	1	ADET
	ERR705	5310-99-766-0575	Dayama Pulu-Krank şaft	Bolt-Crank shaft	1	ADET
11	ERR1535	5330-99-998-8908	Yağ Contası	Oil Seal	1	ADET



LAND ROVER 110 YEDEK PARÇALARI

MOTOR-KARTERİ-2,5 DİZEL



1-52

MOTOR, VOLAN, DEBRİYAJ, ENGINE, FLYWHEEL, CLUTCH

RES. NO	PARÇA NO	NATO STOK NO	MALZEMENİN ADI	MALZEMENİN YABANCI ADI	KOMP. MİK.	DAG. BİRİMİ
1	ETC6132		Karter	Sump,Crankcase	1	ADET
	ERR1429		Karter	Sump,Crankcase	1	ADET
2	599552	5365-99-823-7203	Boşaltma Tapası	DrainPlug	1	ADET
3	FRC4808	5330-99-792-0835	Bağlantı Contası-Tapa	Joint Washer-Plug	1	ADET
4	546841	5330-99-874-1918	Bağlantı Contası-Karteri Bloğa	Joint Washer-Sump to Block	1	ADET
5	11000-80014-AA	5306-27-006-2702	Civata	Bolt(SH108161)	21	ADET
6	TE108031L	5307-99-137-6381	Saplama	Stud	1	ADET
7	11000-80302-AA	5310-27-006-2928	Yaylı Rondela	Spring Washer	22	ADET
8	71A00-80203-AA	5310-27-006-2774	Somun	Nut (NH108041)	1	ADET
9	ERC8980	2805-99-779-9487	Boru-Seviye Çubuğu	Tube-Dipstick	1	ADET
10	532387	5330-99-805-8677	Conta,Seviye Çubugu	Sealing Ring-Dipstick	1	ADET
11	ETC7867	6680-99-781-9336	Seviye Çubuğu	Dipstick	1	ADET

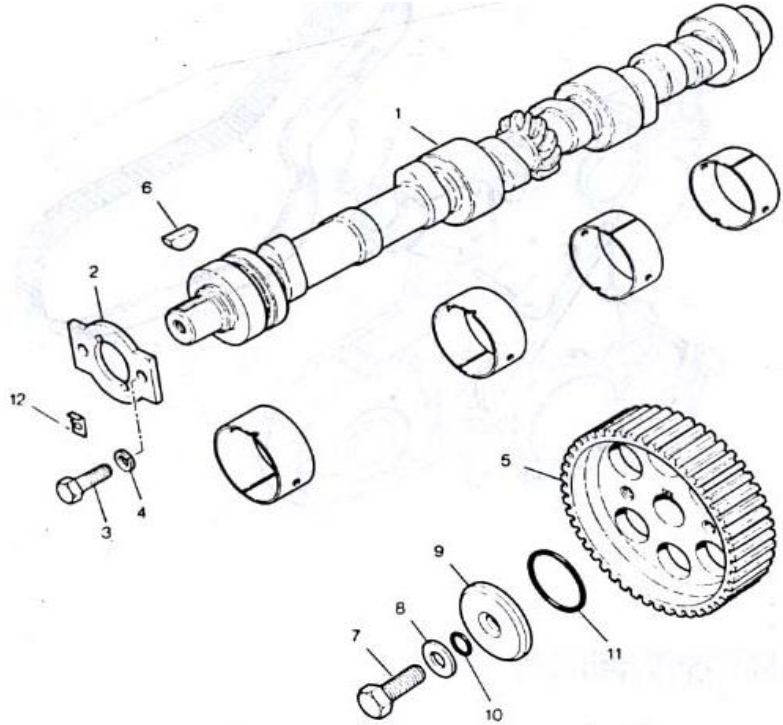
NOT1:Motor No 12J49671C'ye kadar  
NOT2:Motor No 12J49672C'den itibaren

## LAND ROVER 110 YEDEK PARÇALARI

1-53

## MOTOR, VOLAN, DEBRİYAJ, ENGINE, FLYWHEEL, CLUTCH

### MOTOR-KAM MİLİ-2,5 DİZEL



RES. NO	PARÇA NO	NATO STOK NO	MALZEMENİN ADI	MALZEMENİN YABANCI ADI	KOMP. MIK.	DAG. BİRİMİ
1	ETC7128	2815-99-781-9335	Kam Mili	Camshaft	1	ADET
2	ERC1561	2530-99-828-9231	Gezgi Plakası-Kam Mili	Thrust Plate-Camshaft	1	ADET
3	11000-80007-AA	5306-27-006-2699	Civata	Screw	2	ADET
4	11000-80301-AA	5310-27-006-2927	Yaylı Rondela-Gezgi Plakası	Spring Washer-Plate to Block (WL106001)	2	ADET
5	ETC4014	2815-99-734-9164	Kam Mili Dişlisi	Pulley	1	ADET
6	230313	5315-99-136-4886	Yarım Kama-Kasnak Kam Mili	Woodruff Key-Chainwheel to Shaft	1	ADET
7	BX110071L	5306-99-790-1513	Civata	Bolt	1	ADET
8	ETC4670	5310-99-513-8757	Düz Pul	Washer Plain	1	ADET
9	ERC8847	2805-99-846-0404	Kasnak Pulu	Plate Retaining	1	ADET
10	ERC8849	5330-99-734-9167	O'Ring	O'Ring	1	ADET
11	ETC4076	5330-99-734-9165	O'Ring	O'Ring	1	ADET
12	2995	5310-99-850-0009	Kilitli Pul	Locker	2	ADET



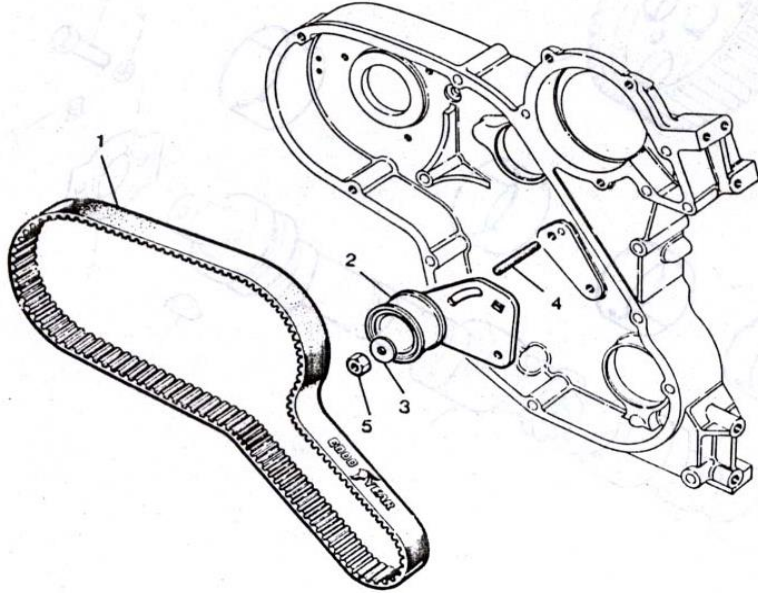
## LAND ROVER 110 YEDEK PARÇALARI

1-54

## MOTOR, VOLAN, DEBRİYAJ, ENGINE, FLYWHEEL, CLUTCH

## MOTOR-TRİGER KAYIŞI-2,5 DİZEL

RES. NO	PARÇA NO	NATO STOK NO	MALZEMENİN ADI	MALZEMENİN YABANCI ADI	KOMP. Mik.	DAG. BİRİMİ
1	ETC7333	3030-99-845-9661	Triger Kayışı	Belt Timing-Super Torque	1	ADET
2	ERC8861	2815-99-735-0225	Gergi-Zamanlama Bilyası	Tensioner Assy-Timing Belt	1	ADET
3	4594L	5310-99-137-1107	Pul	Washer	2	ADET
4	TE108061L	5307-99-977-3490	Saplama	Stud	2	ADET
5	14C01-80243-AA	5310-27-006-2761	Somun	Nut (NY108041)	2	ADET



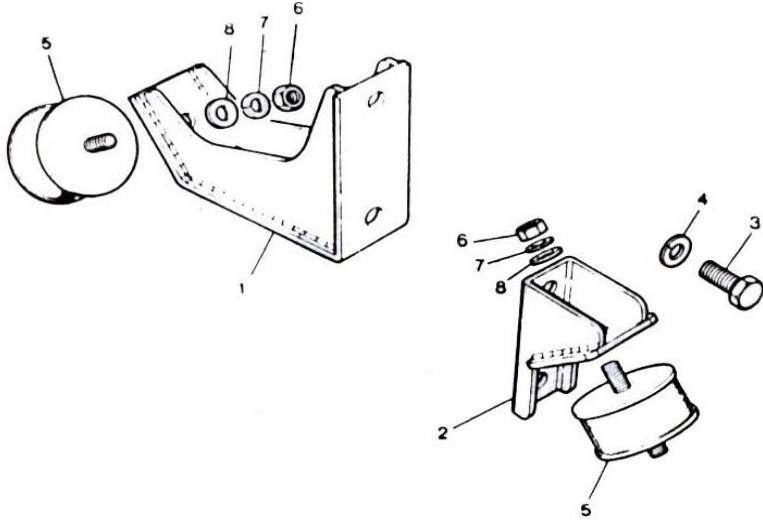
## LAND ROVER 110 YEDEK PARÇALARI

1-55

## MOTOR, VOLAN, DEBRİYAJ, ENGINE, FLYWHEEL, CLUTCH

## MOTOR-MOTOR BAĞLANTILARI-2,5 DİZEL

RES. NO	PARÇA NO	NATO STOK NO	MALZEMENİN ADI	MALZEMENİN YABANCI ADI	KOMP. MİK.	DAG. BİRİMİ
1	NRC5434	5340-99-792-8159	Motor Ayağı, Sağ	Mounting Foot-LH	1	ADET
2	NRC9557	2990-99-798-7759	Motor Ayağı, Sol	Mounting Foot-Rh	1	ADET
3	11000-80078-AA	5306-27-006-2710	Cıvata	Screw, Foot to Block	4	ADET
4	11000-80305-AA	5310-27-006-2930	Rondela, Yaylı	Spring Washer	4	ADET
5	NRC9560-L	5340-99-729-2347	Motor Takozu	Rubber-Engine Mounting	2	ADET
	ANR1808-L	5340-99-729-2347	Motor Takozu	Rubber-Engine Mounting	2	ADET
6	12B07-80207-AA	5310-27-006-2770	Somun-Takoza Kulağa	Nut-Rubber to Foot (NH110041)	4	ADET
7	71A00-80326-AA	5310-27-006-2950	Rondela-Takoza Kulağa	Washer-Rubber to Foot (WC110061)	2	ADET
8	11000-80303-AA	5310-27-006-2929	Rondela-Takoza Kulağa	Washer-Spring- Rubber to Foot (WL110001)	4	ADET



NOT1:Ekim 1992'ye kadar.  
NOT2:Ekim 1992'den itibaren.

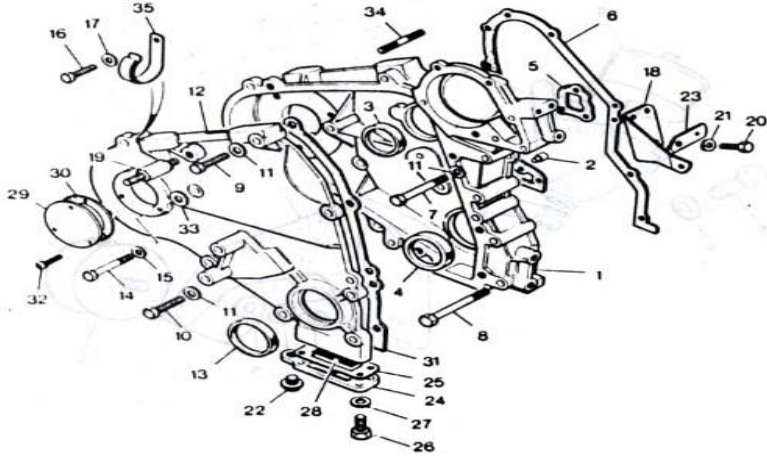
## LAND ROVER 110 YEDEK PARÇALARI

1-56

## MOTOR, VOLAN, DEBRİYAJ, ENGINE, FLYWHEEL, CLUTCH

## MOTOR-ÖN KAPAK-2,5 DİZEL

RES. NO	PARÇA NO	NATO STOK NO	MALZEMENİN ADI	MALZEMENİN YABANCI ADI	KOMP. MİK.	DAG. BİRİMİ
1	ETC4421	2815-99-735-0222	Ön Kapak	Front Cover	1	ADET



2	6395L	5315-99-364-0152	Pim-Ön Kapak	Dowel-Front Cover	4	ADET
3	ETC5064	5330-99-730-0715	Yağ Keçesi-Kam Mili	Oil Seal-Camshaft	1	ADET
4	ETC5065	5330-99-990-8518	Yağ Keçesi-Krank Mili	Oil Seal-Crankshaft	1	ADET
5	538038	5330-99-831-8087	Conta-Ön Kapakla su girişi arası	Gasket-Front Cover and Water Inlet	1	ADET
6	538039	2805-99-873-8123	Conta-Ön Kapak	Gasket-Front Cover	1	ADET
7	14A00-80003-AA	5305-99-122-5257	Civata-Kapağı Bloğa	Bolt-Cover to Block	1	ADET
8	11000-80024-AA		Civata-Kapağı Bloğa	Bolt-Cover to Block	4	ADET
9	11000-80016-AA	5306-27-006-2703	Saplama, kapağı Bloğa	Screw	2	ADET
10	11000-80017-AA	5306-27-006-2704	Saplama-Kapağı Bloğa Bağlar	Screw-Cover to Block	1	ADET
11	71A00-80324-AA	5310-99-122-6475	Pul,	Washer	8	ADET
12	ETC4422	2815-99-735-2456	Ön Kapak Plakası	Plate-Front Cover	1	ADET
13	ETC4154	5330-99-735-2457	Keçe-Kapak Yüzü	Seal-Cover Plate	1	ADET
14	71A00-80024-AA		Civata-Kapak Yüzünü Bloğa	Bolt-Plate to Block	1	ADET
15	71A00-80324-AA	5310-99-122-6475	Pul,	Washer	1	ADET
16	11000-80017-AA	5306-27-006-2704	Civata-Kapak Yüzünü Kapağa	Screw-Cover Plate to Frt.Cov.	7	ADET
17	71A00-80324-AA	5310-99-122-6475	Pul,	Washer	7	ADET
18	ERC6479	2805-99-788-7642	Braket-Davlumbaz Bağlantısı	Bracket-Cowl Mounting	1	ADET

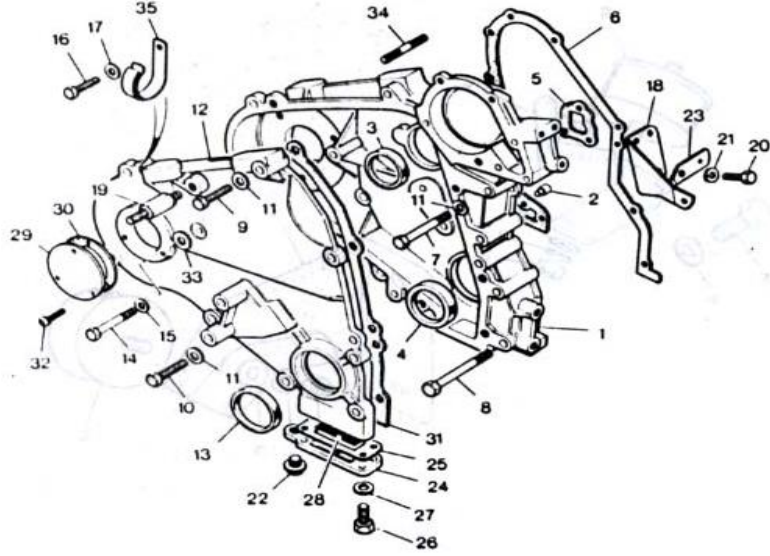
### LAND ROVER 110 YEDEK PARÇALARI

1-57

MOTOR, VOLAN, DEBRİYAJ, ENGINE, FLYWHEEL, CLUTCH

### MOTOR-ÖN KAPAK-2,5 DİZEL

RES. NO	PARÇA NO	NATO STOK NO	MALZEMENİN ADI	MALZEMENİN YABANCI ADI	KOMP. MİK.	DAĞ. BİRİMİ
19	ETC4996	2805-99-788-7642	Civata-Özel-Braketi Kapağa	Bolt-Special-Bracket to Cover	1	ADET
20	11000-80016-AA	5306-27-006-2703	Civata-Braketi Kapağa	Bolt-Bracket to Cover (SH108201)	3	ADET
21	11000-80302-AA	5310-27-006-2928	Yaylı Rondela-Braketi Kapağa	Spring Washer-Brac. to Cover (WL108001)	3	ADET



22	ERC7295-L	5365-99-732-7008	Tapa	Plug	1	ADET
23	RTC3772	5340-99-835-5883	Kablo Bağlantısı	Cable Tie	1	ADET
24	ETC4058	5340-99-735-2507	Direnaj Plakası	Drain Plate	1	ADET
25	ETC4122	5330-99-735-2514	Conta, Direnaj Plakası	Gasket, drain Plate	1	ADET
26	11000-80008-AA	5306-27-006-2700	Civata-Plakadan Kapağa	Bolt-Plate to Cover (SH106201)	4	ADET
27	11000-80351-AA	5310-27-006-2934	Pul-Plakayı Kapağa	Washer-Plate to Cover (WA106041)	4	ADET
28	ETC4063	2940-99-735-2523	Filtre	Strainer	1	ADET
29	ERC9199	2815-99-253-1255	Kapak Plakası	Cover Plate	1	ADET
30	ERC9201	5330-99-735-2524	Conta, Kapak Plakası	Gasket,Cover Plate	1	ADET
31	ETC4420	5330-99-735-2458	Conta, Kapak Plakası,Ön Kapak	Gasket,Cover Plate to Front Cov	1	ADET
32	71A00-81327-AA	5305-99-306-3747	Vida-Plakadan Kapak Plakasına	Screw-Plate to Cover Plate (SE106121)	3	ADET
33	ETC4124	5330-99-735-2502	Bağlantı Pulu, Civata	Joint Washer Bolt	1	ADET
34	ETC4873	5307-99-735-0223	Saplama-DPS'den Ön Kapağa	Stud-DPS to Front Cover	3	ADET
35	ETC4630	5340-99-735-2528	Kelepçe-Alt Hortum	Clip-Bottom Hose	1	ADET

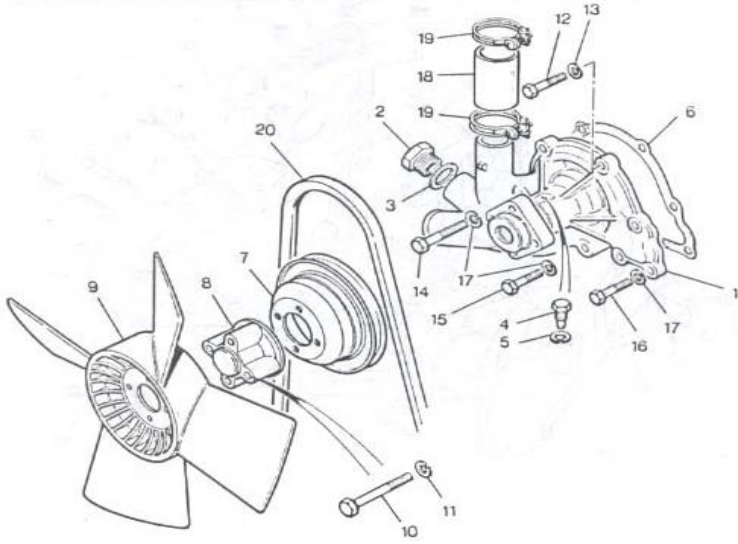
### LAND ROVER 110 YEDEK PARÇALARI

1-58

### MOTOR, VOLAN, DEBRİYAJ, ENGINE, FLYWHEEL, CLUTCH

### MOTOR-DEVİRDAİM POMPASI-2,5 DİZEL

RES. NO	PARÇA NO	NATO STOK NO	MALZEMENİN ADI	MALZEMENİN YABANCI ADI	KOMP. MİK.	DAG. BİRİMİ
1	RTC6331	2930-99-411-3252	Devirdaim Pompası Komple	Water Pump Assembly	1	ADET
2	ERC7312	5365-99-735-2531	Tapa-Devirdaim Pompası	Plug-Water Pump	1	ADET
3	232046	5330-99-838-9476	Bağlantı Pulu	Washer-Joint	1	ADET
4	ERC5600	5305-99-796-6075	Civata-Özel	Bolt-Special	1	ADET
5	11000-80301-AA	5310-27-006-2927	Yaylı Rondela	Spring Washer	1	ADET
6	ERC5655	5330-99-839-5445	Conta-Pompayı Kapağa	Gasket-Pump to Cover	1	ADET
7	ERC5578	3020-99-735-4723	Kasnak	Pulley	1	ADET
8	ERC7489	2805-99-788-7718	Mesafe Burcu-Pervane/ Pompa Arası	Spacer-Fan to Pump	1	ADET



9	ERC5545	2930-99-733-8610	Pervane	Fan	1	ADET
10	14A00-80003-AA	5305-99-122-5257	Civata-Kasnağı Poyraya	Bolt-Pulley to Hub (BH108111)	4	ADET
11	11000-80302-AA	5310-27-006-2928	Yaylı Rondela	Spring Washer	4	ADET
12	11000-80020-AA	5305-99-122-5253	Civata-Pompayı Kapağa	Bolt-Pump to Cover (BH108061)	3	ADET
13	11000-80302-AA	5310-27-006-2928	Yaylı Rondela	Spring Washer	3	ADET
14	14A00-80004-AA	5305-99-122-5260	Civata-Pompayı Kapağa	Bolt-Pump to Cover (BH108151)	1	ADET
15	11000-80026-AA	5305-99-122-5261	Civata-Pompayı Kapağa	Bolt-Pump to Cover (BH108161)	2	ADET
16	11000-80027-AA	5306-99-788-7597	Civata-Pompayı Kapağa	Bolt-Pump to Cover (BH108171)	1	ADET
17	11000-80302-AA	5310-27-006-2928	Yaylı Rondela	Spring Washer	4	ADET
18	ERC5654	2930-99-727-6619	Hortum-Geçiş Borusu	Hose-By-Pass Pipe	1	ADET
19	CN100408L	4730-99-788-7623	Hortum Keleçesi	Hose Clip	2	ADET
20	563132	3030-99-825-5915	Pervane Kayışı	Fan Belt	1	ADET

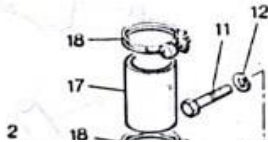
### LAND ROVER 110 YEDEK PARÇALARI

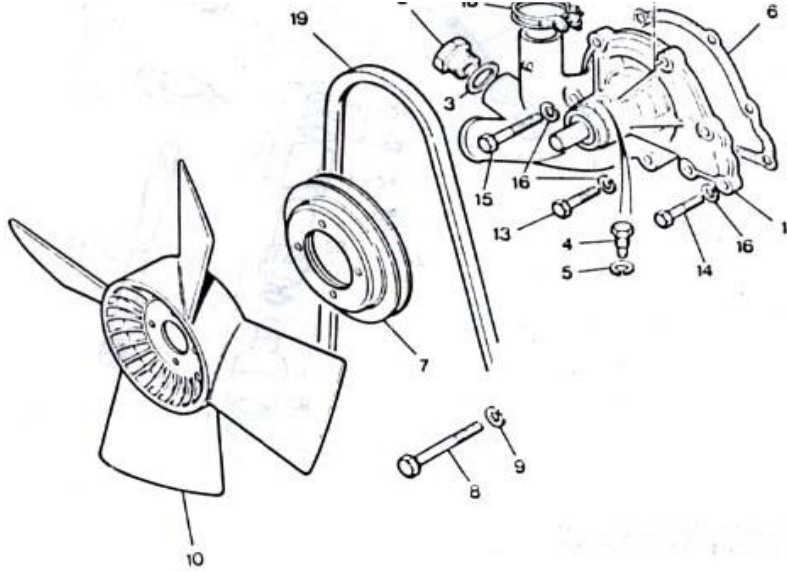
1-59

### MOTOR, VOLAN, DEBRİYAJ, ENGINE, FLYWHEEL, CLUTCH

**MOTOR-DEVİRDAİM POMPASI-65 AMP  
ALTERNATORLU-2,5 DİZEL  
ENGINE-WATER PUMP-2,5 DIESEL WITH 65 AMP  
ALTERNATOR**

RES. NO	PARÇA NO	NATO STOK NO	MALZEMENİN ADI	MALZEMENİN YABANCI ADI	KOMP. MİK.	DAG. BİRİMİ
1	RTC6331	2930-99-411-3252	Devirdaim Pompası Komple	Water Pump Assembly	1	ADET
2	ERC7312	5365-99-735-2531	Tapa-Devirdaim Pompası	Plug-Water Pump	1	ADET
3	232046	5330-99-838-9476	Bağlantı Pulu	Washer-Joint	1	ADET
4	ERC5600	5305-99-796-6075	Civata-Özel	Bolt-Special	1	ADET
5	11000-80301-AA	5310-27-006-2927	Yaylı Rondela	Spring Washer	1	ADET
6	ERC5655	5330-99-839-5445	Conta-Pompayı Kapağa	Gasket-Pump to Cover	1	ADET
7	ETC4650	3020-99-735-4723	Kasnak	Pulley	1	ADET
8	71A10-80058-AA	5305-99-122-5244	Civata-Kasnağı Poyraya	Bolt-Pulley to Hub	4	ADET
9	11000-80301-AA	5310-27-006-2927	Yaylı Rondela	Spring Washer	4	ADET
10	ERC5545	2930-99-733-8610	Pervane	Fan	1	ADET
11	11000-80020-AA	5305-99-122-5253	Civata-Pompayı Kapağa	Bolt-Pump to Cover	3	ADET
12	11000-80302-AA	5310-27-006-2928	Yaylı Rondela	Spring Washer	3	ADET
13	14A00-80004-AA	5305-99-122-5260	Civata-Pompayı Kapağa	Bolt-Pump to Cover	1	ADET

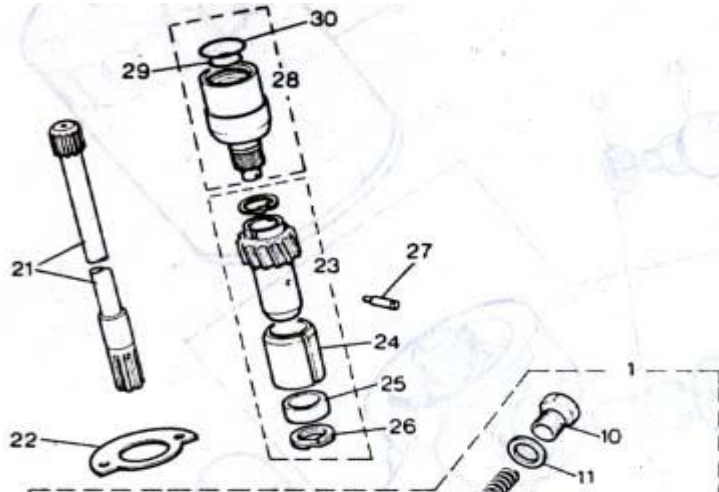




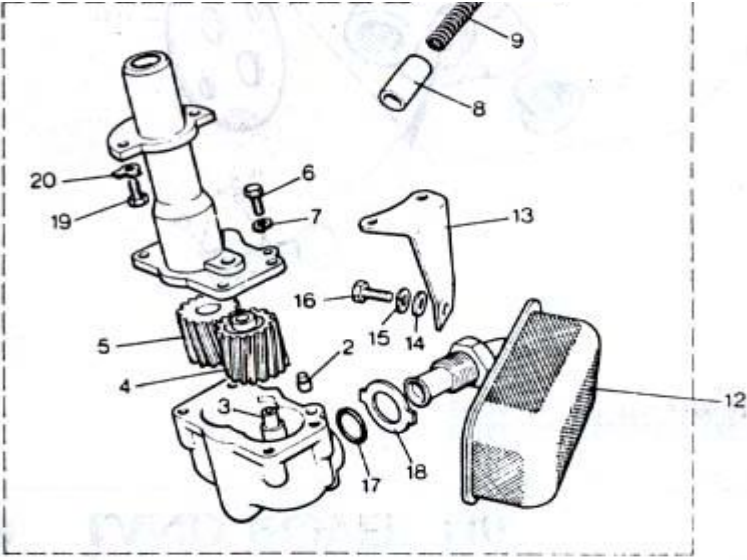
14	11000-80026-AA	5305-99-122-5261	Civata-Pompayı Kapağa	Bolt-Pump to Cover	2	ADET
15	11000-80027-AA	5306-99-788-7597	Civata-Pompayı Kapağa	Bolt-Pump to Cover	1	ADET
16	11000-80302-AA	5310-27-006-2928	Yaylı Rondela	Spring Washer	4	ADET
17	ERC5654	2930-99-727-6619	Hortum-Geçiş Borusu	Hose-By-Pass Pipe	1	ADET
18	CN100408L	4730-99-788-7623	Hortum Keleçesi	Hose Clip	2	ADET
19	ERC6504	3030-99-839-5442	Pervane Kayışı	Fan Belt	1	ADET

### LAND ROVER 110 YEDEK PARÇALARI

#### MOTOR-YAĞ POMPASI-2,5 DİZEL



1-60		MOTOR, VOLAN, DEBRİYAJ, ENGINE, FLYWHEEL, CLUTCH				
RES. NO	PARÇA NO	NATO STOK NO	MALZEMENİN ADI	MALZEMENİN YABANCI ADI	KOMP. MİK.	DAG. BİRİMİ
1	ERR1117	4320-99-499-8356	Yağ Pompası Komple	Oil Pump Assembly	1	ADET
2	236257	2995-00-028-1595	Tapa	Dowel	2	ADET
3	ERR1063	2805-99-131-0405	Mil-Avara Dişlisi	Spindle-Idler Wheel	1	ADET
4	ERR1088	3020-99-563-5008	Avara Dişli Komitesi	Idler Wheel Assembly	1	ADET
5	ERC9706	3020-99-735-4735	Tahrik Dişlisi	Drive Wheel	1	ADET
6	11000-80016-AA	5306-27-006-2703	Civata	Screw	4	ADET
7	11000-80302-AA	5310-27-006-2928	Yaylı Rondela	Spring Washer	4	ADET
8	ETC4880	5340-99-735-4736	Piston-Yağ Boşaltma	Plunger-Oil Relief	1	ADET
9	564456	5360-99-806-2194	Yay-Yağ Çıkış	Spring-Oil Relief	1	ADET
10	564455	5340-99-808-4734	Tapa-Yağ Çıkış	Plug-Oil Relief	1	ADET
11	232044	5330-99-804-6594	Bağlantı Pulu	Joint Washer	1	ADET
12	ERC7530	2805-99-779-9471	Filtre	Filter	1	ADET
13	ERC7940	2940-99-799-8881	Destek Braketi	Support Bracket	1	ADET
14	71A00-80324-AA	5310-99-122-6475	Pul	Washer	1	ADET
15	11000-80302-AA	5310-27-006-2928	Yaylı Rondela	Spring Washer	1	ADET
16	11000-80016-AA	5306-27-006-2703	Civata	Bolt	1	ADET
17	244488	5330-99-850-0450	O-Ring	O-Ring	1	ADET



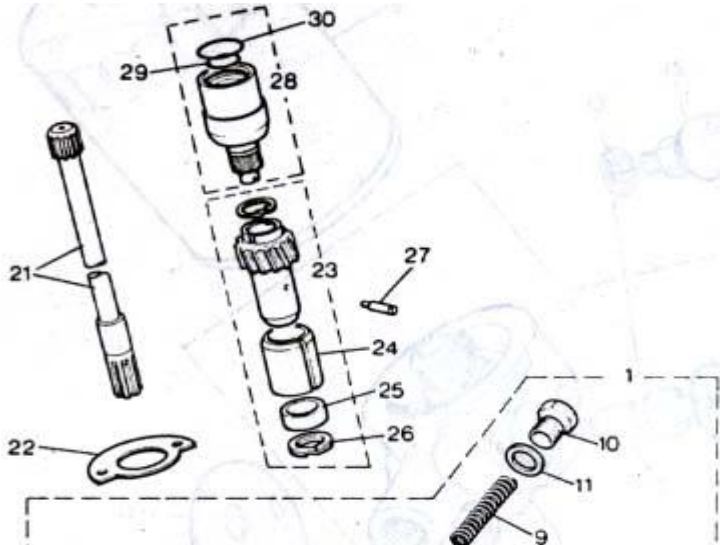
18	244487	5310-99-850-0449	Kilitli Pul	Lock Washer	1	ADET
19	11000-80017-AA	5306-27-006-2704	Vida	Screw	2	ADET
20	247665	5310-99-137-9121	Kilitli Pul	Lock Washer	2	ADET
21	ERR850	2815-99-956-9144	Tahrik Mili	Drive Shaft	1	ADET
22	ERC8408	5330-99-764-3482	Conta	Gasket	1	ADET

### LAND ROVER 110 YEDEK PARÇALARI

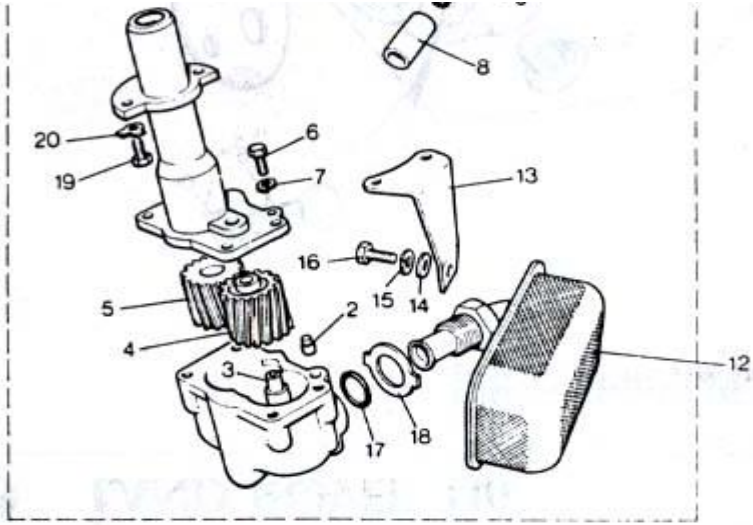
1-61

### MOTOR, VOLAN, DEBRİYAJ, ENGINE, FLYWHEEL, CLUTCH

### MOTOR-YAĞ POMPASI-2,5 DİZEL ENGINE-OIL PUMP-2,5 DIESEL



RES. NO	PARÇA NO	NATO STOK NO	MALZEMENİN ADI	MALZEMENİN YABANCI ADI	KOMP. MİK.	DAG. BİRİMİ
23	ETC6139	2805-99-724-5824	TAHRİK MİLİ	DRIVE SHAFT	1	ADET
24	522745	2805-99-874-0582	Burç	Bush	1	ADET
25	ETC6137	3120-99-735-4739	Dayama Pulu	Thrust Washer	1	ADET
26	ETC6138	5310-99-735-4740	Kilitleme Halkasi	Locking Ring	1	ADET
27	ETC6142	5305-99-735-4741	Vida-Şaft Tutucu	Screw-Locating Shaft	1	ADET
28	ETC4706	3040-99-942-4776	Kaplin-Tahrik Milinden Vakum Pom	Coupling-Drive Shaft to Vacuum	1	ADET
29	RTC6167	5331-66-128-8491	O'Ring-iç	O'Ring-Inner	1	ADET
30	RTC6168		O'Ring-Dış	O'Ring-Outer	1	ADET



NOT:Kaplın ve Tahrik Mili Toplanmadan önce Tahrik milindeki tapa çıkartılmalıdır.

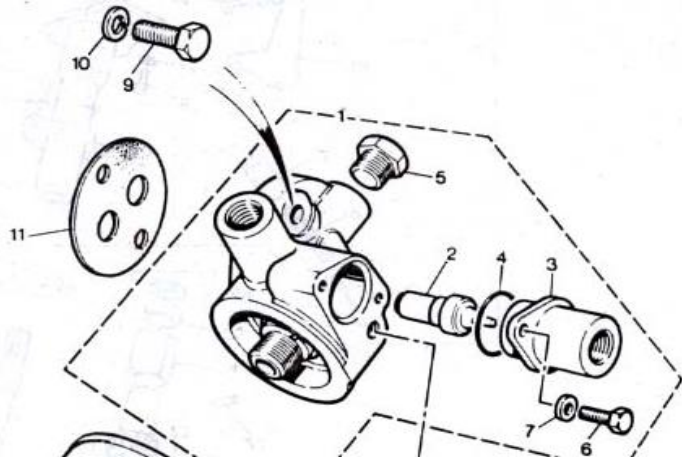
## LAND ROVER 110 YEDEK PARÇALARI

1-62

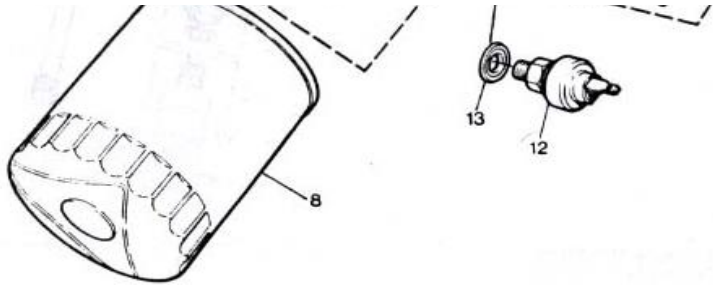
## MOTOR, VOLAN, DEBRİYAJ, ENGINE, FLYWHEEL, CLUTCH

### MOTOR-YAĞ SOĞUTUCU YAĞ FİLTRESİ-2,5 DİZEL ENGINE-OIL FILTER WITH OIL COOLER-2,5 DIESEL

RES. NO	PARÇA NO	NATO STOK NO	MALZEMENİN ADI	MALZEMENİN YABANCI ADI	KOMP. MİK.	DAĞ. BİRİMİ
1	ERR1347	2805-99-396-0322	YAG SOĞUTUCULU YAG FİLTRESİ	OIL FILTER ADAPTOR ASSEMBLY	1	ADET
2	ERC5923	6620-99-739-9266	Termostat Ucu	Thermostat Bulb	1	ADET
3	ETC4022	2805-99-739-9278	Adaptör	Adaptor	1	ADET
4	ERC5913	5330-99-749-5532	O Ring	O Ring	1	ADET
5	ETC4021	5365-99-740-0277	Tapa	Plug	1	ADET
6	71A10-80068-AA	5306-27-006-2716	Civata	Screw	2	ADET
7	11000-80351-AA	5310-27-006-2934	Düz Pul	Plain Washer	2	ADET
8	ERR1168	2940-99-930-4794	Fitre Elamanı	Element;Oil Filter	1	ADET
9	11000-80038-AA	5306-27-006-2709	Filtre Saplaması	Screw-Filter to Block	2	ADET
10	11000-80303-AA	5310-27-006-2929	Yaylı Rondela	Spring Washer	2	ADET
11	ETC7582		Conta,Yağ Filtresi	Gasket Oil Filter	1	ADET
12	PRC6387	5930-99-775-7685	Müşir-Yağ Basınç	Switch-Oil Pressure	1	ADET
13	232039	5330-99-850-0226	Pul	Joint Washer	1	ADET

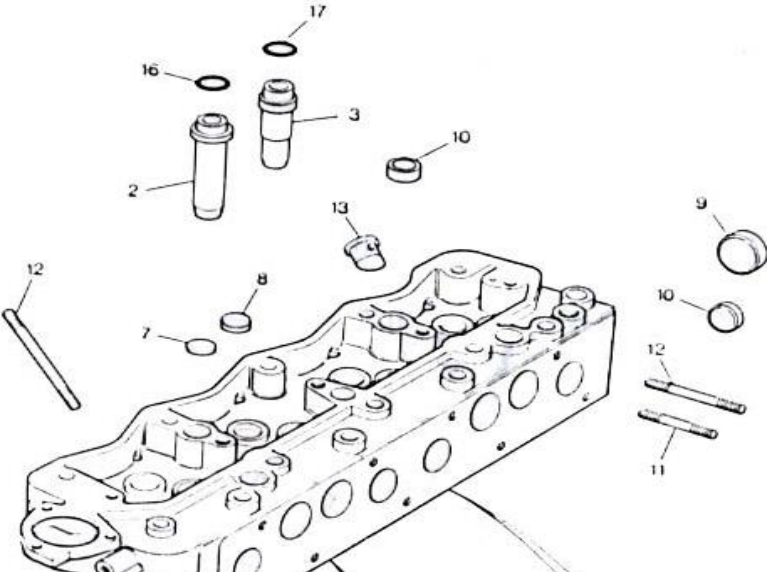






## LAND ROVER 110 YEDEK PARÇALARI

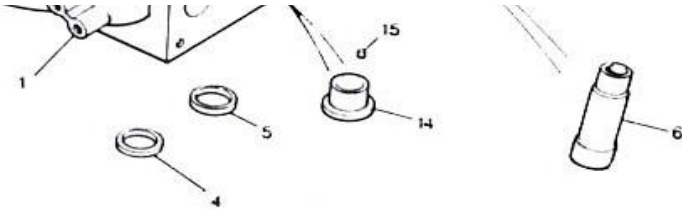
### MOTOR-SİLİNDİR KAPAĞI-2,5 DİZEL ENGINE-CYLINDER HEAD-2,5 DIESEL



## 1-63

## MOTOR, VOLAN, DEBRİYAJ, ENGINE, FLYWHEEL, CLUTCH

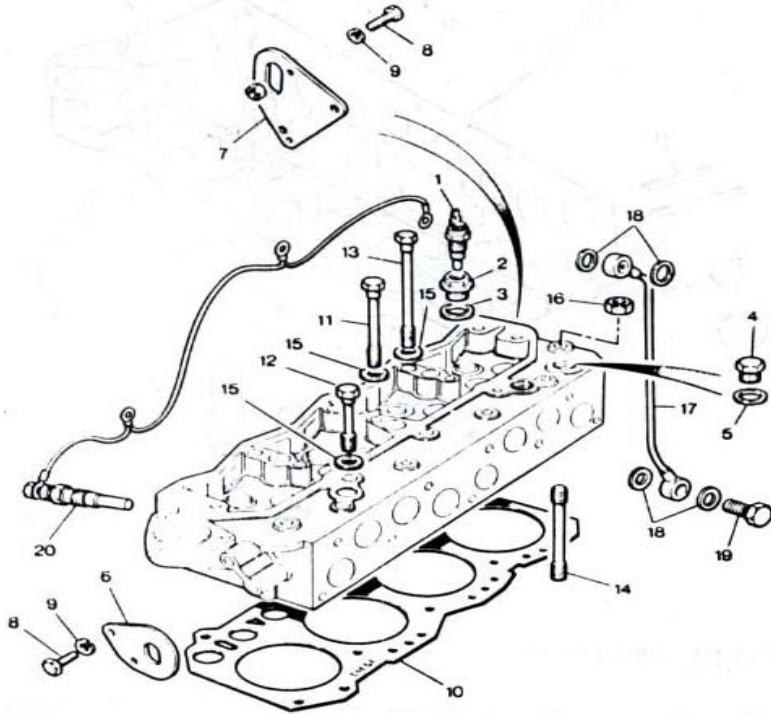
RES. NO	PARÇA NO	NATO STOK NO	MALZEMENİN ADI	MALZEMENİN YABANCI ADI	KOMP. Mik.	DAĞ. BİRİMİ
1	ETC4649	2815-99-734-9170	Silindir Kapağı,Komple	CYLINDER HEAD-ASSEMBLY	1	ADET
	RTC6796	2815-99-977-5089	Silindir Kapağı,Komple	CYLINDER HEAD-ASSEMBLY	1	ADET
2	568688	2815-99-761-0070	Kılavuz Yatak-Emme Sübabı	Valve Guide-Inlet	4	ADET
3	568689	2815-99-806-8812	Kılavuz Yatak-Egzost Subabı	Valve Guide-Exhaust	4	ADET
4	ERC9631	2815-99-734-9178	Yatak-Egzost Sübabı	Insert-Valve Seat-Exhaust	4	ADET
5	ETC4643	2815-99-734-9177	Yatak-Emme Sübabı	Insert-Valve Seat-Inlet	4	ADET
6	ERC8663	2815-99-734-5730	İtecek Tüpü	Tube-Push Rod	8	ADET
7	250830	5340-99-806-8816	Tapa-Düz	Plug-Welch	2	ADET
8	525497	5340-99-806-2193	Tapa-Çukur	Cup Plug	9	ADET
9	524765	5340-99-873-8095	Tapa-Çukur	Cup Plug	1	ADET
10	602289	5340-99-824-1611	Tapa-Çukur	Cup Plug	2	ADET
11	TE108051L	5307-99-943-1034	Saplama-Manifold	Stud-Manifold Fixing	5	ADET
12	TE108071L	5307-99-770-9649	Saplama	Stud	12	ADET
13	ERC9501	2815-99-734-9182	Enjektör Takozu	Shroud-Injector	4	ADET
14	ETC8620	2815-99-036-4980	Ön Yanma Odası	Hot Plug	4	ADET
15	PA105101L	5315-99-762-3204	Merkezleme Pimi-Ön Yanma Odası	Locating Peg-Hot Plug	4	ADET
16	ETC4709	2805-99-809-2333	O'Ring-Emme Sübabı	Seal-Inlet valve	4	ADET
17	ETC4751	2910-99-790-2113	O'Ring-Egzost Sübabı	Seal-exhaust valve	4	ADET



NOT1:Motor No 12J42200C'ye kadar.  
NOT2:Motor No 12J42201C'den itibaren.

## LAND ROVER 110 YEDEK PARÇALARI

### MOTOR-SİLİNDİR KAPAĞI-2,5 DİZEL



1-64

## MOTOR, VOLAN, DEBRİYAJ, ENGINE, FLYWHEEL, CLUTCH

RES. NO	PARÇA NO	NATO STOK NO	MALZEMENİN ADI	MALZEMENİN YABANCI ADI	KOMP. MİK.	DAG. BİRİMİ
1	PRC2505	6685-99-839-5424	Hararet Müşiri	Transmitter,Water Temperature	1	ADET
	PRC6663	6685-99-851-8005	Hararet Müşiri	Transmitter,Water Temperature	1	ADET
2	ERC9432	4730-99-734-5731	Adaptör Müşir	Adaptor Transmitter	1	ADET
3	10802070	5310-99-770-8957	Pul-Adaptör	Washer-Adaptor	1	ADET
4	ERC9448	5365-99-780-0071	Tapa-Arka Isıtma Deliği	Plug-Rear Heater Hole	1	ADET
	RTC6851	4730-99-830-5637	Tapa	Plug	1	ADET
5	AFU1890L	4730-99-780-0072	Pul-Tapa	Joint Washer-Plug	1	ADET
	243960	5330-99-845-0011	Pul	Joint Washer	1	ADET
6	ERC2254	2805-99-833-8891	Mapa-Ön	Lifting bracket-front	1	ADET
7	ETC7135		Mapa-Arka	Lifting bracket-rear	1	ADET
8	11000-80016-AA	5306-27-006-2703	Civata-Mapayı Kapağa	Screw-Bracket to Head (SH108201)	4	ADET
9	11000-80302-AA	5310-27-006-2928	Yaylı Rondela-Mapayı Kapağa	Spring Washer-Brack.to Head (WL108001)	4	ADET
10	ETC7788	5330-99-791-9337	Silindir Kapak Contası	Gasket block to head	1	ADET
11	247051	2805-99-824-7094	Silindir Kapak Saplama	Bolt-Head to Block	9	ADET
12	247683	5306-99-806-8884	Silindir Kapak Saplama	Bolt-Head to Block	2	ADET
13	247723	5306-99-806-8885	Silindir Kapak Saplama	Bolt-Head to Block	5	ADET
14	90518466	5307-99-806-8886	Saplama-Kapağı Bloğa	Stud-Heat to Block	2	ADET
15	ERC6821	5310-99-763-3471	Pul-Saplama	Washer-Head to Block	18	ADET
16	NH608061L	5310-99-941-8424	Saplama Somunu	Nut-Head to Block	2	ADET
17	275679	4710-99-850-1554	Yağ Borusu-Piyano Yağ Beslemesi	Pipe-Oil Feed to Rockers	1	ADET
18	ETC6510	5330-99-152-3241	Düz Pul	Joint Washer	4	ADET
19	ETC4498	4730-99-734-5733	Rakor Saplama	Banjo bolt	2	ADET
20	ERC8450	2920-99-839-6964	Kızdırma Bujisi	Glow Plug	4	ADET
21	PRC6295	2590-99-776-9548	Kablo-Kızdırma Bujileri	Cable Assembly-Glow Plug	1	ADET

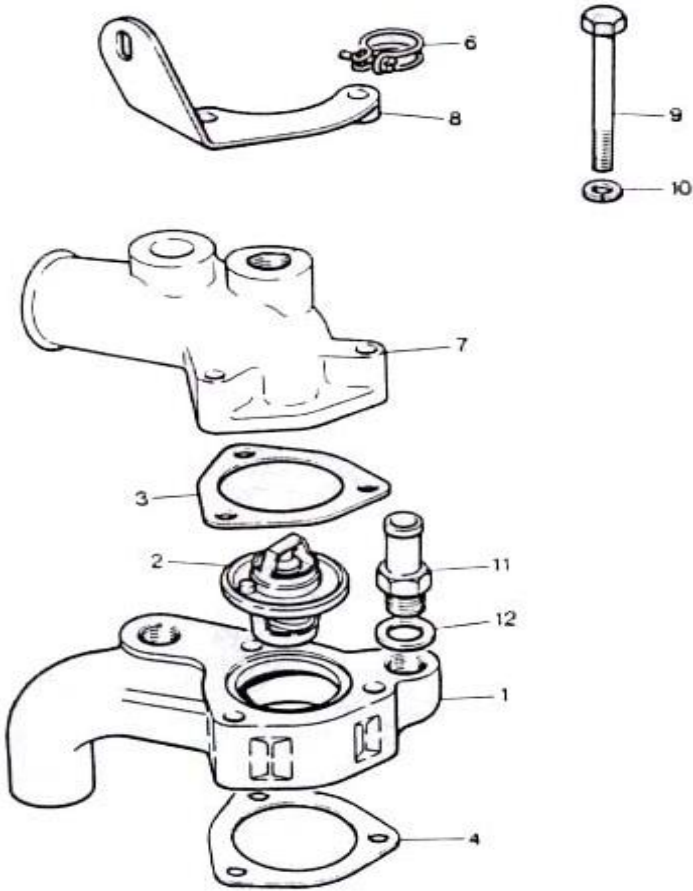
NOT1:Motor No 12J42200C'ye kadar.  
NOT2:Motor No 12J42201C'den itibaren.

## LAND ROVER 110 YEDEK PARÇALARI

1-65

## MOTOR, VOLAN, DEBRİYAJ, ENGINE, FLYWHEEL, CLUTCH

### MOTOR-TERMOSTAT YUVASI-2,5 DİZEL ENGINE-THERMOSTAT HOUSING-2,5 DIESEL



RES. NO	PARÇA NO	NATO STOK NO	MALZEMENİN ADI	MALZEMENİN YABANCI ADI	KOMP. Mik.	DAG. BİRİMİ
1	ERC8758	2930-99-735-5733	Termostat Yuvası	Thermostat Housing	1	ADET
2	ETC4763	6620-99-805-3486	Termostat-82 C	Thermostat-82 C	1	ADET
3	ERR977	5330-99-108-9220	Conta-Termostat Yuvası Çıkış Borusu	Gasket-Outlet Pipe Thermo Housing	1	ADET
4	247874	5330-99-850-1105	Conta-Termostat Yuvası Kapak	Gasket-Thermo Housing to Head	1	ADET
6	CN100258	4730-99-533-2960	Hortum Kelepçesi	Hose-Clip	2	ADET
7	ETC5967	2930-99-741-7045	Su Çıkış Bağlantısı	Water Outlet Connector	1	ADET
8	ETC5965		Bağlantı Braketi	Bracket-Cowl Mounting	1	ADET
9	BH106151L	5306-99-122-8100	Civata	Bolt	3	ADET
10	11000-80301-AA	5310-99-208-6458	Yaylı Rondela-Kapak	Spring Washer-Cover to Head (WL106001)	3	ADET
11	624091	2540-99-825-0861	Adaptör-Yuva/Bay-Pas Borusu	Adaptor-Housing/By Pass Pipe	2	ADET
12	243959	5330-99-850-1592	Bağlantı Pulu	Joint Washer	2	ADET

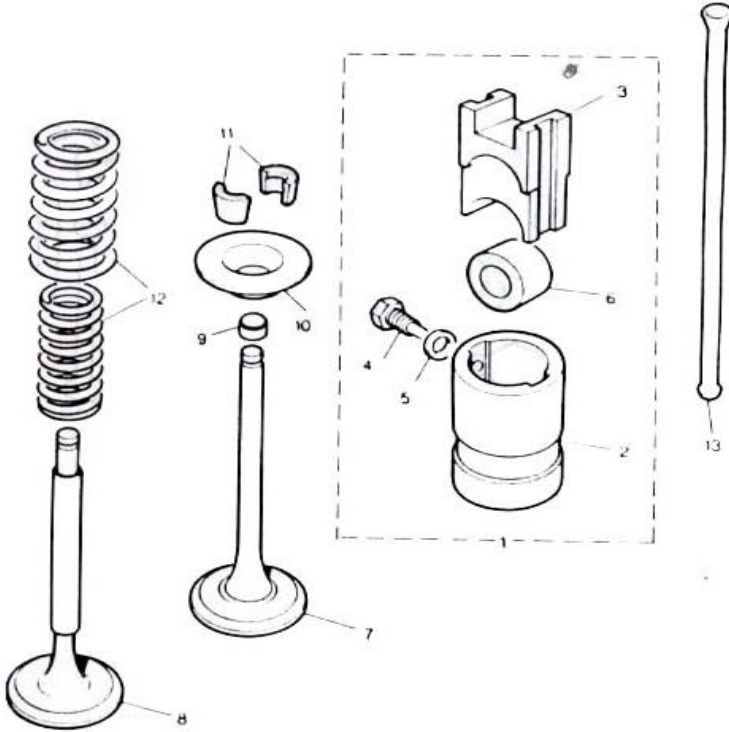
## LAND ROVER 110 YEDEK PARÇALARI

1-66

## MOTOR, VOLAN, DEBRİYAJ, ENGINE, FLYWHEEL, CLUTCH

## MOTOR-SUBAPLAR VE TAPETLER-2,5 DİZEL

RES. NO	PARÇA NO	NATO STOK NO	MALZEMENİN ADI	MALZEMENİN YABANCI ADI	KOMP. MİK.	DAG. BİRİMİ
1	507829	2805-99-850-1622	İtici Kompleksi	Tappet Assembly	8	ADET
2	502473	2805-99-804-6596	Yolluk,Subap	Tappet Guide	8	ADET
3	ETC5057	2805-99-895-1607	Tappet Kızağı	Tappet Slide	8	ADET
4	ETC4246	5305-99-788-1265	Civata	Bolt	8	ADET
5	273069	5310-99-895-2066	Pul	Plain Washer	8	ADET
6	90517429	3120-99-804-6597	Kam Makarası	Roller Foilower	8	ADET
7	ETC5739	2815-99-793-5712	Sübab-Emme	Valve-Inlet	4	ADET
8	ERR1230	2815-99-428-3833	Sübab-Egzost	Valve-Exhaust	4	ADET
9	ERR1158	2815-99-252-8195	Subap Gövdesi Koruma Kapağı	Valve Stem Protection cap	8	ADET
10	ETC4068	5340-99-779-9484	Şapka-Sübab Yay	Cup-Valve Spring	8	ADET
11	ETC4069	2805-99-779-9485	Tırnak-Subap	Split Cotter Halves	16	ADET
12	568550	5360-99-301-0001	Yay,Subap	Spring,Valves	8	ADET
13	546799	2815-99-806-8897	İtecek	Push Rod	8	ADET



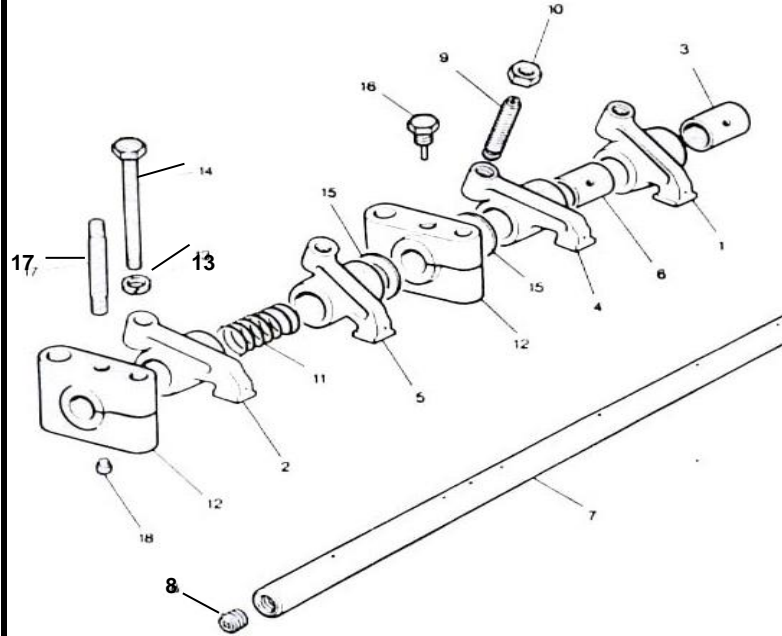
NOT:Bu parça subap gövdesinde veya kulbutorde aşırı aşınma varsa takılmamalıdır.

## LAND ROVER 110 YEDEK PARÇALARI

1-67

## MOTOR, VOLAN, DEBRİYAJ, ENGINE, FLYWHEEL, CLUTCH

## MOTOR-PİYANO MİLİ-2,5 DİZEL



RES. NO	PARÇA NO	NATO STOK NO	MALZEMENİN ADI	MALZEMENİN YABANCI ADI	KOMP. MİK.	DAG. BİRİMİ
1	ERC9060	2815-99-725-3541	Piyano Egzost-Sağ	Valve Rocker Assembly-Exhaust-RH	2	ADET
2	ERC9059	2815-99-725-3540	Piyano Egzost-Sol	Valve Rocker Assembly-Exhaust-LH	2	ADET
3	247738	2815-99-806-8892	Piyano Burcu	Bush-Valve Rockers	4	ADET
4	ERC9055	2815-99-734-5734	Piyano Emme Sol	Valve Rocker Assembly-Inlet-LH	2	ADET
5	ERC9056	2815-99-734-5735	Piyano Emme Sağ	Valve Rocker Assembly-Inlet-RH	2	ADET
6	247737	2815-99-806-8895	Piyano Burcu	Bush-Valve Rockers	4	ADET
7	ERC6341	3040-99-806-8898	Piyano Mili	Shaft-Valve Rockers	1	ADET
8	ERC6337	5340-99-774-9281	Mil Tapası	Plug-Shaft	2	ADET
9	ERC9054	2805-99-798-9671	Ayar Vidası	Screw-Tappet Adjuster	8	ADET
10	NT108041L	5310-99-139-0313	Kilit Somunu-Ayar Vidası	Locknut-Screw	8	ADET
11	247040	5360-99-850-0451	Yay	Spring	4	ADET
12	ERC9137	2815-99-725-3542	Piyano Ayağı	Bracket-Rocker Shaft	5	ADET
13	11000-80302-AA	5310-27-006-2928	Yaylı Rondela	Washer-Spring (WL108001)	5	ADET
14	14A00-80003-AA	5305-99-122-5257	Civata	Bolt (BH108111)	5	ADET
15	247153	5310-99-806-8899	Pul-Piyano Mili	Washer-Rocker Shaft	8	ADET
16	ETC4460	5305-99-725-3543	Mil Merkezleyici	Screw-Shaft Location	1	ADET
17	TD108091L		Saplama	Stud	3	ADET
18	277956	5315-99-849-9661	Merkezleme Pimi-Piyano Ayağı	Dowel-Rocker Shaft Bracket	3	ADET

## LAND ROVER 110 YEDEK PARÇALARI

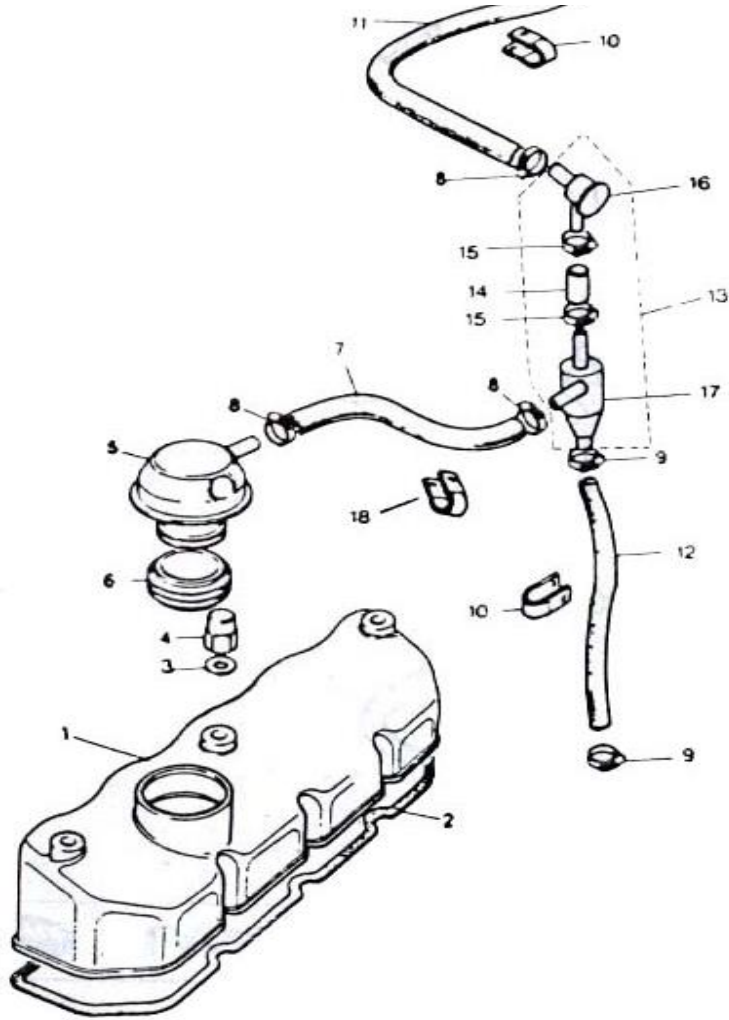
1-68

## MOTOR, VOLAN, DEBRİYAJ, ENGINE, FLYWHEEL, CLUTCH

## MOTOR-SUBAP KAPAĞI-2,5 DİZEL



RES. NO	PARÇA NO	NATO STOK NO	MALZEMENİN ADI	MALZEMENİN YABANCI ADI	KOMP. MİK.	DAG. BİRİMİ
1	ETC6924	2815-99-790-5136	Sübab Kapağı	Rocker Cover Assembly	1	ADET
2	ETC6438	5330-99-895-1546	Sübab Kapak Contası	Gasket-Cover to Cylinder Head	1	ADET
3	273069	5310-99-895-2066	Düz Pul	Washer Joint	3	ADET



4	ERC9220	5310-99-798-9672	Kubbe Somun	Nut-Dome	3	ADET
5	ERR1454	2815-99-839-5426	Süzgeçli Havalandırma	Breather Filter	1	ADET
	ERR737		Süzgeçli Havalandırma	Breather Filter	1	ADET
6	ERR736		'O' Ring	'O' Ring	1	ADET
7	ERR9728		Emme Manifoldu Hortumu	Hose-Breather to Manifold	1	ADET
	ETC7969	4720-99-254-2647	Emme Manifoldu Hortumu	Hose-Breather to Manifold	1	ADET
	ERR0412	4720-99-599-0513	Hortum	Hose-Breather to Manifold	1	ADET
8	RTC3499	4730-99-533-2962	Hortum Kelepçesi	Hose Clip	2	ADET
	71A00-38142-AA	4730-99-798-0799	Hortum Kelepçesi	Hose Clip	4	ADET
9	CN100208	4730-99-152-4901	Hortum Kelepçesi	Hose Clip	2	ADET
10	CP108251	5340-99-663-3705	P Klip	P Clip	2	ADET
11	ERR2891	4720-99-979-0748	Hortum	Hose	1	ADET
12	ERR1613	4720-99-396-0766	Hortum	Hose	1	ADET
13	ERR2887		Yağ Buhar Kapanı Komple	Cyclone/Brkt/Valve assy.	1	ADET
14	ERR2888	4720-99-811-7969	Hortum	Hose	1	ADET
15	CN100258	4730-99-533-2960	Hortum Kelepçesi	Hose Clip	2	ADET
16	ERR1468	2520-99-096-3313	Valf	Valve	1	ADET
17	ERR1484		Siklon	Cyclone	1	ADET
18	PYC10039		P Klip	P Clip	1	ADET
	YBH10005	4730-99-831-6935	Klip	Clip	1	ADET

NOT1:Motor No 12J42593C'ye kadar.  
NOT2:Motor No 12J42594C'den 12J49671'e kadar  
NOT3:Motor No 12J49672C'den itibaren.  
NOT4:Motor No 12J49671C'ye kadar.

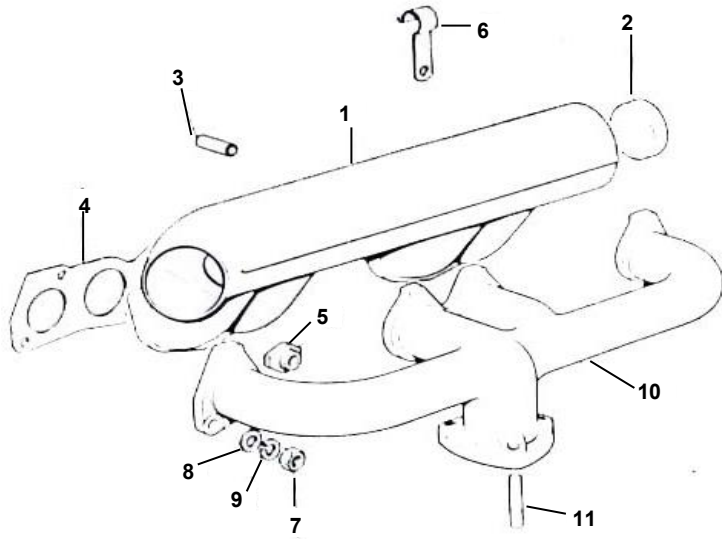
### LAND ROVER 110 YEDEK PARÇALARI

1-69

### MOTOR, VOLAN, DEBRİYAJ, ENGINE, FLYWHEEL, CLUTCH

#### MOTOR-MANİFOLDLAR-2,5 DİZEL

RES. NO	PARÇA NO	NATO STOK NO	MALZEMENİN ADI	MALZEMENİN YABANCI ADI	KOMP. MİK.	DAĞ. BİRİMİ
1	ERC6939	2815-99-735-5738	Emme Manifoldu	Inlet Manifold	1	ADET
	ERR362		Emme Manifoldu	Inlet Manifold	1	ADET
	ERR1627	2815-99-301-2427	Emme Manifoldu	Inlet Manifold	1	ADET
2	525428	5340-99-844-9944	Çukur Tapa	Plug-Cup	1	ADET
3	ERC6047	5315-99-735-5739	Tüp	Tube	1	ADET
4	ETC5312	5330-99-839-5446	Conta-Emme Manifoldu	Gasket-Manifold to Head	1	ADET
	ETC7750	5330-99-300-4203	Conta-Emme Manifoldu	Gasket-Manifold to Head	1	ADET
5	564308	2805-99-813-4209	Sıkma Köprüsü	Clamp-Manifold to Head	4	ADET



6	574654	5340-99-930-8945	Maşa	Clip-Manifold to Head	1	ADET
7	71A00-80203-AA	5310-27-006-2774	Somun	Nut (NH108041)	9	ADET
8	71A00-80324-AA	5310-99-122-6475	Pul	Washer Plain	9	ADET
9	11000-80302-AA	5310-27-006-2928	Yaylı Rondela	Spring Washer	9	ADET
10	ETC5331	2990-99-767-0935	Egzost Manifoldu	Exhaust Manifold	1	ADET
11	AFU1848L	5307-99-725-6990	Saplama	Stud	3	ADET

NOT1:Motor No 12J42593C'ye kadar  
 NOT2:Motor No 12J42594C'den 12J49671'e kadar  
 NOT3:Motor No 12J49672C'den itibaren

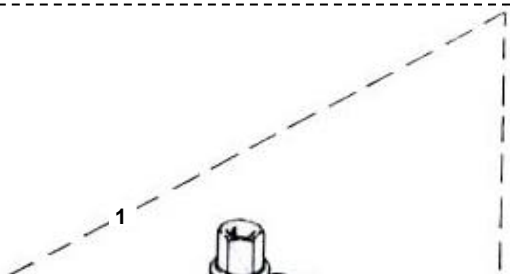
## LAND ROVER 110 YEDEK PARÇALARI

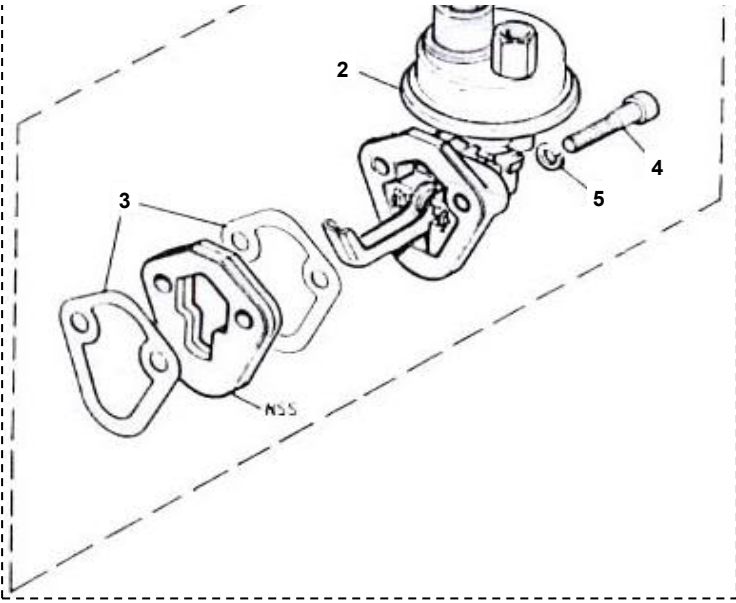
1-70

## MOTOR, VOLAN, DEBRİYAJ, ENGINE, FLYWHEEL, CLUTCH

### MOTOR-YAKIT POMPASI-2,5 DİZEL

RES. NO	PARÇA NO	NATO STOK NO	MALZEMENİN ADI	MALZEMENİN YABANCI ADI	KOMP. Mik.	DAG. BİRİMİ
1	RTC6180	2910-99-700-4936	Yakıt Pompası	Fuel Pump	1	ADET
2	ETC7869	2910-99-793-5715	Yakıt Pompası	Fuel Pump	1	ADET
3	275565	2910-99-850-0576	Conta-Yakıt Pompası-Yan Kapak	Gasket-Fuel Pump-Side Cover	1	ADET
	ETC7970	5330-99-025-5020	Conta-Yakıt Pompası-Yan Kapak	Gasket-Fuel Pump-Side Cover	2	ADET
4	SS108301L		Soket Civata	Socket Screw	2	ADET
5	71A00-80324-AA	5310-99-122-6475	Pul	Washer Plain	2	ADET





NOT1:Motor No 12J39054C'ye kadar  
NOT2:Motor No 12J39055C'den itibaren

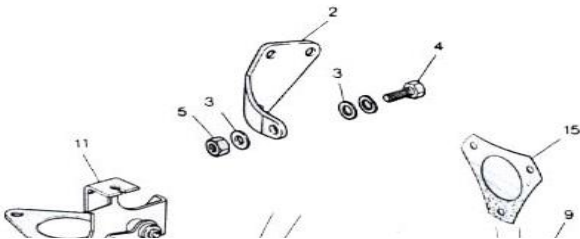
## LAND ROVER 110 YEDEK PARÇALARI

1-71

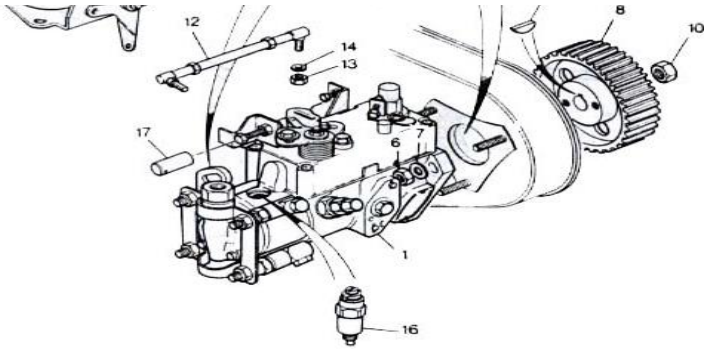
## MOTOR, VOLAN, DEBRİYAJ, ENGINE, FLYWHEEL, CLUTCH

### MOTOR-ENJEKSİYON POMPASI-2,5 DİZEL

RES. NO	PARÇA NO	NATO STOK NO	MALZEMENİN ADI	MALZEMENİN YABANCI ADI	KOMP. MİK.	DAG. BİRİMİ
1	ERC6761	2910-99-839-5449	Püskürtme Pompası	Distributor Pump	1	ADET
2	ETC4070		Tespit Ayağı	Bracket-Support-Pump	1	ADET
3	11000-80324-AA	5310-99-122-6475	Pul-Pompadan Brakete	Washer-Pump to Bracket	2	ADET
4	11000-80017-AA	5306-27-006-2704	Civata-Pompadan Brakete	Bolt-Pump to Bracket	1	ADET
5	14C01-80243-AA	5310-27-006-2761	Somun-Pompadan Brakete	Nut-Pump to Bracket	1	ADET
6	14C01-80243-AA	5310-27-006-2761	Somun	Nut	3	ADET
7	11000-80324-AA	5310-99-122-6475	Pul	Washer	3	ADET
8	ETC5717	2910-99-735-2438	Kasnak	Pulley	1	ADET
9	RTC5077	5315-99-781-0500	Kasnak Kaması	Key-Pulley	1	ADET
10	71A10-80212-AA	5310-27-006-2776	Kasnak Somunu	Nut-Fixing Pulley	1	ADET
11	ETC6675	2910-99-735-2451	Gaz Kontrol Sistemi	Throttle Lever And Bracket Assembly	1	ADET
12	ETC4417	2910-99-735-2452	Gaz Kontrol Aktarma Takımı	Throttle Link Assembly	1	ADET
13	71A00-80200-AA	5310-27-006-2771	Somun	Nut	2	ADET
14	11000-80315-AA		Pul	Washer	2	ADET
15	ETC4440	5330-99-735-2439	Conta-Pompadan Kapağa	Gasket-Pump to Cover	1	ADET
16	BAU4611L	2910-99-735-2455	Yakıt Kesme Rölesi	Switch-Fuel Cut-Off	1	ADET



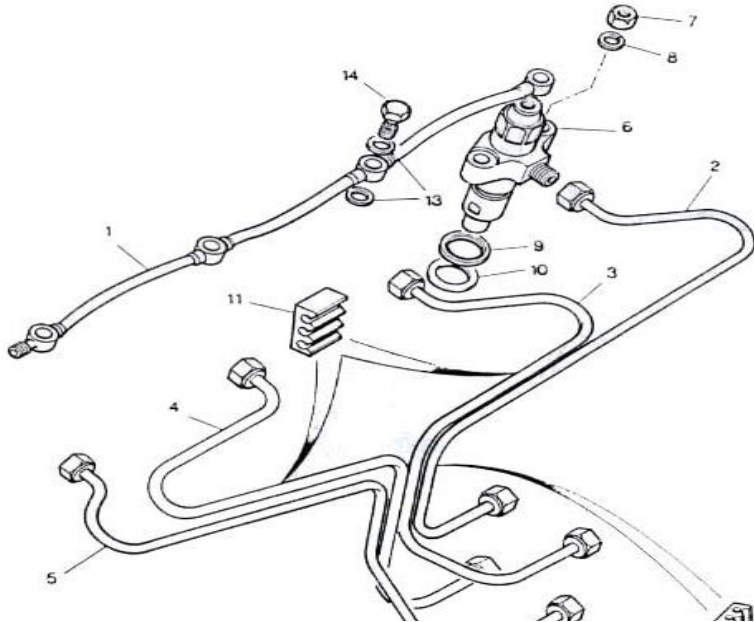




17	ETC4752	2910-99-735-2454	Tam Gaz Dayaması	Sleeve-Locking Speed Stop	1	ADET
18	RTC5891		Jikle Dönüş Yayı	Spring-Throttle Return	1	ADET

### LAND ROVER 110 YEDEK PARÇALARI

### MOTOR-ENJEKTÖRLER VE BORULARI-2,5 DİZEL ENGINE-INJECTORS AND PIPES-2,5 DIESEL



1-72		MOTOR, VOLAN, DEBRİYAJ, ENGINE, FLYWHEEL, CLUTCH				
RES. NO	PARÇA NO	NATO STOK NO	MALZEMENİN ADI	MALZEMENİN YABANCI ADI	KOMP. Mik.	DAG. BİRİMİ
1	ERC4480	2910-99-834-8111	Tahliye Hattı	Spill Rail Assembly	1	ADET
2	ETC4291	4730-99-735-5741	1.Enjektör Borusu	Pipe Injection No.1	1	ADET
3	ETC4292	4730-99-735-5743	2.Enjektör Borusu	Pipe-Injector No.2	1	ADET
4	ETC4293	4730-99-735-5744	3.Enjektör Borusu	Pipe-Injector No.3	1	ADET
5	ETC4294	4730-99-735-5748	4.Enjektör Borusu	Pipe-Injector No.4	1	ADET
6	564332	2910-99-825-4166	Enjektör	Injektör	4	ADET
	247726	2910-99-806-7460	Enjektör Memesi	Nozzle	4	ADET
7	71A00-80203-AA	5310-27-006-2774	Enjektör Saplama Somunu	Nut-Injektör to Head (NH108041)	8	ADET
8	11000-80302-AA	5310-27-006-2928	Yaylı Rondela-Enjektörden Gövdeye	Spring Washer-Inj.to Head (WL108001)	8	ADET
9	247179	5310-99-807-7423	Enjektör Oturma Pulu	Washer-Joint-Injector	4	ADET
10	12H220L	5310-99-895-1605	Yaylı Rondela-Enjektör	Spring Washer-Injector	4	ADET
11	ETC4156	5340-99-735-5752	Enjektör Boru Maşası	Clip-Injector Pipes	2	ADET
12	ETC4308	5340-99-735-5753	Enjektör Boru Maşası	Clip-Injector Pipes	1	ADET
13	273069	5310-99-895-2066	Tahliye Rakoru Sızdırmazlık Pulu	Washer-Joint-Leak Off Pipe	8	ADET
14	273521	4730-99-807-0175	Rakor Saplama 1.,2.,3. Enjektörler	Banjo-1,2,3 Injectors	3	ADET
	563195	4730-99-825-4823	Rakor Saplama 4. Enjektör	Banjo-4 Injector	1	ADET

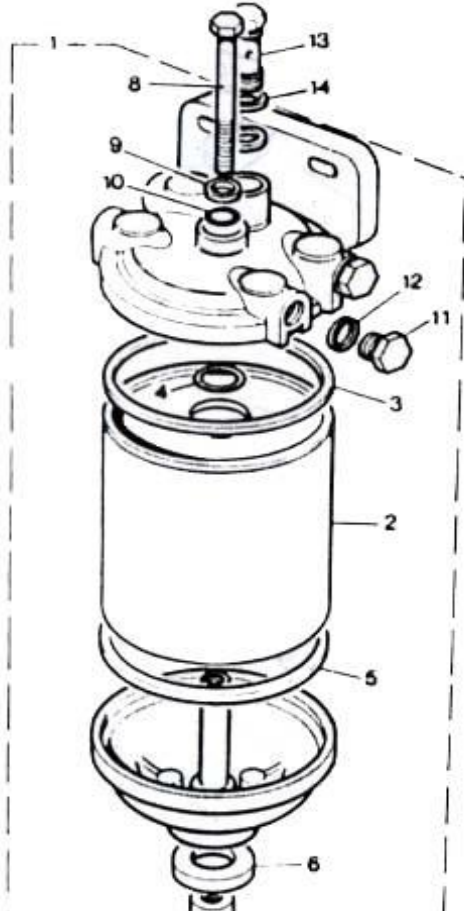


## LAND ROVER 110 YEDEK PARÇALARI

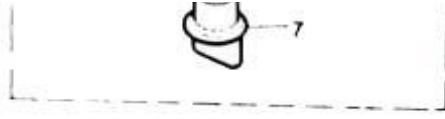
1-73

MOTOR, VOLAN, DEBRİYAJ, ENGINE, FLYWHEEL, CLUTCH

### MOTOR-YAKIT FİLTRESİ-2,5 DİZEL



RES. NO	PARÇA NO	NATO STOK NO	MALZEMENİN ADI	MALZEMENİN YABANCI ADI	KOMP. MİK.	DAĞ. BİRİMİ
1	563190	2910-99-829-4717	YAKIT FİLTRESİ	FUEL FILTER	1	ADET
2	90517711	2910-99-881-8769	Eleman	Element	1	ADET
3	AAU9903	5330-99-829-2705	Conta	Seal	1	ADET
4	37H575 L	5330-99-255-1144	Eleman Dip Keçesi	Seal-Element-Small	1	ADET
5	AAU9902	5330-99-829-2704	Conta	Seal	1	ADET
6	605013	5310-99-203-4893	Boşaltma Tapası Lastiği	Seal-Drain Plug	1	ADET
7	605012	5310-99-829-1003	Boşaltma Tapası	Drain Plug	1	ADET
8	37H8119 L		Askı Saplaması	Bolt-Centre	1	ADET
9	522940	5330-99-802-2684	Askı Civata Pulu	Washer-Centre Bolt	1	ADET
10	37H770 L	5330-99-943-0008	Askı Saplama "O" Ringi	"O"Ring Centre Bolt	1	ADET
11	517689-L	5365-99-801-4379	Kör Tapa	Plug-Blanking	1	ADET
12	71A00-80354-AB	5310-27-006-2965	Conta	Joint Washer (517706)	1	ADET
13	13H1515 L	4730-99-807-8718	Rakor Saplaması	Bolt-Banjo	1	ADET
14	517976	5310-99-810-2218	Conta	Joint Washer	2	ADET
	11000-80019-AA	5306-27-006-2706	Civata	Screw (SH108301)	2	ADET
	11000-80302-AA	5310-27-006-2928	Rondela	Spring Washer	2	ADET
	11000-80324-AA	5310-99-122-6475	Pul	Plain Washer	2	ADET
	ATU1005L	5310-99-979-0658	Dübel Somunu	Nutsert	2	ADET



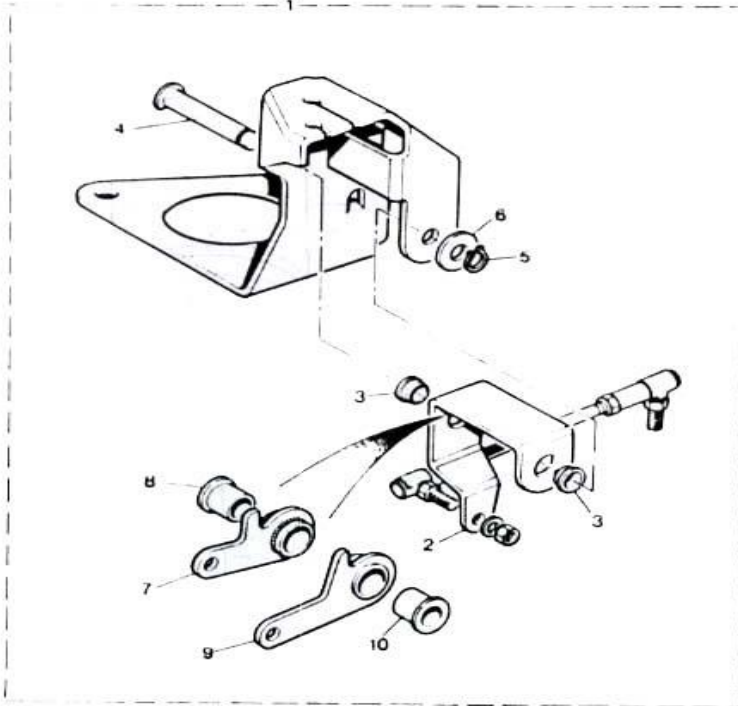
LAND ROVER 110 YEDEK PARÇALARI

1-74

MOTOR, VOLAN, DEBRİYAJ, ENGINE, FLYWHEEL, CLUTCH

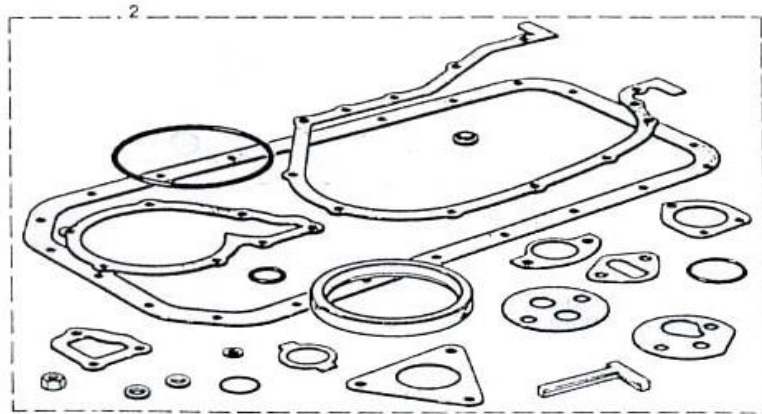
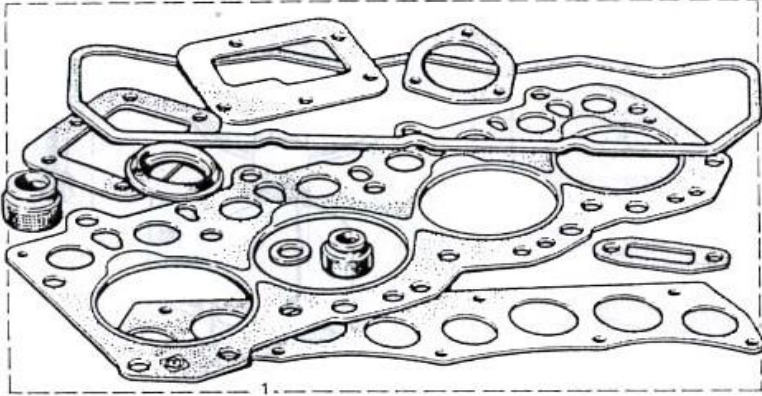
MOTOR-EL GAZI-2,5 DİZEL

RES. NO	PARÇA NO	NATO STOK NO	MALZEMENİN ADI	MALZEMENİN YABANCI ADI	KOMP. MİK.	DAĞ. BİRİMİ
1	ETC6630	2590-99-774-9206	EL GAZI KUMANDASI KOMPLE	HAND THROTTLE CONTROL ASSEMBLY	1	ADET
2	ETC4678	2910-99-741-2049	Gaz Kumanda Kolu Komitesi	Relay Lever Assembly	1	ADET
3	613915	3120-99-829-8988	Burç	Bush	2	ADET
4	ETC4686	5315-99-741-2050	Pim	Pivot Pin	1	ADET
5	CR120081L	5365-99-942-5707	Segman	Circlip	1	ADET
6	11000-80324-AA	5310-99-122-6475	Düz Pul	Plain Washer	1	ADET
7	ETC5182	2910-99-741-2057	Kelebek Kolu Komitesi	Throttle Lever Assembly	1	ADET
8	522932	3120-99-824-1925	Burç	Bush	1	ADET
9	ETC5183	2910-99-741-2048	El Gazı Kolu Komitesi	Hand Throttle Lever Assembly	1	ADET
10	522932	3120-99-824-1925	Burç	Bush	1	ADET



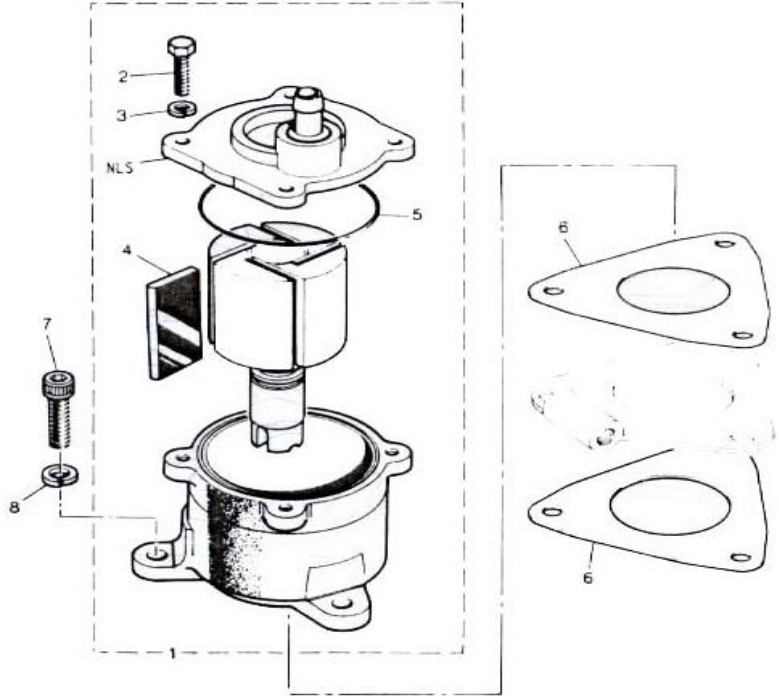
**LAND ROVER 110 YEDEK PARÇALARI****1-75****MOTOR, VOLAN, DEBRİYAJ, ENGINE, FLYWHEEL, CLUTCH****MOTOR-TAKIM CONTALAR-2,5 DİZEL**

RES. NO	PARÇA NO	NATO STOK NO	MALZEMENİN ADI	MALZEMENİN YABANCI ADI	KOMP. MİK.	DAG. BİRİMİ
1	RTC3037	5330-99-374-3096	Üst Conta Takımı	Kit-Gasket	1	ADET
2	RTC6084	5330-99-132-4097	Alt Conta Takımı	Kit-Gasket	1	ADET
	RTC3254	8030-99-225-3980	Sıvı Conta,Silikon 110 gr Tup	RTU Silicon Sealant 110 Gram Tube	1	ADET



LAND ROVER 110 YEDEK PARÇALARI

MOTOR-VAKUM POMPASI-2,5 DİZEL

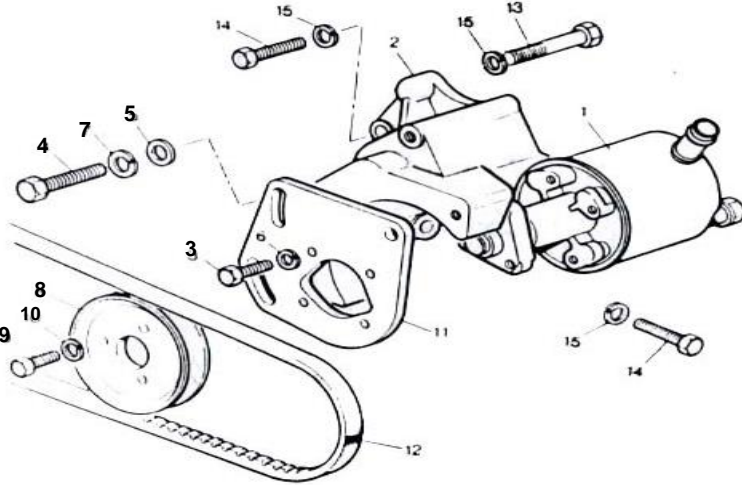


1-76

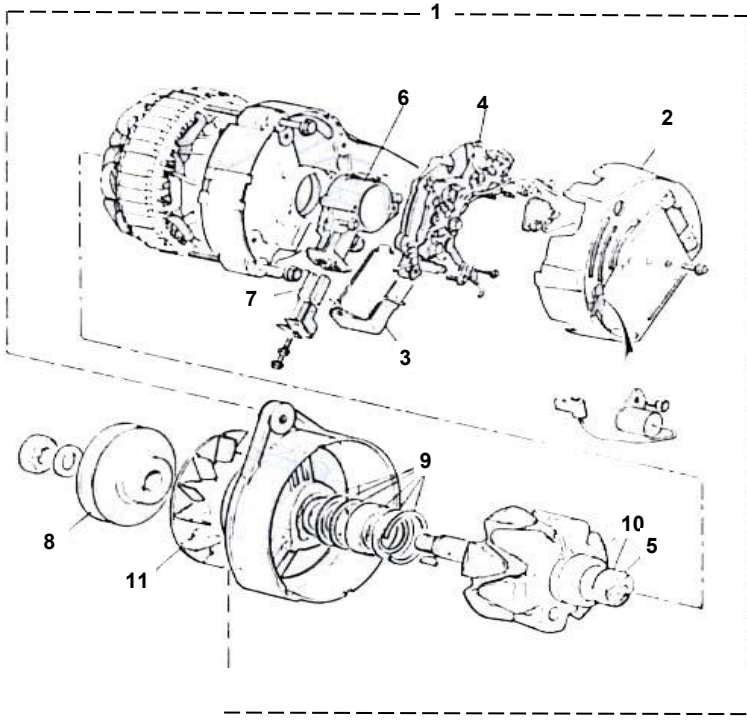
MOTOR, VOLAN, DEBRİYAJ, ENGINE, FLYWHEEL, CLUTCH

RES. NO	PARÇA NO	NATO STOK NO	MALZEMENİN ADI	MALZEMENİN YABANCI ADI	KOMP. Mik.	DAG. BİRİMİ
1	ERR535	4310-99-839-7383	Vakum Pompası-Komple	Vacuum Pump-Assy	1	ADET
2	AEU2720		Kovan Kapağı Saplaması	Bolt-End Plate to Body	4	ADET
3	11000-80301-AA	5310-27-006-2927	Yaylı Rondela	Spring Washer	4	ADET
4	AEU2718	4310-99-373-9582	Rotor Kanatçığı	Rotor Blade	4	ADET
5	AEU2719	5330-99-547-8932	Kapak "O" Ringi	"O" Ring-End Plate to Body	1	ADET
6	ETC4616	5330-99-850-0619	Conta	Gasket	2	ADET
7	SS108301L		Civata-Pompadan Brakete	Bolt-Pump to Bracket	3	ADET
8	71A00-80316-AA	5310-99-941-6655	Yaylı Rondela-Pompadan Brakete	Spring Washer-Pump to Bracket (WM600051	3	ADET

NOT:Kovan Kapağı, Vakum pompasıyla birlikte temin edilebilir.

LAND ROVER 110 YEDEK PARÇALARI		1-77	MOTOR, VOLAN, DEBRİYAJ, ENGINE, FLYWHEEL, CLUTCH					
MOTOR-TAKVİYELİ DİREKSİYON POMPASI-2,5 DİZEL ENGINE-POWER STEERING PUMP-2,5 DIESEL		RES. NO	PARÇA NO	NATO STOK NO	MALZEMENİN ADI	MALZEMENİN YABANCI ADI	KOMP. MİK.	DAG. BİRİMİ
		1	NTC8287		Takviyeli Direksiyon Pompası	Power Steering Pump	1	ADET
		2	ETC8854		Braket-Pompa Montaj	Bracket-Mounting Pump	1	ADET
		3	11000-80008-AA	5306-27-006-2700	Civata-Pompadan Brakete	Bolt-Pump to Bracket	4	ADET
		4	11000-80017-AA	5306-27-006-2704	Civata-Pompadan Brakete	Bolt-Pump to Bracket	3	ADET
		5	11000-80324-AA	5310-99-122-6475	Pul-Pompadan Brakete	Washer-Pump to Bracket	2	ADET
		6	11000-80301-AA	5310-27-006-2927	Yaylı Rondela-Pompadan Brakete	Spring Washer-Pump to Bracket	4	ADET
		7	11000-80302-AA	5310-27-006-2928	Yaylı Rondela-Pompadan Brakete	Spring Washer-Pump to Bracket	3	ADET
		8	ETC5783		Kasnak-Takviyeli Direksiyon Pompası	Pulley- Power Steering Pump	1	ADET
		9	73B00-80036-AA		Vida-Kasnaktan Pompaya	Screw-Pulley to Pump	3	ADET
		10	11000-80302-AA	5310-27-006-2928	Yaylı Rondela-Kasnaktan Pompaya	Spring Washer-Pulley to Pump	3	ADET
		11	ERR1976		Montaj Plakası	Mounting Plate	1	ADET
		12	ETC5815	3030-99-547-8597	Kayış-Tak.Dir.Pompası	Belt-Power Steering Pump	1	ADET
		13	11000-80095-AA	5306-27-006-2686	Civata	Bolt	1	ADET
		14	11000-80017-AA	5306-27-006-2704	Civata	Bolt	2	ADET
			11000-80019-AA	5306-27-006-2706	Civata	Bolt-P.A.S.	1	ADET
		15	11000-80302-AA	5310-27-006-2928	Yaylı Rondela	Spring Washer	4	ADET
16	RTC5935	2910-99-657-6339	Conta Takımı	Seal Kit	1	ADET		

LAND ROVER 110 YEDEK PARÇALARI		1-78	MOTOR, VOLAN, DEBRİYAJ, ENGINE, FLYWHEEL, CLUTCH					
MOTOR-ALTERNATÖR-2,5 DİZEL		RES. NO	PARÇA NO	NATO STOK NO	MALZEMENİN ADI	MALZEMENİN YABANCI ADI	KOMP. MİK.	DAG. BİRİMİ
		1	RTC5083E	2920-99-664-6722	ALTERNATÖR A115/45 AMP.	ALTERNATOR A115/45 AMP.	1	ADET
		2	AEU2507	2920-99-731-5524	Kapak	Cover	1	ADET
		3	AEU3076	2920-99-721-3715	Regülatör	Regulator	1	ADET



4	BAU1825	2920-99-767-5555	Doğrultucu	Rectifier	1	ADET
5	BAU2193	2920-99-767-1826	Yatak	Slip Ring	1	ADET
6	BAU2195	2920-99-731-5527	Kömür Kutusu	Brush Box	1	ADET
7	RTC3215	2920-99-767-1827	Kömür Takımı	Brush Set	1	ADET
8	568788	3020-99-825-8977	Kasnak	Pulley	1	ADET
9	18G8619L	2920-99-839-0488	Rulman Seti-Tahrik Ucu	Kit-Bearing-Drive End	1	ADET
10	AEU1532	2920-99-767-1825	Yatak Ucu ve Rulman Seti	Kit-Slip Ring and Bearing	1	ADET
11	C37222L	6150-99-827-7298	Pervane	Fan	1	ADET
	AEU1706		Vida Seti	Kit-Screw	1	ADET
	AEU1710	2920-99-792-9321	Çeşitli Parçalar Seti	Kit-Sundry Parts	1	ADET
	AEU1942		Mesafe Burcu Seti	Kit-Spacer	1	ADET

NOT:Revizyonlu Alternatordur.

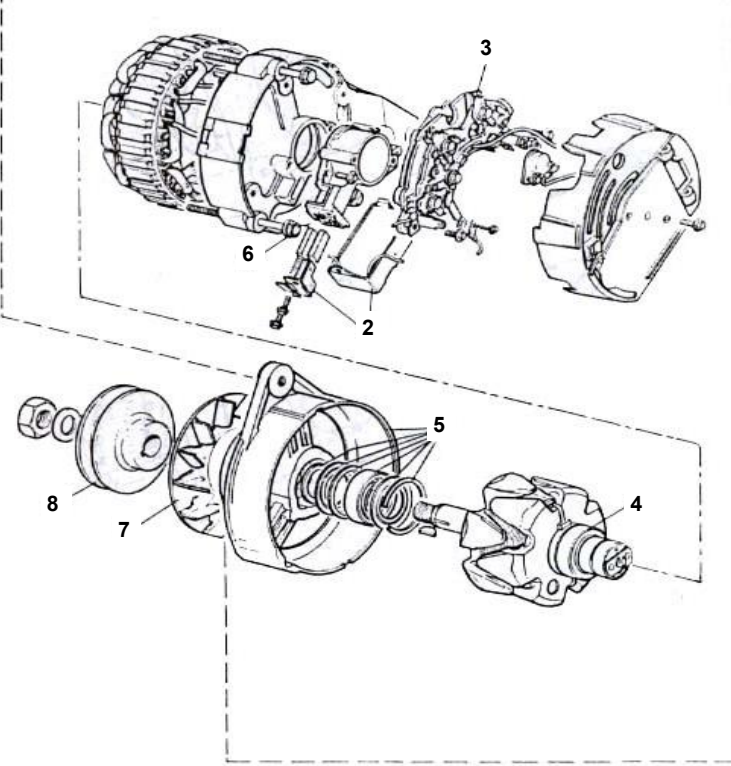
### LAND ROVER 110 YEDEK PARÇALARI

1-79

### MOTOR, VOLAN, DEBRİYAJ, ENGINE, FLYWHEEL, CLUTCH

### MOTOR-ALTERNATÖR-STANDART-2,5 DİZEL

RES. NO	PARÇA NO	NATO STOK NO	MALZEMENİN ADI	MALZEMENİN YABANCI ADI	KOMP. MİK.	DAG. BİRİMİ
1	RTC5682N	2920-99-789-4130	Alternatör A127/45	Alternator A127/45	1	ADET
2	RTC5670	2920-99-764-4600	Regülatör ve Kömür Kutusu Takımı	Regulator and Brush Box Assy	1	ADET
3	RTC5684	2920-99-789-4132	Doğrultucu	Rectifier	1	ADET
4	RTC5926	3110-99-789-4135	Rulman	Bearing-Slip Ring End	1	ADET
5	RTC5687	2920-99-789-4133	Braket ve Rulman-Tahrik Ucu	Braket and Bearing-Drive End	1	ADET



6	RTC5925		Saplamalar Takımı	Through Bolts-Kit	1	ADET
7	RTC5685	2920-99-789-4139	Pervane	Fan	1	ADET
8	RTC5686	3020-99-789-4140	Kasnak	Pulley	1	ADET
	RTC5689	5365-99-789-4141	Mesafe Burcu	Spacer-Pulley	1	ADET

NOT:Pervane ve Kasnak dahil değildir.

### LAND ROVER 110 YEDEK PARÇALARI

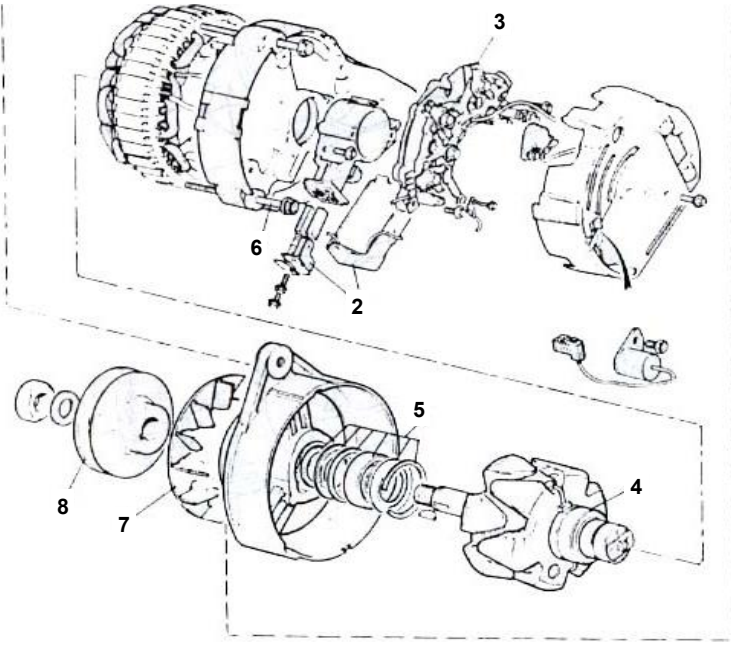
**MOTOR-ALTERNATÖR-YÜKSEK VERİM OPSİYONU-  
2,5 DİZEL  
ENGINE-ALTERNATOR-HIGH OUTPUT OPTION-2,5**

1-80

MOTOR, VOLAN, DEBRİYAJ, ENGINE, FLYWHEEL, CLUTCH

RES. NO	PARÇA NO	NATO STOK NO	MALZEMENİN ADI	MALZEMENİN YABANCI ADI	KOMP. MİK.	DAĞ. BİRİMİ
1	RTC5680N	2920-99-538-0407	Alternator A127/65 AMP	Alternator A127/65 AMP	1	ADET
2	RTC5670	2920-99-764-4600	Regulator ve Komur Kutusu Komple	Regulator and Brush Box Assy	1	ADET
3	RTC5671	2920-99-790-1397	Doğrultucu	Rectifier	1	ADET
4	RTC5926	3110-99-789-4135	Rulman-Yatak Ucu	Bearing-Slip Ring End	1	ADET
5	RTC5687	2920-99-789-4133	Braket ve Yatak-Tahrik Ucu	Bracket & Bearing-Drive End	1	ADET
6	RTC5925		Saplamalar takımı	Kit-Through Bolts	1	ADET
7	AAU2249		Pervane	Fan	1	ADET
8	RTC5689	5365-99-789-4141	Ara Parca-Kasnak	Spacer-Pulley	1	ADET





RTC5686	3020-99-789-4140	Kasnak	Pulley	1	ADET
---------	------------------	--------	--------	---	------

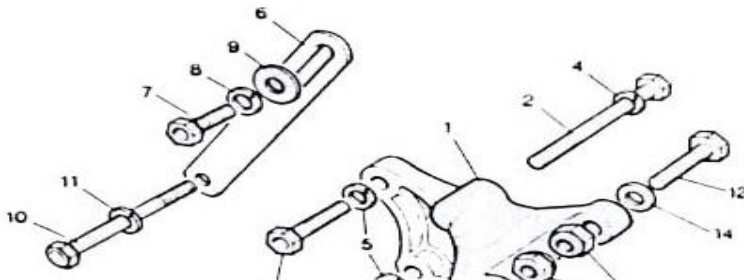
### LAND ROVER 110 YEDEK PARÇALARI

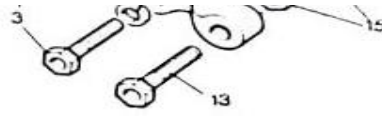
1-81

### MOTOR, VOLAN, DEBRİYAJ, ENGINE, FLYWHEEL, CLUTCH

#### ALTERNATÖR BAĞLANTISI ALTERNATOR MOUNTING

RES. NO	PARÇA NO	NATO STOK NO	MALZEMENİN ADI	MALZEMENİN YABANCI ADI	KOMP. Mik.	DAĞ. BİRİMİ
1	ETC4357	2920-99-725-3556	Bağlama Ayağı	Bracket-Mounting	1	ADET
2	11000-80026-AA	5305-99-122-5261	Ayak Saplaması-Bloğa	Bolt-Bracket to Block (BH108161)	1	ADET
3	11000-80038-AA	5306-27-006-2709	Ayak Saplaması-Bloğa	Bolt Bracket to Block (SH110301)	2	ADET
4	11000-80302-AA	5310-27-006-2928	Yaylı Rondela	Spring Washer-Brack.to Block (WL108001)	1	ADET
5	11000-80302-AA	5310-27-006-2928	Yaylı Rondela	Spring Washer-Brack.to Block (WL108001)	2	ADET
6	ERC5139	2815-99-735-4722	Gergi Demiri	Link-Adjusting	1	ADET
	ERC6266	2815-99-793-5713	Gergi Demiri	Adjusting Link	1	ADET
7	11000-80016-AA	5306-27-006-2703	Gergi Demiri Saplaması	Screw-Link to Alternator (SH108201)	1	ADET
8	11000-80302-AA	5310-27-006-2928	Yaylı Rondela	Spring Washer	1	ADET
9	2266L	5310-99-137-8804	Pul	Washer	1	ADET





10	ERC8964	5306-99-138-6230	Gergi Demiri Blok Saplaması	Bolt-Link to Block	1	ADET
11	11000-80302-AA	5310-27-006-2928	Yaylı Rondela	Spring Washer	1	ADET
12	12A00-80073-AA	5305-99-122-5254	Ayak Saplaması-Bloğa	Bolt-Bracket to Block (BH108081)	1	ADET
13	14C01-80135-AA	5305-99-122-5255	Ayak Saplaması-Bloğa	Bolt-Bracket to Block (BH108091)	1	ADET
14	71A00-80323-AA	5310-99-138-7965	Pul	Washer (WC108051)	1	ADET
15	14C01-80243-AA	5310-27-006-2761	Nyloc Somun	Nyloc Nut (NY108041)	2	ADET
16	ERC7974		Mesafe Parçası	Spacer	1	ADET

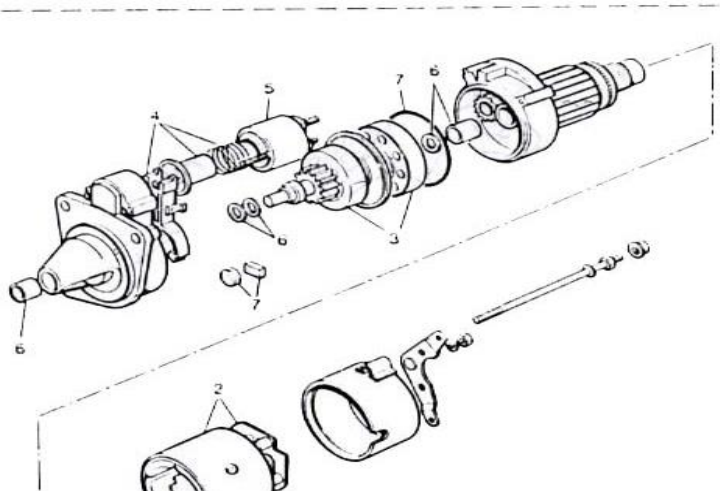
NOT1:Sadece A115 tipi Alternatörle kullanılır.  
NOT2:Sadece A127 tipi Alternatörle kullanılır.

## LAND ROVER 110 YEDEK PARÇALARI

1-82

## MOTOR, VOLAN, DEBRİYAJ, ENGINE, FLYWHEEL, CLUTCH

### MOTOR-MARŞ MOTORU-2,5 DİZEL

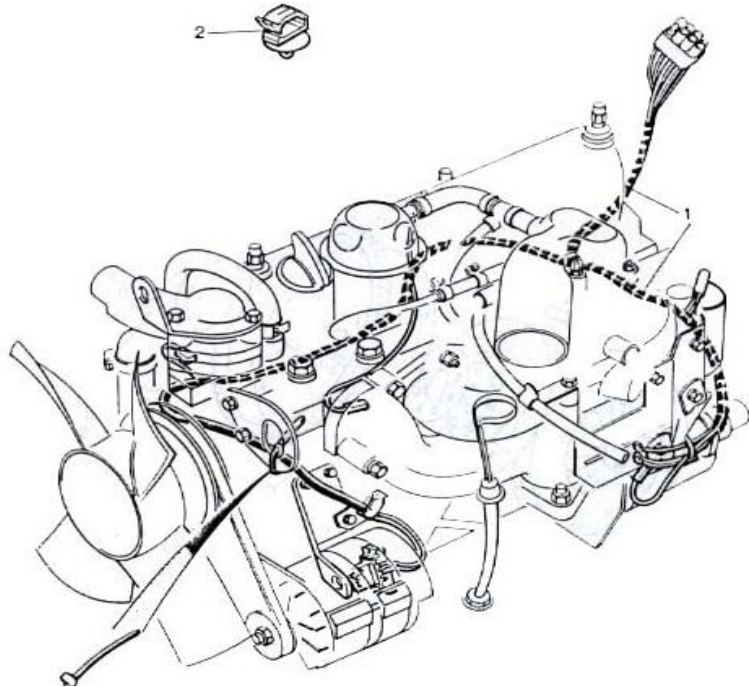


RES. NO	PARÇA NO	NATO STOK NO	MALZEMENİN ADI	MALZEMENİN YABANCI ADI	KOMP. MİK.	DAG. BİRİMİ
1	PRC5109	2920-99-724-8524	MARŞ MOTORU	STARTER MOTOR	1	ADET
2	RTC4981	2920-99-781-4165	Kömür Tutuculu Endüktör	Inductor With Brush Holder	1	ADET
3	RTC4982	2920-99-781-4167	Pinyon Tahrik Komitesi	Pinion Drive Assembly	1	ADET
4	RTC4979	2920-99-782-4444	İtici Çubuk Komitesi	Shift Lever Assembly	1	ADET
5	RTC4978	2920-99-781-4173	Selenoid	Solenoid	1	ADET
6	RTC4980	2920-99-781-4179	Tamir Kiti	Repair Kit	1	ADET
7	RTC4983	2920-99-781-4177	Conta Kiti	Gasket Kit	1	ADET
	PRC5538	6150-99-739-7161	Toprak Kablosu-Marş Motorundan Motora	Earth Cable-Starter to Engine	1	ADET
	11000-80038-AA	5306-27-006-2709	Vida-Marş Motorundan Volan Yuvasına	Screw-Starter to Flywheel Hsg.	1	ADET
	12B07-80207-AA	5310-27-006-2770	Somun-Marş Motorundan Volan Yuvasına	Nut-Starter to Flywheel Hsg.	2	ADET
	11000-80303-AA	5310-27-006-2929	Yaylı Rondela-Marşdan Volan Yuvasına	Spring Washer-Starter to Fly.Housing	3	ADET
	71A00-80043-AA	5306-27-006-2691	Civata-Marştan Volan Yuvasına	Bolt-Starter to Flywheel Hsg.	4	ADET



### LAND ROVER 110 YEDEK PARÇALARI

### MOTOR-KABLO DONANIMI-2,5 DİZEL



1-83

### MOTOR, VOLAN, DEBRİYAJ, ENGINE, FLYWHEEL, CLUTCH

RES. NO	PARÇA NO	NATO STOK NO	MALZEMENİN ADI	MALZEMENİN YABANCI ADI	KOMP. Mik.	DAĞ. BİRİMİ
1	PRC4785-LD	2590-99-729-2996	Motor Kablo Donanımı-45 Amp.	Engine Harness-45 Amp.	1	ADET
	PRC6080-LD		Motor Kablo Donanımı-45 Amp.	Engine Harness-45 Amp.	1	ADET
	PRC4021		Motor Kablo Donanımı-65 Amp.	Engine Harness-65 Amp.	1	ADET
2	568680	5340-99-195-5122	Kablo Kelepçesi	Cable Clip	1	ADET
	AFU1090L	5340-99-788-7393	Kablo Kelepçesi	Cable Clip	5	ADET
3	RTC3772	5340-99-835-5883	Kablo Kelepçesi	Cable Cleat	2	ADET
	ERC9404	5340-99-788-7729	Bağlantı Braketi	Mounting Bracket	4	ADET
	ERC9480	5340-99-788-7730	Bağlantı Braketi	Mounting Bracket	1	



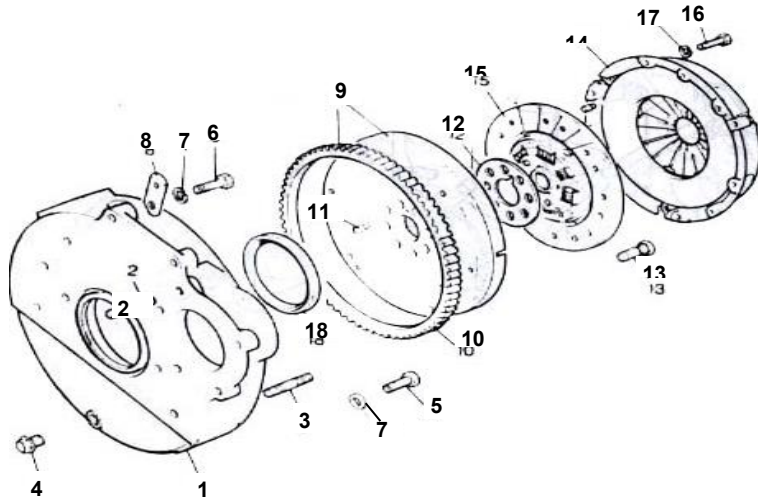
NOT1:Motor No 12J46500C'ye kadar.  
NOT2:Motor No 12J46501C'den itibaren.

## LAND ROVER 110 YEDEK PARÇALARI

1-84

## MOTOR, VOLAN, DEBRİYAJ, ENGINE, FLYWHEEL, CLUTCH

### MOTOR-VOLAN-2,5 DİZEL



RES. NO	PARÇA NO	NATO STOK NO	MALZEMENİN ADI	MALZEMENİN YABANCI ADI	KOMP. MİK.	DAG. BİRİMİ
1	ETC7336	2815-99-544-3250	Volan Yuvası Komple	Flywheel Housing Assembly	1	ADET
	ERR3920		Volan Yuvası Komple	Flywheel Housing Assembly	1	ADET
2	TE1100061L		Saplama-Volan Muhafazası	Stud-Bell Housing	11	ADET
3	ERC9240	5307-99-770-9651	Saplama-Marş Motoru	Stud-Starter Motor	1	ADET
4	ERC7295-L	5365-99-732-7008	Tapa	Plug	2	ADET
	12B07-80207-AA	5310-27-006-2770	Somun	Nut	11	ADET
5	11000-80038-AA	5306-27-006-2709	Vida-Yuvadan Bloğa	Screw-Housing to Block	6	ADET
6	71A00-80043-AA	5306-27-006-2691	Civata-Yuvadan Bloğa	Bolt-Housing to Block	2	ADET
7	71A00-80327-AA	5310-99-122-6476	Rondela-Yuvadan Bloğa	Washer-Housing to Block	8	ADET
8	ERC9404	5340-99-788-7729	Braket-Tesisat Kelepçesi	Bracket-Harness Clip	2	ADET
9	ETC5780	2815-99-760-2271	VOLAN KOMPLESİ	FLYWHEEL ASSEMBLY	1	ADET
10	568431	2815-99-810-9594	Volan Dişlisi	Starter Ring	1	ADET
11	502116	5315-99-849-9366	Pim	Dowel	3	ADET
12	ERC4658	2805-99-788-7637	Takviye Plakası	Reinforcing Plate	1	ADET
13	ERC6551	5306-99-763-3473	Civata-Volandan Kranka	Bolt-Flywheel to Crank	8	ADET
14	FTC575	2520-99-256-1118	Debriyaj Baskısı	Clutch Cover	1	ADET
15	FTC576	2520-99-339-4127	Baskı Plakası	Clutch Plate	1	ADET
	STC8358		Debriyaj Kiti	Clutch Kit	1	ADET
	FTC575	2520-99-256-1118	Kapak	Cover	1	ADET
	FTC2149	2520-99-327-7598	Disk	Plate	1	ADET
	FRC9568	3110-99-727-6035	Rulman	Bearing	1	ADET
16	SX108201L	5305-99-736-2710	Vida	Screw	6	ADET
17	11000-80302-AA	5310-27-006-2928	Yaylı Rondela	Spring Washer	6	ADET
18	ERR1535	5330-99-998-8908	Yay Keçesi	Oil Seal	1	ADET

NOT1: Ocak 1993'e kadar.  
NOT2: Ocak 1993'ten itibaren

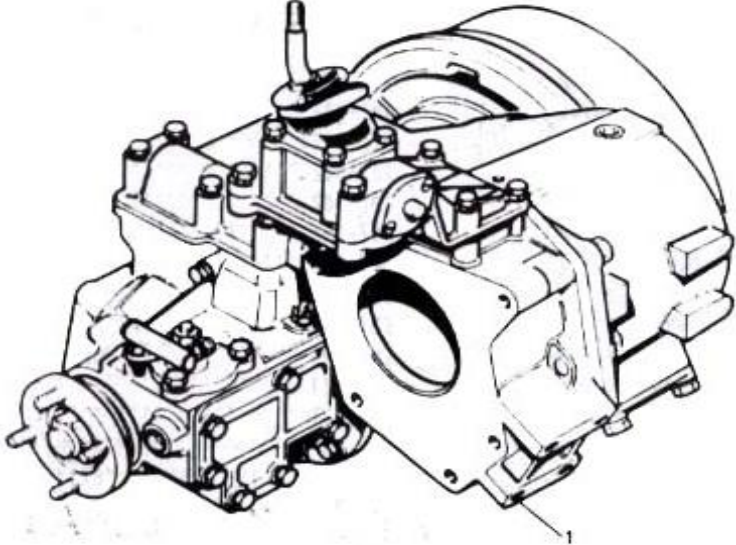
## LAND ROVER 110 YEDEK PARÇALARI

2-1

## ARA ŞANZIMAN-TRANSFER BOX

### ARA ŞANZIMAN-KOMPLE-LT230T

RES. NO	PARÇA NO	NATO STOK NO	MALZEMENİN ADI	MALZEMENİN YABANCI ADI	KOMP. MİK.	DAG. BİRİMİ
1	FRC9469N	2520-99-774-5724	Ara Şanzıman Komple-Yeni	Transfer Box Assembly-New	1	ADET
	STC1017		Ara Şanzıman Komple	Transfer Box Assembly	1	ADET



NOT:LT77S şanzumanla kullanılır.

LAND ROVER 110 YEDEK PARÇALARI

2-2

ARA ŞANZIMAN-TRANSFER BOX

ARA ŞANZIMAN-ŞANZIMAN KUTUSU-4 SİLİNDİR

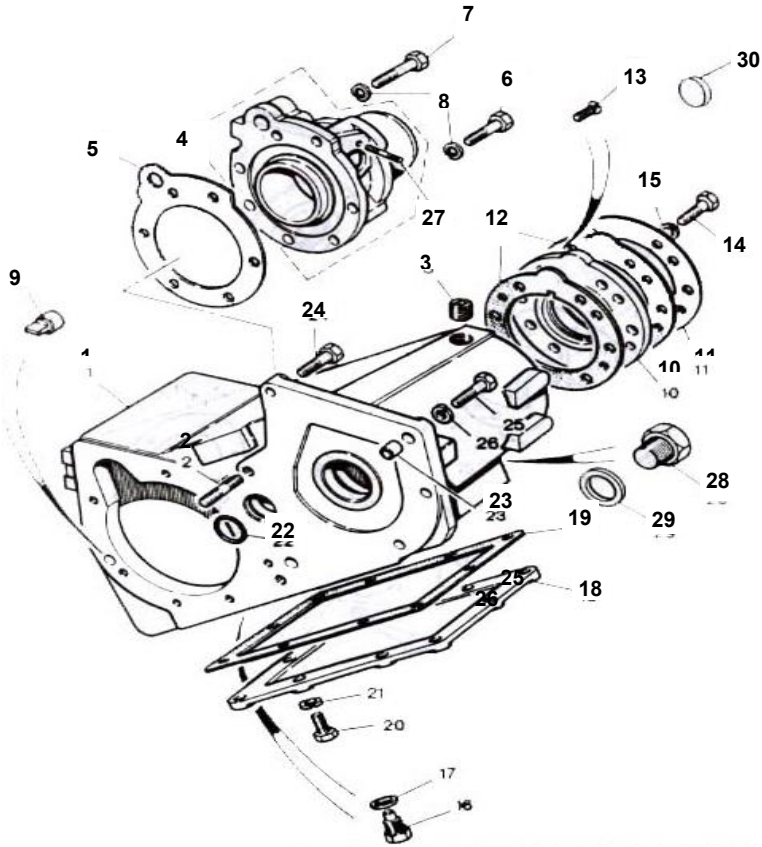
RES. NO	PARÇA NO	NATO STOK NO	MALZEMENİN ADI	MALZEMENİN YABANCI ADI	KOMP. Mik.	DAĞ. BİRİMİ
1	FRC8290	2520-99-199-4864	ARA ŞANZIMAN KUTUSU-KOMPLE	TRANSFER CASING-ASSEMBLY	1	ADET
	FTC1748	2520-99-199-4864	ARA ŞANZIMAN KUTUSU-KOMPLE	TRANSFER CASING-ASSEMBLY	1	ADET
2	FRC5595	5307-99-823-4137	Saplama	Stud	2	ADET
3	608246	4730-99-823-7480	Tapa-Yağ Süzgeci İçin	Plug-Oil Filter	2	ADET
4	FRC7447	2520-99-725-0344	Hız Gösterge Tahrik Kovanı	Speedo Housing Assembly	1	ADET
5	FRC5409	5330-99-792-0904	Hız Gösterge Kovan Contası	Joint Washer-Speedo Housing	1	ADET
6	11000-80038-AA	5306-27-006-2709	Kovan Saplaması	Screw-Housing to Transfer	5	ADET
7	71A00-80043-AA	5306-27-006-2691	Kovan Saplaması	Screw-Housing to Transfer	1	ADET
8	71A00-80327-AA	5310-99-122-6476	Kovan Pulu	Washer-Housing to Transfer	6	ADET
9	FRC5594	5315-99-792-0834	Merkezleme Pimi-Kovan ile Kutu Arası	Dowel-Housing to Transfer	1	ADET
10	FRC6943	2530-99-788-8083	Giriş Mili Bilya Yatağı	Housing-Mainshaft Transfer Bearing	1	ADET
11	FTC2061	5340-99-168-9248	Güç Çıkış (P.T.O) Kapağı	Cover-Power Take Off	1	ADET
	FRC9926		Sim	Shim	1	ADET
	FRC9963		Sim	Shim	1	ADET
12	FRC5413	5330-99-792-0849	Conta	Joint Washer	2	ADET
13	14C01-80095-AA	5306-27-006-2721	Civata	Screw	2	ADET
14	BH110071	5306-99-122-2772	Civata	Screw	6	ADET
15	71A00-80327-AA	5310-99-122-6476	Pul		6	ADET
16	599552	5365-99-823-7203	Boşaltma Tapası	Drain Plug	1	ADET
17	FRC4808	5330-98-856-5506	Pul-Boşaltma Tapası	Washer-Drain Plug	1	ADET
18	FRC5415	2520-99-792-0837	Kutu Alt Kapağı	Cover-Bottom-Transfer Case	1	ADET
19	FRC5416	5330-99-792-0836	Conta-Alt Kapak	Joint Washer-Bottom Cover	1	ADET
20	11000-80020-AA	5305-99-122-5254	Civata	Bolt	10	ADET

NOT:Şasi No 435000 den sonra

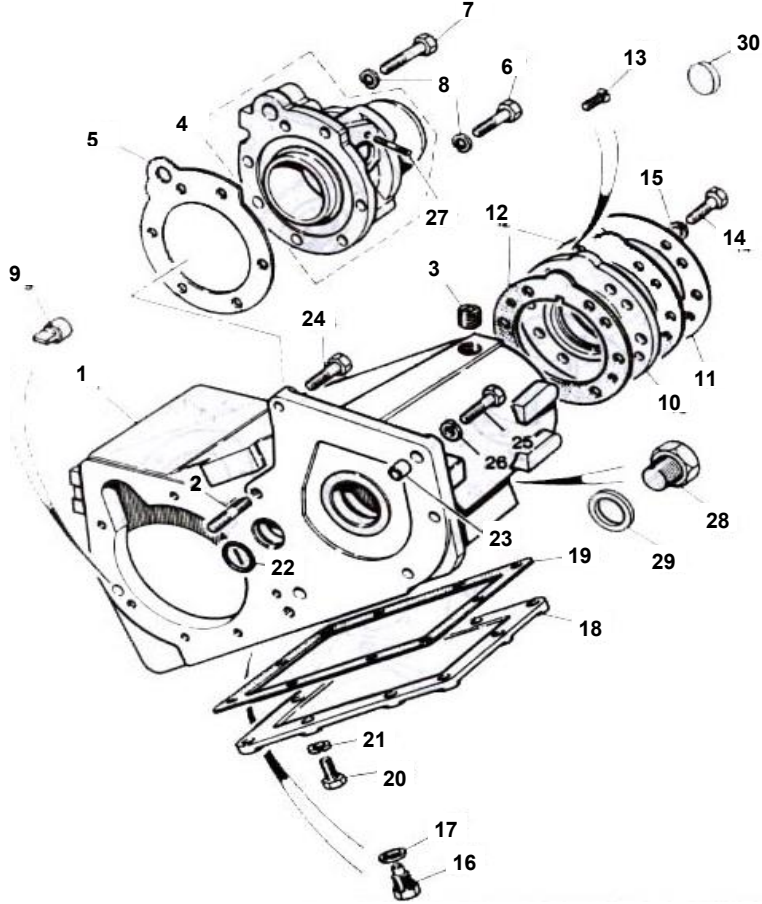
LAND ROVER 110 YEDEK PARÇALARI

2-3

ARA ŞANZIMAN-TRANSFER BOX



## ARA ŞANZIMAN-ÖN ÇIKIŞ KOVANI-4 SİLİNDİR



RES. NO	PARÇA NO	NATO STOK NO	MALZEMENİN ADI	MALZEMENİN YABANCI ADI	KOMP. MİK.	DAG. BİRİMİ
21	71A00-80324-AA	5310-99-122-6475	Pul	Washer	10	ADET
22	FRC8292	5330-99-537-6797	"O" Ring	"O" Ring	1	ADET
23	FRC2482	5315-99-792-0833	Delik Pim	Dowel-Hollow	1	ADET
24	11000-80084-AA	5306-27-006-2685	Cıvata	Bolt	3	ADET
25	71A00-80043-AA	5306-27-006-2691	Cıvata	Bolt	1	ADET
26	11000-80303-AA	5310-27-006-2929	Rondela	Washer	6	ADET
27	571536	5307-99-137-4409	Saplama - Kablo Tespit	Stud-Cable Retainer	1	ADET
28	SH214141	5306-99-535-6660	Cıvata	Screw	1	ADET
29	232042	5330-99-844-9826	Conta	Joint Washer	1	ADET
30	602146	5340-99-824-1352	Tapa- Güç Çıkış Kapağı	Plug-Cover PowerTake/Off	1	ADET

NOT:Şasi No 435000 den sonra

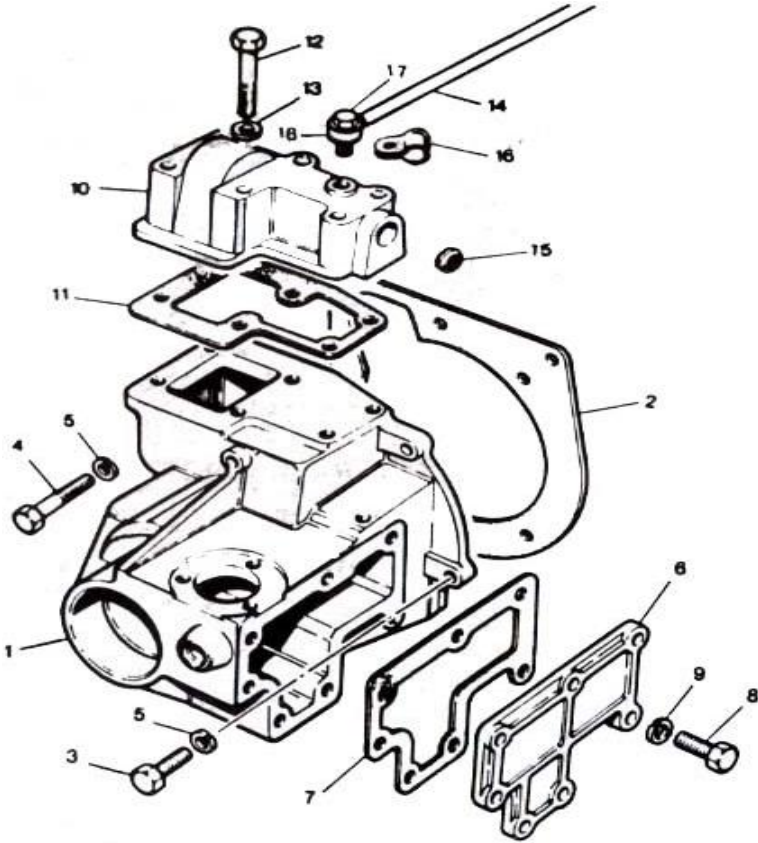
LAND ROVER 110 YEDEK PARÇALARI

2-4

ARA ŞANZIMAN-TRANSFER BOX

## ARA ŞANZIMAN-ÖN ÇIKIŞ KOVANI-4 SİLİNDİR

RES. NO	PARÇA NO	NATO STOK NO	MALZEMENİN ADI	MALZEMENİN YABANCI ADI	KOMP. MİK.	DAG. BİRİMİ
1	FRC8299	2520-99-792-0873	Ön Çıkış Kovanı	Housing-Front Output	1	ADET



2	FRC6103	5330-99-792-5586	Ön Çıkış Kovanı Contası	Joint Washer-Output Housing	1	ADET
3	11000-80020-AA	5305-99-122-5253	Civata	Bolt	7	ADET
4	11000-80095-AA	5306-27-006-2686	Civata	Bolt	1	ADET
5	11000-80324-AA	5310-99-122-6475	Pul	Washer	8	ADET
6	FRC6104	2510-99-788-7836	Ön Kovan Kapağı	Cover-Front Output Housing	1	ADET
7	FRC6105	5330-99-147-4894	Kapak Contası	Joint Washer	1	ADET
8	11000-80017-AA	5306-27-006-2704	Civata	Bolt (SH108251)	7	ADET
9	11000-80324-AA	5310-99-122-6475	Pul	Plain Washer	7	ADET
10	FRC6106	2520-99-792-0876	Ana Çubuk Alçak/Yüksek Kovanı	Housing-Cross Shaft-High/Low	1	ADET
11	FRC7998	5330-99-788-8089	Ana Çubuk Kovan Contası	Joint Washer-Housing	1	ADET
12	14A00-80003-AA	5305-99-122-5257	Civata	Bolt (BH108111)	6	ADET
13	11000-80324-AA	5310-99-122-6475	Pul	Washer (WA108051)	6	ADET
14	FRC9427	2520-99-957-6058	Havalandırma Borusu	Breather Pipe	1	ADET
15	FRC7930		Tapa	Plug Cup	1	ADET
16	BAU1689	5340-99-655-2993	Boru Klibi	Clip Pipe	1	ADET
17	595478	4730-99-137-6379	Bonjo Civata	Bolt Banjo	1	ADET
18	232039	5330-99-850-0226	Bakır Pul	Washer Copper	2	ADET

NOT:RTC3890 Conta Seti Parçasıdır.

### LAND ROVER 110 YEDEK PARÇALARI

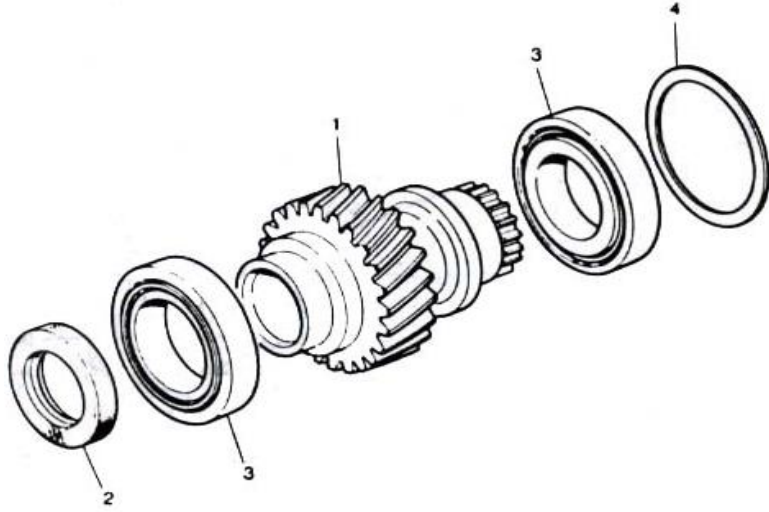
2-5

### ARA ŞANZIMAN-TRANSFER BOX

#### ARA ŞANZIMAN-GİRİŞ DİŞLİSİ-4 SİLİNDİR

RES. NO	PARÇA NO	NATO STOK NO	MALZEMENİN ADI	MALZEMENİN YABANCI ADI	KOMP. MİK.	DAĞ. BİRİMİ
1	FRC8917	3040-99-756-5904	Ara Şanzıman giriş dişlisi	Gear-Mainshaft Transfer	1	ADET
2	FRC2365	5330-99-792-0781	Yağ Keçesi	Oil Seal	1	ADET
3	FRC5564	3110-99-950-1494	Rulman	Bearing	2	ADET
4			RULMAN ON YUKLEME SİMLERİ	SELECTIVE SHIM-MAINSHAFT BEARIN	1	ADET





FRC9926		3.15 mm	3.15 mm	1	ADET
FRC9928	5365-99-790-1402	3.20 mm	3.20 mm	1	ADET
FRC9930	5365-99-790-1403	3.25 mm	3.25 mm	1	ADET
FRC9932	5365-99-790-1404	3.30 mm	3.30 mm	1	ADET
FRC9934	5365-99-790-1406	3.35 mm	3.35 mm	1	ADET
FRC9936	5365-99-790-1407	3.40 mm	3.40 mm	1	ADET
FRC9938	5365-99-790-1408	3.45 mm	3.45 mm	1	ADET
FRC9940	5365-99-790-1409	3.50 mm	3.50 mm	1	ADET
FRC9942	5365-99-790-1410	3.55 mm	3.55 mm	1	ADET
FRC9944	5365-99-790-1411	3.60 mm	3.60 mm	1	ADET
FRC9946	5365-99-790-1412	3.65 mm	3.65 mm	1	ADET
FRC9948	5365-99-790-1413	3.70 mm	3.70 mm	1	ADET
FRC9950	5365-99-790-1414	3.75 mm	3.75 mm	1	ADET
FRC9952	5365-99-790-1415	3.80 mm	3.80 mm	1	ADET
FRC9954	5365-99-790-1416	3.85 mm	3.85 mm	1	ADET
FRC9956	5365-99-790-1417	3.90 mm	3.90 mm	1	ADET
FRC9958	5365-99-790-1418	3.95 mm	3.95 mm	1	ADET
FRC9960	5365-99-790-1419	4.00 mm	4.00 mm	1	ADET
FRC9962		4.05 mm	4.05 mm	1	ADET

NOT:Gereken kalınlıktaki sim kullanılmalıdır.

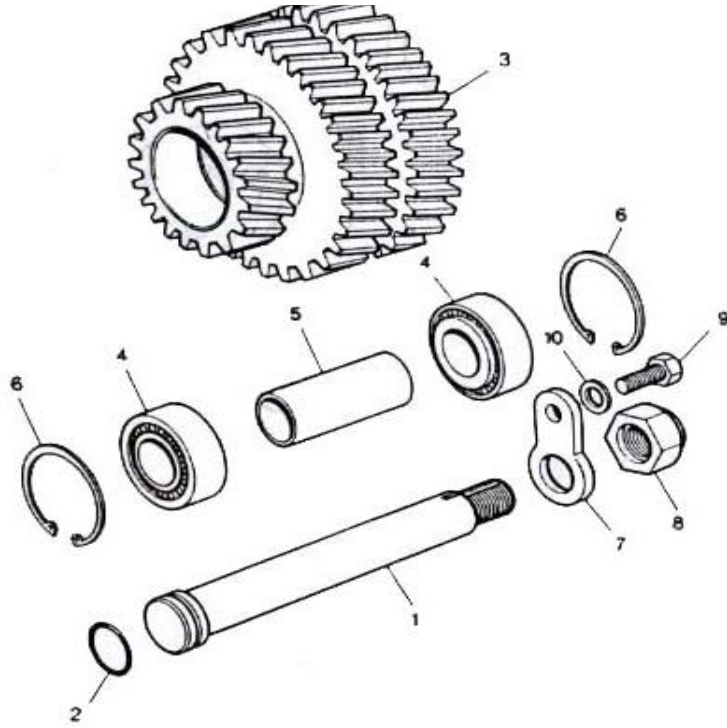
### LAND ROVER 110 YEDEK PARÇALARI

2-6

### ARA ŞANZİMAN-TRANSFER BOX

#### ARA ŞANZİMAN-ARA DİŞLİ MİLİ-4 SİLİNDİR TRANSFER BOX-INTERMEDIATE SHAFT-4

RES. NO	PARÇA NO	NATO STOK NO	MALZEMENİN ADI	MALZEMENİN YABANCI ADI	KOMP. MİK.	DAĞ. BİRİMİ
1	FRC8291	2520-99-739-2765	Ara Dişli Mili	Intermediate Shaft	1	ADET
2	FRC7439	5330-99-547-0869	Ara Dişli Mil "O"Ringi	"O" Ring Shaft	1	ADET
3	FRC9462	3020-99-756-5905	Ara Dişli Komple	Gear-Intermediate Cluster	1	ADET
	FRC9552		Ara Dişli Komple	Gear-Intermediate Cluster	1	ADET
	FRC8292	5330-99-537-6797	O Ring	O Ring	1	ADET
4	FRC7810		Rulman	Bearing	2	ADET
5	FRC7437	2520-99-724-5844	Ezilebilir Mesafe Burcu	Spacer-Collapsible	1	ADET



6	FRC7454	5365-99-739-2764	Segman	Circlip	2	ADET
7	FRC7452		Mil Tespit Kilidi	Plate-Anti Rotation-Int/Shaft.	1	ADET
8	FRC7453	5310-99-724-7224	Somun - Mil Tespit	Nut-Intermediate Shaft	1	ADET
9	11000-80016-AA	5306-27-006-2703	Cıvata	Screw	1	ADET
10	71A00-80324-AA	5310-99-122-6475	Pul	Washer	1	ADET

NOT:LT77S şanzumanla kullanılır.

### LAND ROVER 110 YEDEK PARÇALARI

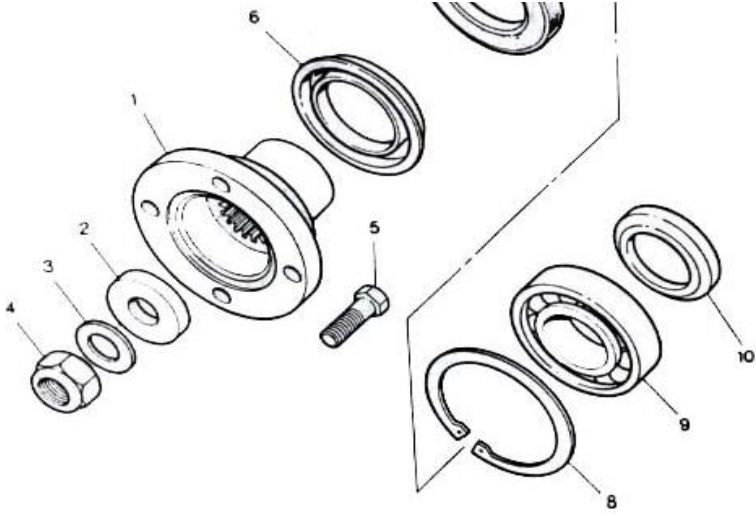
2-7

### ARA ŞANZIMAN-TRANSFER BOX

#### ARA ŞANZIMAN-ÖN FLANŞ-4 SİLİNDİR TRANSFER GEARBOX-FRONT FLANGE-4

RES. NO	PARÇA NO	NATO STOK NO	MALZEMENİN ADI	MALZEMENİN YABANCI ADI	KOMP. Mik.	DAĞ. BİRİMİ
1	FRC5442	2520-99-792-0901	Ön Şaft Flanşı	Flange-Front Output	1	ADET
2	FRC2464	5330-99-792-0902	Sıyırma Pulu	Sealing Washer	1	ADET
3	571468	5310-99-138-4883	Şaft Pulu	Washer-Shaft	1	ADET
4	71A00-80256-AA	5310-27-006-2764	Fiberli Somun	Nyloc Nut (NY120041)	1	ADET
5	BT606101L	5306-99-137-8106	Flanj Saplaması	Bolt-Flange	4	ADET
6	FRC6121	2520-99-788-7950	Çamur Kalkanı	Mudshield	1	ADET
7	FRC7043	5330-99-792-0900	Yağ Keçesi	Oil Seal	1	ADET
8	216962	5365-99-910-8333	Segman	Circlip	1	ADET
9	RTC3406	3110-99-802-7398	Rulman	Bearing	1	ADET
10	FRC5439	5310-99-788-7804	Mesafe Pulu	Spacer	1	ADET





**LAND ROVER 110 YEDEK PARÇALARI**

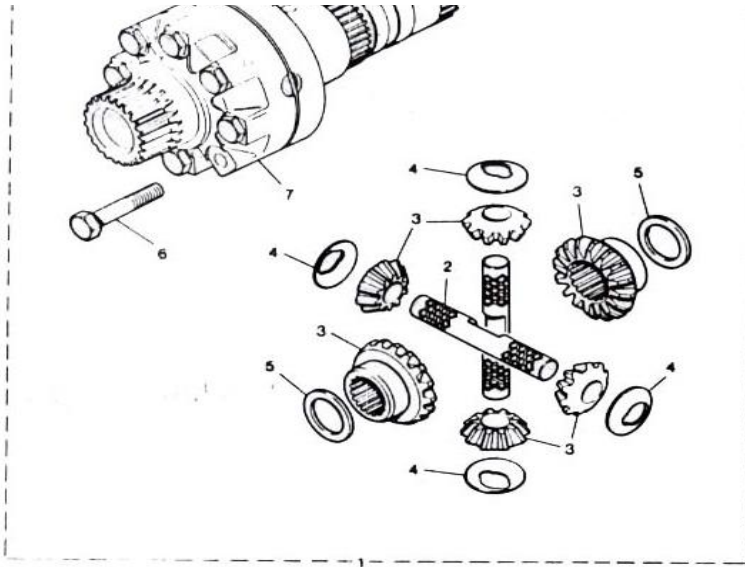
**2-8**

**ARA ŞANZIMAN-TRANSFER BOX**

**ARA ŞANZIMAN-MERKEZİ DİFERANSİYEL-4 SİLİNDİR  
TRANSFER GEARBOX-DIFFERENTIAL-4 CYLINDER**

RES. NO	PARÇA NO	NATO STOK NO	MALZEMENİN ADI	MALZEMENİN YABANCI ADI	KOMP. Mik.	DAG. Birimi
1	FRC7926	2520-99-739-2769	DİFERANSİYEL KOMPLE	DIFFERENTIAL ASSEMBLY	1	ADET
2	RTC3397	2520-99-774-2325	İstavroz Mili - Takım	Cross Shaft Kit	1	ADET
3	RTC4490	3020-99-724-5848	İstavroz Dişli Takımı	Differential Gears-Balanced Set	1	ADET
4	FRC6968	3120-99-792-0856	Baskı Pulu	Thrust Washer	4	ADET
5			Diferansiyel Ön Yükleme, Şimi	SELECTIVE THRUST WASHER DIFF. WHEEL		ADET
	FRC6956	3120-99-764-3088	1.05 mm	1.05 mm	1	ADET
	FRC6958	3120-99-764-3089	1.15 mm	1.15 mm	1	ADET
	FRC6960	3120-99-764-3090	1.25 mm	1.25 mm	1	ADET
	FRC6962	3120-99-764-3091	1.35 mm	1.35 mm	1	ADET
	FRC6964	3120-99-764-3092	1.45 mm	1.45 mm	1	ADET
6	14A00-80009-AA	5306-27-006-2687	Diferansiyel Kutu Saplaması	Bolt Diff Case (BH110121)	8	ADET





7	FRC7499	2520-99-739-2768	Tutucu Halka	Retaining Ring	1	ADET
---	---------	------------------	--------------	----------------	---	------

NOT:Gereken kalınlıkta sim kullanılmalıdır.

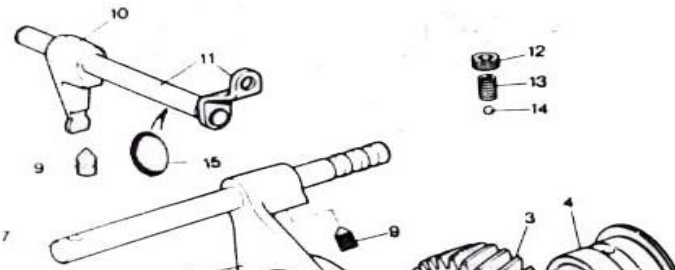
### LAND ROVER 110 YEDEK PARÇALARI

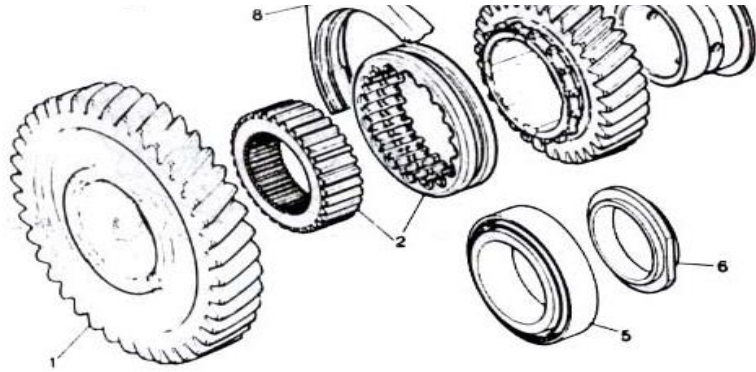
### ARA ŞANZIMAN-NORMAL/TAKVİYELİ VİTES-4 SİLİNDİR TRANSFER GEARBOX-HIGH/LOW-4 CYLINDER

### 2-9

### ARA ŞANZIMAN-TRANSFER BOX

RES. NO	PARÇA NO	NATO STOK NO	MALZEMENİN ADI	MALZEMENİN YABANCI ADI	KOMP. MİK.	DAĞ. BİRİMİ
1	FRC7434	3020-99-739-2772	Dişli Takviyeli Çıkış	Gear-Low Output	1	ADET
	FTC1084		Dişli-Takviyeli Çıkış	Gear-Low Output	1	ADET
2	RTC4373	3020-99-724-8519	Porya ve Göbek Kmp.Normal/Takviyeli	Hub and Sleeve Assy.	1	ADET
3	FRC7427	3020-99-724-8520	Dişli-Normal Çıkış	Gear-High Output	1	ADET
	FTC1085		Dişli-Normal Çıkış	Gear-High Output	1	ADET
4	FRC7441	3120-99-739-2774	Burç	Bush	1	ADET
5	606474	3110-99-822-1456	Rulman	Bearing	1	ADET
6	FRC7970	5310-99-724-7225	Somun-Rulman-Tutucu	Nut-Bearing-Retainer	1	ADET
7	FRC9513	2520-99-774-4387	Şaft-Seçici-Normal/Takviyeli	Shaft-Selector-High/Low	1	ADET
8	FRC5458	2520-99-792-0864	Çatal-Seçici Normal/Takviyeli	Fork-Selector High/Low	1	ADET
9	FRC7018	5305-99-792-0794	Civata-Seçici Çatal	Screw-Selector Fork	1	ADET
10	FRC7929	2520-99-739-2778	Seçici Çubuk	Selector Finger	1	ADET
11	FRC8900	2520-99-724-8521	Çalıştırıcı Kol-Normal/Takviyeli	Operating Arm-High/Low	1	ADET
12	FRC9549	5365-99-774-4389	Tutucu-Tapa	Plug-Detent	1	ADET





13	FRC9546	5360-99-774-4388	Tutucu-Yay	Spring-Detent	1	ADET
14	571146	3110-99-718-1217	Tutucu-Bilya	Ball-Detent	1	ADET
15	FRC5575	5330-99-792-0870	O Ring	O Ring	2	ADET

NOT:LT77S şanzımanla kullanılır.

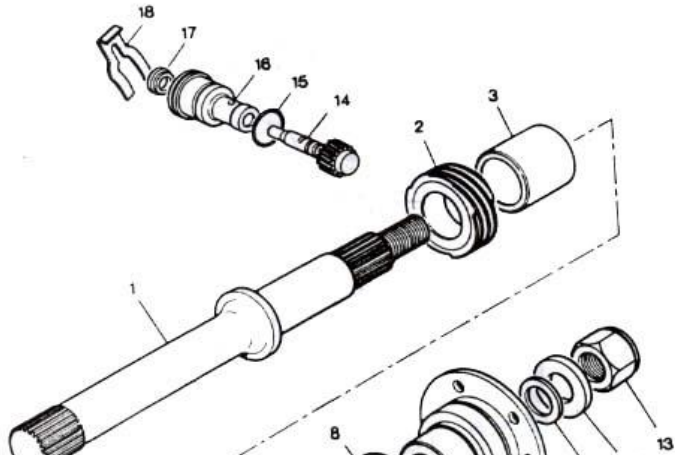
### LAND ROVER 110 YEDEK PARÇALARI

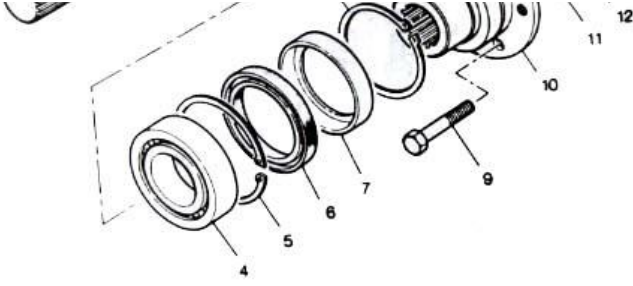
### 2-10

### ARA ŞANZİMAN-TRANSFER BOX

### ARA ŞANZİMAN-ARKA SAFT FLANŞI-4 SİLİNDİR TRANSFER GEARBOX-REAR FLANGE-4 CYLINDER

RES. NO	PARÇA NO	NATO STOK NO	MALZEMENİN ADI	MALZEMENİN YABANCI ADI	KOMP. MİK.	DAĞ. BİRİMİ
1	FRC5450	2520-99-792-0905	Arka Çıkış Mili	Shaft-Rear Output	1	ADET
2	FRC3162	3020-99-792-0906	Hız Gösterge Sonsuz Dişlisi	Speedo Worm	1	ADET
3	FRC5446	5365-99-792-5591	Sonsuz Dişli Mesafe Burcu	Spacer-Speedo Worm	1	ADET
4	RTC3406	3110-99-802-7398	Rulman	Bearing	1	ADET
5	216962	5365-99-910-8333	Segman	Circlip	1	ADET
6	FRC7043	5330-99-792-0900	Yağ Keçesi	Oil Seal	1	ADET
7	571970	5330-99-823-8013	Yağ Kalkanı	Oil Shield	1	ADET
8	571682	5365-99-910-8251	Segman	Circlip	1	ADET
9	FRC3602	5306-99-941-6598	Civata	Bolt	1	ADET
10	FRC5438	2520-99-792-0907	Arka Çıkış Flanşı	Flange-Rear Output	1	ADET
11	FRC2464	5330-99-792-0902	Sıyırma Pulu	Sealing Washer	1	ADET
12	571468	5310-99-138-4883	Pul	Washer	1	ADET
13	71A00-80256-AA	5310-27-006-2764	Fiberli Somun	Nyloc Nut (NY120041)	1	ADET
14	FRC3310	3040-99-792-0909	Hız Göstergesi Tahrik Dişlisi	Speedo Drive Gear And Spindle	1	ADET
	FRC3313		Hız Göstergesi Tahrik Dişlisi	Speedo Drive Gear And Spindle	1	ADET
15	571665	5330-99-810-5080	O'Ring	O'Ring	1	ADET
16	FRC3286	2520-99-792-5592	Tahrik Mili Yuvası	Housing Speedo Spindle	1	ADET
17	AAU2304	5330-99-100-7923	Yağ Keçesi	Oil Seal	1	ADET





18	533765	5330-99-823-8016	Hız Gösterge Spiral Kilidi	Plate-Retaining Speedo Cable	1	ADET
----	--------	------------------	----------------------------	------------------------------	---	------

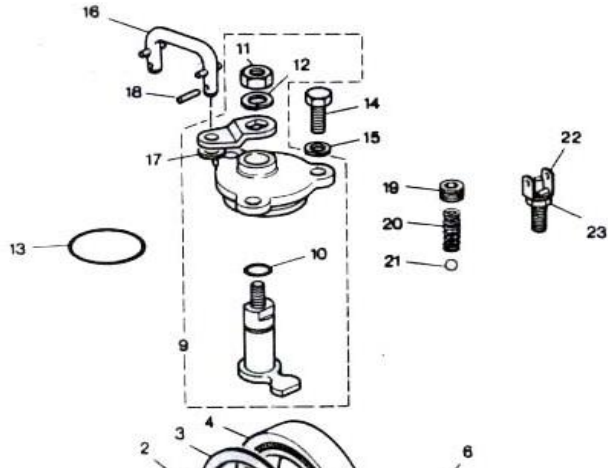
NOT:LT77S şanzımanla kullanılır.

### LAND ROVER 110 YEDEK PARÇALARI

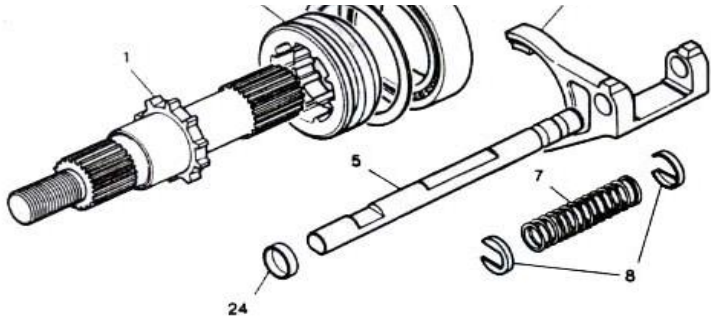
### 2-11

### ARA ŞANZİMAN-TRANSFER BOX

### ARA ŞANZİMAN-ÖN ÇIKIŞ MİLİ-4 SİLİNDİR TRANSFER GEARBOX-FRONT QUTPUT SHAFT-4 CYLINDER



RES. NO	PARÇA NO	NATO STOK NO	MALZEMENİN ADI	MALZEMENİN YABANCI ADI	KOMP. Mik.	DAĞ. BİRİMİ
1	FRC5449	2520-99-792-0878	Ön Çıkış Mili	Shaft-Front Output	1	ADET
2	FRC5440	2520-99-792-0879	Ön Çıkış Kilit Kurt Dişi	Dog Clutch-Front Drive Lock Up	1	ADET
	FRC5575	5330-99-792-0870	Kurt Dişi 'O'Ringi	'O'Ring-Dog Clutch	1	ADET
3			ÖN ÇIKIŞ BİLYASI ÖN YÜKLEME AYA	SELEC. SHIM-FRONT OUTPUT TAPER		ADET
	FTC726		2.00 mm	2.00 mm	1	ADET
	FTC728	5365-99-075-1807	2.05 mm	2.05 mm	1	ADET
	FTC730		2.10 mm	2.10 mm	1	ADET
	FTC732	5365-99-587-9040	2.15 mm	2.15 mm	1	ADET
	FTC734		2.20 mm	2.20 mm	1	ADET
	FTC736		2.25 mm	2.25 mm	1	ADET
	FTC738		2.30 mm	2.30 mm	1	ADET
	FTC740	5365-99-110-0453	2.35 mm	2.35 mm	1	ADET
	FTC742		2.40 mm	2.40 mm	1	ADET
	FTC744		2.45 mm	2.45 mm	1	ADET
	FTC746		2.50 mm	2.50 mm	1	ADET
	FTC748	5365-99-792-5588	2.55 mm	2.55 mm	1	ADET
	FTC750		2.60 mm	2.60 mm	1	ADET
	FTC752	5365-99-152-4200	2.65 mm	2.65 mm	1	ADET
	FTC754		2.70 mm	2.70 mm	1	ADET
	FTC756	5365-99-463-5294	2.75 mm	2.75 mm	1	ADET
	FTC758		2.80 mm	2.80 mm	1	ADET
	FTC760		2.85 mm	2.85 mm	1	ADET
	FTC762		2.90 mm	2.90 mm	1	ADET



FTC764	5365-99-792-0887	2.95 mm	2.95 mm	1	ADET
FTC766		3.00 mm	3.00 mm	1	ADET
FTC768		3.05 mm	3.05 mm	1	ADET
FTC770		3.10 mm	3.10 mm	1	ADET
FTC772	5365-99-920-1017	3.15 mm	3.15 mm	1	ADET
FTC774		3.20 mm	3.20 mm	1	ADET
FTC776	5365-99-702-2787	3.25 mm	3.25 mm	1	ADET

NOT:Gereken kalınlıkta sim kullanılmalıdır.

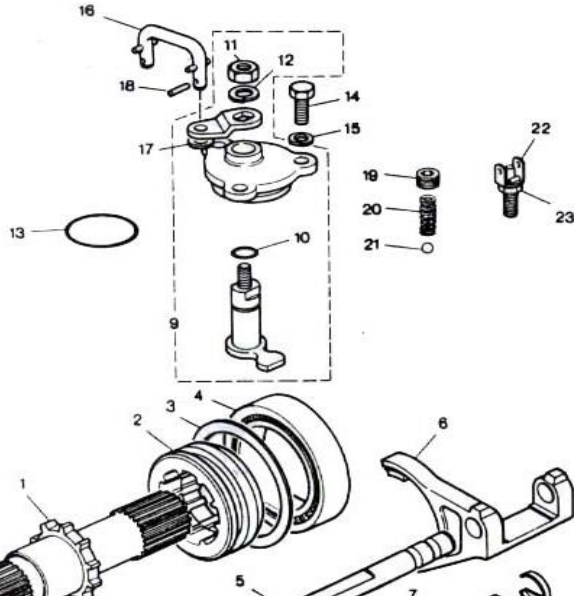
## LAND ROVER 110 YEDEK PARÇALARI

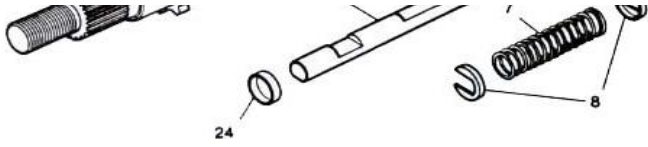
2-12

## ARA ŞANZIMAN-TRANSFER BOX

### ARA ŞANZIMAN-ÖN ÇIKIŞ MİLİ-4 SİLİNDİR TRANSFER GEARBOX-FRONT QUTPUT SHAFT-4

RES. NO	PARÇA NO	NATO STOK NO	MALZEMENİN ADI	MALZEMENİN YABANCI ADI	KOMP. Mik.	DAG. Birimi
4	FRC7871	3110-99-723-6390	Konik Rulman	Bearing-Taper	1	ADET
5	FRC6030	2520-99-792-0891	Diferansiyel Kilit Çubuğu	Selector Shaft-Diff Lock	1	ADET
6	FRC6109	2520-99-792-5589	Kilit Çatalı	Selector Fork-Diff Lock	1	ADET
7	FRC5468	5360-99-792-0892	Kilit Yayı	Spring-Diff Lock	1	ADET
8	FRC5469	2520-99-792-0893	Yay Tespit Sacı	Clip-Spring	2	ADET
9	FRC8041	2520-99-739-2783	ÇATAL KUMANDA DİLİ-KOMPLE	HOUSING ASSY-SELECTOR FINGER	1	ADET
10	FRC5576	5330-99-792-0896	O Ring	O Ring	1	ADET
11	14C01-80243-AA	5310-27-006-2761	Somun	Nut	1	ADET
12	71A00-80324-AA	5310-99-122-6475	Düz Pul	Plain Washer	1	ADET
13	FRC5473	5330-99-781-9385	O Ring	O Ring	1	ADET
14	11000-80017-AA	5306-27-006-2704	Civata	Bolt	3	ADET
15	11000-80324-AA	5310-27-006-2935	Pul	Washer	3	ADET
16	FRC8544	2520-99-781-9337	İrtibat Çubuğu	Connecting Link Assembly	1	ADET
17	11000-80351-AA	5310-27-006-2934	Düz Pul	Plain Washer	2	ADET
18	PS103121L		Pim	Split Pin	2	ADET
19	SU112101L	5305-99-792-0898	Kilit Tapası	Plug-Detent	1	ADET
20	FRC5562	5360-99-792-0899	Kilit Yayı	Spring-Detent	1	ADET
21	571146	3110-99-718-1217	Kilit Bilyası	Ball-Detent	1	ADET
22	71A00-36314-AA		Diferansiyel Kilit Anahtarı	Switch-Diff lock	1	ADET
23	71A00-36316-AA		Anahtar Kontra Somunu	Lock Nut-Switch	1	ADET
24	FRC6110	5340-99-792-0894	Vites Çubuğu İstinadi	Plug-Selector Shaft	1	ADET





NOT:Gereken kalınlıkta sim kullanılmalıdır.

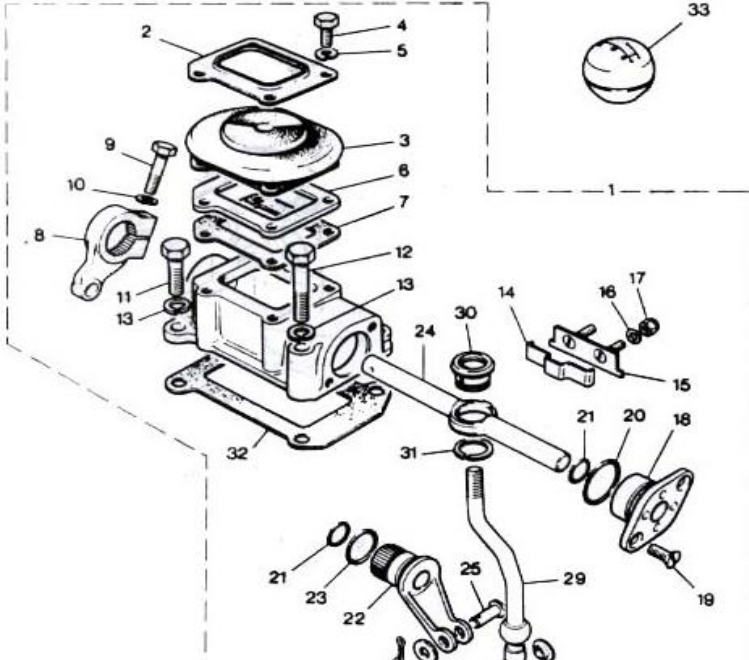
## LAND ROVER 110 YEDEK PARÇALARI

2-13

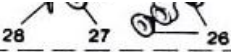
## ARA ŞANZİMAN-TRANSFER BOX

### ARA ŞANZİMAN-VİTES KULESİ-4 SİLİNDİR TRANSFER GEARBOX-GEAR CHANGE-4 CYLINDER

RES. NO	PARÇA NO	NATO STOK NO	MALZEMENİN ADI	MALZEMENİN YABANCI ADI	KOMP. MİK.	DAĞ. BİRİMİ
1	FRC9555	2520-99-774-4390	KULE KOMPLE	TRANSFER GEAR CASE ASSEMBLY	1	ADET
2	FRC6873	5340-99-792-9849	Kapak Sacı	Plate	1	ADET
3	FRC6872	2520-99-792-0924	Toz Lastiği	Grommet	1	ADET
4	11000-80008-AA	5306-27-006-2700	Civata	Bolt (SH106201)	4	ADET
5	11000-80351-AA	5310-27-006-2934	Düz Pul	Plain Washer	4	ADET
6	FRC8561	2520-99-774-4395	Ara Sac	Gate Plate	1	ADET
7	FRC5486	5330-99-792-0923	Conta	Gasket	1	ADET
8	FRC5478	2520-99-792-0927	Kumanda Frezesi	Operating Arm	1	ADET
9	71A10-80058-AA	5305-99-122-5244	Civata	Bolt (BH106051)	1	ADET
10	11000-80351-AA	5310-27-006-2934	Düz Pul	Plain Washer	1	ADET
11	11000-80017-AA	5306-27-006-2704	Civata	Bolt (SH108251)	2	ADET
12	14A00-80003-AA	5305-99-122-5257	Civata	Bolt (BH108111)	2	ADET
13	11000-80302-AA	5310-27-006-2928	Yaylı Rondela	Spring Washer	4	ADET
14	RTC1956	2520-99-849-8733	Kilit Yayı Plakası	Detent Spring	1	ADET
15	FRC6125	2520-99-792-5593	Yay Dayaması	Retainer-Spring	1	ADET
16	71A00-80315-AA	5310-99-122-3032	Düz Pul	Plain Washer	2	ADET
17	71A10-80208-AA	5310-99-122-5494	Fiberli Somun	Nyloc Nut (NY105041)	2	ADET
18	FRC5574	2520-99-792-0915	Yataklı Kapak	End Cover	1	ADET
19	11000-80071-AA	5306-27-006-2719	Civata	Screw (SF106201)	2	ADET
20	FRC8292	5330-99-537-6797	O'Ring	O'Ring	1	ADET
21	FRC4509	5330-99-826-9889	O'Ring	O'Ring	2	ADET
22	FRC5480	2520-99-792-0911	Tahrik Kolu	Crank Arm	1	ADET
23	FRC5479	5330-99-792-0912	O'Ring	O'Ring	1	ADET
24	FRC8203	2520-99-774-4391	Ana Çubuk	Cross-Shaft	1	ADET







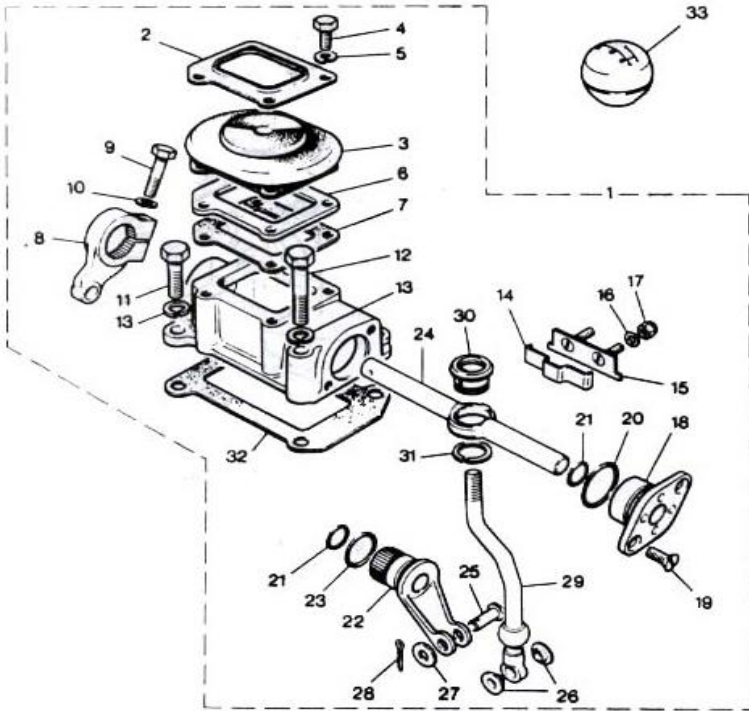
LAND ROVER 110 YEDEK PARÇALARI

2-14

ARA ŞANZİMAN-TRANSFER BOX

ARA ŞANZİMAN-VİTES KULESİ-4 SİLİNDİR  
TRANSFER GEARBOX-GEAR CHANGE-4 CYLINDER

RES. NO	PARÇA NO	NATO STOK NO	MALZEMENİN ADI	MALZEMENİN YABANCI ADI	KOMP. MİK.	DAG. BİRİMİ
25	FRC8766	5315-99-774-4393	Başlıklı Pim	Clevis Pin	1	ADET
26	FRC4499	5365-99-792-0920	Burç	Bush	2	ADET
27	11000-80324-AA	5310-99-122-6475	Düz Pul	Plain Washer	1	ADET
28	FRC8548	5340-99-209-9070	Kopilya	Split Pin(PS104127)	1	ADET
29	FRC7487	2520-99-774-4392	Manivela	Lever	1	ADET
30	FRC5076	5365-99-792-0918	Vites Kol Çanağı	Seat-Gear Lever	1	ADET
31	CR120215	5325-99-873-8016	Segman	Circlip	1	ADET
32	FRC6306	5330-99-792-0922	Conta	Gasket	1	ADET
	FRC7930		Tapa	Plug-Housing	1	ADET
33	FRC6595	5355-99-721-4425	Topuz	Knob	1	ADET



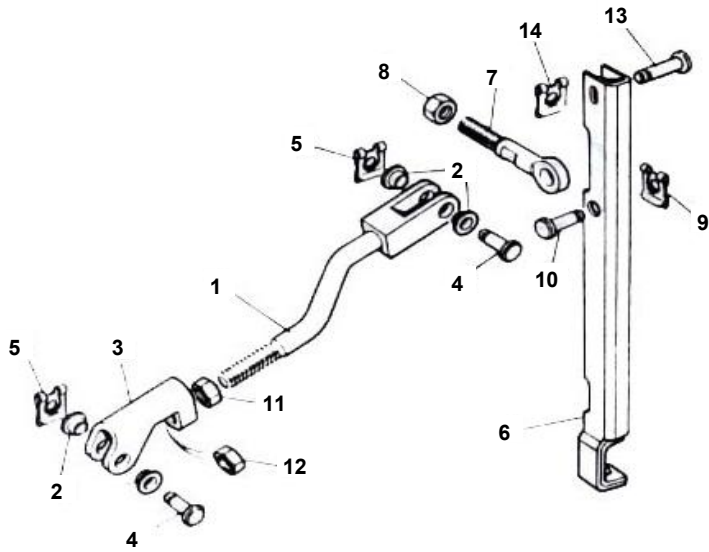
LAND ROVER 110 YEDEK PARÇALARI

2-15

ARA ŞANZIMAN-TRANSFER BOX

ARA ŞANZIMAN-VİTES DEĞİŞTİRİCİ-4 SİLİNDİR  
TRANSFER GEARBOX-GEAR CHANGE-4 CYLINDER

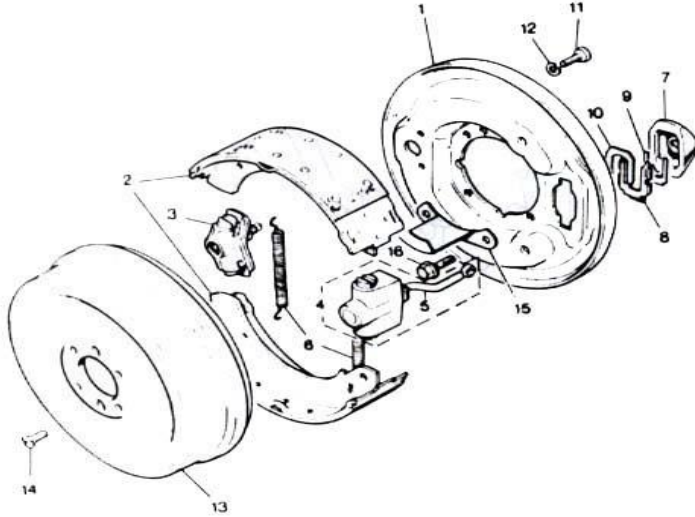
RES. NO	PARÇA NO	NATO STOK NO	MALZEMENİN ADI	MALZEMENİN YABANCI ADI	KOMP. Mik.	DAG. BİRİMİ
1	FRC6000	2520-99-792-5594	Bağlantı Kolu Komitesi	Connecting Rod Assembly	1	ADET
2	FRC4499	5365-99-792-0920	Burç	Bush	4	ADET
3	FRC8075	2520-99-739-2787	Klevis	Clevis	1	ADET
4	FRC8767	5315-99-781-9338	Klevis Pim	Clevis Pin	2	ADET
5	FRC8548	5340-99-209-9070	Emniyet Kelepçesi	Safety Clip-Clevis	2	ADET
6	FRC8204	2520-99-781-9339	Diferansiyel Kilit Kolu	Diff.Lock Arm	1	ADET
7	FRC8202	5315-99-781-9340	Piyot Pim	Pivot Pin	1	ADET
8	71A00-80203-AA	5310-27-006-2774	Somun	Nut (NH108041)	1	ADET
9	FRC8548	5340-99-209-9070	Emniyet Kelepçesi	Safety Clip	2	ADET
10	FRC8547	5315-99-781-9341	Klevis Pim	Clevis Pin	1	ADET
11	14C01-80243-AA	5310-27-006-2761	Somun	Nut (NY108041)	1	ADET
12	NT108041L	5310-99-139-0313	Somun	Nut	1	ADET
13	FRC8768	5315-99-781-9342	Klevis Pim	Clevis Pin	1	ADET
14	FRC8769	5340-99-781-9343	Emniyet Kelepçesi	Safety Clip	1	ADET



## LAND ROVER 110 YEDEK PARÇALARI

2-16

## ARA ŞANZIMAN-TRANSFER BOX

EL FREİNİ-4 SİLİNDİR  
TRANSMISSION BRAKE-4 CYLINDER

RES. NO	PARÇA NO	NATO STOK NO	MALZEMENİN ADI	MALZEMENİN YABANCI ADI	KOMP. MİK.	DAĞ. BİRİMİ
1	AEU2733	2530-99-798-0205	Tabla	Back Plate	1	ADET
2	RTC3403	2530-99-663-7808	Fren Pabuc Takımı	Brake Shoe Set	1	ADET
3	37H4558L	2530-99-836-4722	Ayar Kütüğü	Adjuster Assembly	1	ADET
	8G7019L	2530-99-798-0211	Ayar Kütüğü Tamir Takımı	Service Kit Adjuster	1	ADET
4	AEU2734	2530-99-798-0208	Açma Takozu	Expander Assembly	1	ADET
	AEU2735	2530-99-798-0209	Açma Takozu Tamir Takımı	Service Kit Expander	1	ADET
5	AEU2736	2530-99-798-0210	Kumanda Çubuğu	Drawlink	1	ADET
6	FRC8549	5360-99-700-7000	Pabuç Yayı	Spring Shoe Return Set	2	ADET
7	515466	2530-99-836-5020	Toz Lastiği	Dust Cover	1	ADET
8	515467	2530-99-833-8933	Kilit Sacı	Plate Locking	1	ADET
9	515470	2530-99-833-8934	Sac	Plate Packing	1	ADET
10	515468	2530-99-833-8935	Yaylı sac	Plate Spring	1	ADET
11	AEU2737	5306-99-730-3103	Civata	Bolt	2	ADET
12	AEU2738	5310-99-730-3104	Pul	Washer	2	ADET
13	FRC3502	2530-99-798-0216	Kampana	Brake Drum	1	ADET
14	SA108201L	5305-99-135-0269	Kampana Tespit Civatası	Screw Fixing Drum	2	ADET
15	FRC8093	2530-99-729-6635	Yağ Kapanı	Oil Catcher	1	ADET
16	AFU1400	5306-99-730-3102	Tablo Saplaması	Bolt Transmission Brake	4	ADET

NOT:Şasi no 8FF387976'ya kadar

## LAND ROVER 110 YEDEK PARÇALARI

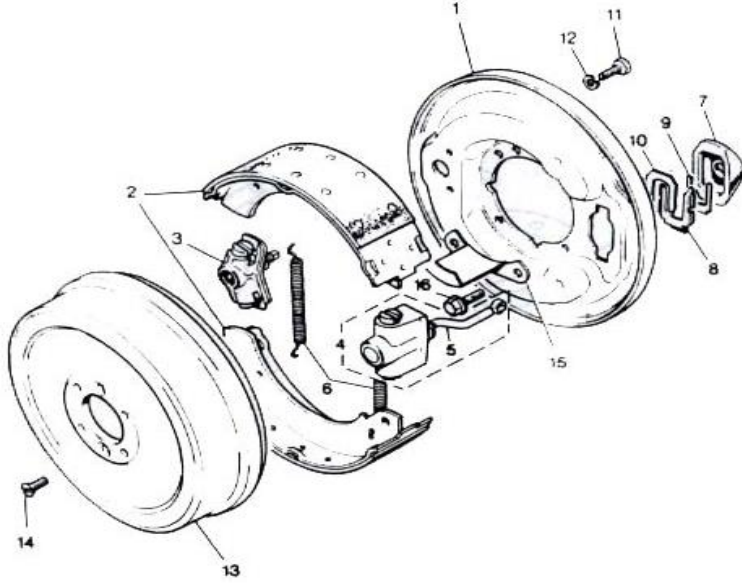
2-17

## ARA ŞANZIMAN-TRANSFER BOX

## PARK FREİNİ-4 SİLİNDİR

RES. NO	PARÇA NO	NATO STOK NO	MALZEMENİN ADI	MALZEMENİN YABANCI ADI	KOMP. MİK.	DAĞ. BİRİMİ
---------	----------	--------------	----------------	------------------------	------------	-------------

## TRANSMISSION BRAKE-4 CYLINDER



1	STC243		Tabla	Back Plate	1	ADET
2	RTC6179		Fren Pabuc Takımı	Brake Shoe Set	1	ADET
3	STC244	2530-99-258-1922	Ayar Kütüğü	Adjuster Assembly	1	ADET
	STC245	2530-99-495-7907	Ayar Kütüğü Tamir Takımı	Service Kit Adjuster	1	ADET
4	AEU2734	2530-99-798-0208	Açma Takozu	Expander Assembly	1	ADET
	AEU2735	2530-99-798-0209	Açma Takozu Tamir Takımı	Service Kit Expander	1	ADET
5	AEU2736	2530-99-798-0210	Kumanda Çubuğu	Drawlink	1	ADET
6	STC246	5360-99-660-1341	Pabuç Yayı	Spring Shoe Return Set	1	ADET
7	515466	2530-99-836-5020	Toz Lastiği	Dust Cover	1	ADET
8	515467	2530-99-833-8933	Kilit Sacı	Plate Locking	1	ADET
9	515470	2530-99-833-8934	Sac	Plate Packing	1	ADET
10	515468	2530-99-833-8935	Yaylı sac	Plate Spring	1	ADET
11	AEU2737	5306-99-730-3103	Cıvata	Bolt	2	ADET
12	AEU2738	5310-99-730-3104	Pul	Washer	2	ADET
13	FRC3502	2530-99-798-0216	Kampana	Brake Drum	1	ADET
14	SA108201L	5305-99-135-0269	Kampana Tespit Cıvatası	Screw Fixing Drum	2	ADET
15	FRC8093	2530-99-729-6635	Yağ Kapanı	Oil Catcher	1	ADET
16	AFU1400	5306-99-730-3102	Tablo Saplaması	Bolt Transmission Brake	4	ADET

NOT:Şasi no 8FF387977'den sonra

### LAND ROVER 110 YEDEK PARÇALARI

2-18

### ARA ŞANZİMAN-TRANSFER BOX

### ARA ŞANZİMAN-CONTA KİTİ-4 SİLİNDİR

RES. NO	PARÇA NO	NATO STOK NO	MALZEMENİN ADI	MALZEMENİN YABANCI ADI	KOMP. MİK.	DAG. BİRİMİ
1	RTC3890	5330-99-978-2255	Conta ve Keçe Kiti	Gasket and Seals Kit	1	ADET
	FRC5486	5330-99-792-0923	Conta-Vites Değiştirme Kovanı	Gasket-Gearchange Housing	1	ADET
	FRC6306	5330-99-792-0922	Conta-Vites Değiştirme Kovanı	Gasket-Gearchange Housing	1	ADET

	FRC4565	5330-99-826-2027	O'Ring-Transfer Dişli Kutusu	O'Ring-Transfer Gearchange	1	ADET
	FRC5479	5330-99-792-0912	O'Ring-Transfer Dişli Kutusu	O'Ring-Transfer Gearchange	1	ADET
	FRC4509	5330-99-826-9889	O'Ring-Transfer Dişli Kutusu	O'Ring-Transfer Gearchange	2	ADET
	FRC5416	5330-99-792-0836	Bağlantı Contası-Alt Kapak	Joint Washer-Bottom Cover	1	ADET
	FRC5409	5330-99-792-0904	Bağlantı Contası-Km. Sayacı Yuvası	Joint Washer-Speedo Housing	1	ADET
	FRC5413	5330-99-792-0849	Bağlantı Contası-Kovan	Joint Washer-Housing	2	ADET
	FRC4808	5330-99-792-0835	Bağlantı Contası-Drenaj Tapası	Joint Washer-Drain Plug	1	ADET
	FRC5419	5330-99-826-2029	O'Ring-Ara şaft	O'Ring-Intershaft	1	ADET
	FRC2365	5330-99-792-0781	Yağ Keçesi-Ana Mil	Oil Seal-Mainshaft	1	ADET
	532323	5330-99-873-8115	O'Ring-Şaft	O'Ring-Shaft	1	ADET
	FRC6103	5330-99-792-5586	Bağlantı Contası-On Çıkış Yuvası	Joint Washer-Frt. Output Housing	1	ADET
	FRC6105	5330-99-147-4894	Bağlantı Contası-On Çıkış Yuvası	Joint Washer-Frt.Output Housing	1	ADET
	FRC7998	5330-99-788-8089	Bağlantı Contası-On Çıkış Yuvası	Joint Washer-Frt. Output Housi	1	ADET
	FRC2464	5330-99-792-0902	Sızdırmazlık Contası-Çıkış Flanşı	Sealing Washer-Output Flange	2	ADET
	FRC7043	5330-99-792-0900	Yağ Keçesi-Çıkış Flanşı	Oil Seal-Output Flange	1	ADET
	FRC5473	5330-99-781-9385	O'Ring-Seçici Çubuk	O'Ring-Selector Finger	1	ADET
	FRC5576	5330-99-792-0896	O'Ring-Seçici Çubuk	O'Ring-Selector Finger	1	ADET
	FRC7043	5330-99-792-0900	Yağ Keçesi-Arka Çıkış Mili	Oil Seal-Rear Output Shaft	1	ADET
	571665	5330-99-810-5080	O'Ring-Kilometre Mili	O'Ring-Speedo Spindle	1	ADET
	AAU2304	5330-99-100-7923	Yag Kecesi-Kilometre Mili	Oil Seal-Speedo Spindle	1	ADET

**LAND ROVER 110 YEDEK PARÇALARI**

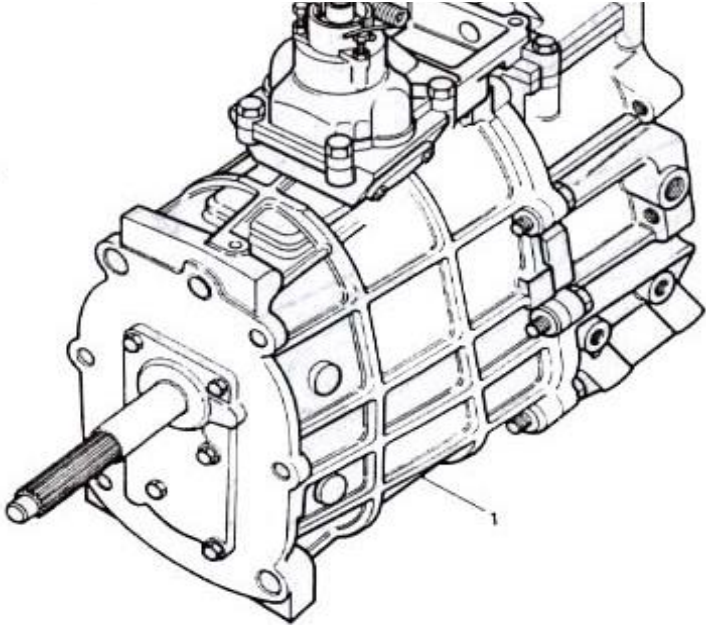
**3-1**

**ŞANZIMAN VE DEBRİYAJ KUMANDALARI  
GEARBOX AND CLUTCH RELEASE**

**ŞANZIMAN KOMPLE**

RES. NO	PARÇA NO	NATO STOK NO	MALZEMENİN ADI	MALZEMENİN YABANCI ADI	KOMP. MİK.	DAG. BİRİMİ
1	FRC5928R		Şanzıman Komple-Revizyonlu	Gearbox Assembly-Reconditioned	1	ADET
	RTC6999R		Şanzıman Komple-Revizyonlu	Gearbox Assembly-Reconditioned	1	ADET
	RTC6868R		Şanzıman Komple-Revizyonlu	Gearbox Assembly-Reconditioned	1	ADET
	RTC6867N	2520-99-244-4133	Şanzıman Komple-Yeni	Gearbox Assembly-New	1	ADET
	STC1006N	2520-99-244-4133	Şanzıman Komple-Yeni	Gearbox Assembly-New	1	ADET

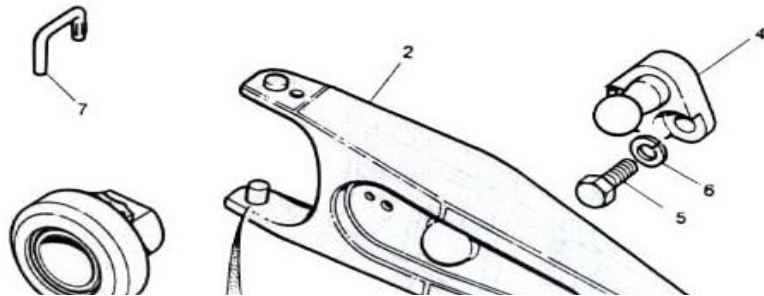




NOT1:1988 Model Yılı Araçlar İçin  
 NOT2:1989 Model Yılı Araçlar İçin  
 NOT3:1990 Model Yılı Araçlar İçin  
 NOT4:1991 Model Yılı Araçlar İçin

### LAND ROVER 110 YEDEK PARÇALARI

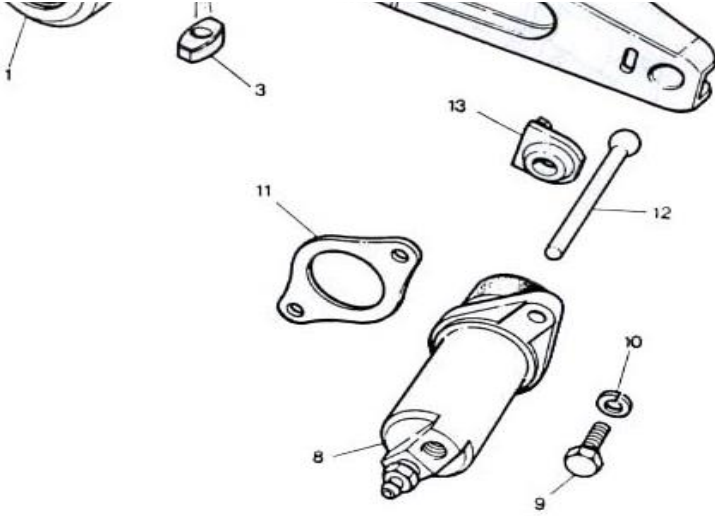
#### ŞANZIMAN-DEBRİYAJ BASKI MEKANİZMASI-4 SİLİNDİR GEARBOX-CLUTCH RELEASE MECHANISM-4



3-2

### ŞANZIMAN VE DEBRİYAJ KUMANDALARI GEARBOX AND CLUTCH RELEASE

RES. NO	PARÇA NO	NATO STOK NO	MALZEMENİN ADI	MALZEMENİN YABANCI ADI	KOMP. Mik.	DAĞ. BİRİMİ
1	FRC9568	3110-99-727-6035	Debriyaj Bilyası	Bearing and Sleeve Clutch Release	1	ADET
2	FRC3326	2520-99-729-9838	Debriyaj Çatalı	Operating Lever Assy-Clutch	1	ADET
3	FRC5255	2540-99-729-9839	Pabuç Takoz-Debriyaj Kolu	Slipper Pad-Clutch Lever	2	ADET
4	FRC5180	2520-99-729-9836	Pivot Plaka Komp.-Debriyaj Baskı Kolu	Pivot Plate Assy-Clutch Release Lever	1	ADET
5	11000-80020-AA	5305-99-122-5253	Civata	Bolt (SH108301)	2	ADET
6	11000-80302-AA	5310-27-006-2928	Yaylı Rondela	Spring Washer	2	ADET
7	FRC3416	2540-99-729-9840	Kanca-Baskı Çubuğundan Göbeğe	Staple-Release Lever to Sleeve	1	ADET
8	591231	2520-99-819-3923	Debriyaj Alt Silindiri	Clutch Slave Cylinder	1	ADET
	8G8600L	2520-99-833-6960	Tamir Kiti-Silindir	Overhaul Kit-Slave Cylinder	1	ADET
9	11000-80017-AA	5306-27-006-2704	Civata	Bolt (SH108251)	2	ADET
10	11000-80302-AA	5310-27-006-2928	Yaylı Rondela	Spring Washer	2	ADET
11	591988	5330-99-819-3924	Arka Plaka-Silindir	Backing Plate-Slave Cylinder	1	ADET



12	FRC3417	2520-99-729-9841	İtici Çubuk-Silindir	Push Rod-Cylinder	1	ADET
13	FRC3327	5340-99-729-9842	Kelepçe-İtici Çubuktan Kola	Clip-Push Rod To Lever	1	ADET

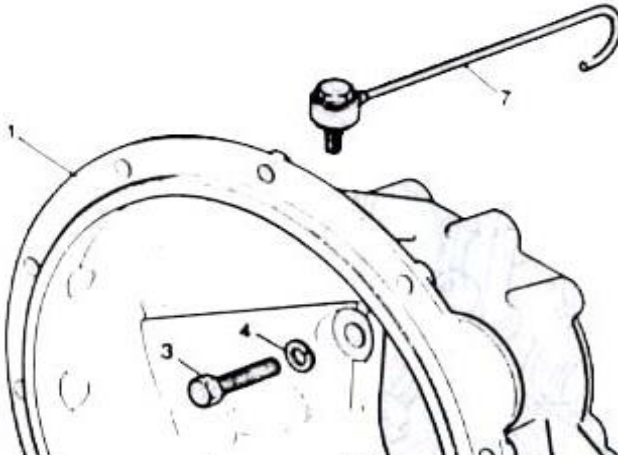
### LAND ROVER 110 YEDEK PARÇALARI

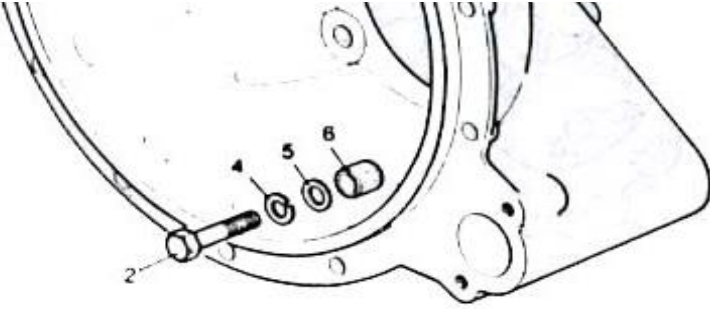
3-3

### ŞANZİMAN VE DEBRİYAJ KUMANDALARI GEARBOX AND CLUTCH RELEASE

### ŞANZİMAN-KAVRAMA KOVANI-4 SİLİNDİR GEARBOX-CLUTCH HOUSING-4 CYLINDER

RES. NO	PARÇA NO	NATO STOK NO	MALZEMENİN ADI	MALZEMENİN YABANCI ADI	KOMP. MİK.	DAG. BİRİMİ
1	FRC9865	2520-99-256-4629	Kavrama Kovanı	Clutch Housing	1	ADET
2	BH112091L	5306-99-122-2787	Kovan Saplaması	Bolt-Housing To Gearbox	2	ADET
3	11000-80051-AA		Kovan Saplaması	Screw-Housing to Gearbox	4	ADET
4	11000-80305-AA	5310-27-006-2930	Yaylı Rondela	Spring Washer	6	ADET
5	71A00-80329-AA	5310-99-122-6477	Düz Pul	Plain Washer	2	ADET
6	UKC25L	5315-99-792-0822	Pim	Dowel-Housing To Gearbox	2	ADET
	FRC8758		Pim-Tapa	Dowel-Plug	2	ADET
7	FRC6375	2520-99-721-3555	Havalandırma Komple	Breather Assembly	1	ADET
	FRC9428		Havalandırma Komple	Breather Assembly	1	ADET
	FN110041	5310-99-122-5297	Somun	Nut	11	ADET
	71A00-80327-AA	5310-99-122-6476	Düz Pul	Plain Washer	11	ADET

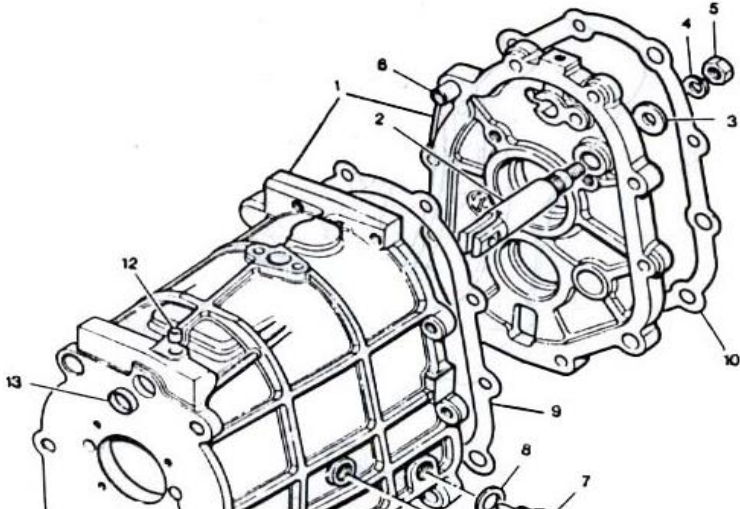




NOT1:Şasi No 170457'ye kadar  
NOT2:Şasi No 170458'den itibaren

### LAND ROVER 110 YEDEK PARÇALARI

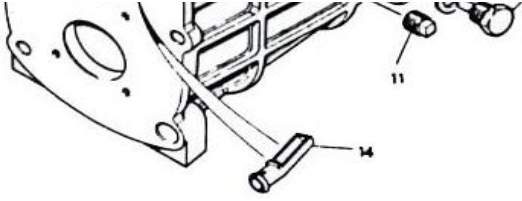
### ŞANZİMAN-ŞANZİMAN KUTUSU-4 SİLİNDİR



### ŞANZİMAN VE DEBRİYAJ KUMANDALARI GEARBOX AND CLUTCH RELEASE

RES. NO	PARÇA NO	NATO STOK NO	MALZEMENİN ADI	MALZEMENİN YABANCI ADI	KOMP. Mik.	DAĞ. Birimi
1	STC471	2520-99-125-4920	KUTU-MERKEZLEME PİMLERİ-YATAK PLAKASI	GEARCASE-DOWELS-CENTRE PLATE ASSY	1	ADET
2	FRC8383	3040-99-253-3953	Geri Vites Çubuk Manivela Mili	Pin-Reverse Lever Mounting	1	ADET
3	11000-80327-AA	5310-99-122-6476	Düz Pul	Plain Washer	1	ADET
4	11000-80303-AA	5310-27-006-2929	Yaylı Rondela	Spring Washer	1	ADET
5	12B07-80207-AA	5310-27-006-2770	Somun	Nut (NH110041)	1	ADET
6	UKC170L	5315-99-792-0743	Pim-İçi Boş	Hollow-Dowel	2	ADET
7	FRC6145	5365-99-792-0652	Boşaltma Tapası	Drain Plug	1	ADET
8	FRC7064	5330-99-792-0653	Pul	Joint Washer	1	ADET
9	TKC1229L	5330-99-792-0657	Conta-Kutu Yatak Plakası Arası	Gasket-Gearcase To Centre Plate	1	ADET
10	TKC1235L	5330-99-792-0744	Conta-Yatak Plakası 5-Vites Arası	Gasket-Centre Plate To Extension Hsng	1	ADET
11	3292	4730-99-923-5244	Yağ Seviye Tapası	Plug Oil Lever	1	ADET
12	UKC24L	5340-99-792-0656	Kör Tapa	Plug Core	1	ADET
13	UKC30L	5340-99-792-0655	Kör Tapa	Core Plug	1	ADET
14	TKC5779L	2520-99-792-0654	Yağ Tapası	Oil Catcher	1	ADET
	FRC9803	5340-99-787-5428	Kör Tapa	Core Plug	1	ADET
	UKC25L	5315-99-792-0822	Pim	Dowel	2	ADET

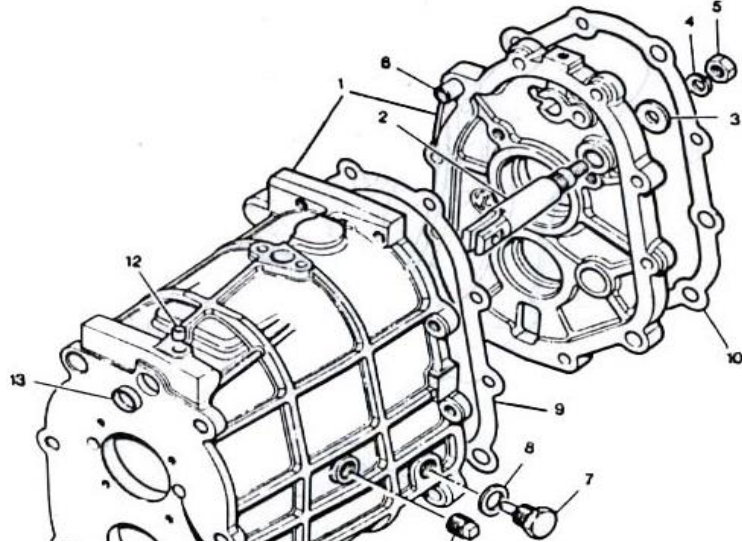




NOT:1988 Model Yılı araçlar ve öncesi için geçerlidir.

### LAND ROVER 110 YEDEK PARÇALARI

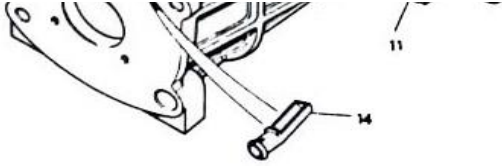
### ŞANZİMAN-ŞANZİMAN KUTUSU-4 SİLİNDİR



3-5

### ŞANZİMAN VE DEBRİYAJ KUMANDALARI GEARBOX AND CLUTCH RELEASE

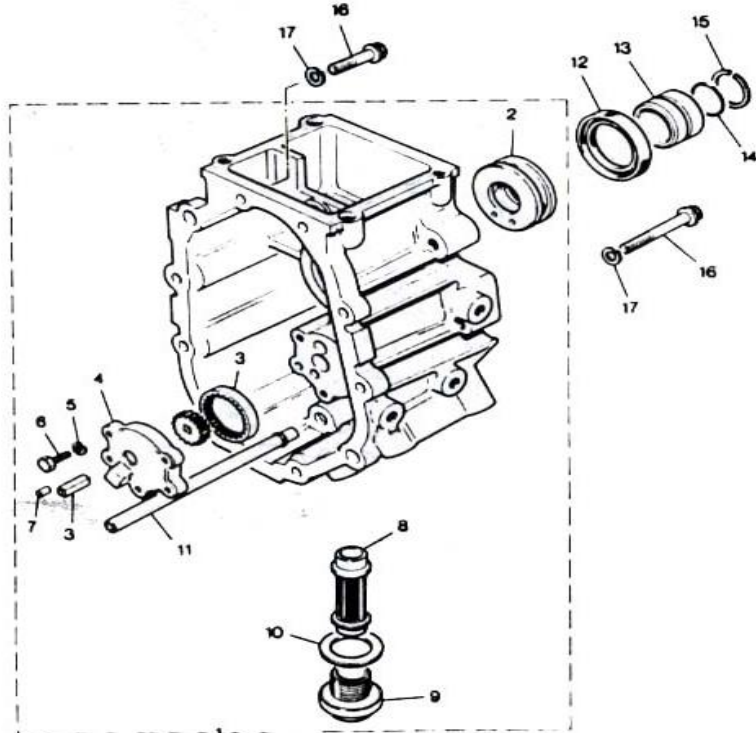
RES. NO	PARÇA NO	NATO STOK NO	MALZEMENİN ADI	MALZEMENİN YABANCI ADI	KOMP. MİK.	DAG. BİRİMİ
1	STC1036	2520-99-932-7050	Kutu Merkezleme Pimleri-Yatak Plakası	GEARCASE-DOWELS-CENTRE PLATE ASSY	1	ADET
	FTC918		Kutu Merkezleme Pimleri-Yatak Plakası	GEARCASE-DOWELS-CENTRE PLATE ASSY	1	ADET
	FTC2192	2520-99-664-9211	KUTU-MERKEZLEME PLAKASI-YATAK PLAKASI	GEARCASE-DOWELS-CENTRE PLATE ASSY	1	ADET
2	FRC8383	3040-99-253-3953	Geri Vites Çubuk Manivela Mili	Pin-Reverse Lever Mounting	1	ADET
3	11000-80327-AA	5310-99-122-6476	Düz Pul	Plain Washer	1	ADET
4	11000-80303-AA	5310-27-006-2929	Yaylı Rondela	Spring Washer	1	ADET
5	12B07-80207-AA	5310-27-006-2770	Somun	Nut	1	ADET
6	UKC170L	5315-99-792-0743	Pim-İçi Boş	Hollow-Dowel	2	ADET
7	FRC6145	5365-99-792-0652	Boşaltma Tapası	Drain Plug	1	ADET
8	FRC7064	5330-99-792-0653	Pul	Joint Washer	1	ADET
9	TKC1229L	5330-99-792-0657	Conta-Kutu Yatak Plakası Arası	Gasket-Gearcase To Centre Plate	1	ADET
10	TKC1235L	5330-99-792-0744	Conta-Yatak Plakası 5.Vites Arası	Gasket-Centre Plate To Extension Hsng.	1	ADET
11	3292	4730-99-923-5244	Yağ Seviye Tapası	Plug Oil Lever	1	ADET
12	UKC24L	5340-99-792-0656	Kör Tapa	Plug Core	1	ADET
13	UKC30L	5340-99-792-0655	Kör Tapa	Core Plug	1	ADET
14	TKC5779L	2520-99-792-0654	Yağ Tapası	Oil Catcher	1	ADET



NOT1:1989 Model Yılı Araçlar İçin  
 NOT2:1990 Model Yılı Araçlar İçin  
 NOT3:1991 Model Yılı Araçlar ve Sonrası İçin

## LAND ROVER 110 YEDEK PARÇALARI

### ŞANZİMAN-5. VİTES KOVANI-4 SİLİNDİR GEARBOX-EXTENSION CASE-4 CYLINDER



3-6

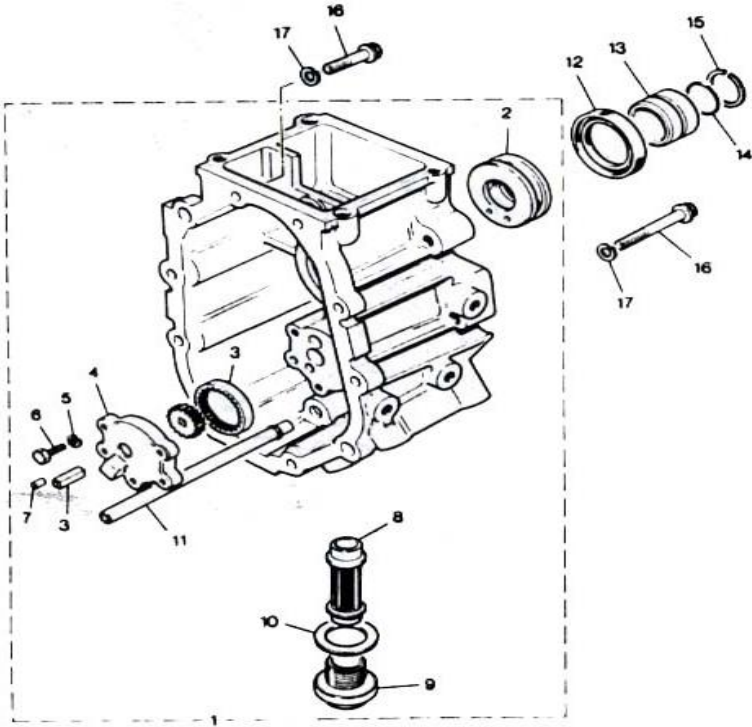
## ŞANZİMAN VE DEBRİYAJ KUMANDALARI GEARBOX AND CLUTCH RELEASE

RES. NO	PARÇA NO	NATO STOK NO	MALZEMENİN ADI	MALZEMENİN YABANCI ADI	KOMP. MİK.	DAĞ. BİRİMİ
1	FRC9562	2520-99-781-9481	5-VİTES KOVANI YAG POMPASI KOMPLE	EXTENSION CASE AND OIL PUMP ASSY	1	ADET
2	FRC4449	2520-99-792-0775	Yağ Besleme Keçesi	Oil Feed Ring	1	ADET
3	RTC2057	3020-99-792-0772	Pompa Dişlileri Ve Mili-Takım	Kit-Pump Gears And Shaft	1	ADET
4	FRC6246	2520-99-792-0773	Yağ Pompası Gövdesi	Body-Oil Pump	1	ADET
5	11000-80301-AA	5310-27-006-2927	Yaylı Rondela	Spring Washer	3	ADET
6	11000-80008-AA	5306-27-006-2700	Civata	Screw	3	ADET
7	UKC2738L	5315-99-792-0774	Pim-Merkezleme	Dowel	2	ADET
8	FRC6244	2520-99-792-0776	Süzgeç	Filter	1	ADET
9	90571104	5365-99-823-7205	Süzgeç Tapası	Plug-Filter	1	ADET
10	FRC4810	5330-99-762-8209	Düz Pul-Tapa	Washer-Plug	1	ADET
11	FRC8104		Pompa Emiş Borusu	Inlet Pipe-Pump	1	ADET
12	FRC2365	5330-99-792-0781	5-Vites Kovanı Keçesi	Oil Seal-Extension Case	1	ADET
13	FRC4493	2520-99-792-0782	Keçe Burcu	Collar-Oil Seal	1	ADET
14	FRC4501	5330-99-538-3600	Burç O'Ringi	O'Ring Collar	1	ADET
15	FRC4494	5365-99-874-3068	Burç Yaylı Segmanı	Spring Ring Collar	1	ADET
16	14C01-80103-AA	5305-99-122-5256	Kovan Saplaması-Kovanı Şanzımana	Bolt-Extension to Gearbox	2	ADET
	FRC4282	5306-99-792-0780	Kovan Saplaması-Kovanı Şanzımana	Bolt-Extension To G/Box	8	ADET
17	11000-80302-AA	5310-27-006-2928	Yaylı Rondela	Spring Washer	10	ADET

NOT1:1989 Model Yılı Araçlar ve öncesi için geçerlidir.

## LAND ROVER 110 YEDEK PARÇALARI

### ŞANZİMAN-5. VİTES KOVANI-4 SİLİNDİR



3-7

## ŞANZİMAN VE DEBRİYAJ KUMANDALARI GEARBOX AND CLUTCH RELEASE

RES. NO	PARÇA NO	NATO STOK NO	MALZEMENİN ADI	MALZEMENİN YABANCI ADI	KOMP. Mik.	DAĞ. BİRİMİ
1	FTC1518	2520-99-533-9807	5-VİTES KOVANI YAĞ POMPASI KOMPLE	EXTENSION CASE AND OIL PUMP ASSY	1	ADET
	FTC890		Saplama-Kaldırma Braketi	Stud-Lifting Bracket	1	ADET
	FTC1533		Vida-Tapa	Screw-Plug	1	ADET
2	FRC4449	2520-99-792-0775	Yağ Besleme Keçesi	Oil Feed Ring	1	ADET
3	RTC6730		Pompa Dişlileri Ve Mili-Takım	Kit-Pump Gears And Shaft	1	ADET
4	FTC1403		Yağ Pompası Gövdesi	Body-Oil Pump	1	ADET
5	11000-80351-AA	5310-27-006-2934	Düz Pul	Plain Washer (WA106001)	3	ADET
6	71A00-80010-AA	5306-27-006-2690	Civata	Screw (BH106061)	3	ADET
7	UKC2738L	5315-99-792-0774	Pim-Merkezleme	Dowel	2	ADET
8	FRC6244	2520-99-792-0776	Süzgeç	Filter	1	ADET
9	90571104	5365-99-823-7205	Süzgeç Tapası	Plug-Filter	1	ADET
10	FRC4810	5330-99-762-8209	Düz Pul-Tapa	Washer Plug	1	ADET
11	FRC8104		Pompa Emiş Borusu	Inlet Pipe-Pump	1	ADET
12	FRC2365	5330-99-792-0781	5-Vites Kovanı Keçesi	Oil Seal-Extension Case	1	ADET
13	FRC4493	2520-99-792-0782	Keçe Burcu	Collar-Oil Seal	1	ADET
14	FRC4501	5330-99-538-3600	Burç O'Ringi	O'Ring Collar	1	ADET
15	FRC4494	5365-99-874-3068	Burç Yaylı Segmanı	Spring Ring Collar	1	ADET
16	BH108105L		Kovan Saplaması-Kovanı Şanzımana	Bolt-Extension To G/Box	2	ADET
	FRC4282	5306-99-792-0780	Kovan Saplaması-Kovanı Şanzımana	Bolt-Extension To G/Box	8	ADET
17	11000-80302-AA	5310-27-006-2928	Yaylı Rondela	Spring Washer	10	ADET

NOT1:1990 Model Yılı Araçlar ve öncesi için geçerlidir.

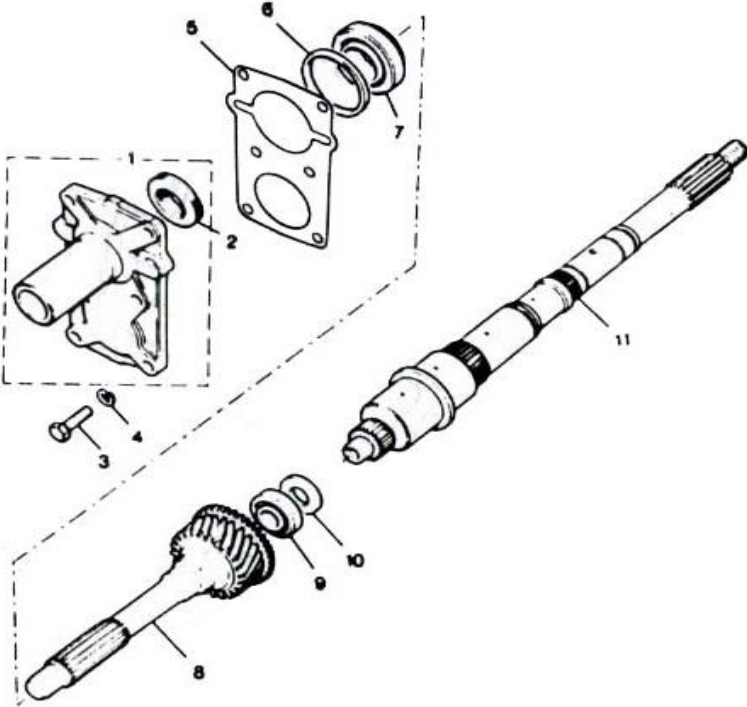
## LAND ROVER 110 YEDEK PARÇALARI

3-8

ŞANZİMAN VE DEBRİYAJ KUMANDALARI  
GEARBOX AND CLUTCH RELEASEŞANZİMAN-PRİZDİREK VE KAMALI MİL-4 SİLİNDİR  
GEARBOX-MAINSHAFT-4 CYLINDER

RES. NO	PARÇA NO	NATO STOK NO	MALZEMENİN ADI	MALZEMENİN YABANCI ADI	KOMP. MİK.	DAG. BİRİMİ
1	FRC4856	2520-99-792-0658	Şanzıman Ön Kapak Komple	Cover Assemmbly-Gearbox	1	ADET
	FTC311	2520-99-629-7983	Şanzıman Ön Kapak Komple	Cover Assemmbly-Gearbox	1	ADET
	FTC917		Şanzıman Ön Kapak Komple	Cover Assemmbly-Gearbox	1	ADET
2	UKC1060L	5330-99-829-9860	Ön Kapak Yağ Keçesi	Oil Seal-Front Cover	1	ADET
3	11000-80017-AA	5306-27-006-2704	Civata	Screw (SH108251)	6	ADET
4	11000-80324-AA	5310-27-006-2935	Düz Pul	Plain Washer	6	ADET
5	FRC4873	5330-99-792-0660	Conta-Ön Kapak Kutu Arası	Gasket-Front Cover To Gear Case	1	ADET
	FTC316		Conta-Ön Kapak Kutu Arası	Gasket-Front Cover To Gear Case	1	ADET
6			Prizdirek Ön yükleme Pulu	SELECTIVE WASHER CONSTANT PINION	1	ADET
	FRC4327	5365-99-792-0663	1.51mm	1.51mm	1	ADET
	FRC4329	5365-99-792-0664	1.57mm	1.57mm	1	ADET
	FRC4331	5365-99-792-0665	1.63mm	1.63mm	1	ADET
	FRC4333	5365-99-792-0666	1.69mm	1.69mm	1	ADET
	FRC4335	5365-99-792-0667	1.75mm	1.75mm	1	ADET
	FRC4337	5365-99-792-0668	1.81mm	1.81mm	1	ADET
	FRC4339	5365-99-792-0669	1.87mm	1.87mm	1	ADET

NOT1:1988 ve daha eski model araçlar için.  
 NOT2:1989 Model yılı araçlar için.  
 NOT3:1989 Model yılı araçlar ve sonrası için geçerlidir.  
 NOT4:1989 ve daha eski model araçlar için.  
 NOT5:1990 Model yılı araçlar ve sonrası için geçerlidir.  
 NOT6:1991 Model yılı araçlar ve sonrası için geçerlidir.  
 NOT7:Gereken pul kullanılmalıdır.  
 NOT8:1990 model yılı araçlar içindir.

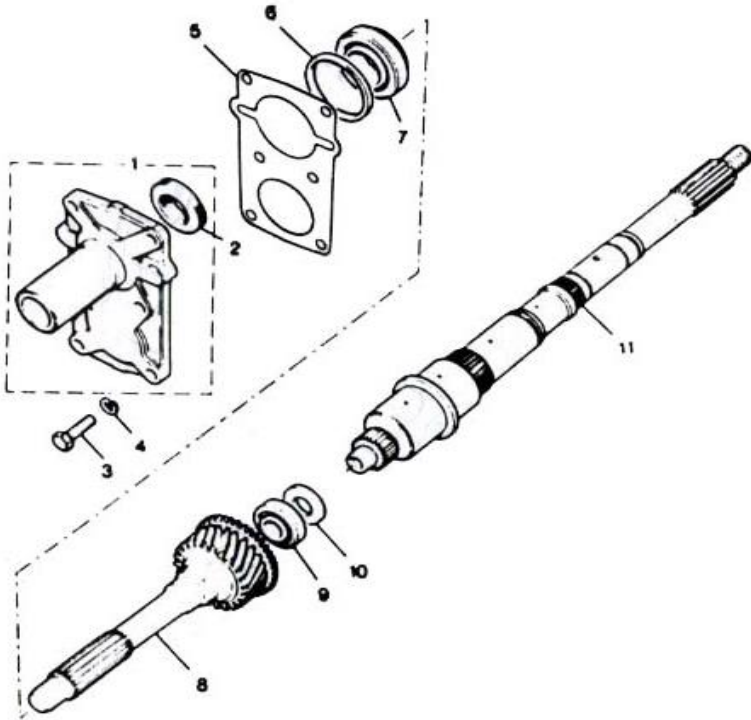


## LAND ROVER 110 YEDEK PARÇALARI

3-9

ŞANZİMAN VE DEBRİYAJ KUMANDALARI  
GEARBOX AND CLUTCH RELEASE

**ŞANZIMAN-PRİZDİREK VE KAMALI MİL-4  
SİLİNDİR  
GEARBOX-MAINSHAFT-4 CYLINDER**



RES. NO	PARÇA NO	NATO STOK NO	MALZEMENİN ADI	MALZEMENİN YABANCI ADI	KOMP. MİK.	DAG. BİRİMİ
	FRC4341	5365-99-792-0670	1.93mm	1.93mm	1	ADET
	FRC4343	5365-99-792-0671	1.99mm	1.99mm	1	ADET
	FRC4345	5365-99-792-0672	2.05mm	2.05mm	1	ADET
	FRC4347	5365-99-792-0673	2.11mm	2.11mm	1	ADET
	FRC4349	5365-99-792-0674	2.17mm	2.17mm	1	ADET
	FRC4351	5365-99-792-0675	2.23mm	2.23mm	1	ADET
	FRC4353	5365-99-792-0676	2.29mm	2.29mm	6	ADET
	FRC4355	5365-99-792-0677	2.35mm	2.35mm	1	ADET
	FRC4357	5365-99-792-0678	2.41mm	2.41mm	1	ADET
	FRC4359	5365-99-792-0679	2.47mm	2.47mm	1	ADET
	FRC4361	5365-99-792-0680	2.53mm	2.53mm	1	ADET
	FRC4363	5365-99-792-0681	2.59mm	2.59mm	1	ADET
	FRC4365	5365-99-792-0682	2.65mm	2.65mm	1	ADET
	FRC4367	5365-99-792-0683	2.71mm	2.71mm	1	ADET
	FRC4369	5365-99-792-0684	2.77mm	2.77mm	1	ADET
7	FRC7145	3110-99-792-0685	Rulman	Bearing	1	ADET
	RTC6751	3110-99-792-0685	Rulman	Bearing	1	ADET
8	FRC4845	3040-99-722-9711	Prizdirek Mili	Shaft-Constant Pinion	1	ADET
	FTC1406	3040-99-301-6836	Prizdirek Mili	Shaft-Constant Pinion	1	ADET
	FTC1293		Eşzamanlı Durma Diski	Disc Synchro Stop	1	ADET
9	UKC8L		Kamalı Mil Uç Bilyası	Bearing-Constant Pinion Rear	1	ADET
10	UKC37L	2520-99-792-0688	Mesafe Pulu-Senkromenc	Spacer-Synchro Hub To Pilot Bear	1	ADET
11	FRC5305	3040-99-792-0695	Kamalı Mil	Mainshaft Assy	1	ADET
	FTC1446	2520-99-096-1550	Kamalı Mil	Mainshaft Assy	1	ADET
	FTC1282		Kamalı Mil	Mainshaft Assy	1	ADET

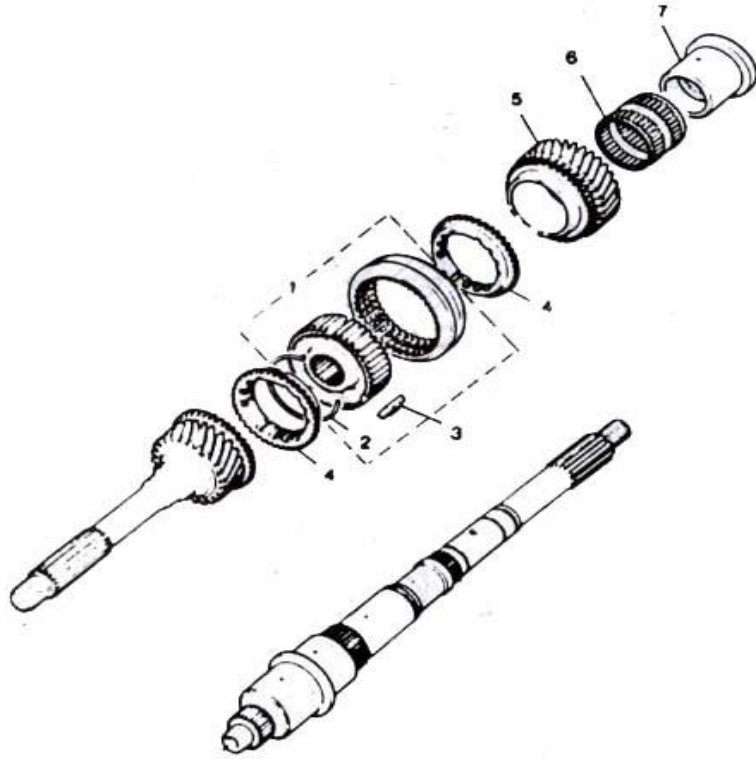
**LAND ROVER 110 YEDEK PARÇALARI**

**3-10**

**ŞANZIMAN VE DEBRİYAJ KUMANDALARI  
GEARBOX AND CLUTCH RELEASE**

**ŞANZIMAN-KAMALI MİL DİŞLİLERİ  
GEARBOX-MAINSHAFT GEARS**

RES. NO	PARÇA NO	NATO STOK NO	MALZEMENİN ADI	MALZEMENİN YABANCI ADI	KOMP. MİK.	DAG. BİRİMİ
1	FTC1328		SENKROMEK KUTUGU 3./4.VİTES	SYNCHROMESH ASSY 3RD/4TH GEARS	1	ADET



2	UKC31L	5365-99-792-0691	Yay Senkromec	Spring -Synchromesh	2	ADET
3	UKC3530L	2520-99-792-0692	Senkromec Kilidi	Shifting Plate	3	ADET
4	FRC8232	2520-99-792-0690	Senkromec 3./4. Vites	Baulk Ring 3rd/4th Gears	2	ADET
5	TKC6962L	3020-99-722-9712	3. Vites Dişlisi	Gear 3rd Speed	1	ADET
	FTC922		3.Vites Dişlisi	Gear 3rd Speed	1	ADET
	FTC2505		Burç-Kamalı Mil 3.Vites Dişlisi	Bush-Mainshaft 3rd Gear	1	ADET
6	FTC1313		İğneli Rulman	Bearling Heedle Roller	2	ADET
7	FTC1310		Burç-Kamalı Mil 3.Vites Dişlisi	Bush-Mainshaft 3rd Gear	1	

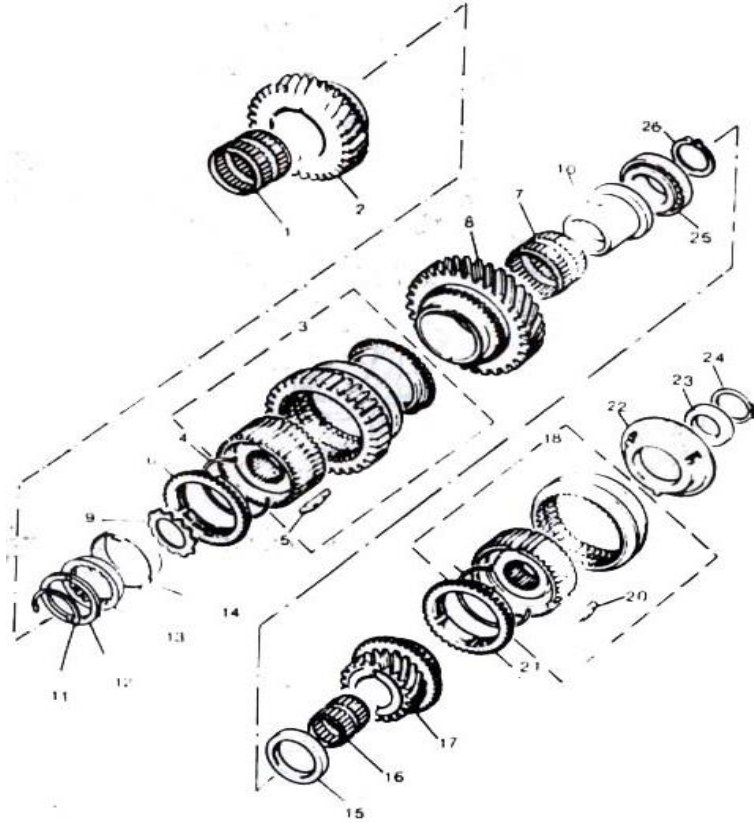
### LAND ROVER 110 YEDEK PARÇALARI

3-11

### ŞANZİMAN VE DEBRİYAJ KUMANDALARI GEARBOX AND CLUTCH RELEASE

### ŞANZİMAN-KAMALI MİL DİŞLİLERİ-4 SİLİNDİR GEARBOX-MAINSHAFT GEARS-4 CYLINDER

RES. NO	PARÇA NO	NATO STOK NO	MALZEMENİN ADI	MALZEMENİN YABANCI ADI	KOMP. Mik.	DAG. Birimi
1	FRC5678	3110-99-792-0694	İğne Rulman-2./3.Vites Dislisi	Bearing-Needle Roller 2nd/3rd Gears	2	ADET
2	FRC5279	3020-99-788-7779	Disli-2. Vites	Gear-2nd Speed	1	ADET
3	FRC6670	2520-99-722-9714	SENKROMEK KUTUGU-1./2.VITES	SYNCHROMESH ASSY-1ST/2ND GEAR	1	ADET



	FRC9386	2520-99-256-4628	SENKROMEK KUTUGU-1/2.VITES	SYNCHROMESH ASSY-1ST/2ND	1	ADET
4	UKC31L	5365-99-792-0691	Senkromec Yayı	Spring	2	ADET
5	UKC3531L	2520-99-792-0699	Senkromec Kilit-1./2.Vites	Shifting Plate-1st/2nd Speed	3	ADET
6	FRC8232	2520-99-792-0690	Senkromec-2.Vites	Baulk Ring-2.Gear	1	ADET
7	FRC5679	3110-99-792-0701	İğne Rulman-1. Vites	Bearing Needle	1	ADET
8	FRC5253	3020-99-788-7778	Dişli-1. Vites	Gear-1st Speed	1	ADET
	UKC37L	2520-99-792-0688	Mesafe Pulu	Spacer-Synchro Hub/Pilot	1	ADET
9	FTC2084		Segman-1.ve 2.Göbek	Circlip-1st & 2nd Hub	2	ADET
10			Burç 1.Vites	Bush-1St Speed	1	ADET
	FRC5243	3120-99-792-0702	40.16-40.21mm	40.16-40.21mm	1	ADET
	FRC5244	3120-99-792-0703	40.21-40.26mm	40.21-40.26mm	1	ADET
	FRC5245	3120-99-792-0704	40.26-40.31mm	40.26-40.31mm	1	ADET
	FRC5246	3120-99-792-0705	40.31-40.36mm	40.31-40.36mm	1	ADET
	FRC5247	3120-99-792-0706	40.36-40.41mm	40.36-40.41mm	1	ADET
15	FRC4321	2520-99-792-0709	Mesafe Pulu 5.Vites	Collar-5th Gear	1	ADET
16	FRC5280	3110-99-792-0710	İğne Rulman-5.Vites	Needle Bearing-5th Gear	1	ADET

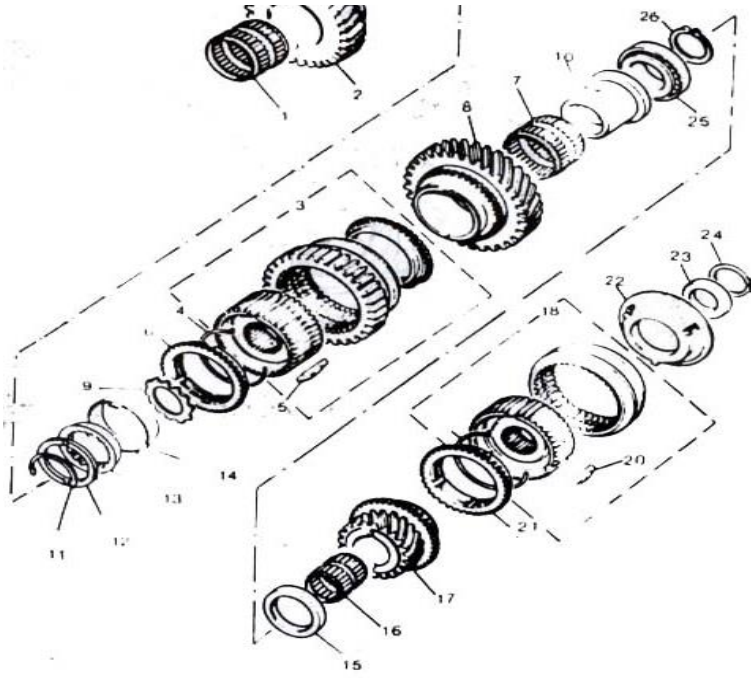
NOT:Bu sayfa 1989 model Yılı ve daha önceki araçları kapsar.  
 NOT1:Şasi No 173664'e kadar  
 NOT2:Şasi No:173665'ten itibaren.  
 NOT3:Gereken kalınlıktaki parçaların kullanılmalıdır.

### LAND ROVER 110 YEDEK PARÇALARI

### ŞANZİMAN-KAMALI MİL DİŞLİLERİ-4 SİLİNDİR GEARBOX-MAINSHAFT GEARS-4 CYLINDER



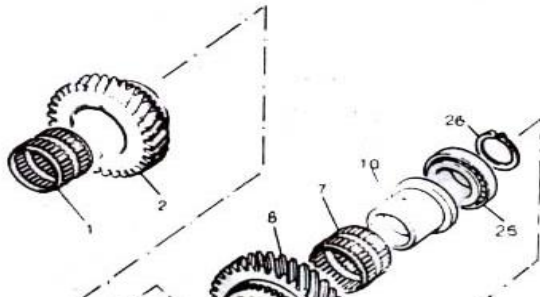
3-12		ŞANZİMAN VE DEBRİYAJ KUMANDALARI GEARBOX AND CLUTCH RELEASE				
RES. NO	PARÇA NO	NATO STOK NO	MALZEMENİN ADI	MALZEMENİN YABANCI ADI	KOMP. MİK.	DAĞ. BİRİMİ
17	RKC5098L	3020-99-722-9961	Dişli-5.Vites	Gear-5th	1	ADET
18	FRC9389	2520-99-256-4625	Senkromec Kutugu	Synchromesh Assy-5th	1	ADET
19	UKC31L	5365-99-792-0691	Yay	Spring	2	ADET
20	UKC3530L	2520-99-792-0692	Senkromec Kilidi	Shifting Plate	3	ADET
21	FRC8232	2520-99-792-0690	Senkromec-5.Vites	Baulk Ring-5th Speed Gear	1	ADET
22	FRC5235	2520-99-792-0713	Senkromet Dayama Sacı	Plate Support	1	ADET
23			SAC DAYAMA PULU	WASHER SUPPORT PLATE	1	ADET



	FRC5284	5310-99-792-0714	5.10mm	5.10mm	1	ADET
	FRC5286	5310-99-792-0715	5.16mm	5.16mm	1	ADET
	FRC5288	5310-99-792-0716	5.22mm	5.22mm	1	ADET
	FRC5290	5310-99-792-0717	5.28mm	5.28mm	1	ADET
	FRC5292	5310-99-792-0718	5.34mm	5.34mm	1	ADET
	FRC5294	5310-99-792-0719	5.40mm	5.40mm	1	ADET
	FRC5296	5310-99-792-0720	5.46mm	5.46mm	1	ADET
	FRC5298	5310-99-792-0721	5.52mm	5.52mm	1	ADET
	FRC5300	5310-99-792-0722	5.58mm	5.58mm	1	ADET
	FRC5302	5310-99-792-0723	5.64mm	5.64mm	1	ADET
24	FRC9526	5325-12-166-1464	Segman, Senkromeç	Circlip-5th Synchro Hub	1	ADET
25	RTC2914	3110-99-950-2325	Kamalı Mil Kuyruk Rulmanı	Bearing	1	ADET
26	FRC9812	5325-12-303-0323	Kuyruk Bilya Segmanı	Circlip	1	ADET

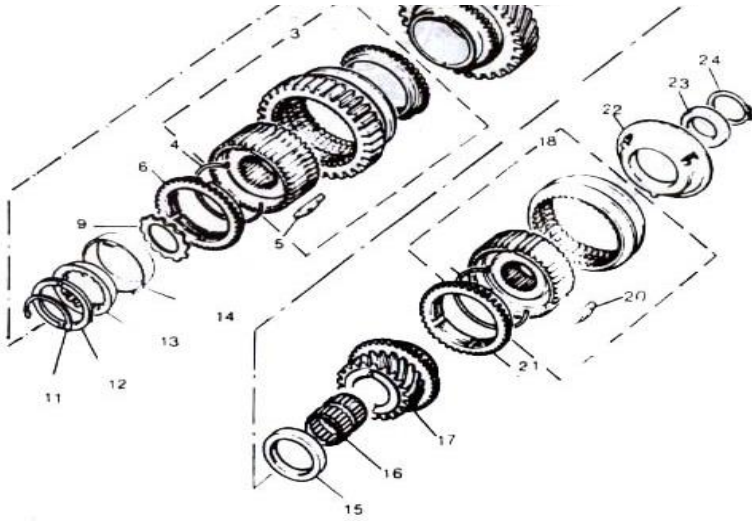
### LAND ROVER 110 YEDEK PARÇALARI

#### ŞANZİMAN-KAMALI MİL DİŞLİLERİ-4 SİLİNDİR GEARBOX-MAINSHAFT GEARS-4 CYLINDER



3-13		ŞANZİMAN VE DEBRİYAJ KUMANDALARI GEARBOX AND CLUTCH RELEASE				
RES. NO	PARÇA NO	NATO STOK NO	MALZEMENİN ADI	MALZEMENİN YABANCI ADI	KOMP. Mik.	DAĞ. BİRİMİ
1	FRC5678		İğne Rulman-2./3.Vites Dişlisi	2nd/3rd Gears Bearing-Needle Roller	2	
	FTC1312		İğne Rulman-2./3. Vites Dişlisi	2nd/3rd Gears	2	
2	FTC357		Dişli-2.Vites	Gear-2nd Speed	1	
	FTC2462		Dişli-2.Vites	Gear-2nd Speed	1	
3	FTC1361		Senkromec Kütüğü-1./2. Vites	Synchro Assy-1st/2nd Gear	1	
	FTC1394		Senkromec Kütüğü-1./2. Vites	Synchro Assy-1st/2nd Gear	1	
4	UKC31L		Senkromec Yayı	Spring	2	
5	UKC3531L		Senkromec Kilidi	Shifting Plate	3	
	FTC3373		Senkromec Kilidi	Shifting Plate	3	
6	FRC8232		Senkromec 1./2. Vites	Baulk Ring 1st/2nd Gear	2	
	FTC2282		Senkromec 1./2. Vites	Baulk Ring 1st/2nd Gear	2	





7	FRC5679		İğne Rulman-1. Vites	Bearing Needle	1	
8	FTC2089		Dişli-1. Vites	Gear-1st Speed	1	
	FTC1760		Dişli-1. Vites	Gear-1st Speed	1	
	UKC37L		Mesafe Pulu	Spacer-Synchro Hub/Pilot	1	
9	FTC2084		Segman-1.ve 2.Göbek	Circlip-1st & 2nd Hub	2	
10			BURÇ-1.VİTES	BUSH-1st SPEED	1	
	FRC5243		40.16-40.21mm	40.16-40.21mm	1	
	FRC5244		40.21-40.26mm	40.21-40.26mm	1	
	FRC5245		40.26-40.31mm	40.26-40.31mm	1	

NOT:1990 ve daha sonraki model araçlar için geçerlidir.  
 NOT1:1990 Model yılı araçlar için.  
 NOT2:1991 Model yılı araçlardan itibaren kullanılacaktır.  
 NOT3:Gerektiği kadar

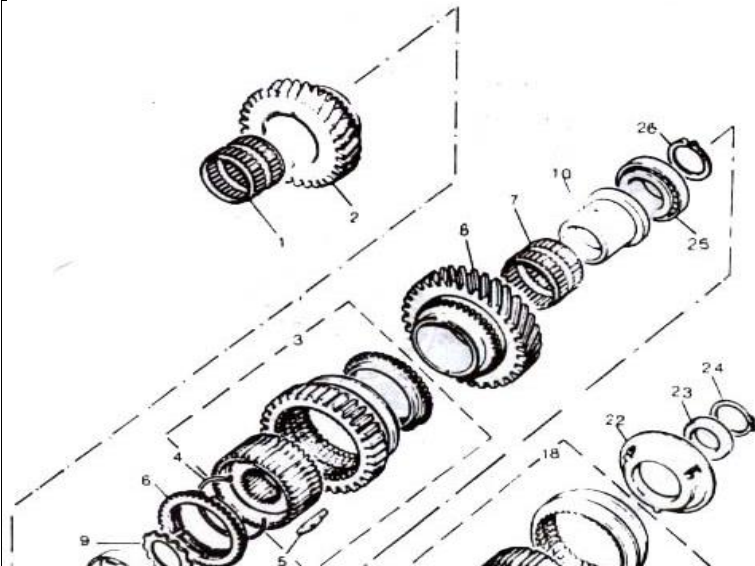
### LAND ROVER 110 YEDEK PARÇALARI

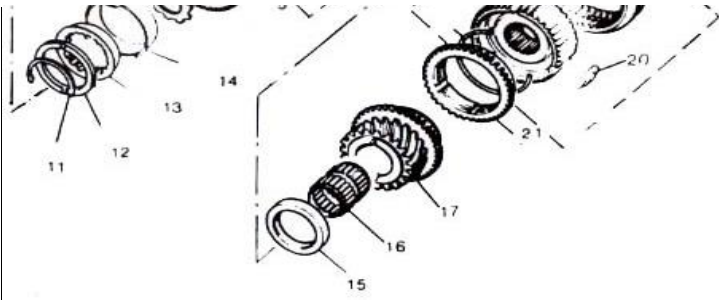
3-14

### ŞANZİMAN VE DEBRİYAJ KUMANDALARI GEARBOX AND CLUTCH RELEASE

### ŞANZİMAN-KAMALI MİL DİŞLİLERİ-4 SİLİNDİR

RES. NO	PARÇA NO	NATO STOK NO	MALZEMENİN ADI	MALZEMENİN YABANCI ADI	KOMP. MİK.	DAG. BİRİMİ
	FRC5246		40.31-40.36mm	40.31-40.36mm	1	ADET
	FRC5247		40.36-40.41mm	40.36-40.41mm	1	ADET
			BURÇ-1.VİTES	BUSH-1st SPEED	1	ADET
	FTC2005		40.16-40.21mm	40.16-40.21mm	1	ADET
	FTC2006		40.21-40.26mm	40.21-40.26mm	1	ADET
	FTC2007		40.26-40.31mm	40.26-40.31mm	1	ADET
	FTC2008		40.31-40.36mm	40.31-40.36mm	1	ADET
	FTC2009		40.36-40.41mm	40.36-40.41mm	1	ADET
11	FTC1752		Segman-Kamalı Mil	Circlip-Mainshaft	2	ADET
12	FTC1301		Mesafe Pulu	Spacer	2	ADET
13	FTC2283		Senkromec İç Burcu	Cone Synchro Inner	2	ADET
14	FTC2284		Senkromec Bileziği	Ring-Dual Line Synchro	2	ADET
			5. VİTES	5th GEAR	1	ADET
15	FTC916		Mesafe Pulu-5. Vites	Collar-5th Gear	1	ADET
16	FRC5280		İğne Rulman-5. Vites	Needle Bearing	1	ADET
17	FTC1791		Dişli-5.Vites	Gear-5th Speed	1	ADET
18	FTC1455		Senkromec	Synchro Assy	1	ADET
19	UKC31L		Senkromec Yayı	Spring	2	ADET
20	UKC3530L		Senkromec Kilidi	Shifting Plate	3	ADET



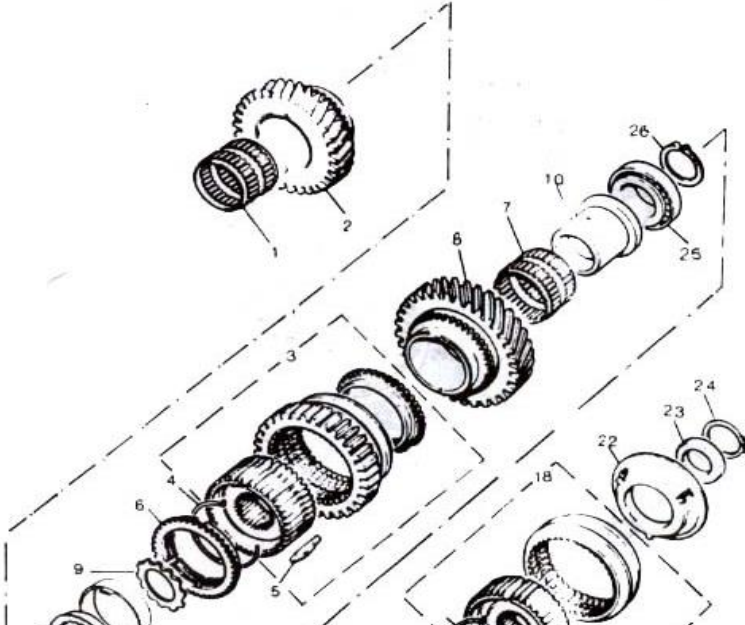


21	FRC8232		Senkromec-5.Vites	Baulk Ring	1	ADET
----	---------	--	-------------------	------------	---	------

NOT:1990 ve daha sonraki model araçlar için geçerlidir.  
 NOT1:1990 Model yılı araçlar için.  
 NOT2:1991 Model yılı araçlardan itibaren kullanılacaktır.  
 NOT3:Gerektiği kadar

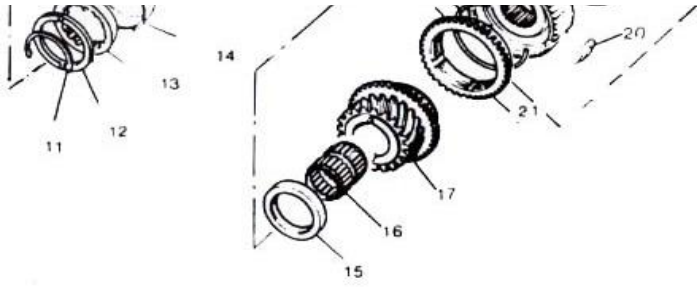
### LAND ROVER 110 YEDEK PARÇALARI

### ŞANZIMAN-KAMALI MİL DİŞLİLERİ-4 SİLİNDİR



### ŞANZIMAN VE DEBRİYAJ KUMANDALARI GEARBOX AND CLUTCH RELEASE

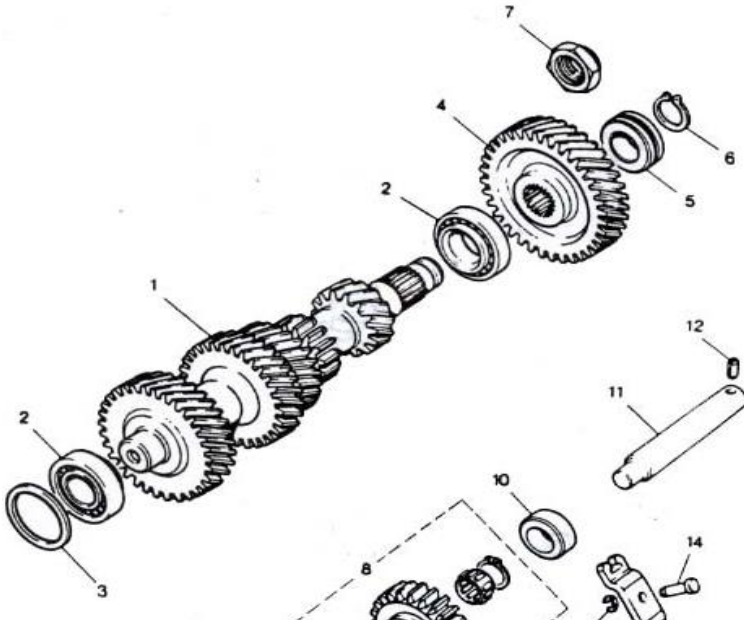
RES. NO	PARÇA NO	NATO STOK NO	MALZEMENİN ADI	MALZEMENİN YABANCI ADI	KOMP. MİK.	DAĞ. BİRİMİ
22	FRC5235		Senkromet Dayama Sacı	Plate Support	1	ADET
23			SAC DAYAMA PULU	WASHER SUPPORT PLATE	1	ADET
	FRC5284		5.10mm	5.10mm	1	ADET
	FRC5286		5.16mm	5.16mm	1	ADET
	FRC5288		5.22mm	5.22mm	1	ADET
	FRC5290		5.28mm	5.28mm	1	ADET
	FRC5292		5.34mm	5.34mm	1	ADET
	FRC5294		5.40mm	5.40mm	1	ADET
	FRC5296		5.46mm	5.46mm	1	ADET
	FRC5298		5.52mm	5.52mm	1	ADET
	FRC5300		5.58mm	5.58mm	1	ADET
	FRC5302		5.64mm	5.64mm	1	ADET
24	FRC9526		Segman-Kamalı Mil	Circlip-Mainshaft	1	ADET
25	RTC2914		Rulman	Bearing	1	ADET
26	FRC9812		Segman	Circlip	1	ADET



NOT:1990 ve daha sonraki model araçlar için geçerlidir.  
 NOT1:1990 Model yılı araçlar için.  
 NOT2:1991 Model yılı araçlardan itibaren kullanılacaktır.  
 NOT3:Gerektiği kadar

### LAND ROVER 110 YEDEK PARÇALARI

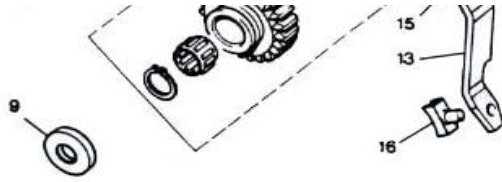
#### ŞANZIMAN-GRUP MİLİ-4 SİLİNDİR



### 3-16

### ŞANZIMAN VE DEBRİYAJ KUMANDALARI GEARBOX AND CLUTCH RELEASE

RES. NO	PARÇA NO	NATO STOK NO	MALZEMENİN ADI	MALZEMENİN YABANCI ADI	KOMP. Mik.	DAĞ. Birimi
1	FRC8141	2520-99-256-2938	Grup Komple	Layshaft Cluster Assy	1	ADET
2	ULC1796L	3110-99-805-1543	Grup Bilyası	Bearing-Layshaft	2	ADET
3			AYAR PULU-GRUP	SELECTIVE WASHER LAYSHAFT	1	ADET
	TKC4633	3120-99-792-0725	1.69mm	1.69mm	1	ADET
	TKC4635	3120-99-792-0726	1.75mm	1.75mm	1	ADET
	TKC4637	3120-99-792-0727	1.81mm	1.81mm	1	ADET
	TKC4639	5365-99-792-0728	1.87mm	1.87mm	1	ADET
	TKC4641	3120-99-792-0729	1.93mm	1.93mm	1	ADET
	TKC4643	5365-99-792-0730	1.99mm	1.99mm	1	ADET
	TKC4645	3120-99-792-0731	2.05mm	2.05mm	1	ADET
	TKC4647	5365-99-792-0732	2.11mm	2.11mm	1	ADET
	TKC4649	3120-99-792-0733	2.17mm	2.17mm	1	ADET
	TKC4651	3120-99-792-0734	2.23mm	2.23mm	1	ADET
	TKC4653	3120-99-792-0735	2.29mm	2.29mm	1	ADET
	TKC4655	5365-99-792-0736	2.35mm	2.35mm	1	ADET
	TKC4657	3120-99-792-0737	2.41mm	2.41mm	1	ADET
	TKC4659	3120-99-792-0738	2.47mm	2.47mm	1	ADET
	TKC4661	5365-99-792-0739	2.53mm	2.53mm	1	ADET
	TKC4663	5365-99-792-0740	2.59mm	2.59mm	1	ADET
4	FRC5162	3020-99-722-9963	Grup-5.Vites Dişlisi	Layshaft Gear-5th Speed	1	ADET
5	UKC1689L	5365-99-792-0769	Pul-5.Vites Dişlisi	Washer-5 Speed	1	ADET
6	UKC1690L	5365-99-792-0770	Segman-Dişliyi Mile	Circlip-Gear/Layshaft	1	ADET
7	FRC7214	5310-99-722-9964	Somun-5.Vites Dişlisi Tespit	Nut-Fixing 5th Gear to Layshaft	1	ADET



8	FRC8285	3020-99-253-3954	Geri Vites Avara Dişlisi Komple	Gear Assy-Reverse Idler	1	ADET
9	FRC4947	2520-99-792-0754	Geri Vites Avarası Mesafe Pulu	Spacer Reverse Idler Shaft Frt	1	ADET
10	FRC5186	5365-99-792-0752	Geri Vites Avarası Mesafe Pulu	Spacer Reverse Idler Shaft Rear	1	ADET
11	FRC5095	2520-99-792-0750	Geri Vites Avara Dişli Mili	Shaft-Reverse Idler	1	ADET
12	UKC18L		Avara Mili Tespit Pimi	Roll Pin-Reverse Idler	1	ADET

NOT:1988 ve daha önceki model araçlar için geçerlidir.  
NOT1:Gereken kalınlıktaki parça kullanılmalıdır.

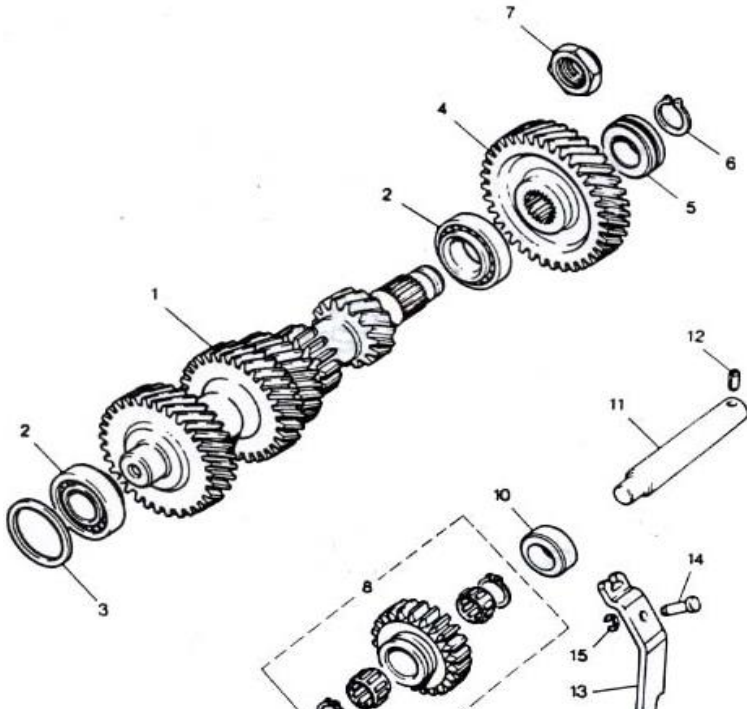
## LAND ROVER 110 YEDEK PARÇALARI

3-17

## ŞANZİMAN VE DEBRİYAJ KUMANDALARI GEARBOX AND CLUTCH RELEASE

### ŞANZİMAN-GRUP MİLİ-4 SİLİNDİR

RES. NO	PARÇA NO	NATO STOK NO	MALZEMENİN ADI	MALZEMENİN YABANCI ADI	KOMP. MİK.	DAG. BİRİMİ
13	FRC8246	3040-99-253-3952	Geri Vites Manivelası	Lever-Reverse Operating	1	ADET
14	FRC8382	5315-99-641-6921	Manivela Pimi	Pilot-Reverse Lever	1	ADET
15	13H2023L		Manivela Pim Segmani	Circlip-Pin to Mounting Pin	1	ADET
16	FRC8384	3040-99-253-3950	Çatal Kızağı	Slipper Pad-Reverse Gear	1	ADET





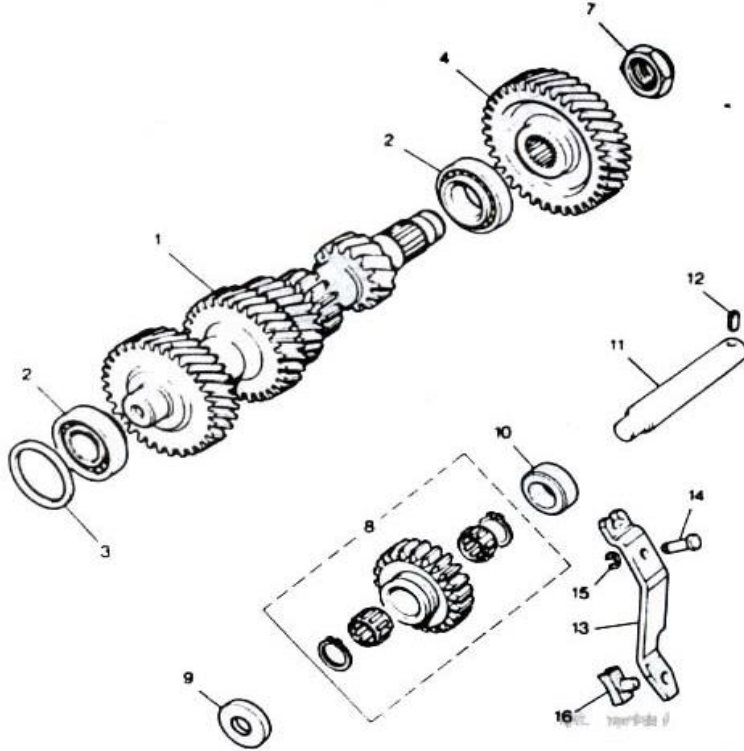
NOT:1988 ve daha önceki Model araçlar için geçerlidir.  
NOT1:Gereken kalınlıktaki parça kullanılmalıdır.

## LAND ROVER 110 YEDEK PARÇALARI

3-18

## ŞANZİMAN VE DEBRİYAJ KUMANDALARI GEARBOX AND CLUTCH RELEASE

### ŞANZİMAN-GRUP MİLİ-4 SİLİNDİR GEARBOX-LAYSHAFT-4 CYLINDER



RES. NO	PARÇA NO	NATO STOK NO	MALZEMENİN ADI	MALZEMENİN YABANCI ADI	KOMP. MIK.	DAĞ. BİRİMİ
1	FRC9761		Grup Komple			ADET
	FTC1416	3040-99-979-0932	Grup Komple	Layshaft Cluster Assy	1	ADET
2	FTC248	3110-99-348-9319	Grup Bilyası-Ön	Bearing-Layshaft-Front	1	ADET
	FTC317	3110-99-951-5843	Grup Bilyası-Arka	Bearing-Layshaft-Rear	1	ADET
3			Ayar Pulu Grup	Selective Washer Layshaft	1	ADET
	FTC263	3120-99-192-0635	1.39mm	1.39mm	1	ADET
	FTC265	3120-99-192-0636	1.45mm	1.45mm	1	ADET
	FTC267	3120-99-219-7413	1.51mm	1.51mm	1	ADET
	FTC269	3120-99-641-6920	1.57mm	1.57mm	1	ADET
	FTC271	3120-99-350-5273	1.63mm	1.63mm	1	ADET
	FTC273	3120-99-100-8316	1.69mm	1.69mm	1	ADET
	FTC275	3120-99-573-0756	1.75mm	1.75mm	1	ADET
	FTC277	3120-99-865-3931	1.81mm	1.81mm	1	ADET
	FTC279	3120-99-720-7205	1.87mm	1.87mm	1	ADET
	FTC281	3120-99-463-3233	1.93mm	1.93mm	1	ADET
	FTC283	3120-99-611-3523	1.99mm	1.99mm	1	ADET
	FTC285	3120-99-885-0617	2.05mm	2.05mm	1	ADET
	FTC287	3120-99-654-6453	2.11mm	2.11mm	1	ADET
	FTC289	3120-99-116-6382	2.17mm	2.17mm	1	ADET
	FTC291	3120-99-710-6476	2.23mm	2.23mm	1	ADET
	FTC293	3120-99-399-7507	2.29mm	2.29mm	1	ADET
	FTC295	3120-99-105-5568	2.35mm	2.35mm	1	ADET

NOT:1989 ve daha sonraki Model Araçlar için geçerlidir.  
NOT1:1990 Model Yılı araçlar için geçerlidir.

NOT1:1990 model yılı araçlar için geçerlidir.  
NOT2:Gereken kalınlıktaki parça kullanılmalıdır.

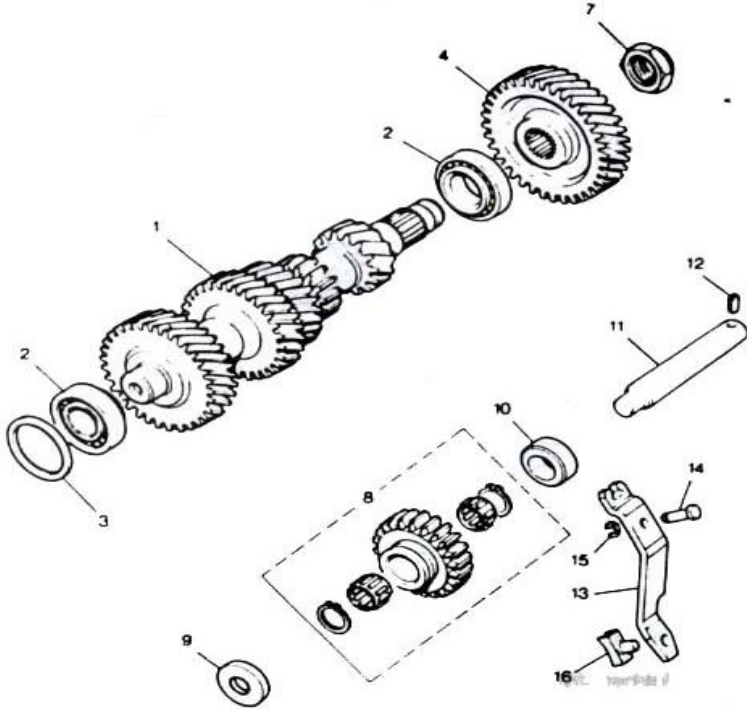
## LAND ROVER 110 YEDEK PARÇALARI

3-19

## ŞANZIMAN VE DEBRİYAJ KUMANDALARI GEARBOX AND CLUTCH RELEASE

### ŞANZIMAN-GRUP MİLİ-4 SİLİNDİR

RES. NO	PARÇA NO	NATO STOK NO	MALZEMENİN ADI	MALZEMENİN YABANCI ADI	KOMP. Mik.	DAĞ. BİRİMİ
4	FRC9758	3020-99-700-5864	Grup-5.Vites Dişlisi	Layshaft Gear-5th Speed		ADET
	FTC419	2520-99-126-3435	Grup-5.Vites Dişlisi	Layshaft Gear-5th Speed	1	ADET
7	FRC7214	5310-99-722-9964	Somun-5.Vites Dişlisi Tespit	Nut-Fixing 5th Gear to Layshaft	1	ADET
8	FRC8285	3020-99-253-3954	Geri Vites Avara Dişlisi Komple	Gear Assy-Reverse Idler	1	ADET
9	FRC4947	2520-99-792-0754	Geri Vites Avarası Mesafe Pulu	Spacer Reverse Idler Shaft Frt.	1	ADET
10	FRC5186	5365-99-792-0752	Geri Vites Avarası Mesafe Pulu	Spacer Reverse Idler Shaft Rear	1	ADET
11	FRC5095	2520-99-792-0750	Geri Vites Avara Dişli Mili	Shaft-Reverse Idler	1	ADET
12	UKC18L		Avara Mili Tespit Pimi	Roll Pin-Reverse Idler	1	ADET
13	FRC8246	3040-99-253-3952	Geri Vites Manivelası	Lever-Reverse Operating	1	ADET
14	FRC8382	5315-99-641-6921	Manivela Pimi	Pilot-Reverse Lever	1	ADET
15	13H2023L		Manivela Pim Segmanı	Circlip-Pin to Mounting Pin	1	ADET
16	FTC1435	2520-99-967-5713	Çatal Kızağı	Slipper Pad-Reverse Gear	1	ADET



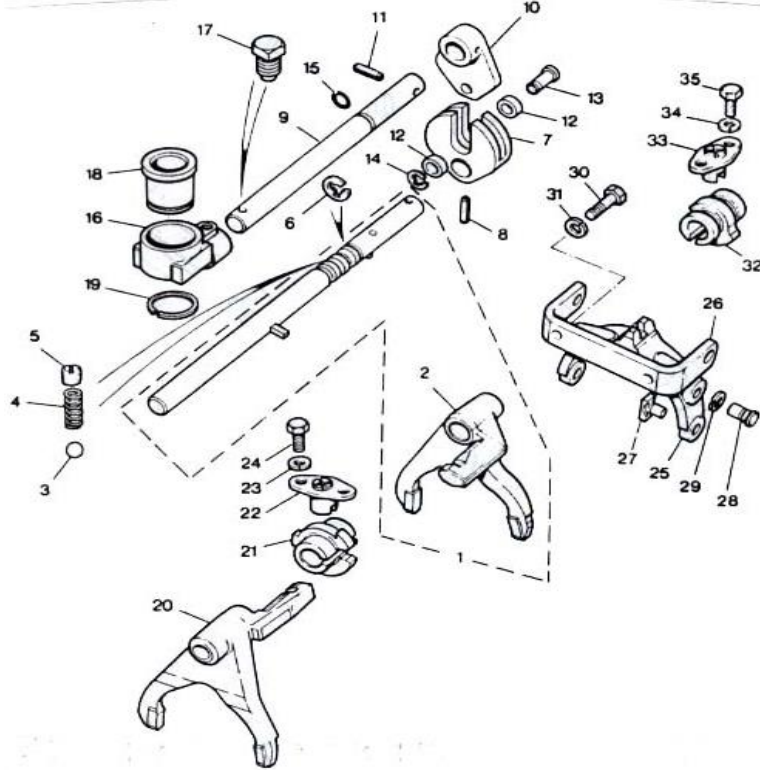
NOT:1989 ve daha sonraki Model Araçlar için geçerlidir.  
NOT1:1990 Model yılı araçlar için geçerlidir.  
NOT2:Gereken kalınlıktaki parça kullanılmalıdır.

## LAND ROVER 110 YEDEK PARÇALARI

3-20

## ŞANZIMAN VE DEBRİYAJ KUMANDALARI GEARBOX AND CLUTCH RELEASE

**ŞANZİMAN-VİTES ÇUBUKLARI VE ÇATALLAR-4  
SİLİNDİR  
GEARBOX-SELECTORS AND SHAFT-4 CYLINDER**



RES. NO	PARÇA NO	NATO STOK NO	MALZEMENİN ADI	MALZEMENİN YABANCI ADI	KOMP. MİK.	DAG. BİRİMİ
1	FTC1814		VİTES ÇUBUĞU-1./2.VİTES ÇATALI KOMPLE	SHAFT ASSY-C/W SESLC.FORK 1ST/2ND GEAR	1	ADET
1	FTC1765		VİTES ÇUBUĞU-1./2.VİTES ÇATALI KOMPLE	SHAFT ASSY-C/W SESLC.FORK 1ST/2ND GEAR	1	ADET
2	FTC1490	2520-99-513-2944	Vites Çatalı-1./2.Vites	Fork Selector-1st/2nd Gear	1	ADET
	FTC2450		Vites Çatalı-1./2.Vites	Fork Selector-1st/2nd Gear	1	ADET
3	BLS112L	3110-99-736-4740	Kilit Bilyası	Ball Detent	1	ADET
4	FRC7195	5360-99-792-0787	Kilit Bilya Yayı	Spring-Detent	1	ADET
	FTC2195	5360-99-870-6606	Kilit Bilya Yayı	Spring-Detent	1	ADET
5	UKC75L	2520-99-792-0788	Kilit Yayı Tapası	Plug-Spring Shaft	1	ADET
	FTC2193	5365-99-795-3856	Tapası	Plug	1	ADET
6	UKC73L	5365-99-914-2006	Vites Çubuk Segmanı	Circlip-Selector Shaft	1	ADET
7	FRC7330	2520-99-792-0761	Vites Çubuk Oturağı	Quadrant-Main Selector Shaft	1	ADET
8	FRC7332	5315-99-977-0915	Kasık Yaylı Pimi	Spring-Pin-Quadrant to Shaft	1	ADET
9	FRC7334	2520-99-792-0790	Çapa Mili	Shaft Selector	1	ADET
10	FRC7333	2520-99-792-0796	Çapa	Quadrant-Remote Selector Shaft	1	ADET
11	FRC7335	5315-99-792-0800	Yaylı Pim-Çapada	Spring-Pin-Quadrant to Shaft	1	ADET
12	FRC4435	2520-99-792-0798	Bilezik-Çapa Mili	Roller-Quadrant Shaft	2	ADET
13	FRC4434	5315-99-792-0797	Bilezik Malafası	Shaft-Quadrant Shaft	1	ADET
14	CR120105L	5365-99-942-5709	Bilezik Malafa Segmanı	Circlip-Quadrant Shaft	1	ADET
15	FRC4951	5330-99-538-7773	'O'Ring-Çapa Mili	'O'Ring-Remote Selector Shaft	1	ADET

NOT1:1990 ve daha önceki Model Araçlar için geçerlidir.  
NOT2:1990 Model yılı araçlardan itibaren kullanılacaktır.  
NOT3:1991 Model yılı araçlardan itibaren kullanılacaktır.  
NOT4:Ağustos 1987'ye kadar.  
NOT5:Ağustos 1987'den itibaren.ş

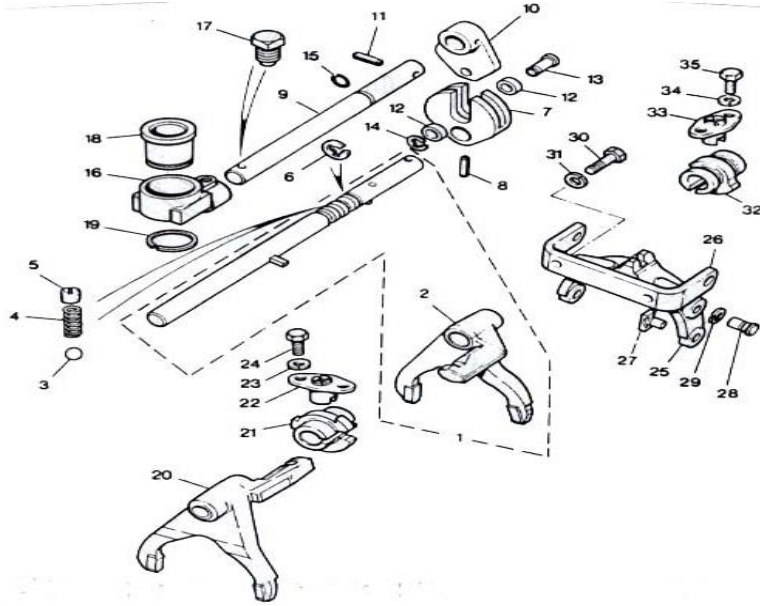
**LAND ROVER 110 YEDEK PARÇALARI**

**3-21**

**ŞANZİMAN VE DEBRİYAJ KUMANDALARI  
GEARBOX AND CLUTCH RELEASE**

**ŞANZİMAN-VİTES ÇUBUKLARI VE ÇATALLAR-4  
SİLİNDİR  
GEARBOX-SELECTORS AND SHAFT-4 CYLINDER**

RES. NO	PARÇA NO	NATO STOK NO	MALZEMENİN ADI	MALZEMENİN YABANCI ADI	KOMP. MİK.	DAG. BİRİMİ
16	FRC5864	2520-99-792-0791	Çanak-Vites Kolunu Çapa Miline	Yoke-Shaft to Gear Level	1	ADET
17	FRC7018	5305-99-792-0794	Civata	Screw	1	ADET

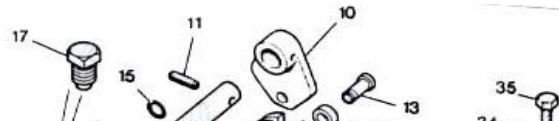


18	FRC5859	5365-99-792-0792	Fiber Yatak-Vites Kolu Muylusu	Seat-Ball End	1	ADET
19	CR120335L	5365-99-792-0793	Fiber Yatak Segmanı	Circlip-Seat to Yoke	1	ADET
20	FTC1489	2520-99-256-4630	3./4. Vites Çatalı	Fork-Selector-3rd/4th Gear	1	ADET
21	TKC290	2520-99-792-0758	Vites Boş Konum Dili	Spool-Interlock-1st/2nd/3rd/4th	1	ADET
	FRC8239	2520-99-787-5429	Tutucu Boş Konum Dili	Spool-Interlock-Retainer	1	ADET
	FRC8170	5330-99-787-5430	'O'Ring-Boş Konum Tutucu	'O'Ring-Interlock Retainer	1	ADET
	FS106161	5305-99-122-5360	Vida	Screw	2	ADET
22	UKC3660L	2520-99-792-0785	Boş Konum Kilidi ve Plakası	Plate Assembly-Interlock Attach	1	ADET
	FRC8239	2520-99-787-5429	Boş Konum Kilidi ve Plakası	Plate Assembly-Interlock Attach	1	ADET
	FRC8170	5330-99-787-5430	O Ring	O Ring	1	ADET
23	11000-80301-AA	5310-27-006-2927	Yaylı Rondela	Spring Washer	2	ADET
24	11000-80007-AA	5306-27-006-2699	Boş Konum Kilit Plakası Saplama	Screw Interlock/Blanking Plate	2	ADET
25	TKC2596	2520-99-905-4523	5.Vites Çatalı	Selector Fork-5th Gear	1	ADET
26	UKC3115	2520-99-810-0460	Destek Braketi-5.Vites Çatalı	Support Bracket-5th Speed Fork	1	ADET
27	532943	2520-99-792-0766	5.Vites Çatal Kızağı	Pad-Selector-5th Gear Fork	2	ADET
28	UKC2089L	5315-99-792-0764	5.Vites Çatal Pimi	Pin-Pivot 5th Gear Fork	2	ADET
29	UKC2105L	5365-99-194-6958	Pim Segmanı	Circlip-Pivot Pin Locating	2	ADET

NOT1:1990 ve daha önceki Model Araçlar için geçerlidir.  
 NOT2:1990 Model yılı araçlardan itibaren kullanılacaktır.  
 NOT3:1991 Model Yılı araçlardan itibaren kullanılacaktır.  
 NOT4:Ağustos 1987'ye kadar.  
 NOT5:Ağustos 1987'den itibaren

### LAND ROVER 110 YEDEK PARÇALARI

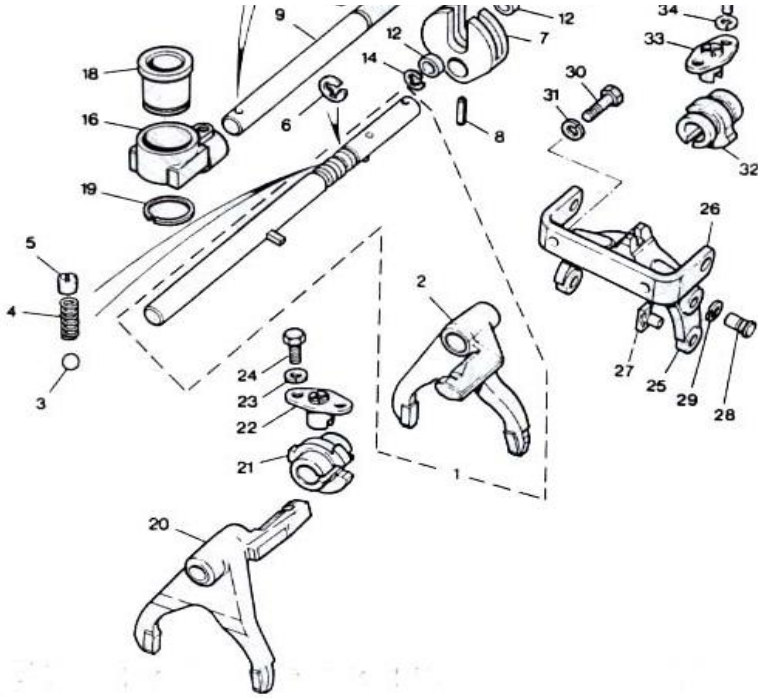
### ŞANZİMAN-VİTES ÇUBUKLARI VE ÇATALLAR-4 SİLİNDİR GEARBOX-SELECTORS AND SHAFT-4 CYLINDER



### ŞANZİMAN VE DEBRİYAJ KUMANDALARI GEARBOX AND CLUTCH RELEASE

RES. NO	PARÇA NO	NATO STOK NO	MALZEMENİN ADI	MALZEMENİN YABANCI ADI	KOMP. MİK.	DAĞ. BİRİMİ
30	11000-80017-AA	5306-27-006-2704	Çatal Ayağı Saplaması	Screw-Support Bracket to Fork (SH108251	2	ADET
31	11000-80302-AA	5310-27-006-2928	Yaylı Rondela	Washer Spring	2	ADET
	11000-80324-AA	5310-99-122-6475	Düz Pul	Plain Washer	2	ADET
32	FRC7192	2520-99-792-0760	5.Vites Boş Konum Dili	Spool-Interlock-5th Gear	1	ADET
33	FRC4905	2520-99-792-0786	Boş Konum Kilidi-5. Vites	Plate Assembly-Interlock	1	ADET
	FRC8240		Boş Konum Kilidi-5. Vites	Plate Assembly-Interlock	1	ADET
34	11000-80301-AA	5310-27-006-2927	Yaylı Rondela	Spring Washer	2	ADET
	11000-80351-AA	5310-27-006-2934	Düz Pul	Plain Washer	2	ADET
35	11000-80007-AA	5306-27-006-2699	Kilit Plakası Saplaması	Screw Interlock Plate	2	ADET
	71A00-80008-AA	5306-27-006-2713	Civata	Bolt	2	ADET

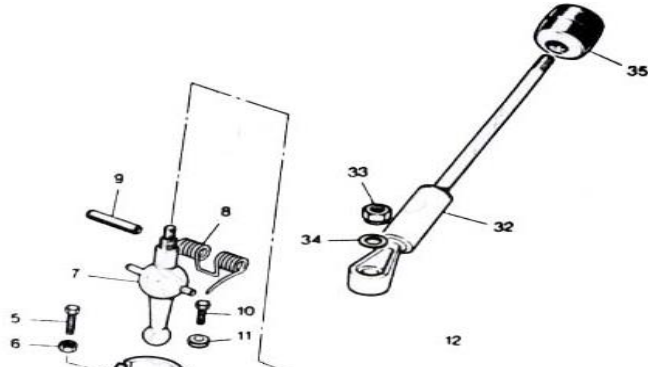




NOT1:1990 ve daha önceki Model Araçlar için geçerlidir.  
 NOT2:1990 Model Yılı araçlardan itibaren kullanılacaktır.  
 NOT3:1991 Model Yılı araçlardan itibaren kullanılacaktır.  
 NOT4:Ağustos 1987'ye kadar.  
 NOT5:Ağustos 1987'den itibaren

### LAND ROVER 110 YEDEK PARÇALARI

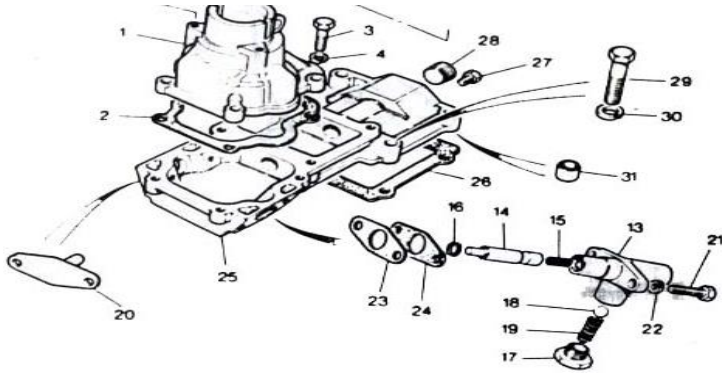
#### ŞANZIMAN-VİTES KOLU-4 SİLİNDİR



3-23

### ŞANZIMAN VE DEBRİYAJ KUMANDALARI GEARBOX AND CLUTCH RELEASE

RES. NO	PARÇA NO	NATO STOK NO	MALZEMENİN ADI	MALZEMENİN YABANCI ADI	KOMP. MİK.	DAG. BİRİMİ
1	FRC7155	2520-99-792-0812	Vites Kulesi	Housing-Gear Level	1	ADET
2	FRC4490	5330-99-920-9281	Kule Contası	Joint Washer-Housing	1	ADET
3	11000-80020-AA	5305-99-122-5253	Kule Saplaması	Bolt-Housing to Rem.Housing (SH108301)	4	ADET
4	11000-80302-AA	5310-27-006-2928	Yaylı Rondela	Spring Washer	4	ADET
5	11000-80008-AA	5306-27-006-2700	Civata	Bolt (SH106201)	2	ADET
6	71A00-80201-AA	5310-27-006-2772	Somun	Nut (NH106041)	2	ADET
7	FRC8724	2520-99-792-0813	VİTES KOLU MUYLU TAKIMI	GEAR LEVER LOWER ASSEMBLY	1	ADET
	UKC3092	5315-99-254-7721	Muylu Pimi	Pin-Gear Lever-Locating	2	ADET
	22G1988L	5340-99-254-7792	Muylu Mekiği	Plunger-Lower Gear Lever	1	ADET
	22G1989L	5360-99-254-7793	Geri Getiren Yay	Spring-Lower Gear Lever	1	ADET
8	FRC7414	5360-99-792-0815	Burulma Yay-Boş Konum	Spring-Torsion	1	ADET
9	PA120801L	5315-99-874-3016	Burulma Yay Pimi	Spring Pin	1	ADET
10	FS106161	5305-99-122-5360	Kelepçe Vidası	Set Screw-Clamping Plate (SH106161)	1	ADET



11	FRC7886	2520-99-723-3376	Kelepçe Saplama Pulu	Clamping Plate-Damping Washer	1	ADET
12	FRC7160	2540-99-723-4286	Toz Lastiği	Grommet-Gear Level	1	ADET
	AFU4173	5340-99-728-1611	Şerit Kelepçe	Tie-Securing Grommet	1	ADET
			Gerı Vites Mekik Takımı	PLUNGER UNIT- REVERSE BAULK	0	ADET
13	FRC6316	2520-99-792-8061	Mekik Kovanı	Housing-Plunger Unit	1	ADET
14	FRC8119	2520-99-723-2532	Mekik-Gerı Vites	Plunger-Reverse Baulk	1	ADET
15	FRC6318	5360-99-792-0805	Yay-Mekik Gerı Getiren	Spring-Plunger Return	1	ADET
16	FRC5596	5365-99-792-0807	Yay Tutucu	Spring Clip	1	ADET

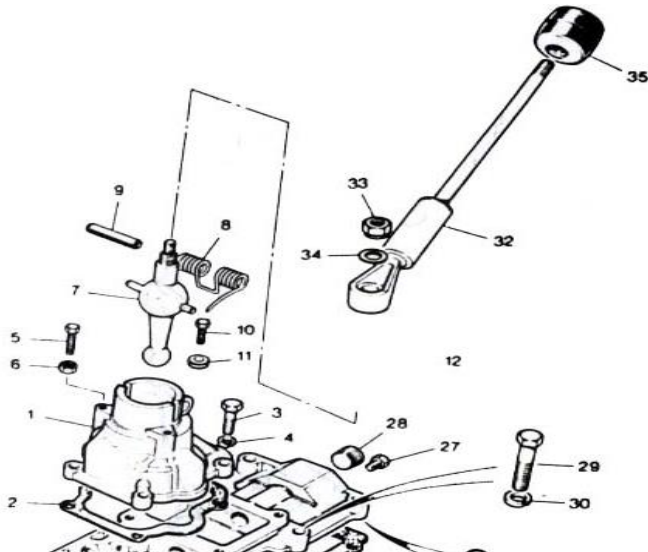
NOT1:Gereğince kullanılmalıdır.

NOT2:Bu parça FTC503 deęiştirilirken kullanılmayacaktır.

NOT3:Bu parça FTC503 ile birlikte sipariř edilmelidir.

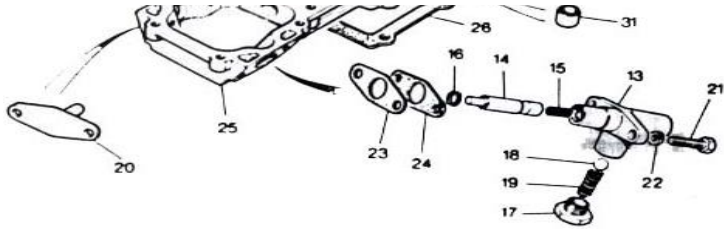
## LAND ROVER 110 YEDEK PARÇALARI

### ŞANZİMAN-VİTES KOLU-4 SİLİNDİR



## ŞANZİMAN VE DEBRİYAJ KUMANDALARI GEARBOX AND CLUTCH RELEASE

RES. NO	PARÇA NO	NATO STOK NO	MALZEMENİN ADI	MALZEMENİN YABANCI ADI	KOMP. MİK.	DAĞ. BİRİMİ
17	FRC8773	5310-99-701-1074	Kilit Tapası-Ayar Yay	Adjustable Plug-Detent Spring	1	ADET
	FRC8120	5365-99-723-2533	Kilitli Tapa	Lock Nut Plug	1	ADET
18	571146	3110-99-718-1217	Kilit Bilyası	Ball-Detent	1	ADET
19	571439	5360-99-828-0896	Kilit Yay	Spring-Detent	1	ADET
20	FRC7313	2520-99-792-8060	5. Vites İstinadi	Fifth Gear Stop Assembly	1	ADET
21	11000-80017-AA	5306-27-006-2704	Civata	Screw (SH108251)	4	ADET
22	11000-80302-AA	5310-27-006-2928	Yaylı Rondela	Spring Washer	4	ADET
23	FRC6317	2520-99-792-0809	Ara Parça	Spacer-Plunger Housing	1	ADET
24	FRC7362	2520-99-792-0808	Ara Parça	Spacer-Plunger Housing	1	ADET
25	FTC503		Muhafaza	Housing	1	ADET
	597586	5340-99-824-7854	Pul	Cup Plug	1	ADET
	GS110501	5305-99-789-8136	Uç Vidası	Grub Screw	1	ADET
	FN110041	5310-99-122-5297	Somun	Nut	1	ADET
26	FRC4489	5330-99-792-0810	Conta	Joint Washer-Housing to Extensi	1	ADET
27	SH506031	5305-99-120-8913	Kör Tapa	Screw-Blanking	1	ADET
28	608246	4730-99-823-7480	Doldurma Tapası	Plug-Oil Filler-Housing	1	ADET
29	12A00-80073-AA	5305-99-122-5254	Civata-Kovandan 5. Vites Kutusu	Bolt-Housing to Extension Case	3	ADET
	14A00-80003-AA	5305-99-122-5257	Civata	Bolt (BH108111)	1	ADET
30	11000-80302-AA	5310-27-006-2928	Yaylı Rondela	Spring Washer	3	ADET
31	FRC2626	2520-99-792-8059	Yaylı Pim	Spring-Pin	2	ADET
32	FRC7493	2520-99-771-6970	Vites Kolu	Gear Level Assembly	1	ADET



33	12B00-80224-AA	5310-27-006-2760	Kol Tespit Somunu	Nut-Gear Lever Assembly (NY110041)	1	ADET
34	71A00-80327-AA	5310-99-122-6476	Kol Tespit Pulu	Washer-Gear Lever Assembly (WA110061)	1	ADET
35	FRC8722	2520-99-729-2981	Topuz-Vites Kolu	Knob-Gear Level	1	ADET

NOT1:Gereğince kullanılmalıdır.  
 NOT2:Bu parça FTC503 değiştirilirken kullanılmayacaktır.  
 NOT3:Bu parça FTC503 ile birlikte sipariş edilmelidir.

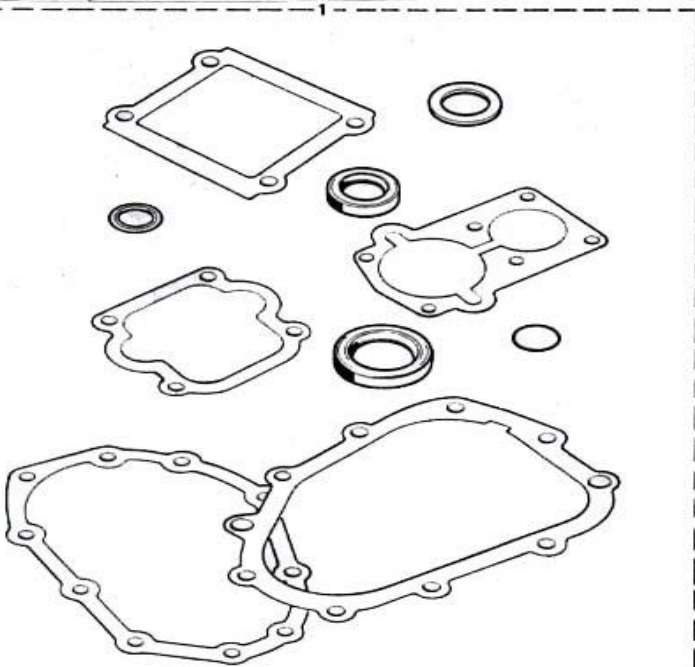
### LAND ROVER 110 YEDEK PARÇALARI

3-25

### ŞANZİMAN VE DEBRİYAJ KUMANDALARI GEARBOX AND CLUTCH RELEASE

### ŞANZİMAN-CONTA VE KEÇE TAKIMI-4 SİLİNDİR GEARBOX-GASKET AND SEAL KIT-4 CYLINDER

RES. NO	PARÇA NO	NATO STOK NO	MALZEMENİN ADI	MALZEMENİN YABANCI ADI	KOMP. Mik.	DAĞ. BİRİMİ
1	RTC6797	5330-99-362-6859	CONTA VE KEÇE TAKIMI	GASKET AND SEAL KIT	1	ADET
	FRC7064	5330-99-792-0653	Boşaltma Tapası Plulu	Joint Washer-Drain Plug	1	ADET
	TKC1229	5330-99-792-0657	Conta-Kutu ile Yatak Kapağı Arasında	Gasket-Gearcase to Centre Plate	1	ADET
	TKC1235	5330-99-792-0744	Conta-Yatak Kapağı ile 5.Vites Arası	Gasket-Centre Plate Extn Hsg.	1	ADET
	FRC4810	5330-99-762-8209	Tapa Pulu	Joint Washer Plug	1	ADET
	FRC2365	5330-99-792-0781	5.Vites Kovanı Yağ Keçesi	Oil Seal-Extensoin Case	1	ADET
	FRC4501	5330-99-538-3600	Kece Burcu-O'Ringi	O'Ring-Oil Seal Coller	1	ADET
	UKC1060	5330-99-829-9860	Ön Kapak Yağ Keçesi	Oil Seal Front Cover	1	ADET
	FRC4873	5330-99-792-0660	Conta-On Kapak ile Kutu Arası	Gasket-Frt.Cover to Gearcase	1	ADET
	FTC316		Conta-On Kapak ile Kutu Arası	Gasket-Frt.Cover to Gearcase	1	ADET
	FRC4490	5330-99-920-9281	Conta-Kovan	Joint Washer-Housing	1	ADET
	FRC4489	5330-99-792-0810	Conta-Kaplin Kovani ile 5.Vites Arası	Joint Washer Housing to Extn.	1	ADET



NOT1:1988 Model yılına kadar.  
NOT2:1989 Model yılından sonra.

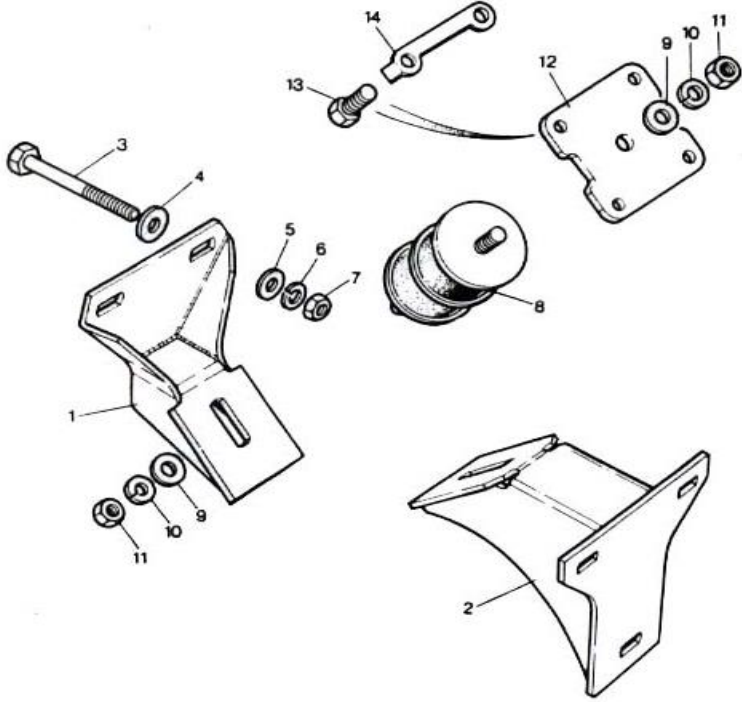
## LAND ROVER 110 YEDEK PARÇALARI

3-26

## ŞANZIMAN VE DEBRİYAJ KUMANDALARI GEARBOX AND CLUTCH RELEASE

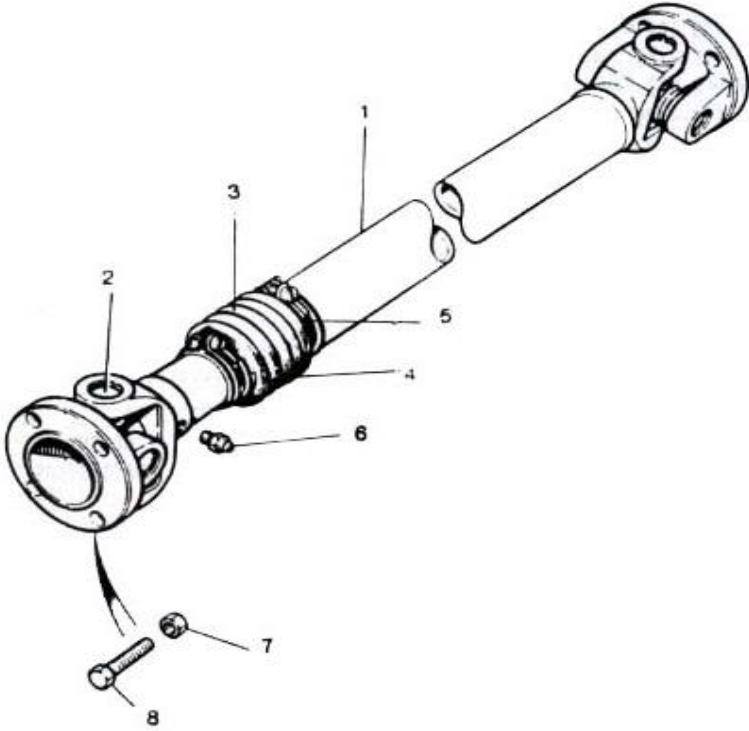
### ŞANZIMAN-BAĞLANTILAR-4 SİLİNDİR

RES. NO	PARÇA NO	NATO STOK NO	MALZEMENİN ADI	MALZEMENİN YABANCI ADI	KOMP. MİK.	DAG. BİRİMİ
1	NRC5742-L	2520-99-256-2934	Bağlantı Braketi-Sağ	Mounting Bracket-RH	1	ADET
2	NRC5743-LD	2520-99-256-2933	Bağlantı Braketi-Sol	Mounting Bracket-LH	1	ADET
3	11000-80029-AA	5306-27-006-2682	Civata	Bolt (BH108201)	6	ADET
4	WP185L	5310-99-136-5496	Pul	Washer	6	ADET
5	11000-80324-AA	5310-99-122-6475	Pul	Plain Washer	6	ADET
6	11000-80302-AA	5310-27-006-2928	Yaylı Rondela	Spring Washer	6	ADET
7	71A00-80203-AA	5310-27-006-2774	Somun	Nut (NH108041)	6	ADET
8	NRC9560-L	5340-99-729-2347	Kauçuk Takoz	Mounting Rubber	2	ADET
9	11000-80327-AA	5310-99-122-6476	Pul	Plain Washer	4	ADET
10	11000-80303-AA	5310-27-006-2929	Yaylı Rondela	Spring Washer	4	ADET
11	12B07-80207-AA	5310-27-006-2770	Fiberli Somun	Nyloc Nut (NH110041)	4	ADET
12	NRC8204-LD	2590-99-254-7535	Bağlantı Plakası	Mounting Plate	2	ADET
13	14C01-80109-AA	5305-99-122-6674	Vida	Screw (SH112201)	8	ADET
14	NRC9561-LD	5340-99-776-9072	Pul	Tab Washer	4	ADET



**LAND ROVER 110 YEDEK PARÇALARI****4-1****AKSLAR VE SÜSPANSİYON-AXLES AND SUSPENSION****ÖN KARDAN MİLİ-4 SİLİNDİR  
FRONT PROPSHAFT-4 CYLINDER**

RES. NO	PARÇA NO	NATO STOK NO	MALZEMENİN ADI	MALZEMENİN YABANCI ADI	KOMP. MİK.	DAG. BİRİMİ
1	FRC8390-L	2520-99-739-7633	Ön Kardan Mili	Front Propshaft	1	ADET
2	71A00-30010-AC	2520-27-006-5718	İstavroz Mafsal Komple	Universal Joint	2	ADET
3	71A00-30011-AB		Lastik Körük	Grommet Assembly	1	ADET
4	71A00-30012-AB		Kelepçe-Körük	Clip-Grommet	1	ADET
5	71A00-30013-AB		Kelepçe-Körük	Clip-Grommet	1	ADET
6	71A00-30014-AB	4930-27-006-8284	Gresörlük	Grease Nipple	1	ADET
7	NZ606041L	5310-99-122-4812	Somun	Nut	8	ADET
8	509045P	5306-99-755-7762	Civata	Bolt	4	ADET



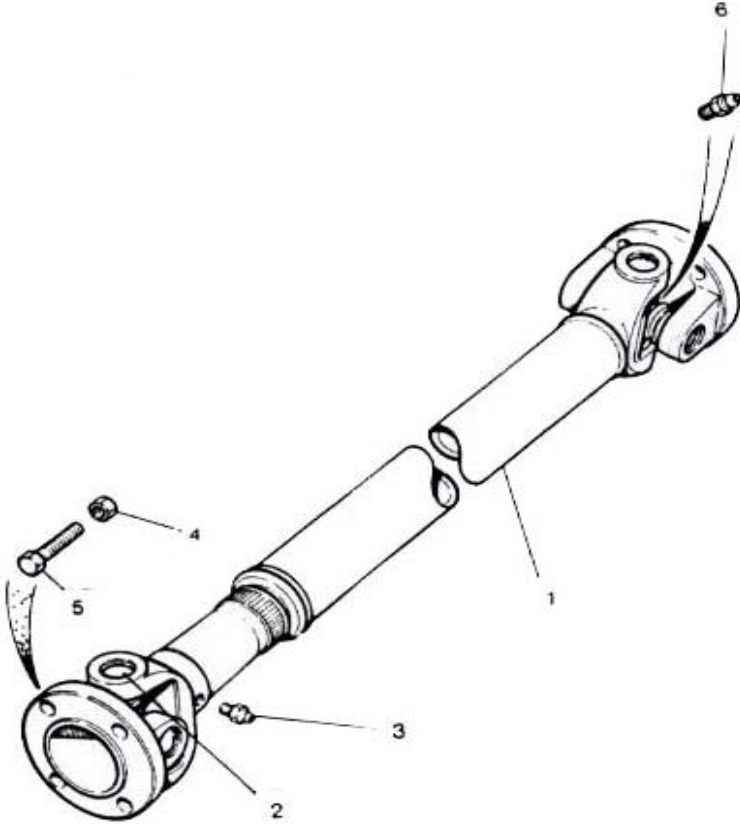
## LAND ROVER 110 YEDEK PARÇALARI

4-2

## AKSLAR VE SÜSPANSİYON-AXLES AND SUSPENSION

## ARKA KARDAN MİLİ-4 SİLİNDİR

RES. NO	PARÇA NO	NATO STOK NO	MALZEMENİN ADI	MALZEMENİN YABANCI ADI	KOMP. Mik.	DAĞ. BİRİMİ
1	FRC8391-L	2520-99-739-7634	Arka Kardan Mili	Rear Propshaft	1	ADET
	FTC3245	2520-99-004-1109	Arka Kardan Mili	Rear Propshaft	1	ADET
2	71A00-30010-AC	2520-27-006-5718	İstavroz Mafsal Komple	Üniversal Joint	2	ADET
3	71A00-30014-AB	4930-27-006-8284	Gresörlük	Grease Nipple	1	ADET
4	NZ606041L	5310-99-122-4812	Somun	Nut	8	ADET
5	509045P	5306-99-755-7762	Cıvata	Bolt	4	ADET



NOT1:Şasi No KA925786'ya kadar.  
NOT2:Şasi No KA925787'den itibaren

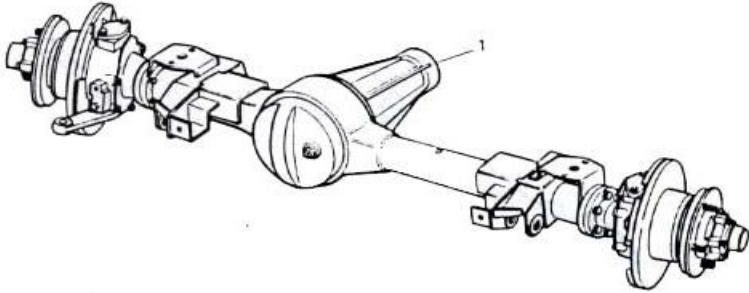
## LAND ROVER 110 YEDEK PARÇALARI

4-3

## AKSLAR VE SÜSPANSİYON-AXLES AND SUSPENSION

## ÖN DİNGİL-KOMPLE

RES. NO	PARÇA NO	NATO STOK NO	MALZEMENİN ADI	MALZEMENİN YABANCI ADI	KOMP. MİK.	DAG. BİRİMİ
1	FRC8783	2520-99-733-0745	Ön Dingil Komple	Front Axle Complete	1	ADET
	FTC3680		Ön Dingil Komple	Front Axle Complete	1	ADET



NOT1:Şasi No LA930434'e kadar.  
NOT2:Şasi No LA930435'en itibaren

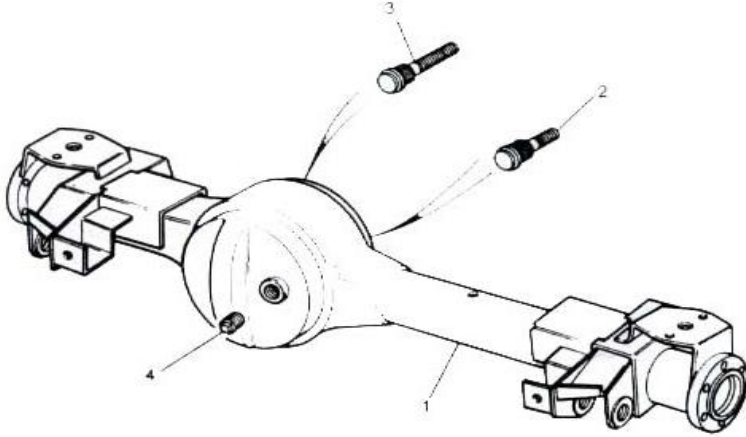
## LAND ROVER 110 YEDEK PARÇALARI

4-4

## AKSLAR VE SÜSPANSİYON-AXLES AND SUSPENSION

## ÖN AKS-KOVAN

RES. NO	PARÇA NO	NATO STOK NO	MALZEMENİN ADI	MALZEMENİN YABANCI ADI	KOMP. MİK.	DAĞ. BİRİMİ
1	FRC4307	2530-99-797-7018	On Kovan ve Saplama Komle	Axle Case And Stud Assy	1	ADET
	FRC3681		On Kovan ve Saplama Komle	Axle Case And Stud Assy	1	ADET
2	561195	2530-99-806-7851	Saplama	Stud	4	ADET
3	561196	2530-99-810-2125	Saplama	Stud	6	ADET
4	608246	4730-99-823-7480	Boşaltma/Doldurma Tapası	Filler/Drain Plug	2	ADET



NOT1:Şasi No LA930434'e kadar.  
NOT2:Şasi No LA930435'en itibaren

## LAND ROVER 110 YEDEK PARÇALARI

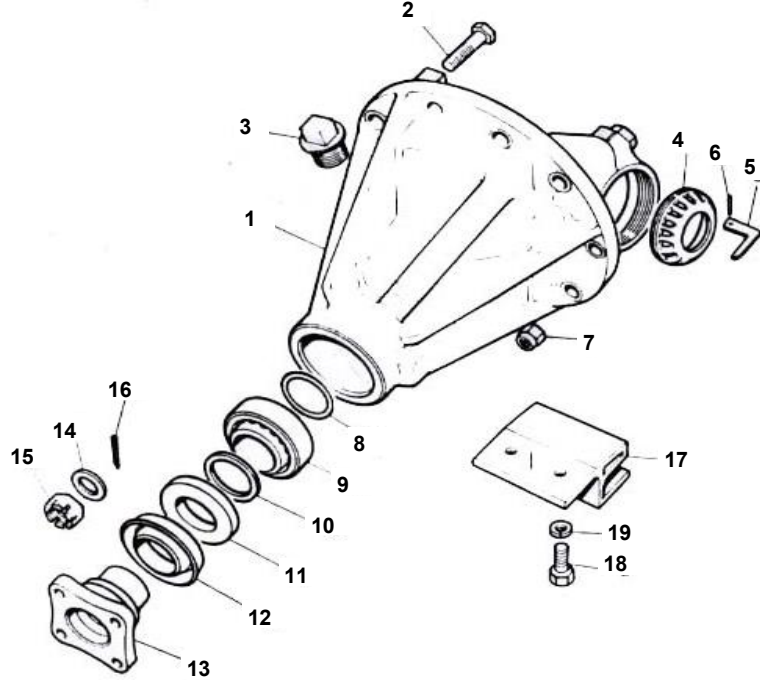
4-5

## AKSLAR VE SÜSPANSİYON-AXLES AND SUSPENSION

## ÖN DİNGİL-DİFFERANSİYEL

RES. NO	PARÇA NO	NATO STOK NO	MALZEMENİN ADI	MALZEMENİN YABANCI ADI	KOMP. MİK.	DAĞ. BİRİMİ
1	FRC8521	2520-99-729-3007	Diferansiyel Komle	Differential Assy	1	ADET





	FTC782N		Diferansiyel Komple	Differential Assy	1	ADET
	FTC2750	2520-99-373-9606	Diferansiyel Komple	DIFFERENTIAL ASSEMBLY	1	ADET
	FRC5690	2530-99-797-7019	Diferansiyel Armudu	Pinion Housing	1	ADET
2	11000-80054-AA	5306-99-122-2796	Takım Saplama	Set Bolt (BH11201)	4	ADET
3	608246	4730-99-823-7480	Doldurma Tapası	Filler Plug	1	ADET
4	FRC5204	2520-99-792-6565	Kilitleme Somunu	Locking Ring	2	ADET
5	FRC5661	5340-99-797-7020	Kilit Dili	Locking Tab	2	ADET
6	576159	5315-99-277-6327	Yaylı Pim	Spring Pin	2	ADET
7	NY606041L	5310-99-943-4299	Taçlı Somun	Nut Nyloc	10	ADET
8			Sim	Shim	1	ADET
	FRC1193	5365-99-828-8904	0.060"	0.060"	2	ADET
	FRC1195	5365-99-828-8905	0.062"	0.062"	2	ADET
	FRC1197	5365-99-828-8906	0.064"	0.064"	2	ADET
	FRC1199	5365-99-828-8907	0.066"	0.066"	2	ADET
	FRC1201	5365-99-828-8908	0.068"	0.068"	2	ADET
	FRC1203	5365-99-828-8909	0.070"	0.070"	2	ADET
	539718	5365-99-874-0263	0.072"	0.072"	2	ADET
	539720	5365-99-874-0257	0.074"	0.074"	2	ADET
	539722	5365-99-874-0258	0.076"	0.076"	2	ADET
	539724	5365-99-874-0264	0.078"	0.078"	2	ADET

NOT:Şasi No 930434'e kadar  
 NOT1:Komple yenilemede FTC782 Diferansiyel kullanılmalıdır.  
 NOT2:Şasi No JA917433'e kadar.  
 NOT3:Şasi No JA917434'ten itibaren .  
 NOT4:Gereken kalınlıktaki sim kullanılmalıdır.

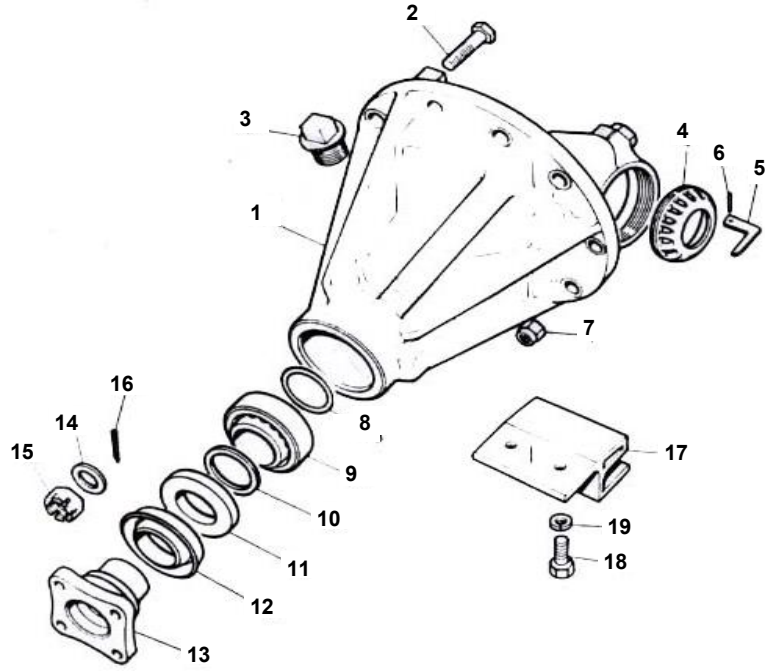
## LAND ROVER 110 YEDEK PARÇALARI

### ÖN DİNGİL-DİFFERANSİYEL

4-6

## AKSLAR VE SÜSPANSİYON-AXLES AND SUSPENSION

RES. NO	PARÇA NO	NATO STOK NO	MALZEMENİN ADI	MALZEMENİN YABANCI ADI	KOMP. MİK.	DAĞ. BİRİMİ
9	539707	3110-99-824-9348	Mahruti Diş Bilyası	Pinion Bearing Outer	1	ADET
10	539745	5365-99-874-0267	Mesafe Pulu	Spacer	1	ADET
11	FRC8220	5330-99-729-3008	Yağ Keçesi	Oil Seal	1	ADET
12	FRC8154	2520-99-729-3009	Çamur Kalkanı	Mudshield	1	ADET



13	236632	2520-99-849-9111	Flanş	Flange	1	ADET
	FRC3002	2520-66-128-5718	Flanş	Flange	1	ADET
14	90513454		Pul	Plain Washer	1	ADET
15	3259	5310-99-849-8716	Yarık Somun	Castle Nut	1	ADET
16	PS608101L	5315-99-446-0495	Kopilya	Split Pin	1	ADET
17	NRC9713-LD	2590-99-777-5294	Braket-Uzun Rot Koruma	Bracket-Track Rod Protection	1	ADET
18	SH406061L	5306-99-121-0166	Civata	Bolt	2	ADET
19	71A00-80353-AA	5310-27-006-2932	Yaylı Rondela	Spring Washer	2	ADET

NOT:Şasi No LA930434'e kadar.  
 NOT1:FRC8521 Diferansiyel komple de kullanılmalıdır.  
 NOT2:FTC782N Diferansiyel komplede kullanılmalıdır.

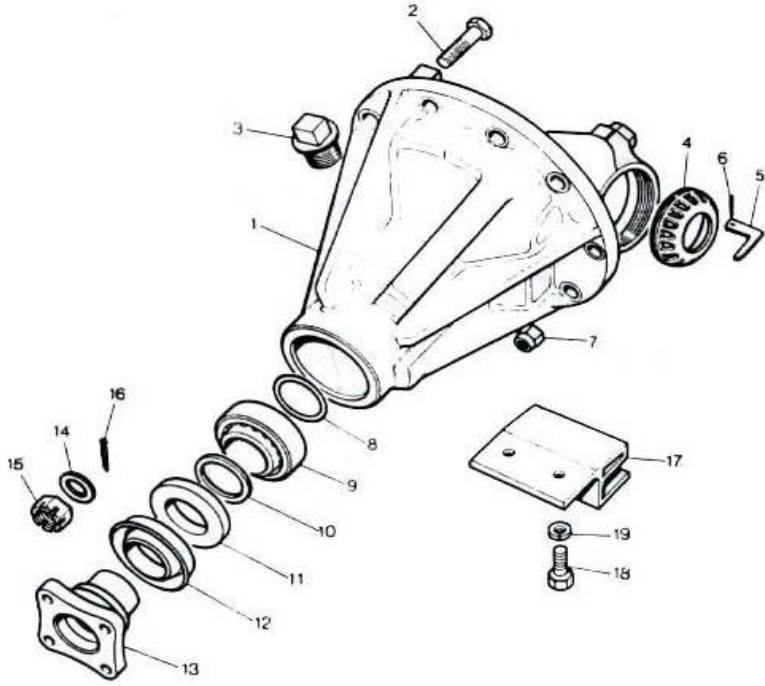
### LAND ROVER 110 YEDEK PARÇALARI

4-7

### AKSLAR VE SÜSPANSİYON-AXLES AND SUSPENSION

### ÖN DİNGİL-DİFFERANSİYEL

RES. NO	PARÇA NO	NATO STOK NO	MALZEMENİN ADI	MALZEMENİN YABANCI ADI	KOMP. MİK.	DAG. BİRİMİ
1	FTC2750	2520-99-373-9606	DİFFERANSİYEL KOMPLE	DIFFERANTIAL ASSEMBLY	1	ADET
	FTC3272	2520-99-517-1867	DİFFERANSİYEL KOMPLE	DIFFERANTIAL ASSEMBLY	1	ADET
	FRC5690	2530-99-797-7019	Diferansiyel Armudu	Pinion Housing	1	ADET
2	11000-80054-AA	5306-99-122-2796	Takım Saplama	Set Bolt (BH11201)	4	ADET
3	608246	4730-99-823-7480	Doldurma Tapası	Filler Plug	1	ADET



4	FRC5204	2520-99-792-6565	Kilitleme Pimi	Locking Ring	2	ADET
5	FRC5661	5340-99-797-7020	Kilit Dili	Locking Tab	2	ADET
6	576159	5315-12-126-6724	Yaylı Pim	Spring Pin	2	ADET
7	NY606041L	5310-99-943-4299	Taçlı Somun	Nut Nyloc	10	ADET
8			Sim	Shim	1	ADET
	FRC1193	5365-99-828-8904	0.060"	0.060"	2	ADET
	FRC1195	5365-99-828-8905	0.062"	0.062"	2	ADET
	FRC1197	5365-99-828-8906	0.064"	0.064"	2	ADET
	FRC1199	5365-99-828-8907	0.066"	0.066"	2	ADET
	FRC1201	5365-99-828-8908	0.068"	0.068"	2	ADET
	FRC1203	5365-99-828-8909	0.070"	0.070"	2	ADET
	539718	5365-99-874-0263	0.072"	0.072"	2	ADET
	539720	5365-99-874-0257	0.074"	0.074"	2	ADET
	539722	5365-99-874-0258	0.076"	0.076"	2	ADET
	539724	5365-99-874-0264	0.078"	0.078"	2	ADET

NOT:Şasi No LA930435'ten itibaren  
 NOT1:FTC2750 Diferansiyel komple de kullanılmalıdır.  
 NOT2:FTC3272 Diferansiyel komplede kullanılmalıdır.

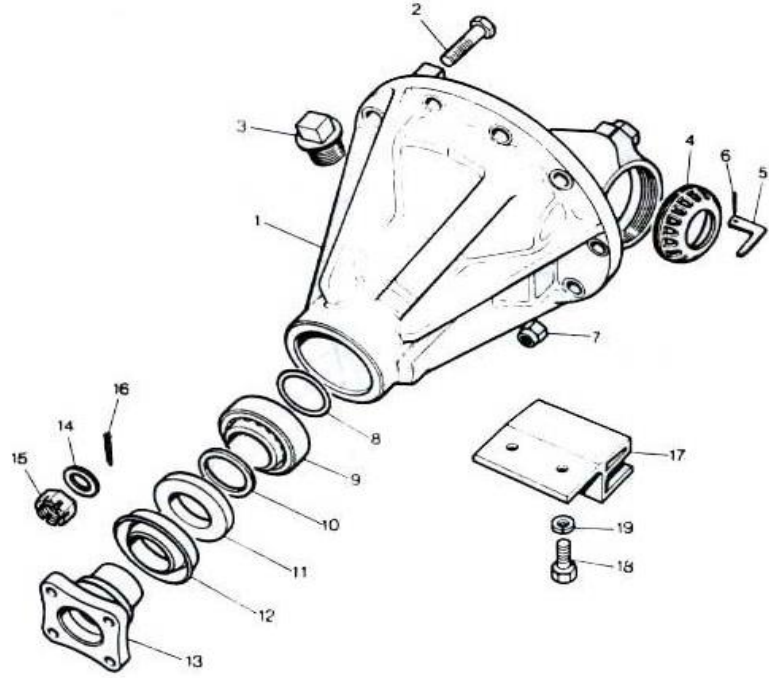
## LAND ROVER 110 YEDEK PARÇALARI

4-8

## AKSLAR VE SÜSPANSİYON-AXLES AND SUSPENSION

### ÖN DİNGİL-DİFFERANSİYEL FRONT AXLE-DIFFERENTIAL

RES. NO	PARÇA NO	NATO STOK NO	MALZEMENİN ADI	MALZEMENİN YABANCI ADI	KOMP. MİK.	DAĞ. BİRİMİ
9	539707	3110-99-824-9348	Mahruti Dış Bilyası	Pinion Bearing Outer	1	ADET
10	539745	5365-99-874-0267	Mesafe Pulu	Spacer	1	ADET
11	FRC8220	5330-99-729-3008	Yağ Keçesi	Oil Seal	1	ADET
12	FRC8154	2520-99-729-3009	Çamur Kalkanı	Mudshield	1	ADET
13	FRC3002	2520-66-128-5718	Flanş	Flange	1	ADET
14	9051354		Pul	Plain Washer	1	ADET
15	3259	5310-99-849-8716	Yarıklı Somun	Castle Nut	1	ADET
	71A00-80299-AA	5310-27-006-2939	Somun	Nut (NY116041)	1	ADET
16	PS608101L	5315-99-446-0495	Kupilya	Split Pin	1	ADET



17	NRC9713-LD	2590-99-777-5294	Braket-Uzun Rot Koruma	Bracket-Track Rod Protection	1	ADET
18	SH406061L	5306-99-121-0166	Civata	Bolt	2	ADET
19	71A00-80353-AA	5310-27-006-2932	Yaylı Rondela	Spring Washer	2	ADET

NOT:Şasi No LA930435'ten itibaren.  
 NOT1:FTC2750 Diferansiyel Komplexinde Kullanılacaktır.  
 NOT2:FTC3272 Diferansiyel Komplexinde Kullanılacaktır  
 NOT3:FTC3272 Diferansiyel kompleksi ile Kullanılmayacaktır.

## LAND ROVER 110 YEDEK PARÇALARI

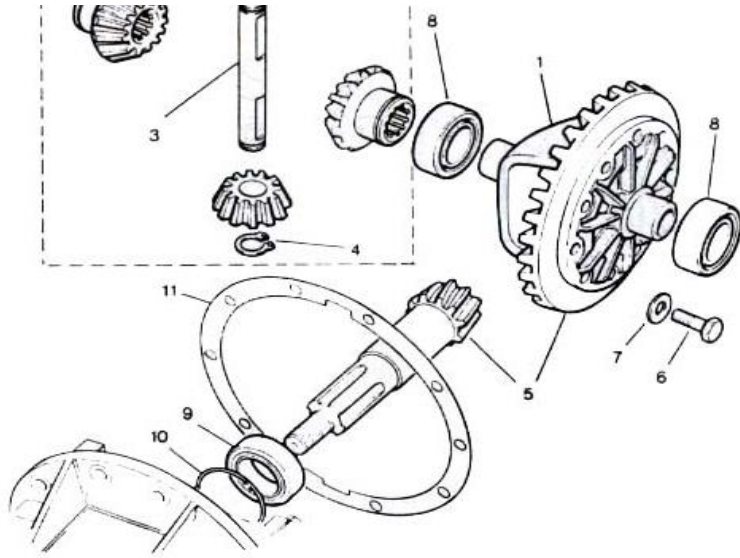
4-9

## AKSLAR VE SÜSPANSİYON-AXLES AND SUSPENSION

### ÖN DİNGİL-DİFFERANSİYEL

RES. NO	PARÇA NO	NATO STOK NO	MALZEMENİN ADI	MALZEMENİN YABANCI ADI	KOMP. MİK.	DAĞ. BİRİMİ
1	FRC2933	2520-99-792-6566	Diferansiyel Kutusu	Differential Case	1	ADET
2	RTC4486	3020-99-729-3010	Diferansiyel Dişli Takımı		1	ADET
3	599945	3040-99-824-3931	İstavroz Mili	Differential Gear Kit	1	ADET
4	CCN110L	5365-99-788-7621	Segman	Circlip	2	ADET
5	594493	3020-99-825-2172	Ayna ve Mahruti	Crownwheel and Pinion	1	ADET
	FTC781	3020-66-128-8430	Ayna ve Mahruti	Crownwheel and Pinion	1	ADET
6	593692	5306-99-137-9302	Civata	Bolt	10	ADET
7	593693	5310-99-137-3594	Düz Pul	Differential Bearing	10	ADET
8	RTC2726	3110-99-203-7861	Diferansiyel Bilyası	Differential Bearing	2	ADET
9	539706	3110-66-139-0026	Mahruti İç Bilyası	Pinion Bearing	1	ADET
10			Şım	Şım		
	549230	5365-99-820-9896	0.038"	0.038"	1	ADET





	549232	5365-99-820-9898	0.040"	0.040"	1	ADET
	549234	5365-99-821-0065	0.042"	0.042"	1	ADET
	549236	5365-99-821-0067	0.044"	0.044"	1	ADET
	549238	5365-99-821-0069	0.046"	0.046"	1	ADET
	549240	5365-99-821-0071	0.048"	0.048"	1	ADET
	549242	5365-99-821-0073	0.050"	0.050"	1	ADET
	549244	5365-99-821-0075	0.052"	0.052"	1	ADET
	549246	5365-99-821-0077	0.054"	0.054"	1	ADET
	549248	5365-99-821-0079	0.056"	0.056"	1	ADET
	549250	5365-99-821-0081	0.058"	0.058"	1	ADET
	549252	5365-99-821-0083	0.060"	0.060"	1	ADET
	576236	5365-99-821-0085	0.062"	0.062"	1	ADET
	576237	5365-99-821-0086	0.063"	0.063"	1	ADET
	576238	5365-99-821-0087	0.064"	0.064"	1	ADET
	576239	5365-99-821-0088	0.065"	0.065"	1	ADET
11	7316	2520-99-849-8749	Conta	Joint Washer	1	ADET

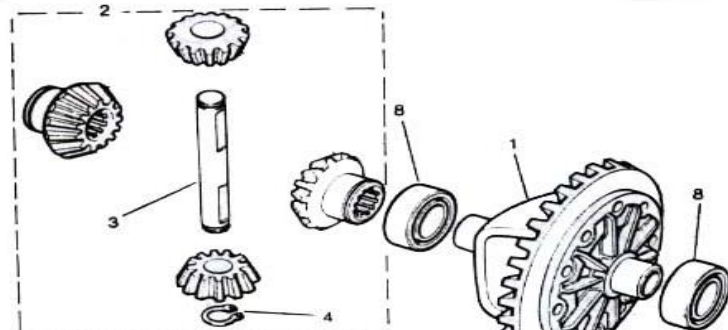
NOT:Şasi No 930434'e kadar.  
 NOT1:FRC8521 Diferansiyel Komplexinde Kullanılmaldır  
 NOT2:FTC782N Diferansiyel Komplexinde Kullanılmaldır.  
 NOT3:Gereken kalınlıkta sim kullanılmaldır..

## LAND ROVER 110 YEDEK PARÇALARI

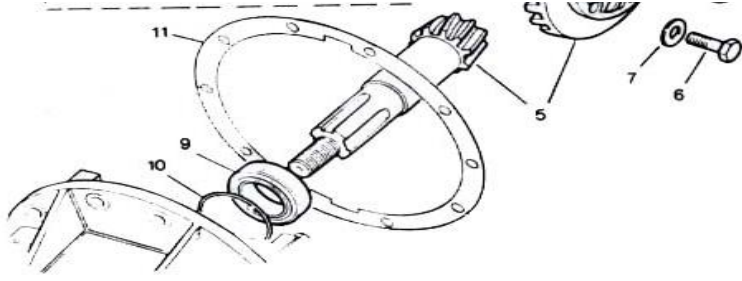
### ÖN DİNGİL-DİFFERANSİYEL

### 4-10

### AKSLAR VE SÜSPANSİYON-AXLES AND SUSPENSION



RES. NO	PARÇA NO	NATO STOK NO	MALZEMENİN ADI	MALZEMENİN YABANCI ADI	KOMP. MİK.	DAĞ. BİRİMİ
1	FRC2933	2520-99-792-6566	Diferansiyel Kutusu	Differential Case	1	ADET
	FTC3269	2520-99-595-4483	Diferansiyel Kutusu	Differential Case	1	ADET
2	STC851	3020-99-729-3010	Diferansiyel Dişli Takımı	Differential Gear Kit	1	ADET
	FTC3267	3020-99-422-8665	Diferansiyel Dişlisi	Wheel Differential	2	ADET
	FTC3268	3020-99-864-6669	Diferansiyel Dişlisi	Pinion Differential	2	ADET
3	599945	3040-99-824-3931	İstavroz Mili	Cross Shaft	1	ADET
4	CCN110L	5365-99-788-7621	Segman	Circlip	2	ADET
5	FTC781	3020-66-128-8430	Ayna ve Mahruti	Crownwheel and Pinion	1	ADET
	FTC3620	3020-99-417-1070	Ayna ve Mahruti	Crownwheel and Pinion	1	ADET
6	593692	5306-99-137-9302	Civata	Bolt	10	ADET
	FTC3586		Civata	Bolt	10	ADET
7	593693	5310-99-137-3594	Pul	Plain Washer	10	ADET
8	RTC2726	3110-99-203-7861	Diferansiyel Bilyası	Differential Bearing	2	ADET
9	539706	3110-66-139-0026	Mahruti İç Bilyası	Pinion Bearing	1	ADET
10			Sim	Shim		ADET
	549230	5365-99-820-9896	0.038"	0.038"	1	ADET



549232	5365-99-820-9898	0.040"	0.040"	1	ADET
549234	5365-99-821-0065	0.042"	0.042"	1	ADET
549236	5365-99-821-0067	0.044"	0.044"	1	ADET
549238	5365-99-821-0069	0.046"	0.046"	1	ADET
549240	5365-99-821-0071	0.048"	0.048"	1	ADET
549242	5365-99-821-0073	0.050"	0.050"	1	ADET

NOT:Şasi No LA930435'ten itibaren geçerlidir.  
 NOT1:FTC2750 Diferansiyel Komplede Kullanılmalıdır  
 NOT2:FTC3272 Diferansiyel Komplede Kullanılmalıdır.  
 NOT3:Gereken kalınlıkta sim kullanılmalıdır..

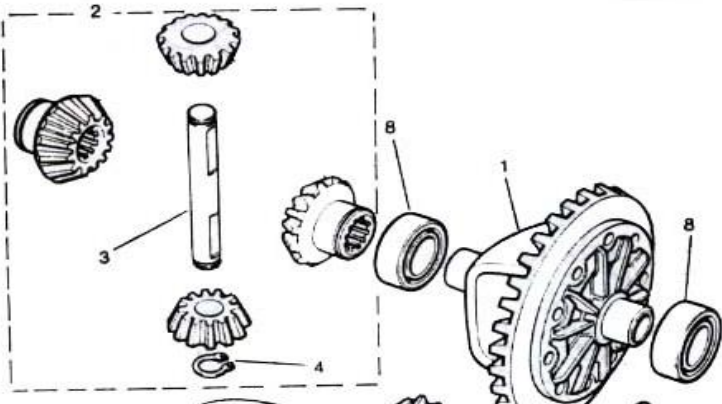
## LAND ROVER 110 YEDEK PARÇALARI

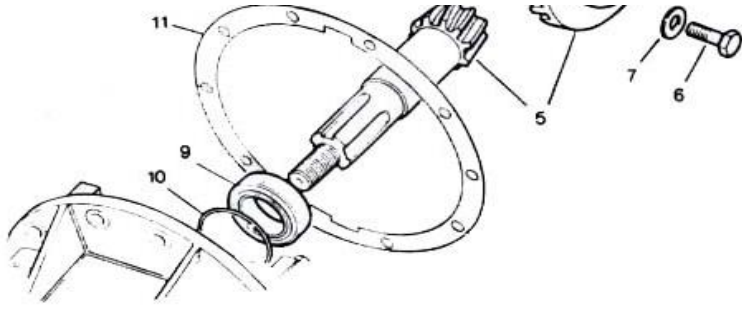
4-11

## AKSLAR VE SÜSPANSİYON-AXLES AND SUSPENSION

### ÖN DİNGİL-DİFFERANSİYEL FRONT AXLE-DIFFERENTIAL

RES. NO	PARÇA NO	NATO STOK NO	MALZEMENİN ADI	MALZEMENİN YABANCI ADI	KOMP. MİK.	DAĞ. BİRİMİ
	549244	5365-99-821-0075	0.052"	0.052"	1	ADET
	549246	5365-99-821-0077	0.054"	0.054"	1	ADET
	549248	5365-99-821-0079	0.056"	0.056"	1	ADET
	549250	5365-99-821-0081	0.058"	0.058"	1	ADET
	576236	5365-99-821-0085	0.062"	0.062"	1	ADET
	576237	5365-99-821-0086	0.063"	0.063"	1	ADET
	576238	5365-99-821-0087	0.064"	0.064"	1	ADET
	576239	5365-99-821-0088	0.065"	0.065"	1	ADET





NOT:Şasi No LA930435'ten itibaren geçerlidir.  
 NOT1:FTC2750 Diferansiyel Komplede Kullanılmalıdır  
 NOT2:FTC3272 Diferansiyel Komplede Kullanılmalıdır.  
 NOT3:Gereken kalınlıkta sim kullanılmalıdır..

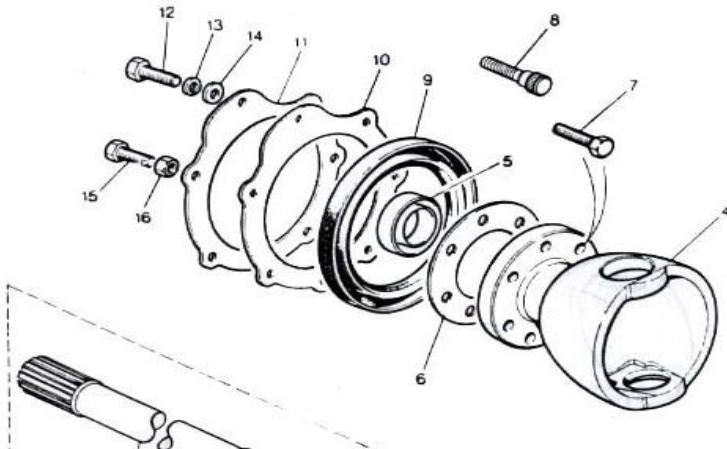
## LAND ROVER 110 YEDEK PARÇALARI

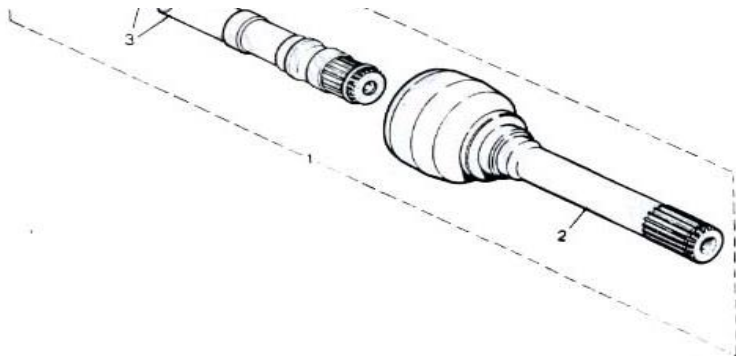
4-12

## AKSLAR VE SÜSPANSİYON-AXLES AND SUSPENSION

### ÖN DİNGİL-AKS MİLİ VE MAFSAL-KOMPLE FRONT AXLE-SHAFT AND CV JOIN ASSEMBLY

RES. NO	PARÇA NO	NATO STOK NO	MALZEMENİN ADI	MALZEMENİN YABANCI ADI	KOMP. MİK.	DAĞ. BİRİMİ
1	FRC3890	2530-99-797-7022	Aks Mili ve Mafsal Komple Sağ	Shaft And Cv Joint Assy-RH	1	ADET
	FRC3891	2520-99-788-7775	Aks Mili ve Mafsal Komple Sol	Shaft And Cv Joint Assy-LH	1	ADET
	FTC1332	2520-99-324-9823	Aks Mili ve Mafsal Komple Sağ	Shaft And Cv Joint Assy-RH	1	ADET
	FTC1333	2520-99-513-2901	Aks Mili ve Mafsal Komple Sol	Shaft And Cv Joint Assy-LH	1	ADET
2	AEU2522	2530-99-797-7024	Mafsal	Cv Joint	2	ADET
	RTC6862	2520-99-219-5927	Mafsal	Cv Joint	2	ADET
3	AEU2520	2530-99-797-7025	Aks,Sağ	Shaft RH	1	ADET
	AEU2521	2530-99-797-7026	Aks,Sol	Shaft LH	1	ADET
	RTC6754	2520-99-553-2637	Aks,Sağ	Shaft RH	1	ADET
	RTC6755	2520-66-141-6065	Aks,Sol	Shaft LH	1	ADET
4	FTC254	2520-99-957-5514	Mesafe Parçası	Spacer	2	ADET
	RTC5841	5365-99-147-2829	Mesafe Parçası	Spacer	2	ADET
5	RTC4820		Bilezik	Circlip	2	ADET
6	FRC2644	2530-99-797-7027	Tas Başı	S.P.Bearling Housing	2	ADET
9	571718	5330-99-824-9715	Yağ Keçesi		2	ADET
8	FRC2349	5330-99-797-7031	Conta	Joint Washer	2	ADET
7	FRC8528	5306-99-785-8996	Saplama,Kovanı Aks Kutusuna Bağlar		12	ADET
10	FTC1916	5306-99-037-0315	Özel Civata	Dowel Bolt	2	ADET
	FRC8530	5310-99-785-8997	Rondela	Washer	14	ADET





11	FRC2889	5330-99-356-7398	Yağ Keçesi	Oil Seal	2	ADET
	FTC3401	5330-99-797-7028	Yağ Keçesi	Oil Seal	2	ADET
12	FRC4206	5330-99-797-7029	Conta	Joint Washer	2	ADET
13	FRC4142	2530-99-797-7030	Kaplama Sacı	Retaining Plate	2	ADET
14	11000-80006-AA	5305-99-122-5359	Saplama-Sacı Kovana Bağlar	Bolt-Plate to Housing	14	ADET
15	11000-80301-AA	5310-27-006-2927	Yaylı Rondela	Spring Washer	14	ADET
16	11000-80351-AA	5310-27-006-2934	Düz Pul	Plain Washer	14	ADET
17	AFU1234	5306-99-734-5819	İstinat Pimi	Lock Stop Bolt	2	ADET
18	71A00-80255-AA	5310-27-006-2779	Kontra Somunu	Lock Nut	2	ADET

NOT:Şasi No LA930434'e kadar.  
 NOT1:Aks seri no 21L33355'e kadar.  
 NOT2:Aks seri no 21L33356'dan sonra  
 NOT3:Aks seri no 21L55147C'ye kadar.  
 NOT4:Aks seri no 21L55148C'den itibaren.

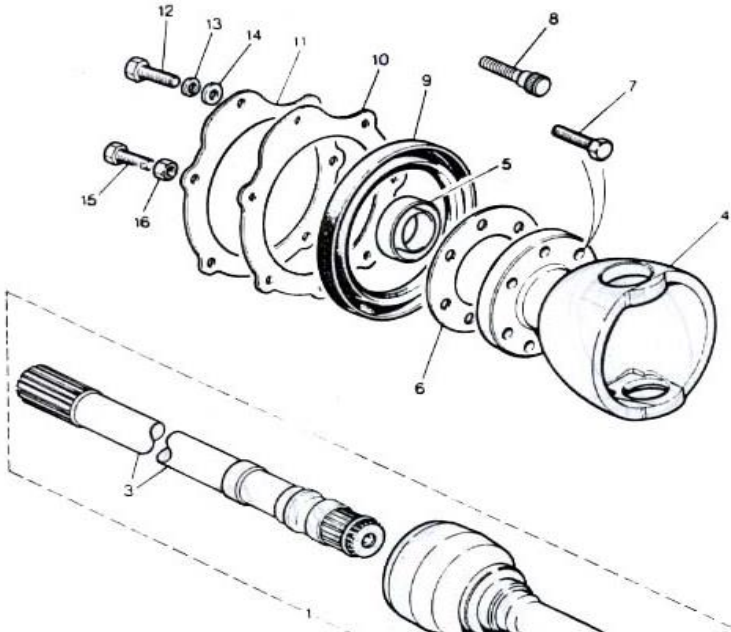
### LAND ROVER 110 YEDEK PARÇALARI

4-13

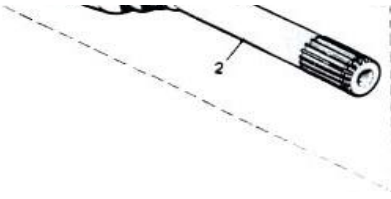
### AKSLAR VE SÜSPANSİYON-AXLES AND SUSPENSION

### ÖN DİNGİL-AKS MİLİ VE MAFSAL-KOMPLE FRONT AXLE-SHAFT AND CV JOIN ASSEMBLY

RES. NO	PARÇA NO	NATO STOK NO	MALZEMENİN ADI	MALZEMENİN YABANCI ADI	KOMP. Mik.	DAG. BİRİMİ
1	FTC3148	2520-99-450-4322	AKS MİLİ VE MAFSAL KOMPLE-SAĞ	SHAFT AND CV JOINT ASSY-RH	1	
	FTC3149	2520-99-932-6860	AKS MİLİ VE MAFSAL KOMPLE-SOL	SHAFT AND CV JOINT ASSY-LH	1	
2			Mafsal	CV Joint	2	
3			Aks-Sağ	Shaft-RH	1	
			Aks-Sol	Shaft-LH	1	
4			Mesafe Parçası	Spacer	2	
5			Bilezik	Circlip	2	
6	FRC7065	2530-99-701-6631	Taş Başı	Bearing Housing	2	
7	FTC3276	5330-99-517-2891	Yağ Keçesi	Oil Seal	2	
8	FRC2349	5330-99-797-7031	Conta	Joint Washer	2	
9	FRC8526		Saplama-Kovanı Aks Kutusuna	Bolt-Housing to Axle Case	12	
10	FTC1916	5306-99-037-0315	Özel Civata	Dowel Bolt	2	
11	FRC8530	5310-99-785-8997	Rondela	Washer	14	
12	FTC3401	5330-99-797-7028	Yağ Keçesi	Oil Seal	2	
13	571755	5340-99-807-1832	Kaplama Sacı	Retaining Plate	2	
14	11000-80006-AA	5305-99-122-5359	Saplama-Sacı Kovana Bağlar	Bolt-Plate to Housing (SH106121)	12	







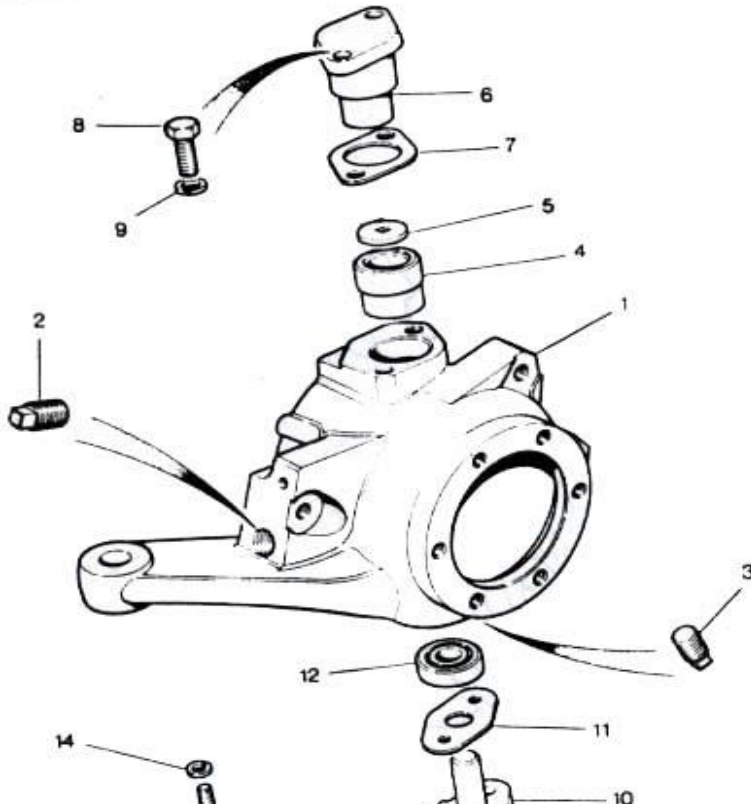
NOT:Yedek parça değildir.

## LAND ROVER 110 YEDEK PARÇALARI

4-14

## AKSLAR VE SÜSPANSİYON-AXLES AND SUSPENSION

### ÖN AKS-TAS BAŞLARI FRONT AXLE-SWIVEL PIN HOUSING



RES. NO	PARÇA NO	NATO STOK NO	MALZEMENİN ADI	MALZEMENİN YABANCI ADI	KOMP. MİK.	DAĞ. BİRİMİ
1	FRC4840	2530-99-797-7035	Tas Başı-Sağ	Swivel Pin Hosing-RH-LHD	1	ADET
	FRC4841		Tas Başı-Sol	Swivel Pin Hosing-LH-LHD	1	ADET
	FTC2530	2530-99-701-8311	Tas Başı-Sağ	Swivel Pin Hosing-RH-LHD	1	ADET
	FTC2531	2530-99-916-9880	Tas Başı-Sol	Swivel Pin Hosing-LH-LHD	1	ADET
2	3291	4730-99-895-1621	Doldurma Tapası	Filler Plug	2	ADET
3	3290-L	4730-99-194-5268	Tapa	Plug	2	ADET
4	FRC2916	2530-99-797-7037	Tas Burcu	Housing And Bush	2	ADET
5	FRC2906	2530-99-797-7038	Dayama Plakası	Thrust Washer	2	ADET
6	FRC3511	2530-99-797-7042	Tas Üst Pimi	Swivel Pin Upper	2	ADET
7			Şim	Shim	1	ADET
	FRC2883	2530-99-797-7039	0.075 mm	0.075 mm	2	ADET
	FRC2884	2530-99-797-7040	0.130 mm	0.130 mm	2	ADET
	FRC2885	2530-99-797-7041	0.250 mm	0.250 mm	2	ADET
	FRC2886	5365-99-788-7773	0.750 mm	0.750 mm	2	ADET
8	BX110071L	5306-99-790-1513	Civata	Bolt	4	ADET
9	11000-80303-AA	5310-27-006-2929	Yaylı Rondela	Spring Washer	4	ADET
10	FRC2894	2530-99-797-7045	Tas Üst Pimi	Swivel Pin Upper	1	ADET
11	FRC2897	2530-99-797-7047	Conta	Joint Washer	1	ADET
12	606666	3110-99-950-8998	Rulman	Bearing	1	ADET
13	11000-80020-AA	5305-99-122-5253	Civata	Bolt (BH108061)	4	ADET
14	11000-80302-AA	5310-27-006-2928	Yaylı Rondela	Spring Washer	2	ADET
15	FRC3725	2530-99-797-7046	Tutucu Braket	Retaining Bracket	1	ADET



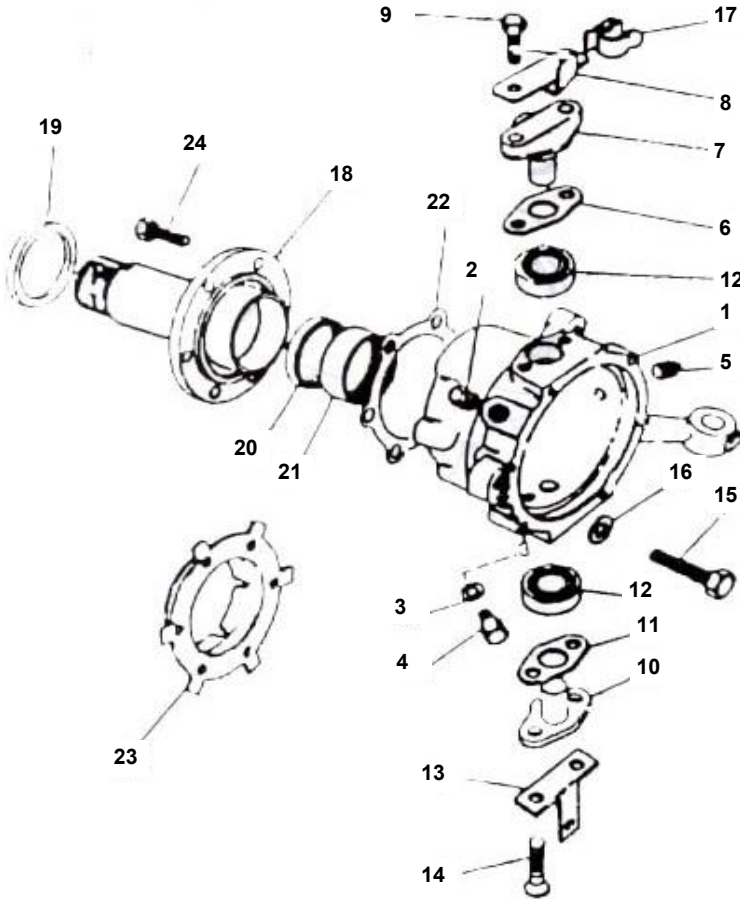
NOT:Şasi no 930434'e kadar.  
 NOT1:Şasi no JA909205'e kadar  
 NOT2:Şasi no JA909206'dan itibaren.  
 NOT3:Gereken kalınlıkta sim kullanılmalıdır.

## LAND ROVER 110 YEDEK PARÇALARI

4-15

## AKSLAR VE SÜSPANSİYON-AXLES AND SUSPENSION

### ÖN AKS-TAS BAŞLARI



RES. NO	PARÇA NO	NATO STOK NO	MALZEMENİN ADI	MALZEMENİN YABANCI ADI	KOMP. MİK.	DAĞ. BİRİMİ
1	FTC3310		TAŞ BAŞI-SAĞ	SWIVEL PIN HOUSING-	1	ADET
	FTC3311		TAŞ BAŞI-SOL	SWIVEL PIN HOUSING-	1	ADET
2	3292	4730-99-923-5244	Doldurma Tapası	Filler Plug	2	ADET
3	230511	5330-99-849-9015	Rondela	Washer	2	ADET
4	236070	5365-99-849-9521	Yağ Filtre Tapası	Plug Oil Drain	2	ADET
5	3289	4730-99-895-1620	Tapa	Plug	2	ADET
6	FRC2883	2530-99-797-7039	Sim 0.075"	Shim 0.075"	2	ADET
	FRC2884	2530-99-797-7040	Şim 0.130"	Şim 0.130"	2	ADET
	FRC2885	2530-99-797-7041	Sim 0.250"	Shim 0.250"	2	ADET
	FRC2886	5365-99-788-7773	Sim 0.750"	Shim 0.750"	2	ADET
7	FTC2882	2530-99-905-9545	Taş Alt Pimi	Swivel Pin Lower	2	ADET
8	90576928	5340-99-605-8221	Sabitleyici	Locking Washer	2	ADET
9	BX110071M	5306-99-790-1513	Civata	Bolt	2	ADET
10	FRC2894	2530-99-797-7045	Taş Üst Pimi	Swivel Pin Upper	2	ADET
11	FRC2897	2530-99-797-7047	Conta	Joint Washer	2	ADET
12	606666	3110-99-950-8998	Rulman	Bearing	4	ADET
13	FRC3725	2530-99-797-7046	Tutucu Braket	Retaining Bracket	2	ADET
14	FTC1626		Civata	Screw	4	ADET
15	11000-80020-AA	5305-99-122-5253	Civata	Bolt (BH108061)	4	ADET
16	11000-80302-AA	5310-27-006-2928	Yaylı Rondela	Spring Washer	4	ADET
17	NTC6944		Tutucu Kelepçe	Retaining Clip	2	ADET
18	FTC3183	2530-99-894-0875	Dingil Başı	Axle Stub	2	ADET
19	FTC56		Dayama Halkası	Ring Thrust	2	ADET
20	FTC840		Yağ Keçesi	Oil Seal	2	ADET
21	FTC861	3110-12-326-1173	Rulman	Bearing	2	ADET
22	FRC3205	5330-99-797-7051	Conta	Joint Washer	2	ADET
23	FRC2310	2530-99-797-7052	Çamurluk Kilit Pulu	Mudshield/Lockplate	2	ADET
24	SX110251M	5306-99-734-5820	Civata	Bolt	12	ADET

NOT:Şasi no LA930435'ten itibaren.

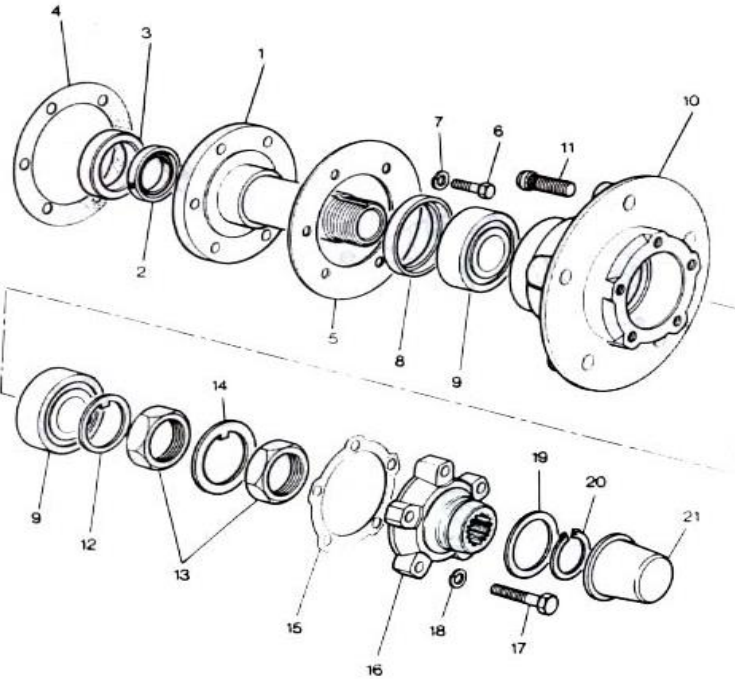
## LAND ROVER 110 YEDEK PARÇALARI

4-16

## AKSLAR VE SÜSPANSİYON-AXLES AND SUSPENSION

### ÖN DİNGİL-ÖN PORYALAR FRONT AXLE-FRONT HUBS

RES. NO	PARÇA NO	NATO STOK NO	MALZEMENİN ADI	MALZEMENİN YABANCI ADI	KOMP. MİK.	DAĞ. BİRİMİ
1	FRC4320	2530-99-797-7049	Dingil Başı	Stub Axle Assembly	2	ADET
2	FRC3099	5330-99-761-3040	Yağ Keçesi	Oil Seal	2	ADET
3	FRC4319	3120-99-797-7050	Burç	Bush	2	ADET
4	FRC3205	5330-99-797-7051	Conta	Joint Washer	2	ADET
5	FRC2310	2530-99-797-7052	Çamur Kelkanı	Mudshield	2	ADET
6	SX110251	5306-99-734-5820	Civata	Bolt	12	ADET
7	11000-80303-AA	5310-27-006-2929	Yaylı Rondela	Spring Washer	12	ADET
8	FRC8221	5330-99-839-5349	Yağ Keçesi	Oil Seal	2	ADET
	FTC2783	5330-99-839-5349	Yağ Keçesi	Oil Seal	1	ADET
9	RTC3429	3110-99-805-3264	Rulman	Bearing	2	ADET
10	FRC6139	2530-99-797-7054	Porya ve Saplama Komitesi	Hub And Stud Assembly	2	ADET
11	FRC6137	5306-99-797-4658	Bijon Saplaması	Stud	10	ADET
12	217352	5310-99-849-8885	Kamalı Pul		2	ADET
13	FRC8700	5310-99-849-8887	Kilitli Somun	Locnut	4	ADET
14	217353	5310-99-849-8886	Kilitli Pul	Locker	2	ADET
15	FRC3988	5330-99-797-4662	Conta	Joint Washer	2	ADET
16	FRC5806	2530-99-797-4659	Frezeli Kapak	Hub Driving Member	2	ADET
17	AFU1181	5306-99-734-5822	Civata	Bolt	10	ADET
18	11000-80303-AA	5310-27-006-2929	Yaylı Rondela	Spring Washer	10	ADET
19			Şim	Shim		ADET
	FRC6782	5365-99-797-7056	0.045mm	0.045mm	4	ADET
	FRC6783	5365-99-797-7057	0.060mm	0.060mm	4	ADET
	FRC6784	5365-99-797-7058	0.075mm	0.075mm	4	ADET
	FRC6785	5365-99-788-8038	0.090mm	0.090mm	4	ADET
	FRC6786	5365-99-788-8039	1.05mm	1.05mm	4	ADET
	FRC6787	5365-99-788-8044	1.20mm	1.20mm	4	ADET
	FRC6788	5365-99-788-8075	1.35mm	1.35mm	4	ADET
	FRC6789	5365-99-788-8076	1.50mm	1.50mm	4	ADET
	FRC6790	5365-99-788-8077	1.65mm	1.65mm	4	ADET



NOT:Şasi no 930434'e kadar.  
NOT1:Aks no 21L52061C'den sonra (6/7/92)  
NOT2:Gereken kalınlıktaki sim kullanılmalıdır.

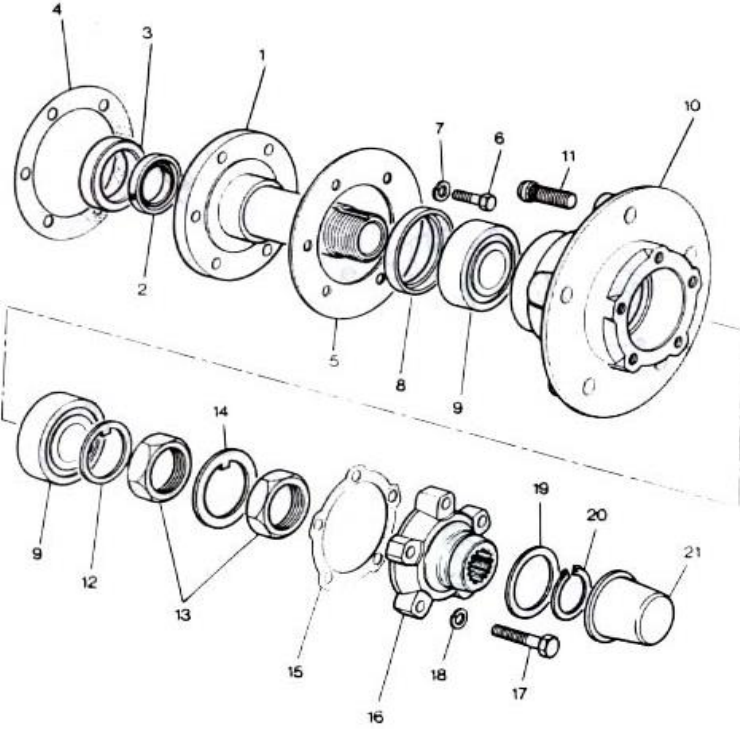
## LAND ROVER 110 YEDEK PARÇALARI

4-17

## AKSLAR VE SÜSPANSİYON-AXLES AND SUSPENSION

### ÖN DİNGİL-ÖN PORYALAR

RES. NO	PARÇA NO	NATO STOK NO	MALZEMENİN ADI	MALZEMENİN YABANCI ADI	KOMP. Mik.	DAĞ. BİRİMİ
20	549473	5365-99-809-6586	Segman	Circlip	2	ADET
21	FRC4377	2530-99-792-2647	Poyra Kapağı	Hub Cap	2	ADET



LAND ROVER 110 YEDEK PARÇALARI

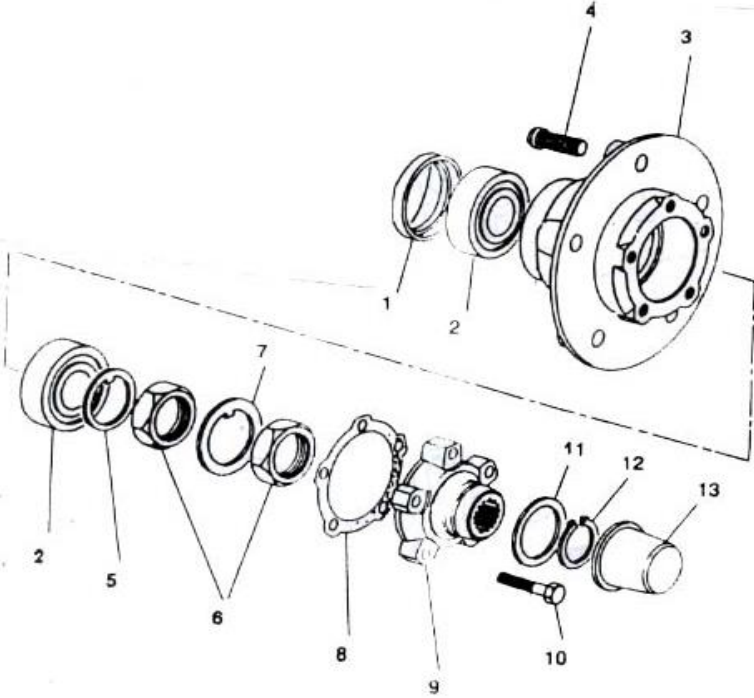
4-18

AKSLAR VE SÜSPANSİYON-AXLES AND SUSPENSION

ÖN DİNGİL-ÖN PORYALAR

RES. NO	PARÇA NO	NATO STOK NO	MALZEMENİN ADI	MALZEMENİN YABANCI ADI	KOMP. MİK.	DAĞ. BİRİMİ
1	FTC2783	5330-99-839-5349	Poyra Yağ Keçesi	Hub Oil Seal	2	ADET
2	RTC3429	3110-99-805-3264	Rulman	Bearing	4	ADET
3	FTC942	2530-99-320-0945	Poyra Komitesi	Hub Assembly	2	ADET
4	FRC5926	5306-99-792-4045	Bijon Saplaması	Stud	10	ADET
5	FTC3185	5310-99-449-4061	Pul	Washer Stub Axle	2	ADET
6	FRC8700	5310-99-849-8887	Somun	Nut Stub Axle	4	ADET
7	FTC3179	5310-99-300-8710	Emniyet Pulu	Lock Washer	2	ADET
8	571752	5330-99-825-2742	Conta	Joint Washer	2	ADET
9	FTC859	2530-99-314-5832	Frezeli Kapak	Hub Driving Member	2	ADET
10	FC940		Civata	Bolt	10	ADET
11						ADET
	FRC6782	5365-99-797-7056	0.045mm	0.045mm	2	ADET
	FRC6783	5365-99-797-7057	0.060mm	0.060mm	2	ADET
	FRC6784	5365-99-797-7058	0.075mm	0.075mm	2	ADET
	FRC6785	5365-99-788-8038	0.090mm	0.090mm	2	ADET
	FRC6786	5365-99-788-8039	1.05mm	1.05mm	2	ADET
	FRC6787	5365-99-788-8044	1.20mm	1.20mm	2	ADET
	FRC6788	5365-99-788-8075	1.35mm	1.35mm	2	ADET
	FRC6789	5365-99-788-8076	1.50mm	1.50mm	2	ADET
	FRC6790	5365-99-788-8077	1.65mm	1.65mm	2	ADET
12	549473	5365-99-809-6586	Segman	Circlip	2	ADET
13	FTC943		Poyra Kapağı	Hub Cap	2	ADET

NOT:Şasi no 930435'ten itibaren  
NOT1:Gereken kalınlıktaki sim kullanılmalıdır.



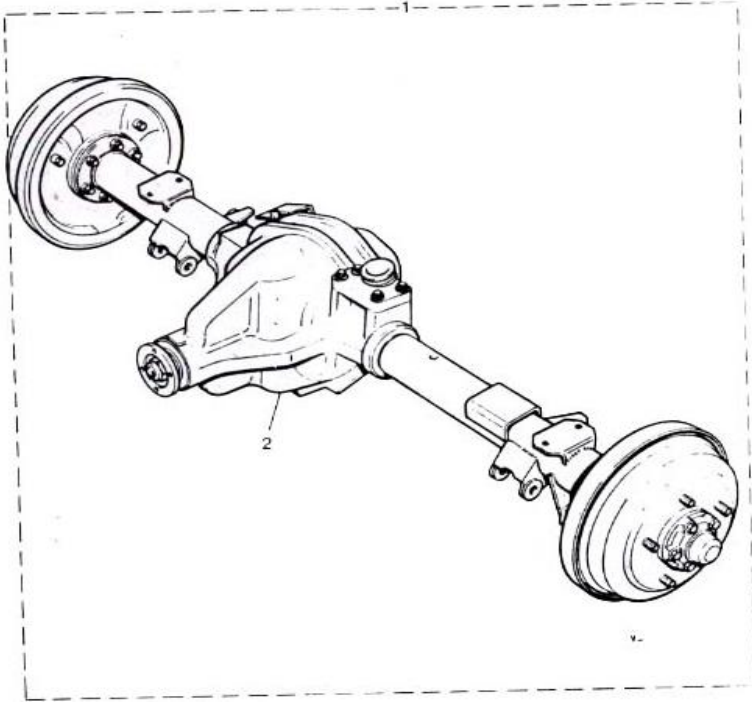
## LAND ROVER 110 YEDEK PARÇALARI

4-19

## AKSLAR VE SÜSPANSİYON-AXLES AND SUSPENSION

## ARKA DİNGİL-KOMPLE

RES. NO	PARÇA NO	NATO STOK NO	MALZEMENİN ADI	MALZEMENİN YABANCI ADI	KOMP. MİK.	DAĞ. BİRİMİ
1	FTC2352	2520-99-324-9984	Arka Dingil Komple	Rear Axle Complete Assy	1	ADET
2	FTC2211		Arka Dingil Kovan Komitesi	Rear Axle Housing Assy	1	ADET



## LAND ROVER 110 YEDEK PARÇALARI

4-20

## AKSLAR VE SÜSPANSİYON-AXLES AND SUSPENSION

## ARKA DİNGİL-KOMPLE

RES. NO	PARÇA NO	NATO STOK NO	MALZEMENİN ADI	MALZEMENİN YABANCI ADI	KOMP. MİK.	DAĞ. BİRİMİ
---------	----------	--------------	----------------	------------------------	------------	-------------

1	FTC3693		Arka Dingil Komple	Rear Axle Complete Assy	1	ADET
2	FTC3694		Arka Dingil Kovan Komitesi	Rear Axle Housing Assy	1	ADET

NOT:Şasi no 930435'ten itibaren

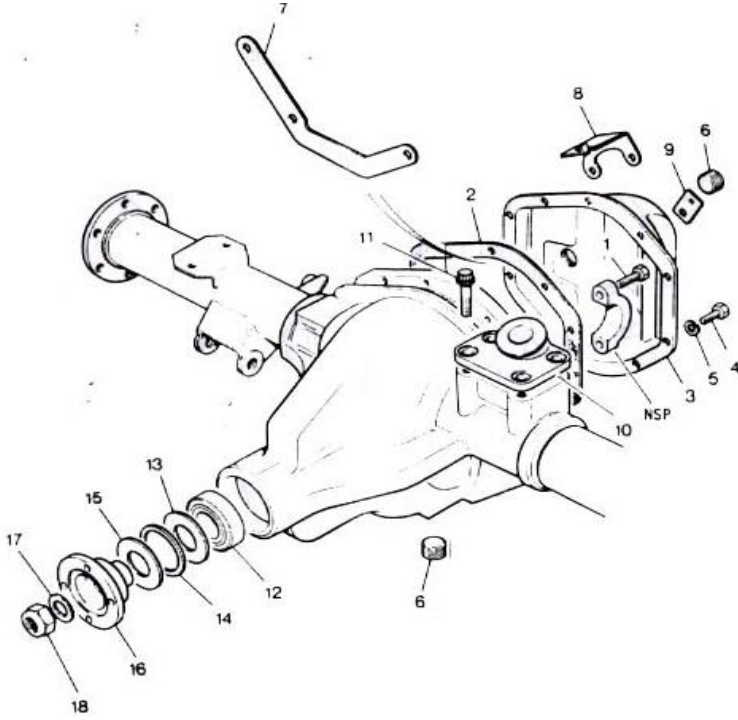
**LAND ROVER 110 YEDEK PARÇALARI**

**4-21**

**AKSLAR VE SÜSPANSİYON-AXLES AND SUSPENSION**

**ARKA DİNGİL-DİFERANSİYEL ARMUTU  
REAR AXLE-AXLE CASE**

RES. NO	PARÇA NO	NATO STOK NO	MALZEMENİN ADI	MALZEMENİN YABANCI ADI	KOMP. MİK.	DAG. BİRİMİ
1	607163	5306-99-821-9447	Kep Saplması	Bolt-Diff Bearing Cap	4	ADET
2	RTC1139	5330-99-825-5904	Conta	Gasket	1	ADET
3	RTC844	2520-99-828-4786	Arka Kapak	Cover	1	ADET
4	607173	5305-66-098-4282	Cıvata	Bolt	10	ADET



5	AAU2825	5310-99-135-9303	Tırtıllı Pul	Lock Washer	10	ADET
6	608246	4730-99-823-7480	Boşaltma/Doldurma Tapası	Filler/Drain Plug	2	ADET
7	RTC845	2530-99-829-7971	Baskı sacı	Flitch Plate	1	ADET
8	NRC8024	2590-99-254-7530	Braket	Bracket-3 Way	1	ADET
9	NRC5346	2530-99-254-7484	Tutucu-Fren Borusu	Plate-Brake Pipe	1	ADET
10	NRC9607	2530-99-410-0335	Braket Mafsalsal	Bracket-ball joint	1	ADET
11	AEU2508	5306-99-720-9990	Özel Cıvata	Special Bolt	4	ADET
12	607181	3110-99-833-7435	Mahruti Dış Rulmanı	Pinion Bearing-Outer	1	ADET
13	607182	2520-99-821-8426	Yağ Tutucu	Oil Thrower	1	ADET
14	607183	5330-99-821-5717	Conta	Gasket	1	ADET
15	AEU2515	5330-99-784-2678	Yağ Keçesi-Mahruti	Oil Seal	1	ADET
16	607185	2520-99-821-8423	Flanş Giriş	Flange	1	ADET
17	607357		Pul	Washer	1	ADET
18	90608545	5310-99-821-8424	Kilitli Somun	Locknut	1	ADET

### LAND ROVER 110 YEDEK PARÇALARI

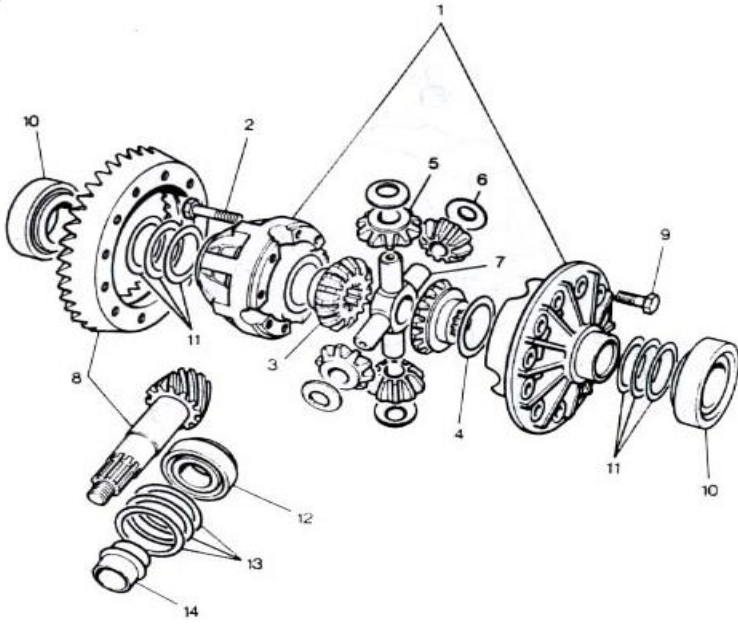
4-22

### AKSLAR VE SÜSPANSİYON-AXLES AND SUSPENSION

### ARKA DİNGİL-DİFERANSİYEL

RES. NO	PARÇA NO	NATO STOK NO	MALZEMENİN ADI	MALZEMENİN YABANCI ADI	KOMP. MİK.	DAĞ. BİRİMİ
1	AEU1489	2520-99-796-5400	Diferansiyel Kutusu	Differential case	1	ADET
2	607165	2520-99-821-9444	Cıvata	Bolt	8	ADET
	RTC4488	2520-99-708-8394	Diferansiyel Dişlileri	Differential Gear Kit	1	ADET
3	607166	2520-99-821-9439	Diferansiyel Dişlisi	Differential Gear	2	ADET
4	607169	2520-99-821-9438	Dayama Pulu	Thurust Washer	2	ADET
5	607167	3020-99-821-9440	İstavroz Dişlisi	Differential Wheel	4	ADET
6	607168	2520-99-821-9442	Dayama Pulu	Thurust Washer	4	ADET





7	90607170	2520-99-821-9441	İstavroz Mili	Cross Shaft	1	ADET
8	AEU1488	2530-99-796-5399	Ayna ve Mahruti	Crown Wheel And pinion	1	ADET
9	RTC773	5306-99-137-6377	Cıvata	Bolt	12	ADET
10	607187	3110-99-821-9445	Diferansiyel Rulmanı	Bearing-Differantial	2	ADET
11			Şim Diferansiyel Rulmanı	Shim Differantial Bearing		ADET
	607188	5365-99-821-8445	0.003"	0.003"	2	ADET
	607189	5365-99-821-8446	0.005"	0.005"	2	ADET
	607190	5365-99-821-8447	0.010"	0.010"	2	ADET
	607191	5365-99-821-8448	0.030"	0.030"	2	ADET
12	607180	3110-99-821-8449	Mahruti Rulmanı-İç	Pinion Bearing Inner	1	ADET
13			Şim Mahruti Rulmanı	Shim Pinion Bearing		ADET
	607177	5365-99-821-8442	0.003"	0.003"	2	ADET
	607178	5365-99-821-8443	0.003"	0.003"	2	ADET
	607179	5365-99-821-8444	0.010"	0.010"	2	ADET
14	607197	2520-99-821-8428	Mesafe Burcu	Collapsible Spacer	1	ADET

NOT:Gereken kalınlıktaki sim kullanılmalıdır.

## LAND ROVER 110 YEDEK PARÇALARI

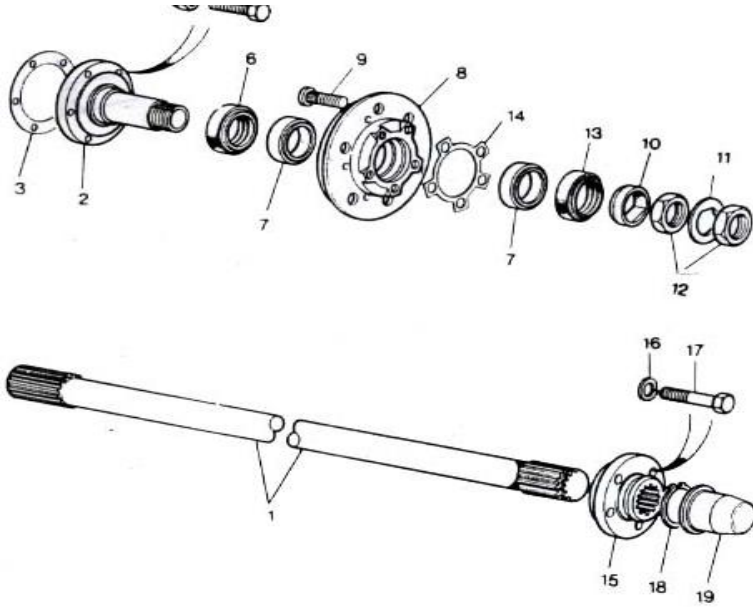
4-23

## AKSLAR VE SÜSPANSİYON-AXLES AND SUSPENSION

### ARKA DİNGİL-AKS MİLİ VE PORYA REAR AXLE-AXLE SHAFTS AND HUBS

RES. NO	PARÇA NO	NATO STOK NO	MALZEMENİN ADI	MALZEMENİN YABANCI ADI	KOMP. MİK.	DAĞ. BİRİMİ
1	FRC2454	2530-99-797-4660	Arka Aks Mili-Sağ	Rear Axle Shaft-RH	1	ADET
	FRC2455	2530-99-797-4661	Arka Aks Mili-Sol	Rear Axle Shaft-LH	1	ADET
2	FRC8540	2520-99-722-1719	Dingil Başı	Hub Bearing Sleeve	2	ADET
3	FRC3136	5310-99-733-3093	Conta	Joint Washer	2	ADET
4	FRC7257	5306-99-724-8666	Dingil Başı Saplaması	Bolt Sleeve to Axle	12	ADET
5	12B00-80224-AA	5310-27-006-2760	Fiberli Somun	Nyloc Nut	12	ADET
6	FRC8221	5330-99-839-5349	Yağ Keçesi	Oil Seal	2	ADET
	FTC2783	5330-99-839-5349	Yağ Keçesi	Oil Seal Hub	2	ADET
7	RTC3429	3110-99-805-3264	Bilya İç ve Dış	Bearing,Inner and Outher	4	ADET



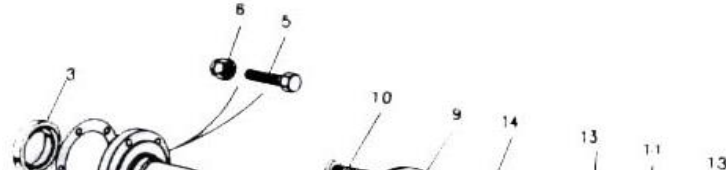


8	FRC8555	2530-99-722-1721	Porya ve Saplama Komitesi	Hub and Stud Assy	2	ADET
9	FRC6137	5306-99-797-4658	Bijon Saplaması	Stud	10	ADET
10	FRC8227	5365-99-722-1724	Mesafe Parçası	Spacer	2	ADET
11	FRC8700	5310-99-849-8887	Kilitli Somun	Locknut	4	ADET
12	FRC8002	5310-99-722-1722	Kamalı Pul	Locker	2	ADET
13	FRC8222	5330-99-722-1723	Yağ Keçesi-Dış	Oil Seal Outer	2	ADET
14	FRC3988	5330-99-797-4662	Conta	Gasket	2	ADET
15	FRC5806	2530-99-797-4659	Frezeli Kapak	Hub Driving Member	2	ADET
16	11000-80303-AA	5310-27-006-2929	Yaylı Rondela	Spring Washer	5	ADET
17	AFU1181	5306-99-734-5822	Cıvata	Bolt	10	ADET
18	549473	5365-99-809-6586	Segman	Circlip	2	ADET
19	FRC4377	2530-99-792-2647	Porya Kapağı	Hub Cap	2	ADET

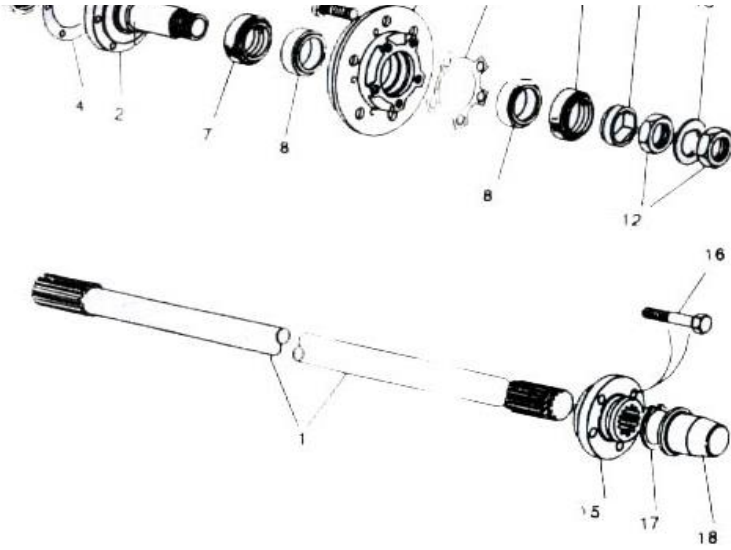
NOT:Şasi no 930435'ten itibaren  
NOT1:21S10028C'den sonra

## LAND ROVER 110 YEDEK PARÇALARI

### ARKA DİNGİL-AKS MİLİ VE PORYA



4-24		AKSLAR VE SÜSPANSİYON-AXLES AND SUSPENSION				
RES. NO	PARÇA NO	NATO STOK NO	MALZEMENİN ADI	MALZEMENİN YABANCI ADI	KOMP. Mik.	DAĞ. BİRİMİ
1	FTC1724	2520-99-417-1078	Aks Mili-Sağ	Shaft Axle-RH	1	ADET
	FTC1725	2520-99-701-6646	Aks Mili-Sol	Shaft Axle-LH	1	ADET
2	FTC1738	2530-99-786-5126	Yarım Dingil	Stub Axle	2	ADET
3	FTC951		Yağ Keçesi	Oil Seal	2	ADET
4	FRC3136	5310-99-733-3093	Conta	Joint Washer	2	ADET
5	BX110111		Saplama	Bolt	8	ADET
	SX110301	5306-99-977-4405	Cıvata	Screw	4	ADET
6	12B00-80224-AA	5310-27-006-2760	Somun	Nut(NY110041)	12	ADET
7	FTC2783	5330-99-839-5349	Porya Yağ Keçesi	Hub Oil Seal	2	ADET
8	RTC3429	3110-99-805-3264	Rulman	Bearing	4	ADET
9	FTC942	2530-99-320-0945	Porya Komitesi	Hub Assembly	2	ADET
10	FRC5926	5306-99-792-4045	Bijon Saplaması	Stud	10	ADET
11	FTC3185	5310-99-449-4061	Pul	Washer Stub Axle	2	ADET



12	FRC8700	5310-99-849-8887	Somun	Nut Stub Axle	4	ADET
13	FTC3179	5310-99-300-8710	Emniyet Pulu	Lock Washer	2	ADET
14	571752	5330-99-825-2742	Conta	Joint Washer	2	ADET
15	FTC859	2530-99-314-5832	Frezeli Kapak	Hub Driving Member	2	ADET
16	FTC940		Civata	Bolt	10	ADET
17	549473	5365-99-809-6586	Segman	Circlip	2	ADET
18	FRC4377	2530-99-792-2647	Poyra Kapağı	Hub Cap	2	ADET

NOT:Şasi no 930435'ten itibaren.

## LAND ROVER 110 YEDEK PARÇALARI

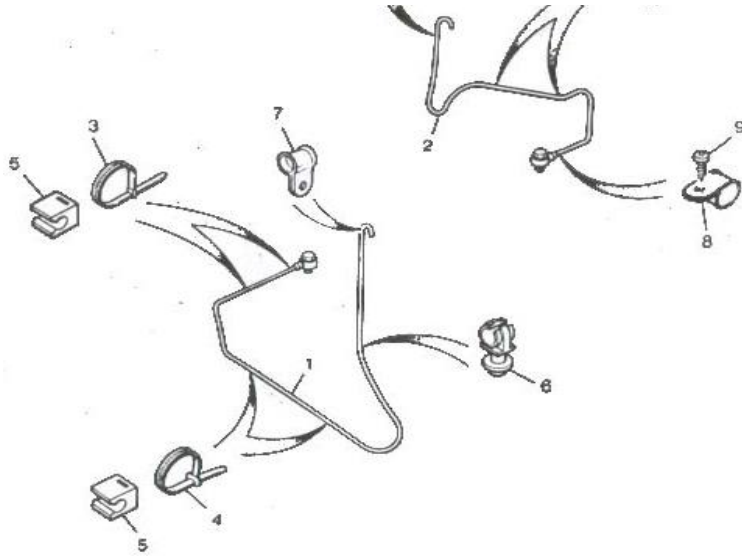
4-25

## AKSLAR VE SÜSPANSİYON-AXLES AND SUSPENSION

### AKS HAVALANDIRMA BORULARI AXLES REMOTE BREATHERS

RES. NO	PARÇA NO	NATO STOK NO	MALZEMENİN ADI	MALZEMENİN YABANCI ADI	KOMP. MİK.	DAĞ. BİRİMİ
1	FTC2175-LD	4710-99-930-6372	Ön Aks Havalandırma Borusu	Remote Breather-Front Axle	1	ADET
	FTC2177-LD	2520-99-028-4955	Ön Aks Havalandırma Borusu	Remote Breather-Front Axle	1	ADET
2	FTC2176-LD	2520-99-781-0495	Arka Aks Havalandırma Borusu	Remote Breather-Rear Axle	1	ADET
	FTC2178-LD	2520-99-739-7631	Arka Aks Havalandırma Borusu	Remote Breather-Rear Axle	1	ADET
3	594594	5340-99-829-4908	Şerit Kelepçe	Cable Tie	2	ADET
4	568680	5340-99-195-5122	Şerit Kelepçe	Cable Cleat	2	ADET
5	NRC9246	5340-99-730-9620	Boru Kelepçesi	Clip	4	ADET
6	79123	2910-99-825-6359	Klip	Clip	1	ADET
7	622324-L	5340-66-106-1527	'P' Kelepçe	'P' Clip	1	ADET
8	ATU1017L	5340-99-126-3436	'P' Kelepçe	'P' Clip	1	ADET
9	79004	5305-99-142-7620	Vida	Screw	1	ADET
10	568680	5340-99-195-5122	Şerit Bağlantı	Cleat	2	ADET
11	NRC9246	5340-99-730-9620	Boru Kelepçesi	Clip	2	ADET





12	79123	2910-99-825-6359	Klip	Clip	1	ADET
----	-------	------------------	------	------	---	------

NOT:Şasi no 930434'ten önce  
NOT1:Askeri araçlarda kullanılır.

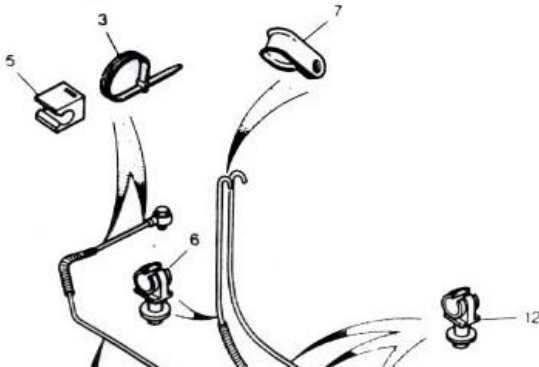
### LAND ROVER 110 YEDEK PARÇALARI

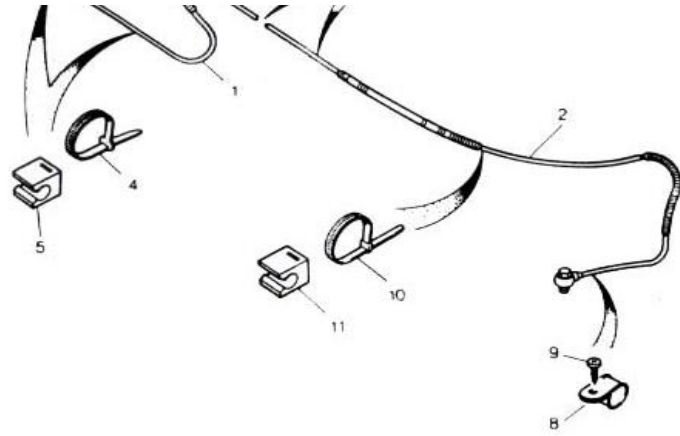
4-26

### AKSLAR VE SÜSPANSİYON-AXLES AND SUSPENSION

#### AKS HAVALANDIRMA BORULARI

RES. NO	PARÇA NO	NATO STOK NO	MALZEMENİN ADI	MALZEMENİN YABANCI ADI	KOMP. MİK.	DAG. BİRİMİ
1	FTC2177-LD	2520-99-028-4955	Ön Aks Havalandırma Borusu	Remote Breather-Front Axle	1	ADET
2	72B00-06101-AA		Arka Aks Havalandırma Borusu	Remote Breather-Rear Axle	1	ADET
3	594594	5340-99-829-4908	Şerit Kelepçe	Tie Clip	2	ADET
4	568680	5340-99-195-5122	Şerit Kelepçe	Cable Cleat	2	ADET
5	NRC9246	5340-99-730-9620	Kelepçe	Clip	4	ADET
6	79123	2910-99-825-6359	Kelepçe-Tek	Clip Sing-le	1	ADET
7	622324-L	5340-66-106-1527	Kelepçe	Clip	1	ADET
8	ATU1017L	5340-99-126-3436	'P' Kelepçe	'P' Clip	1	ADET
9	79004	5305-99-142-7620	Vida	Screw	1	ADET
10	568680	5340-99-195-5122	Şerit Bağlantı	Cleat	2	ADET
11	NRC9246	5340-99-730-9620	Boru Kelepçesi	Clip	2	ADET
12	79123	2910-99-825-6359	Kelepçe	Clip	3	ADET





NOT:Şasi no LA930435'ten itibaren

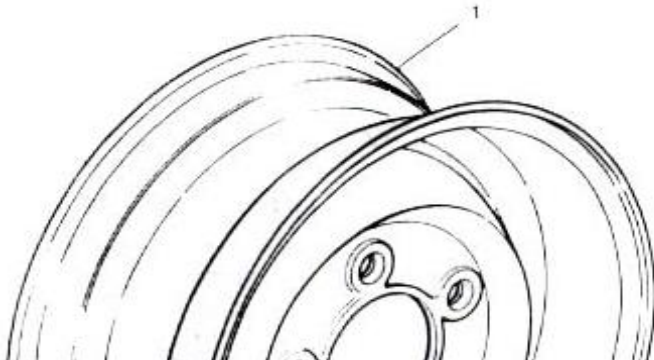
## LAND ROVER 110 YEDEK PARÇALARI

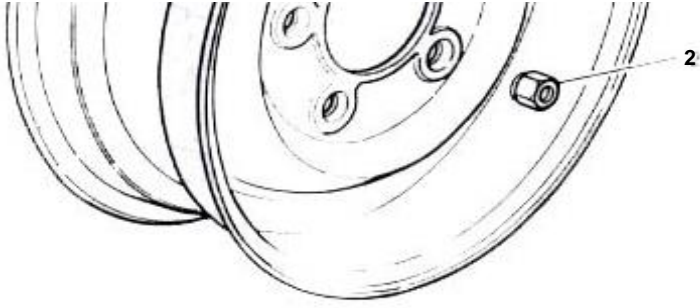
4-27

## AKSLAR VE SÜSPANSİYON-AXLES AND SUSPENSION

### JANT

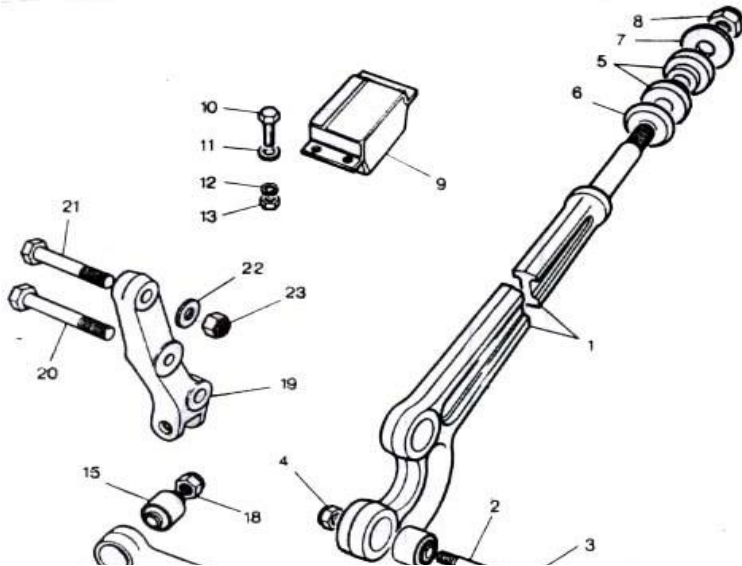
RES. NO	PARÇA NO	NATO STOK NO	MALZEMENİN ADI	MALZEMENİN YABANCI ADI	KOMP. MİK.	DAĞ. BİRİMİ
1	NRC7578-LD	2530-99-806-1967	Jant	Road Wheel	5	ADET
	NRC7578S-LD		Jant-Fildişi/Sivil Araçlarda	Road Wheel-Ivory Col./Civilian	5	ADET
	NRC7578J-LD		Jant-Okyanus Mavisi/Askeri Araç	Road Wheel-Ocean Blue/Military V	5	ADET
	NRC7578A-LD		Jant-Haki/Askeri Araçlarda	Road Wheel-Khaki/Military Vehic	5	ADET
2	90577473	5310-99-819-1858	Bijon Somunu	Wheel Nut	20	ADET





## LAND ROVER 110 YEDEK PARÇALARI

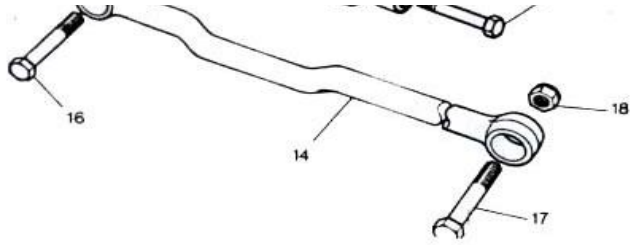
### ÖN SÜSPANSİYON



## 4-28

## AKSLAR VE SÜSPANSİYON-AXLES AND SUSPENSION

RES. NO	PARÇA NO	NATO STOK NO	MALZEMENİN ADI	MALZEMENİN YABANCI ADI	KOMP. Mik.	DAĞ. Birimi
1	NTC2705	2530-99-782-2504	ÖN KOL KOMPLE	RADIUS ARM ASSY-FRONT	2	ADET
2	NTC7307	5340-99-350-6008	Ön Kol Burcu	Rubber Bush	4	ADET
3	BH610281L	5305-99-611-6601	Civata	Bolt	4	ADET
4	NY610041	5310-99-941-3306	Somun	Nut	4	ADET
5	NRC4514-L	5365-99-720-8115	Şasi Burcu	Bush-Arm to Chassis	4	ADET
6	NRC4515-L	5310-99-720-8116	Lastik Pul	Dished Washer	2	ADET
7	NRC4516-L	5310-66-128-4837	Pul	Plain Washer	2	ADET
8	71A00-80256-AA	5310-27-006-2764	Fiberli Somun	Nyloc Nut (NY120041)	2	ADET
9	575707-L	5340-99-825-5756	Süspansiyon Takozu-Ön	Rubber-Front Bump Stop	2	ADET
10	11000-80017-AA	5306-27-006-2704	Civata	Screw (SH108201)	4	ADET
11	11000-80324-AA	5310-99-122-6475	Pul	Plain Washer	4	ADET
12	11000-80302-AA	5310-27-006-2928	Rondela	Spring Washer	4	ADET
13	71A00-80203-AA	5310-27-006-2774	Somun	Nut (NH108041)	4	ADET
14	NRC9729	2590-99-775-5906	İSTİKAMET ÇUBUĞU	PANHARD ROD	1	ADET
15	NRC9728	5365-99-730-9598	İstikamet Çubuk Burcu	Bush-Panhard Rod	2	ADET
16	71A00-80089-AA	5306-27-006-2693	Civata	Bolt (BH114161)	1	ADET
17	71A00-80089-AA	5306-27-006-2693	Civata	Bolt (BH114161)	1	ADET
18	71A00-80266-AA	5310-27-006-2765	Fiberli Somun	Nyloc Nut (NY114041)	2	ADET
19	NRC5765	2530-99-720-8119	Şasi Ucu Tespit Ayağı	Mounting Arm-LHS	1	ADET
	NTC9461	2530-99-051-4906	Şasi Ucu Tespit Ayağı	Mounting Arm-LHS	1	ADET
20	253952	5306-99-941-8136	Civata	Bolt	2	ADET
21	BH608461	5306-99-941-1674	Civata	Bolt	1	ADET
22	71A00-80328-AA	5310-27-006-2951	Pul	Plain Washer (WC112081L)	2	ADET



23	NY608041L	5310-99-943-4300	Somun	Nut	2	ADET
----	-----------	------------------	-------	-----	---	------

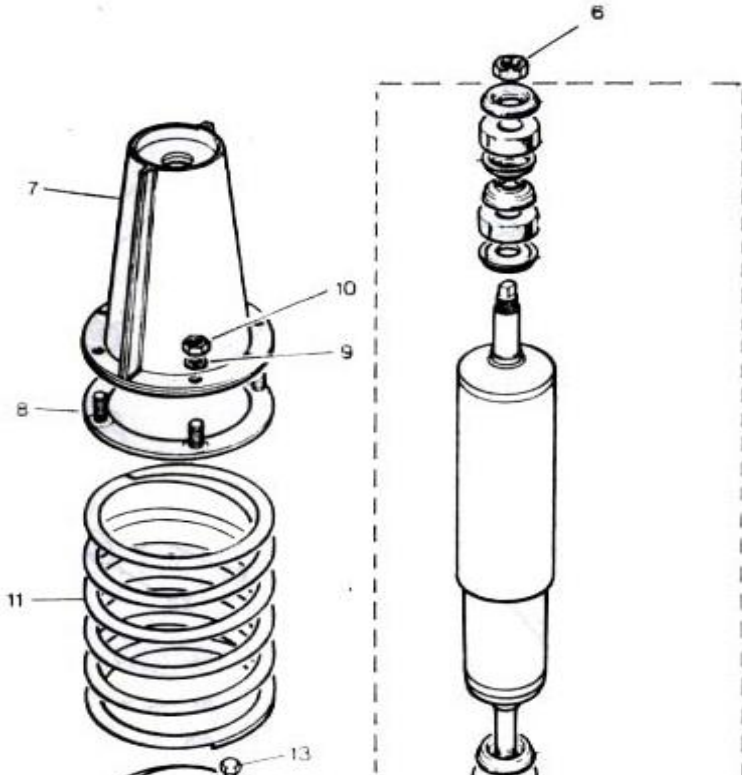
NOT1:Şasi numarası JA914411'e kadar  
NOT2:Şasi numarası JA914412'den itibaren

## LAND ROVER 110 YEDEK PARÇALARI

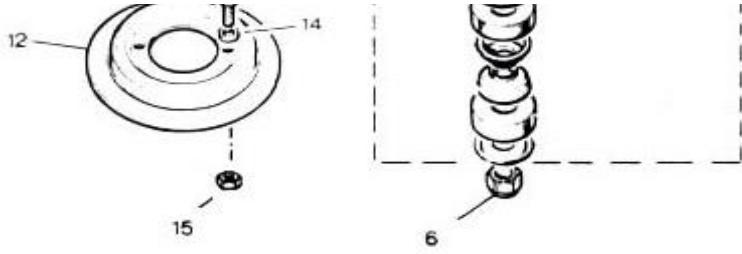
4-29

## AKSLAR VE SÜSPANSİYON-AXLES AND SUSPENSION

### ÖN SÜSPANSİYON



RES. NO	PARÇA NO	NATO STOK NO	MALZEMENİN ADI	MALZEMENİN YABANCI ADI	KOMP. MİK.	DAG. BİRİMİ
1	71A00-03615-AB	2510-27-006-2851	Amortisör Komple ön	Shock Absorber Assy-Front	2	ADET
	71A00-03615-AB	2510-27-006-2851	Amortisör Komple ön	Shock Absorber Assy-Front	2	ADET
6	NT608041L	5310-99-657-6231	Kilitli Somun	Lock Nut	4	ADET
	NTC4571	5310-99-957-4400	Somun	Nut	4	ADET
7	NRC6372-L	2540-99-730-9601	Amörtisör Yatağı	Bracket-Shock Absorber	2	ADET
8	572087-LM	2540-99-720-8126	Yatak Tespit Halkası	Securing Ring Bracket	2	ADET
9	71A00-80316-AA	5310-99-941-6655	Rondela	Spring Washer (WM600051)	8	ADET
10	NH605041L	5310-99-136-1515	Somun	Nut	8	ADET
11	NRC8044-LD	5360-99-839-5435	Ön Yay-Şöför Tarafı	Front Spring-Drivers	1	ADET
	NRC8045-LD	5360-99-839-5436	Ön Yay-Yolcu Tarafı	Front Spring-Passengers	1	ADET
12	575579-L	5340-66-139-0048	Yay Oturma Plakası-Alt	Spring Seat-Lower	2	ADET
	NRC9700-L	5340-99-660-1880	Yay Oturma Plakası-Alt	Spring Seat-Lower	2	ADET
13	11000-80034-AA	5306-99-122-4910	Civata	Screw (SH110251)	4	ADET
14	71A00-80303-AA	5310-99-135-4103	Rondela	Spring Washer	4	ADET
15	12B00-80224-AA	5310-27-006-2760	Somun	Nyloc Nut	4	ADET



NOT1: Haziran 1991'e kadar  
 NOT2: Haziran 1991'den itibaren  
 NOT3: Basi No 380009'a kadar.  
 NOT4: Basi No 38010'dan itibaren

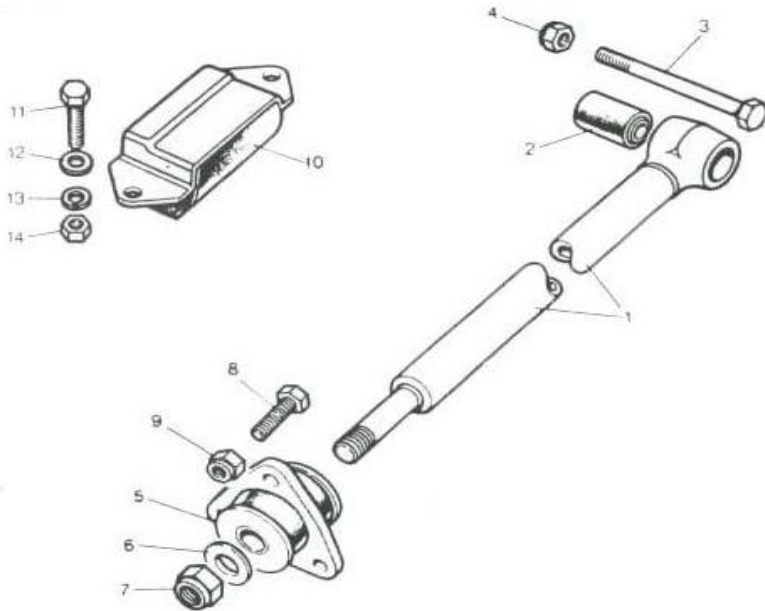
## LAND ROVER 110 YEDEK PARÇALARI

4-30

## AKSLAR VE SÜSPANSİYON-AXLES AND SUSPENSION

### ARKA SÜSPANSİYON-ARKA KOL REAR SUSPENSION-BOTTOM LINK

RES. NO	PARÇA NO	NATO STOK NO	MALZEMENİN ADI	MALZEMENİN YABANCI ADI	KOMP. MİK.	DAĞ. BİRİMİ
1	NTC8328	2530-99-562-2773	ARKA KOL KOMPLE	BOTTOM LINK ASSY	2	ADET
2	NTC1772		Arka Kol Burcu	Bush-Bottom Link	2	ADET
3	BH610321L	5306-99-941-0365	Kol-Aks Saplaması	Bolt-Link to Axle	2	ADET
4	252166	5310-99-943-4301	Somun-Aks Saplaması	Nut	2	ADET
5	STC618	5340-99-083-6715	Arka Kol Şasi Tespit Kütüğü	Mounting Rubber-Link to Frame	1	ADET
	NTC9027	5340-99-219-2339	Arka Kol Şasi Tespit Kütüğü	Mounting Rubber-Link to Frame	2	ADET
6	71A00-80330-AA	5310-27-006-2942	Pul	Plain Washer(WA120001)	2	ADET
7	71A00-80256-AA	5310-99-122-5504	Fiberli Somun	Nyloc Nut(NY120041)	2	ADET
8	11000-80038-AA	5306-27-006-2709	Civata	Screw(SH110301)	6	ADET
9	12B00-80224-AA	5310-27-006-2760	Fiberli Somun	Ntloc Nut(NY110041)	6	ADET
10	575789-L	5340-99-825-5782	Süspansiyon Takozu	Bump Stop Rubber	2	ADET
11	11000-80017-AA	5306-27-006-2704	Civata	Screw (SH108201)	4	ADET
12	11000-80324-AA	5310-99-122-6475	Pul	Plain Washer	4	ADET
13	11000-80302-AA	5310-27-006-2928	Rondela	Spring Washer(WL108001)	4	ADET
14	71A00-80203-AA	5310-27-006-2774	Fiberli Somun	Nyloc Nut(NY108041)	4	ADET





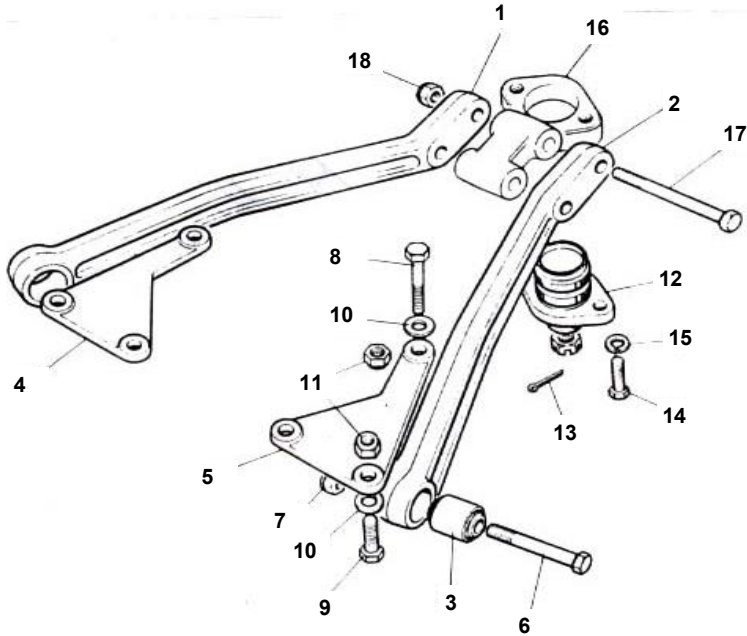
NOT:Yenilemede NTC8328 "Arka kol Komple" sağ ve sol beraber değiştirilmelidir.  
 NOT1:Şasi numarası JA910738'e kadar.  
 NOT2:Şasi numarası JA910739'dan itibaren

## LAND ROVER 110 YEDEK PARÇALARI

4-31

## AKSLAR VE SÜSPANSİYON-AXLES AND SUSPENSION

### ARKA SÜSPANSİYON-İSTİKAMET ÇATALI REAR SUSPENSION-TOP LINK AND BUSH



RES. NO	PARÇA NO	NATO STOK NO	MALZEMENİN ADI	MALZEMENİN YABANCI ADI	KOMP. MİK.	DAĞ. BİRİMİ
1	NTC2706	2530-99-983-0169	Sağ Çatal Komple	Link Top Assy-RH	1	ADET
2	NTC2707	2530-99-910-6642	Sol Çatal Komple	Link Top Assy-LH	1	ADET
3	NTC1773	5340-99-732-5866	Burç	Bush	2	ADET
4	575615	2590-99-254-7812	Sağ Çatal Şasi Tespit Ayağı	Bracket-RH	1	ADET
5	575616	2590-99-254-7813	Sol Çatal Şasi Tespit Ayağı	Bracket-LH	1	ADET
6	BH612321	5306-99-941-0379	Civata	Bolt	2	ADET
7	NY612041	5310-99-943-4302	Fiberli Somun	Nyloc Nut	2	ADET
8	BX110111L		Civata	Bolt	2	ADET
9	BX110091	5306-99-139-4127	Civata	Bolt	4	ADET
10	71A00-80326-AA	5310-27-006-2950	Pul	Plain Washer (WC110061L)	6	ADET
11	NY110051L	5310-99-215-8581	Fiberli Somun	Nyloc Nut	6	ADET
12	NTC9932	2530-99-732-6776	Rotil Komple	Ball Joint Assy	1	ADET
	NTC4618	5310-99-663-3798	Somun	Nut	1	ADET
13	71A00-80427-AA	5315-27-006-2978	Kopilya	Split Pin (PS106321L)	1	ADET
14	SH605081L	5305-99-941-0700	Civata	Screw (FS108201)	2	ADET
	11000-80016-AA	5306-27-006-2703	Civata	Screw (FS108201)	2	ADET
15	WM600051L	5310-99-941-6655	Rondela	Bracket Fulcrum	2	ADET
16	NRC3923	2530-99-730-9612	Rotil	Bolt	1	ADET
	ANR3037	2590-99-127-2539	Rotil	Bracket Fulcrum	1	ADET
17	253952	5306-99-941-8136	Civata	Bolt	2	ADET
18	NY608041L	5310-99-943-4300	Fiberli Somun	Nyloc Nut	2	ADET

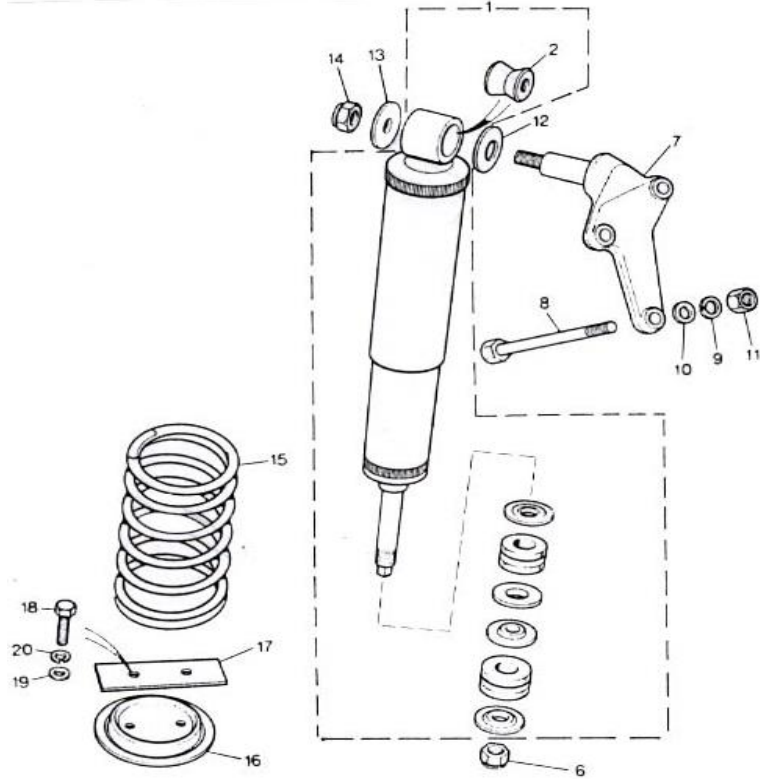
NOT1:Şasi No KA930263'ten önce  
 NOT2:Şasi No KA930264'ten itibaren.

## LAND ROVER 110 YEDEK PARÇALARI

4-32

## AKSLAR VE SÜSPANSİYON-AXLES AND SUSPENSION

## ARKA AMORTİSÖR



RES. NO	PARÇA NO	NATO STOK NO	MALZEMENİN ADI	MALZEMENİN YABANCI ADI	KOMP. MİK.	DAĞ. BİRİMİ
1	71A00-03616-AB	2510-27-006-2852	Amortisör Komple-Arka	Shock Absorber Assy-Rear	2	ADET
	71A00-03616-AB	2510-27-006-2852	Amortisör Komple-Arka	Shock Absorber Assy-Rear	2	ADET
	NV608041	5310-99-972-1306	Fiberli Somun	Nyloc Nut	2	ADET
6	NTC4571	5310-99-957-4400	Fiberli Somun	Nyloc Nut	2	ADET
7	NRC7981	2540-99-720-9991	Amortisör Tespit Ayağı-Üst	Bracket Shock Absorber	2	ADET
8	14A00-80011-AA	5306-27-006-2688	Civata	Bolt (BH110221)	6	ADET
9	71A00-80303-AA	5310-99-135-4103	Rondela	Spring Washer	6	ADET
10	71A00-80326-AA	5310-27-006-2950	Pul	Plain Washer	6	ADET
11	12B07-80207-AA	5310-27-006-2770	Somun	Nut (NH110041)	6	ADET
12	NRC5602-L	2540-99-721-3478	İç Pul	Inner Retainer	2	ADET
13	NRC5603-L	2540-99-721-3479	Diş Pul	Outer Retainer	2	ADET
14	71A00-80233-AA	5310-27-006-2763	Fiberli Somun	Nyloc Nut (NY112041)	2	ADET
15	NRC6389-L	5360-99-839-5403	Arka Yay-Şöför Tarafı	Rear Spring-Divers	1	ADET
	NRC6904-L	5360-99-730-9616	Arka Yay-Yolcu Tarafı	Rear Spring-Passengers	1	ADET
16	NRC4317-L	5340-99-721-3483	Yay Alt Plakası	Spring Seat Lower	2	ADET
17	NRC4318-L	5340-99-721-3484	Yay Tespit Şeridi	Spring Retainer	2	ADET
18	11000-80034-AA	5306-27-006-2708	Civata	Screw (SH110251)	4	ADET
19	11000-80361-AA	5310-99-122-6476	Pul	Plain Washer	8	ADET
20	71A00-80303-AA	5310-99-135-4103	Rondela	Spring Washer	4	ADET

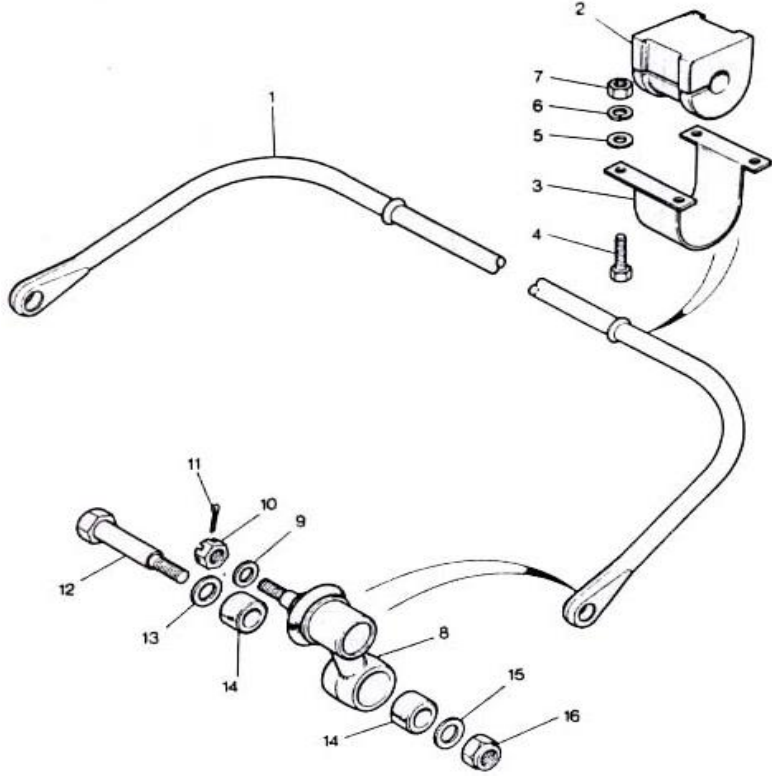
NOT1: Haziran 1991'e kadar  
NOT2: Haziran 1991'den itibaren.

## LAND ROVER 110 YEDEK PARÇALARI

4-33

## AKSLAR VE SÜSPANSİYON-AXLES AND SUSPENSION

**ARKA SÜSPANSİYON-VİRAJ ÇUBUĞU  
REAR SUSPENSION-ANTI ROLL BAR**



RES. NO	PARÇA NO	NATO STOK NO	MALZEMENİN ADI	MALZEMENİN YABANCI ADI	KOMP. MİK.	DAG. BİRİMİ
1	NRC6221	2530-99-730-3445	Viraj Çubuğu	Anti Roll Bar	1	ADET
2	NRC5674	5340-99-730-3446	Takoz	Bush-Anti Roll Bar	2	ADET
3	592773	5340-99-827-6558	Takoz Bağlama Braketi	Strap	2	ADET
4	11000-80017-AA	5306-27-006-2704	Civata	Screw (SH108251)	8	ADET
5	11000-80324-AA	5310-99-122-6475	Pul	Plain Washer	8	ADET
6	11000-80302-AA	5310-27-006-2928	Rondela	Spring Washer(WL108001)	8	ADET
7	71A00-80203-AA	5310-27-006-2774	Somun	Nut (NY108041)	8	ADET
8	NTC1888	2530-99-563-4954	Küresel Mafsal ve Kol Komple	Ball Joint And Link Assembly	2	ADET
9	71A00-80328-AA	5310-27-006-2951	Pul	Plain Washer	2	ADET
10	71A00-80214-AA	5310-99-135-9042	Taçlı Somun	Castle Nut (NC112041)	2	ADET
11	71A00-80439-AA	5315-99-138-2205	Kopilya	Split Pin (PS105251)	2	ADET
12	NRC6658	5306-99-730-3447	Pim	Pin-Anti Roll Bar	2	ADET
13	264024	5310-99-849-9919	Pul	Washer	2	ADET
14	552819-L	5340-99-809-1703	Takoz	Bush	2	ADET
15	11000-80368-AA	5310-99-755-2674	Pul	Plain Washer (WC116101)	2	ADET
16	14C05-80241-AA	5310-27-006-2762	Somun	Spire Nut (NY116041)	2	ADET

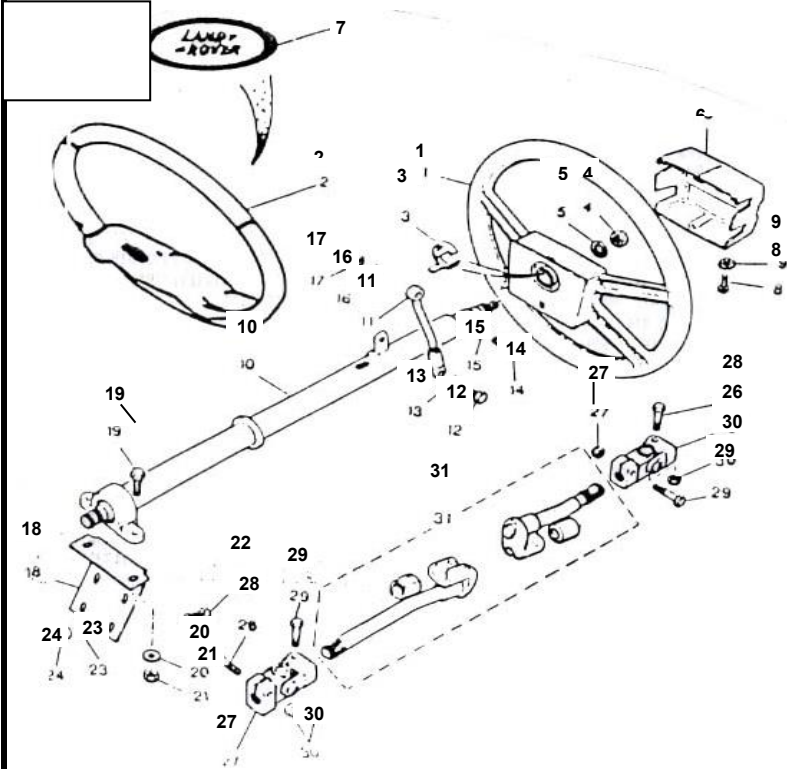
LAND ROVER 110 YEDEK PARÇALARI

5-1

DİREKSİYON-STEERING

DİREKSİYON  
STEERING

RES. NO	PARÇA NO	NATO STOK NO	MALZEMENİN ADI	MALZEMENİN YABANCI ADI	KOMP. MİK.	DAG. BİRİMİ
1	NRC5281-L	2530-99-729-2354	Direksiyon Simidi	Steering Wheel	1	ADET
2	NTC8847-LD	2530-99-983-9591	Direksiyon Simidi	Steering Wheel	1	ADET



3	NRC7636	2530-99-729-2949	Simit Vuruntu Burcu	Striker Ring-Steering Wheel	1	ADET
4	CRC0209-L		Somun	Nut	1	ADET
5	WE600081	5310-99-120-6062	Rondela	Spring Washer	1	ADET
6	NRC6747-L	2530-99-721-3507	Simit Kapağı	Hub Moulding	1	ADET
7	NTC8848-LD		Orta Kapak	Cap Centre	1	ADET
8	71A00-81327-AA	5305-99-306-3747	Civata	Screw (SE106121)	1	ADET
9	NK106081	5310-99-668-7687	Somun	Nut Grip	1	ADET
10	NRC7635	2530-99-721-3508	Direksiyon Mili-Üst	Steering Column-Upper	1	ADET
	NTC9068	2530-99-439-2249	Direksiyon Mili-Üst	Steering Column-Upper	1	ADET
11	NRC9711-LD	2530-99-254-7556	Mil Askısı	Tie Rod-Fixed	1	ADET
12	71A00-80033-AA	5306-99-122-5370	Civata	Screw (SH110161)	1	ADET
13	11000-80303-AA	5310-27-006-2929	Rondela	Spring Washer	1	ADET
14	11000-80038-AA	5306-27-006-2709	Civata	Screw (SH110301)	1	ADET
15	71A00-80327-AA	5310-99-122-6476	Pul	Plain Washer	1	ADET
16	11000-80303-AA	5310-27-006-2929	Rondela	Spring Washer	1	ADET
17	12B07-80207-AA	5310-27-006-2770	Somun	Nut (NH110041)	1	ADET
18	NRC7127-L	5340-99-075-8018	Mil Destek Sacı	Support-Steering Column	1	ADET
19	FB108251L	5306-99-599-0642	Civata	Screw	2	ADET

NOT1:Şasi No HA906578'e kadar  
 NOT2:şasi No JA906579'dan itibaren.  
 NOT3:Şasi No HA906988'e kadar.

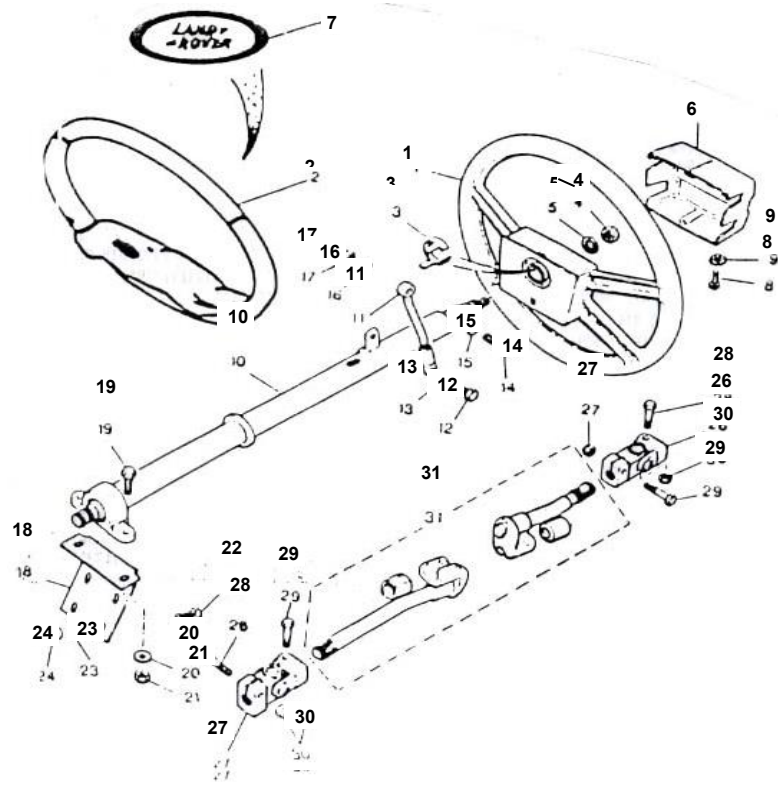
## LAND ROVER 110 YEDEK PARÇALARI

5-2

## DİREKSİYON-STEERING

### DİREKSİYON STEERING

RES. NO	PARÇA NO	NATO STOK NO	MALZEMENİN ADI	MALZEMENİN YABANCI ADI	KOMP. MİK.	DAG. BİRİMİ
20	71A00-80323-AA	5310-99-138-7965	Pul	Plain Washer	2	ADET
21	14C01-80243-AA	5310-27-006-2761	Fiberli Somun	Nyloc Nut (NY108041)	2	ADET
22	FB108251	5306-99-599-0642	Civata	Screw	4	ADET
23	71A00-80323-AA	5310-99-138-7965	Pul	Plain Washer	4	ADET
24	14C01-80243-AA	5310-27-006-2761	Fiberli Somun	Nyloc Nut (NY108041)	4	ADET



26	NRC7388		İstavroz Mafsal	Universal Joint	1	ADET
27	NRC7704	3010-99-825-6050	İstavroz Mafsal	Universal Joint	1	ADET
28	14C01-80135-AA	5305-99-122-5255	Civata	Screw (BH108091)	2	ADET
29	14C01-80135-AA	5305-99-122-5255	Civata	Bolt (BH108091)	2	ADET
30	14C01-80243-AA	5310-27-006-2761	Fiberli Somun	Nyloc Nut (NY108041)	4	ADET
31	RTC4738	2530-99-721-3511	Direksiyon Mili Komple	Steering Shaft Assembly	1	ADET
32	71A00-07005-AA		Direksiyon Mili Komple	Steering Shaft Assembly	1	ADET

NOT: Alternatif Direksiyon Mili 26'dan 31'ya kadaradır

## LAND ROVER 110 YEDEK PARÇALARI

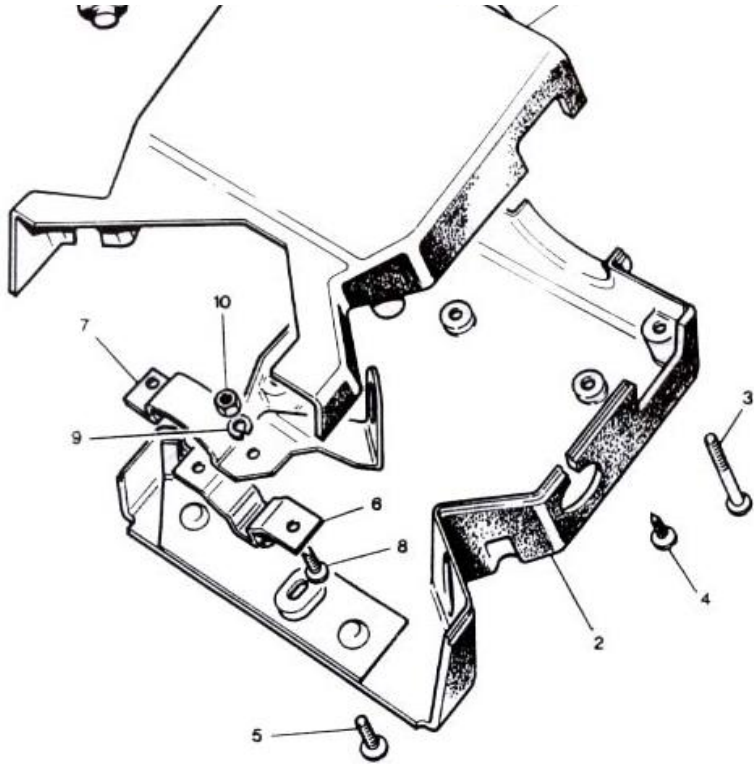
5-3

## DİREKSİYON-STEERING

### KORUMA KUTUSU STEERING COLUMN SHROUD

RES. NO	PARÇA NO	NATO STOK NO	MALZEMENİN ADI	MALZEMENİN YABANCI ADI	KOMP. MİK.	DAG. BİRİMİ
1	MTC3499	2530-99-721-3513	Koruma Kutusu Üst Yarısı	Shroud-Upper	1	ADET
2	MTC3801	2530-99-721-3514	Koruma Kutusu Alt Yarısı	Shroud-Lower	1	ADET
3	71A00-81326-AA	5305-99-135-0435	Civata	Screw (SE105401)	4	ADET
4	71A00-81340-AA	5305-99-809-0434	Vida	Drive Screw	2	ADET
5	11000-80009-AA	5306-27-006-2701	Civata	Screw (SE106251)	1	ADET
6	331083	5325-99-844-9501	Lastik Tapa	Grommet-Blanking	1	ADET





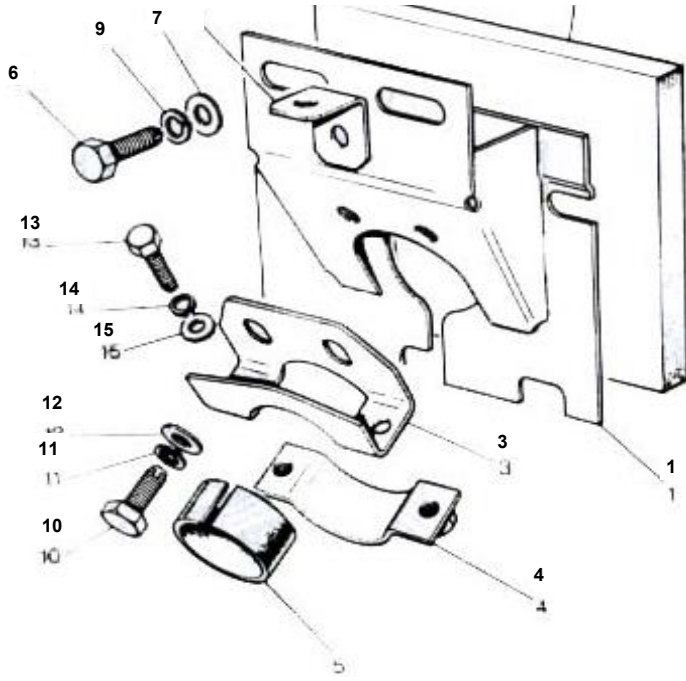
LAND ROVER 110 YEDEK PARÇALARI

5-4

DİREKSİYON-STEERING

DİREKSİYON ÜST MİLİ ÜST ASKISI  
COLUMN TOP SUPPORT

RES. NO	PARÇA NO	NATO STOK NO	MALZEMENİN ADI	MALZEMENİN YABANCI ADI	KOMP. Mik.	DAĞ. BİRİMİ
1	MTC1382	2590-99-301-7341	Askı Kutusu Komple	Support Bracket Assembly	1	ADET
2	MUC7000-L	5330-99-611-5335	Direksiyon Mili Keçesi	Seal-Steering Column	1	ADET
3	346722-L	2540-99-824-8007	Direksiyon Mili Kelepçesi Üst	Clamp-Top-Steering Column	1	ADET
4	MTC1078-L	5340-99-721-3517	Direksiyon Mili Kelepçesi Alt	Clamp-Lower-Steering Column	1	ADET
5	358747-L		Lastik Kuşak	Rubber Strip	1	ADET
6	11000-80017-AA	5306-27-006-2704	Civata	Screw (FS108251)	2	ADET
7	71A00-80324-AA	5310-99-122-6475	Pul	Plain Washer	1	ADET
8	MTC4771-L		Kablo Tespit Ayağı	Bracket-Dash Cable	1	ADET
9	11000-80302-AA	5310-27-006-2928	Rondela	Spring Washer(WL108001)	2	ADET



	NN108021	5310-66-128-4925	Rondela	Nutsert	2	ADET
11	71A00-80324-AA	5310-99-122-6475	Pul	Plain Washer	2	ADET
12	11000-80302-AA	5310-27-006-2928	Rondela	Spring Washer(WL108001)	2	ADET
13	GG106251L	5305-99-771-8383	Civata	Screw	2	ADET
14	11000-80301-AA	5310-27-006-2927	Rondela	Spring Washer	2	ADET
15	11000-80351-AA	5310-27-006-2934	Pul	Plain Washer	2	ADET

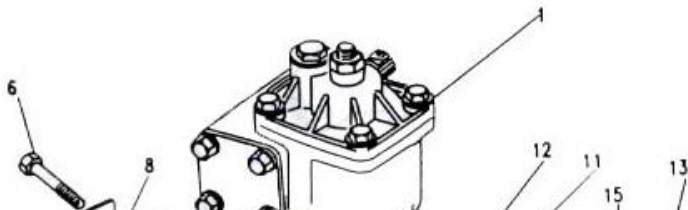
## LAND ROVER 110 YEDEK PARÇALARI

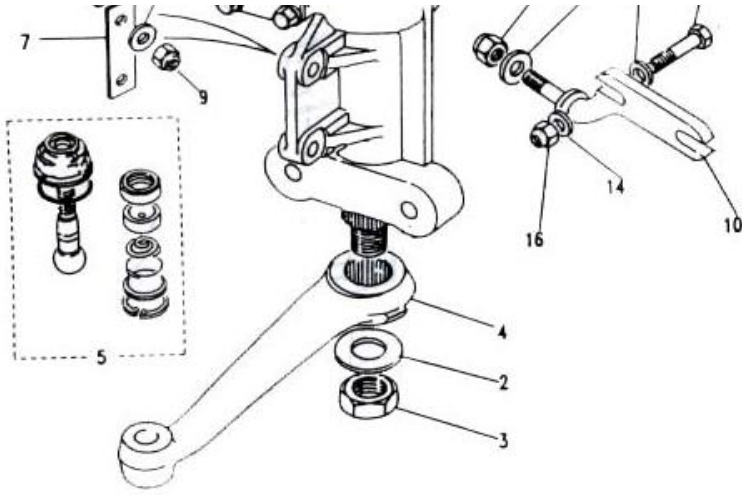
5-5

## DİREKSİYON-STEERING

### DİREKSİYON KUTUSU STEERING BOX

RES. NO	PARÇA NO	NATO STOK NO	MALZEMENİN ADI	MALZEMENİN YABANCI ADI	KOMP. Mik.	DAG. Birimi
1	NTC2591	2530-99-254-1053	Direksiyon Kutusu	Steering Box	1	ADET
2	AEU4025	5310-99-784-7052	Pul	Washer	1	ADET
3	AEU4026	5310-99-784-7053	Somun	Nut	1	ADET
4	RTC6399	2530-99-513-2473	Deveboynu	Droparm	1	ADET
5	AEU2761	2530-99-839-5437	Rotil Kiti	Ball Joint Kit	1	ADET
	RTC4198	2530-99-729-2349	Rotil Kiti	Ball Joint Kit	1	ADET
6	BH607381		Civata	Bolt	4	ADET
	BX112201	5306-66-128-5243	Civata	Bolt	4	ADET
7	572077-L	5365-99-138-0263	Sac Pul	Tab Washer	2	ADET
8	WA600071	5310-99-941-8636	Pul	Plain Washer	8	ADET
	71A00-80329-AA	5310-99-122-6477	Pul	Plain Washer (WA112081)	4	ADET
9	NY607041	5310-99-941-7650	Somun	Nut	4	ADET
10	594946	2530-99-771-6967	Bağlantı Kolu-SLD	Tie Bar-LHS	1	ADET
11	71A00-80341-AA	5310-27-006-2959	Pul	Plain Washer (4905)	1	ADET





12	252164	5310-99-943-4300	Somun	Nut	1	ADET
13	253963	5306-99-138-0261	Civata	Bolt	2	ADET
14	71A00-80338-AA	5310-27-006-2957	Pul	Plain Washer (217245)	2	ADET
15	71A00-80337-AA	5310-27-006-2956	Pul	Plain Washer (3261)	2	ADET
16	NY607041L	5310-99-941-7650	Fiberli Somun	Nyloc Nut	2	ADET

NOT1:Şasi no 322575'e kadar.  
NOT2:Şasi no 322576'dan sonra.

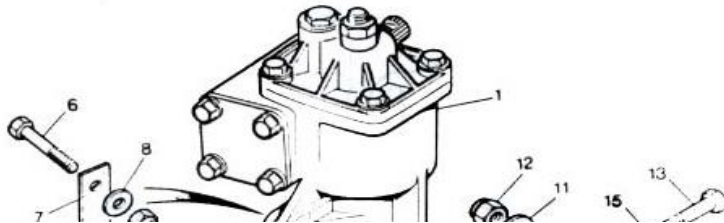
## LAND ROVER 110 YEDEK PARÇALARI

5-6

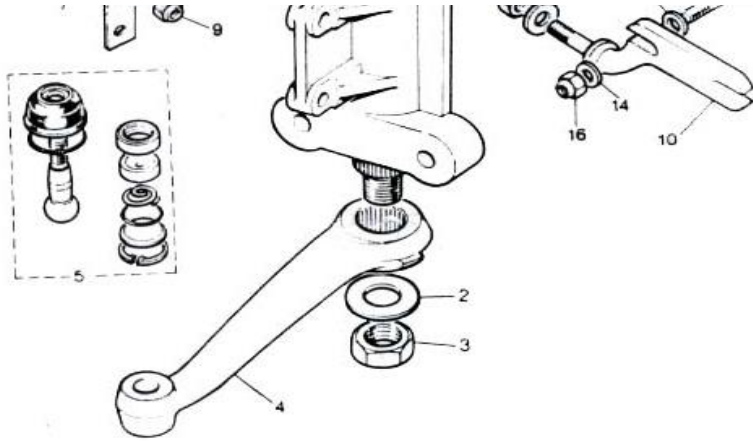
## DİREKSİYON-STEERING

### MEKANİK DİREKSİYON KUTUSU ADWEST MANUEL STEERING BOX

RES. NO	PARÇA NO	NATO STOK NO	MALZEMENİN ADI	MALZEMENİN YABANCI ADI	KOMP. MİK.	DAG. BİRİMİ
1	NTC8223	2530-99-096-2848	Direksiyon Kutusu	Steering Box	1	ADET
2	600265	5310-99-137-8241	Sac Pul	Washer Tab	1	ADET
3	NH614041		Somun	Nut	1	ADET
4	STC1045	2530-99-234-3203	Deveboynu	Drop Arm	1	ADET
5	RTC4168	2540-99-732-1025	Rotil Kiti	Kit Ball Joint	1	ADET
6	BX112201	5306-66-128-5243	Civata	Bolt	4	ADET
7	71A00-80329-AA	5310-99-122-6477	Pul	Plain Washer (WA112081)	4	ADET
8	572077-L	5365-99-138-0263	Sac Pul	Washer Tab	2	ADET
9	594946	2530-99-771-6967	Bağlantı Kolu	Tie Bar	1	ADET
10	71A00-80341-AA	5310-27-006-2959	Pul	Plain Washer (4905)	1	ADET
11	NY608041L	5310-99-943-4300	Somun	Nut	1	ADET
12	BH607161L		Civata	Bolt	2	ADET
13	71A00-80337-AA	5310-27-006-2956	Pul	Plain Washer (3261)	2	ADET
14	71A00-80338-AA	5310-27-006-2957	Pul	Plain Washer (217245)	2	ADET
15	NY607041L	5310-99-941-7650	Somun	Nut	2	ADET
	STC892	2530-99-316-3933	Direksiyon Kutusu Tamir Kiti	Kit Repair Steering Box	1	ADET







STC897		Pul Kitleri	Kit Filler Plug	1	ADET
--------	--	-------------	-----------------	---	------

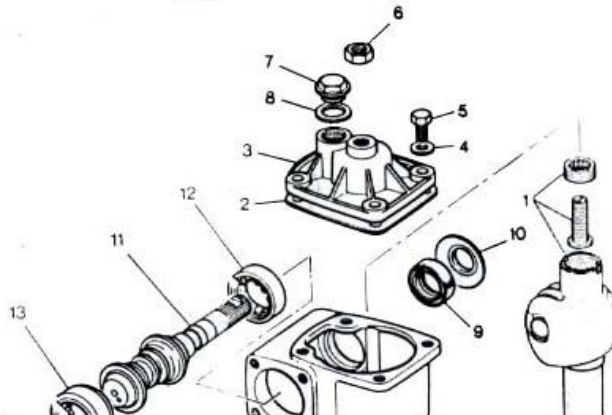
NOT:Bu sayfa şasi numarası JA920707'den itibaren geçerlidir.

## LAND ROVER 110 YEDEK PARÇALARI

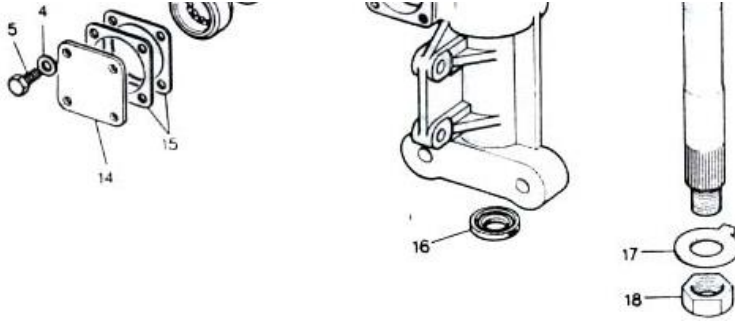
5-7

## DİREKSİYON-STEERING

### MEKANİK DİREKSİYON KUTUSU MANUEL STEERING BOX



RES. NO	PARÇA NO	NATO STOK NO	MALZEMENİN ADI	MALZEMENİN YABANCI ADI	KOMP. MİK.	DAG. BİRİMİ
1	RTC5909	2530-99-027-0959	Sektör Mili Komple	Rockershaft Assy	1	ADET
2	BAU4865	5330-99-784-7055	Kapak Contası	Seal-Cover Plate	1	ADET
3	AEU4013	2530-66-139-2013	Kapak Sacı Komple	Cover Plate-Assy	1	ADET
4	AEU4014		Civata	Screw	8	ADET
5	AEU4015		Pul	Washer	8	ADET
6	AEU4016		Somun	Nut	1	ADET
7	AEU4017	5365-99-784-7047	Doldurma Tapası	Filler Plug	1	ADET
8	AEU4018	5310-99-770-0151	Doldurma Tapa Keçesi	Seal-Filler Plug	1	ADET
9	BAU4870	5330-99-784-7049	Sonsuz Dişli Keçesi	Seal-Wormshaft	1	ADET
10	AEU4019	2530-99-784-7050	Toz Keçesi	Dust Seal	1	ADET
11	AEU4020	3040-99-564-2804	Sonsuz Dişli Komple	Wormshaft Assy	1	ADET
12	RTC6130	3110-99-551-1693	Rulmanlı Yatak Komple	Bearing Assembly	1	ADET
13	RTC6129	3110-99-932-7115	Rulmanlı Yatak Komple	Bearing Assembly	1	ADET
14	AEU4023	5340-99-818-0301	Sac Kapak	Cover Plate	1	ADET
15	BAU4871	2530-99-149-8258	Sim	Shim	1	ADET
16	AEU4024	5330-99-784-7051	Keçe	Seal	1	ADET
17	AEU4025	5310-99-784-7052	Sac Pul	Tab Washer	1	ADET
18	AEU4026	5310-99-784-7053	Somun	Nut	1	ADET
19	STC1055	3110-99-861-9519	İğne Rulman	Bearing Needle	2	ADET
	STC603	2530-99-149-8258	Conta Kiti	Seal Kit	1	ADET



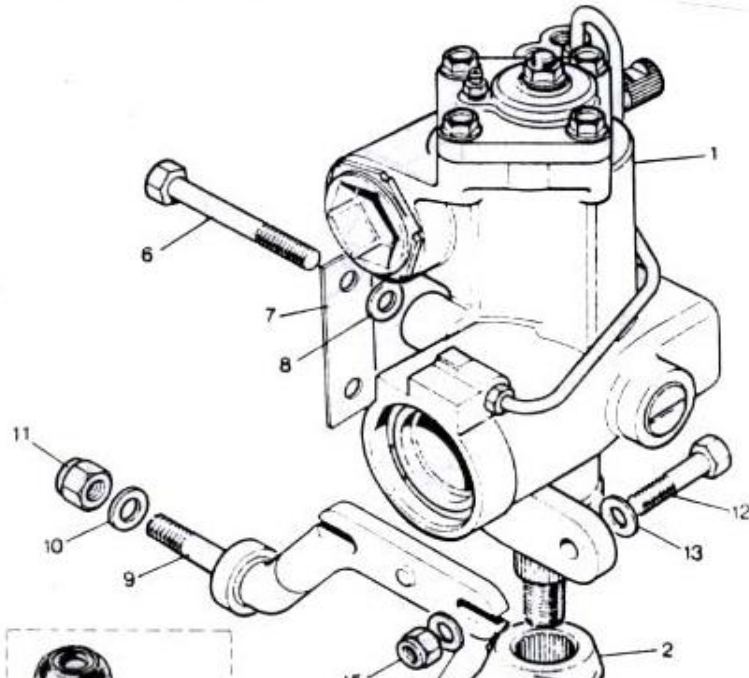
NOT1:STC603 Kitinin bir parçasıdır.  
NOT2:Gerektiği kadar.

### LAND ROVER 110 YEDEK PARÇALARI

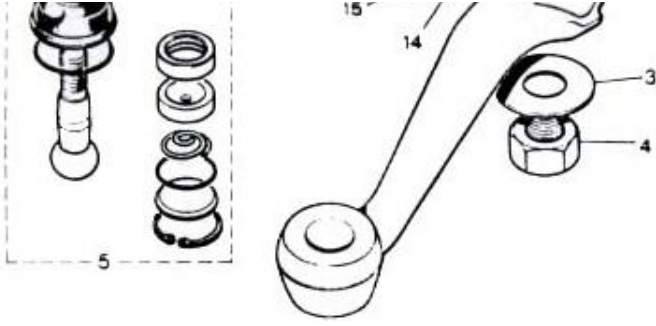
5-8

### DİREKSİYON-STEERING

### HİDROLİK DİREKSİYON KUTUSU-GEMMER POWER STEERING BOX



RES. NO	PARÇA NO	NATO STOK NO	MALZEMENİN ADI	MALZEMENİN YABANCI ADI	KOMP. Mik.	DAG. Birimi
1	NTC1583	2530-14-429-5828	Direksiyon Kutusu	Steering Box	1	ADET
2	RTC6399	2530-99-513-2473	Sektör Kolu	Drop Arm	1	ADET
3	AEU4025	5310-99-784-7052	Pul	Washer	1	ADET
4	AEU4026	5310-99-784-7053	Somun	Nut	1	ADET
5	RTC4198	2530-99-729-2349	Rotil Kiti	Ball Joint Kit	1	ADET
6	BX112201	5306-66-128-5243	Cıvata	Bolt	4	ADET
7	572077	5365-99-138-0263	Plaka Pul	Tab Washer	2	ADET
8	71A00-80329-AA	5310-99-122-6477	Pul	Plain Washer (WA112081)	4	ADET
9	594946	2530-99-771-6967	Bağlantı Kolu-SLD	Tie Bar-LHS	1	ADET
10	71A00-80341-AA	5310-27-006-2959	Pul	Plain Washer (4905)	1	ADET
11	NY608041	5310-99-943-4300	Somun	Nut	1	ADET
12	BY607161L		Cıvata	Bolt	2	ADET
13	71A00-80337-AA	5310-27-006-2956	Pul	Plain Washer (3261)	2	ADET
14	71A00-80338-AA	5310-27-006-2957	Pul	Plain Washer (217245)	2	ADET
15	NY607041L	5310-99-941-7650	Somun	Nut	2	ADET
	RTC5071	2530-99-793-5722	Conta Kiti	Seal Kit	1	ADET
	RTC5074	2530-99-793-5723	Rulmanlı Yatak Kiti	Bering Kit-Housing	1	ADET



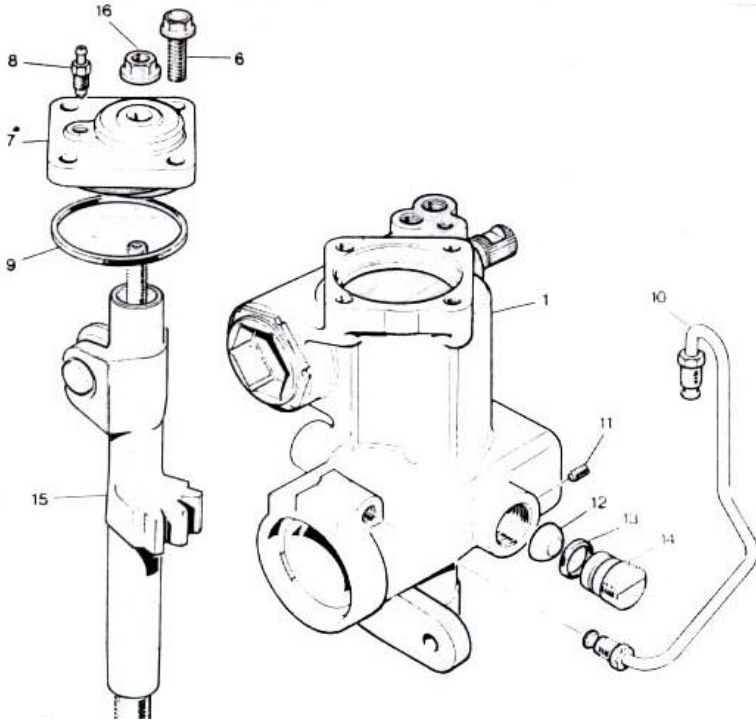
### LAND ROVER 110 YEDEK PARÇALARI

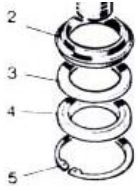
5-9

### DİREKSİYON-STEERING

#### HİDROLİK DİREKSİYON KUTUSU-MUHAFAZA-ADWEST POWER STEERING BOX-HOYSING-ADWEST

RES. NO	PARÇA NO	NATO STOK NO	MALZEMENİN ADI	MALZEMENİN YABANCI ADI	KOMP. MİK.	DAĞ. BİRİMİ
1	STC417		Muhafaza	Housing	1	ADET
2	608066	5330-66-128-8502	Conta	Seal	1	ADET
3	608068	5310-66-128-8504	Pul	Washer	1	ADET
4	608067	5330-66-128-8501	Conta	Seal	1	ADET
5	606551	5365-99-798-4786	Segman	Circlip	1	ADET
6	RTC4393	5305-99-722-1727	Cıvata	Screw	1	ADET
7	STC418		Kapak ve Bilya	Cover and Bearing	1	ADET
8	RTC4395	2530-99-722-1729	Gresörlük	Bleed	1	ADET
9	RTC4397		Conta	Seal	1	ADET
10	RTC4401	2530-99-722-1731	Boru	Pipe	1	ADET
11	110112		Cıvata	Screw	1	ADET
12	606544	2530-99-798-4790	Takoz	Pad	1	ADET
13	608065	5330-99-004-1015	Conta	Seal	1	ADET
14	606545	5305-99-728-9295	Ayar Cıvatası	Adjusting Screw	1	ADET
15	RTC4399		Sektör Mili	Sector Shaft	1	ADET
16	RTC4394	5310-99-722-1728	Somun	Nut	1	ADET
	STC876		Conta Kiti	Seal Kit	1	ADET
	STC1040	2530-99-301-6704	Conta Kiti	Seal Kit	1	ADET
	STC1042		Conta Kiti	Seal Kit	1	ADET





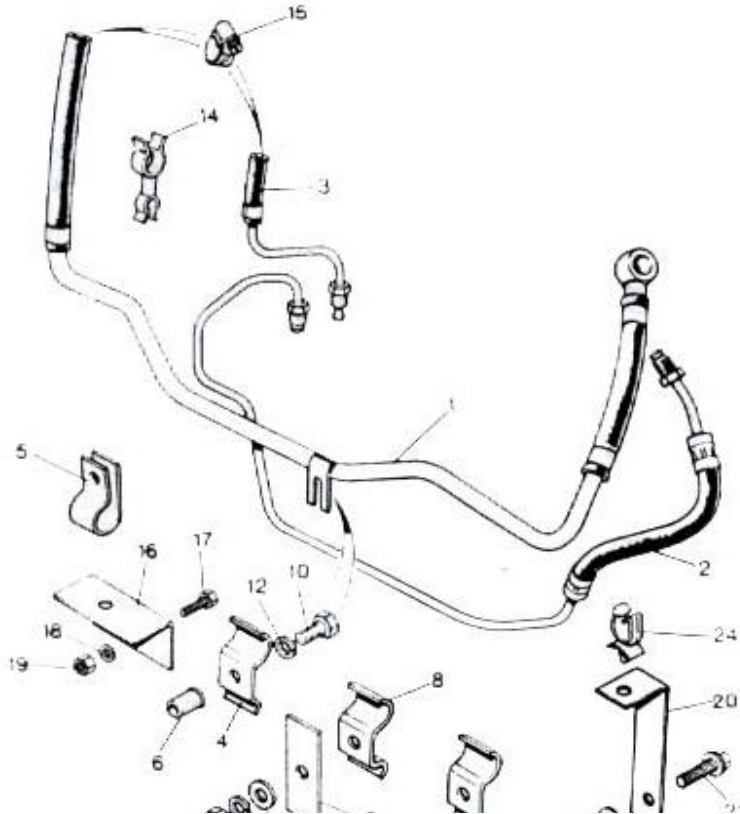
NOT1:STC876 kiti parçasıdır.  
NOT2:STC1042 kiti parçasıdır.

## LAND ROVER 110 YEDEK PARÇALARI

5-10

## DİREKSİYON-STEERING

### HİDROLİK DİREKSİYON KUTUSU BORULARI POWER STEERING BOX PIPES



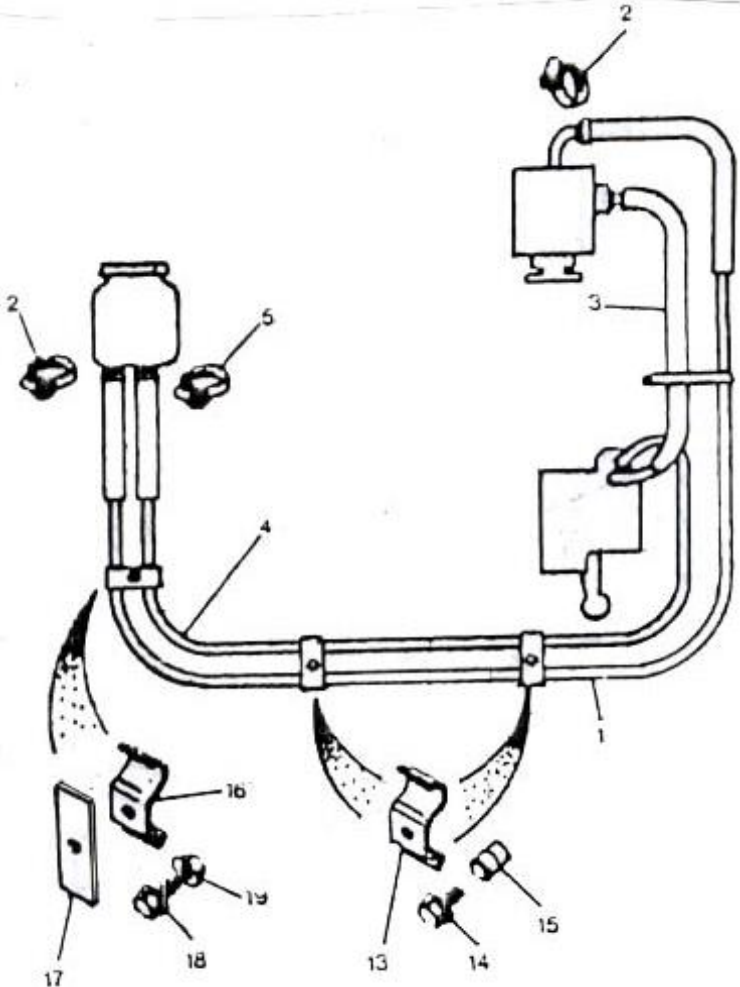
RES. NO	PARÇA NO	NATO STOK NO	MALZEMENİN ADI	MALZEMENİN YABANCI ADI	KOMP. MİK.	DAG. BİRİMİ
1	NTC1691		Boru-Depodan Pompaya	Pipe-Reservoir to Pump	1	ADET
	NTC6883		Boru-Depodan Pompaya	Pipe-Reservoir to Pump	1	ADET
2	NTC5000		Boru-Pompadan Direksiyon Kutusuna	Pipe-Pump to Steering Pump	1	ADET
	NTC6730		Boru-Pompadan Direksiyon Kutusuna	Pipe-Pump to Steering Pump	1	ADET
3	NTC8860	2530-99-771-6969	Boru-Direksiyon Kutusundan Depoya	Pipe-Steering Box to Reservoir	1	ADET
	RTC4825	5330-99-713-6165	O-Ring	O-Ring	1	ADET
5	NRC8408		Boru Kelepçesi		1	ADET
6	NN106011	5310-99-122-7704	Nutsert	Nutsert	2	ADET
7	NRC8404	5340-99-996-0224	Boru Kelepçesi-Traverse	Pipe Clip	2	ADET
8	NRC8404	5340-99-996-0224	Boru Kelepçesi-Traverse	Pipe Clip	1	ADET
9	NRC8405	5340-99-588-0864	Ara Parça	Plate	1	ADET
10	11000-80016-AA	5306-27-006-2703	Cıvata	Bolt	4	ADET
11	11000-80351-AA	5310-27-006-2934	Pul	Washer	1	ADET
12	11000-80301-AA	5310-27-006-2927	Rondela	Washer	1	ADET
13	71A00-80201-AA	5310-27-006-2772	Somun	Nut	1	ADET
14	ADU9081		Boru Kelepçesi	Pipe Clip	1	ADET
15	CN100258-LD	4730-99-533-2960	Kelepçe	Clamp Hose	2	ADET
	CN100208-L	4730-99-152-4901	Kelepçe	Clamp Hose	1	ADET
16	NTC7224		Destek Braketi	Bracket Support	1	ADET
17	71A00-80082-AA	5306-27-006-2714	Cıvata	Bolt	2	ADET
18	71A00-80298-AA		Pul	Plain Washer	2	ADET
19	71A00-80228-AA		Somun	Nut	2	ADET

NOT:Şasi No JA918809'a kadar.  
NOT1:Şasi No FA388915'e kadar.  
NOT2:Şasi No FA388916'dan itibaren.  
NOT3:Şasi No FA389107'ye kadar.  
NOT4: Şasi No FA 389808'den itibaren.



## LAND ROVER 110 YEDEK PARÇALARI

### HİDROLİK DİREKSİYON KUTUSU BORULARI POWER STEERING BOX PIPES



## LAND ROVER 110 YEDEK PARÇALARI

## 5-11

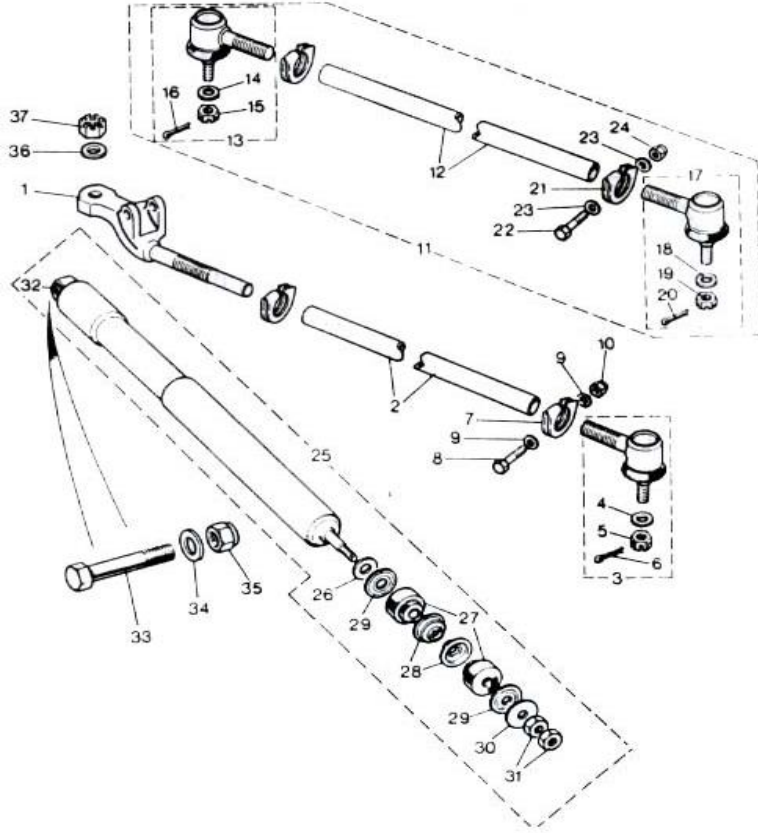
## DİREKSİYON-STEERING

RES. NO	PARÇA NO	NATO STOK NO	MALZEMENİN ADI	MALZEMENİN YABANCI ADI	KOMP. MİK.	DAG. BİRİMİ
1	NTC9073		Boru-Depodan Pompaya	Pipe-Reservoir to Pump	1	ADET
2	CN100258-LD	4730-99-533-2960	Hortum Kelepçesi	Clip Hose	2	ADET
3	NTC9704		Boru-Pompadan Direksiyon Kutusuna	Pipe-Pump to Steering Box	1	ADET
4	NTC8860	2530-99-771-6969	Boru Direksiyon Kutusundan Depoya	Pipe-Steering to Reservoir	1	ADET
5	CN100208	4730-99-152-4901	Hortum Kelepçesi	Clip Hose	1	ADET
6	NTC3791		Boru Kelepçesi	Clip Pipe	1	ADET
7	11000-80007-AA	5306-27-006-2699	Cıvata	Screw	1	ADET
8	71A00-80203-AA	5310-27-006-2774	Somun	Nut	1	ADET
9	NTC8263		Destek Braketi	Bracket Support	1	ADET
13	NRC6302		Kelepçe	Clip	2	ADET
14	11000-80007-AA	5306-27-006-2699	Cıvata	Screw	2	ADET
15	NN106021	5310-99-138-4838	Somun	Nut	2	ADET
16	NRC6302		Kelepçe	Clip	1	ADET
17	NRC8405	5340-99-588-0864	Ara Parça	Plate	1	ADET
18	FS106181		Cıvata	Screw	1	ADET
19	71A00-80201-AA	5310-27-006-2772	Somun	Nut	1	ADET

## 5-12

## DİREKSİYON-STEERING

## DİREKSİYON ROTLARI



RES. NO	PARÇA NO	NATO STOK NO	MALZEMENİN ADI	MALZEMENİN YABANCI ADI	KOMP. MİK.	DAG. BİRİMİ
1	NRC8232	2530-99-797-7069	Kısa Rot Şasi Bağlantısı	Crossed Eye End	1	ADET
2	NRC9741	4720-99-780-2202	Kısa Rot Borusu	Crossed Tube	1	ADET
3	RTC5869	2530-99-738-0279	ROT BAŞI TAKIMI-SAĞ	BAAL JOINT KIT-RH	1	ADET
4	71A00-80328-AA	5310-27-006-2951	Pul	Plain Washer (WC112081)	2	ADET
5	71A00-80214-AA	5310-99-135-9042	Taçlı Somun	Castle Nut (NC112041)	2	ADET
6	71A00-80426-AA	5315-27-006-2977	Kopilya	Split Pin (PS105321)	1	ADET
7	577898	2530-99-813-0203	Kelepçe	Clip	4	ADET
8	BH604151L	5306-99-464-7113	Civata	Bolt	4	ADET
9	11000-80351-AA	5310-27-006-2934	Pul	Plain Washer (WA106041)	8	ADET
10	NY604041L	5310-99-941-3524	Fiberli Somun	Nyloc Nut	4	ADET
11	NRC9743	2530-99-978-2185	UZUN ROT-KOMPLE	TRACK ROD ASSEMBLY	1	ADET
12	NRC9742	2530-99-729-3011	Uzun Rot Borusu	Track Rod Tube	1	ADET
13	RTC5869	2530-99-738-0279	ROT BAŞI TAKIMI-SAĞ	BALL JOINT KIT-RH	1	ADET
14	71A00-80328-AA	5310-27-006-2951	Pul	Plain Washer (WC112081)	1	ADET
15	71A00-80214-AA	5310-99-135-9042	Taçlı Somun	Castle Nut (NC112041)	1	ADET

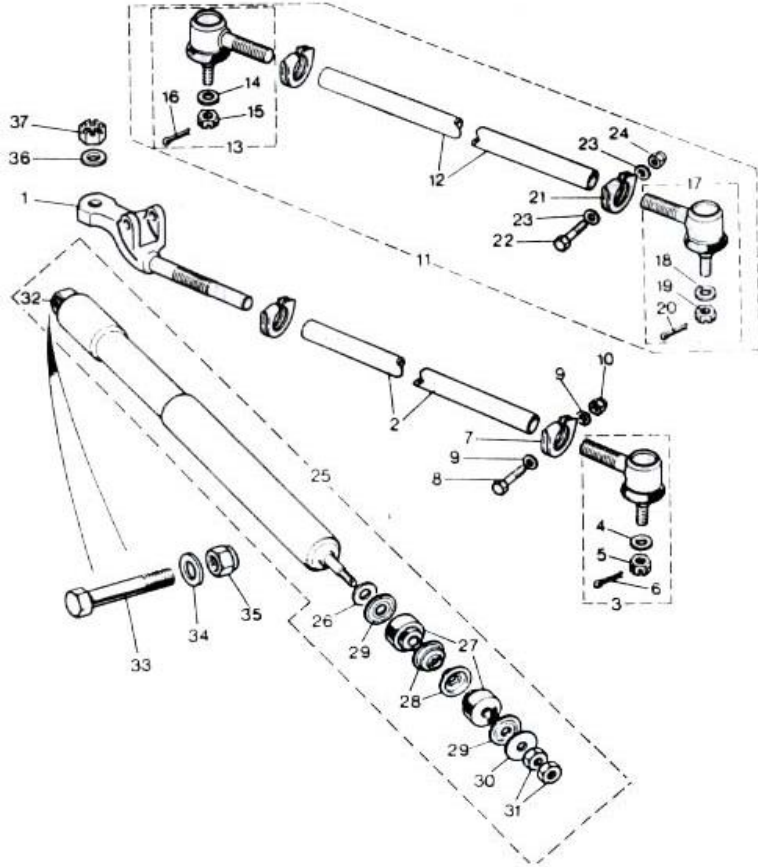
## LAND ROVER 110 YEDEK PARÇALARI

5-13

## DİREKSİYON-STEERING

## DİREKSİYON ROTLARI STEERING TRACKS RODS

RES. NO	PARÇA NO	NATO STOK NO	MALZEMENİN ADI	MALZEMENİN YABANCI ADI	KOMP. MİK.	DAG. BİRİMİ
16	71A00-80426-AA	5315-27-006-2977	Kopilya	Split Pin (PS105321)	1	ADET
17	RTC5870	2530-99-839-5440	Rot Başı Takımı-Sol	Ball Joint Kit-LH	1	ADET
18	71A00-80328-AA	5310-27-006-2951	Pul	Plain Washer	1	ADET
19	71A00-80214-AA	5310-99-135-9042	Yaylı Somun	Castle Nut (NC112041)	1	ADET
20	71A00-80426-AA	5315-27-006-2977	Kopilya	Split Pin (PS105321)	1	ADET



21	577898	2530-99-813-0203	Kelepçe	Clip	2	ADET
22	BH604151	5306-99-127-7116	Civata	Bolt	4	ADET
23	11000-80351-AA	5310-27-006-2934	Pul	Plain Washer	8	ADET
24	NY604041L	5310-99-941-3524	Fiberli Somun	Nyloc Nut	4	ADET
25	71A00-07518-AA	2510-27-005-9897	Direksiyon Amortisörü Komple	Steering Damper Assy	1	ADET
33	14A00-80009-AA	5306-27-006-2687	Civata	Bolt (BH110121)	1	ADET
34	71A00-80327-AA	5310-99-122-6476	Pul	Plain Washer	1	ADET
35	12B00-80224-AA	5310-27-006-2760	Fiberli Somun	Nyloc Nut (NY110041)	1	ADET
36	71A00-80328-AA	5310-27-006-2951	Pul	Plain Washer	1	ADET
37	71A00-80214-AA	5310-99-135-9042	Taçlı Somun	Castle Nut (NC112041)	1	ADET

## LAND ROVER 110 YEDEK PARÇALARI

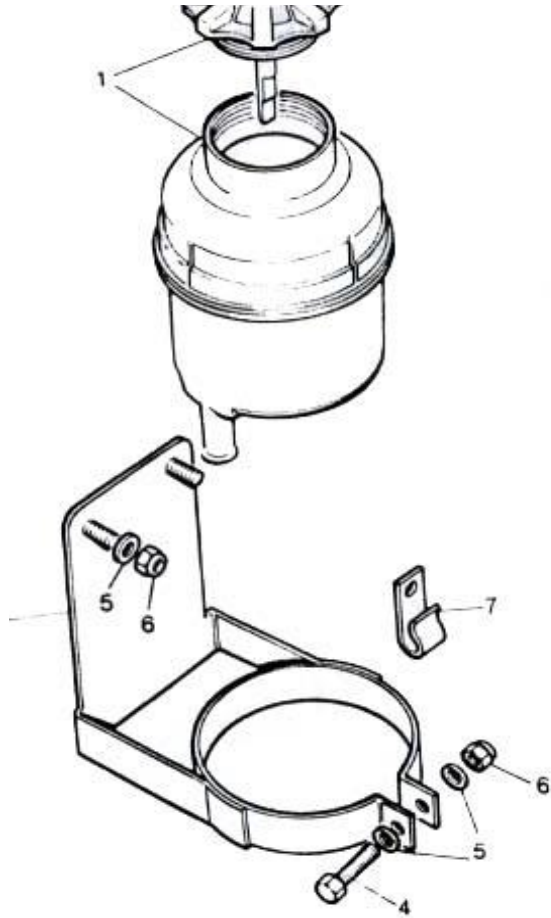
5-14

## DİREKSİYON-STEERING

### HİDROLİK DEPOSU RESERVOİR-POWER STEERING



RES. NO	PARÇA NO	NATO STOK NO	MALZEMENİN ADI	MALZEMENİN YABANCI ADI	KOMP. MİK.	DAG. BİRİMİ
1	NTC1791	2530-99-978-2518	Hidrolik Borusu	Reservoir-Power Steering	1	ADET
2	NTC2723		Kapak	Cap	1	ADET
3	NTC2749	2530-99-793-4446	Braket	Carrier Bracket	1	ADET
4	11000-80009-AA	5306-27-006-2701	Civata M6x25	Screw M6x25 (SH106251)	1	ADET
5	11000-80351-AA	5310-27-006-2934	Pul	Plain Washer	4	ADET
6	71A00-80211-AA	5310-99-138-8423	Somun	Nut (NY106041)	3	ADET
7	NRC2383	5340-99-360-4111	P Klip	'P' Klip	1	ADET



LAND ROVER 110 YEDEK PARÇALARI

5-15

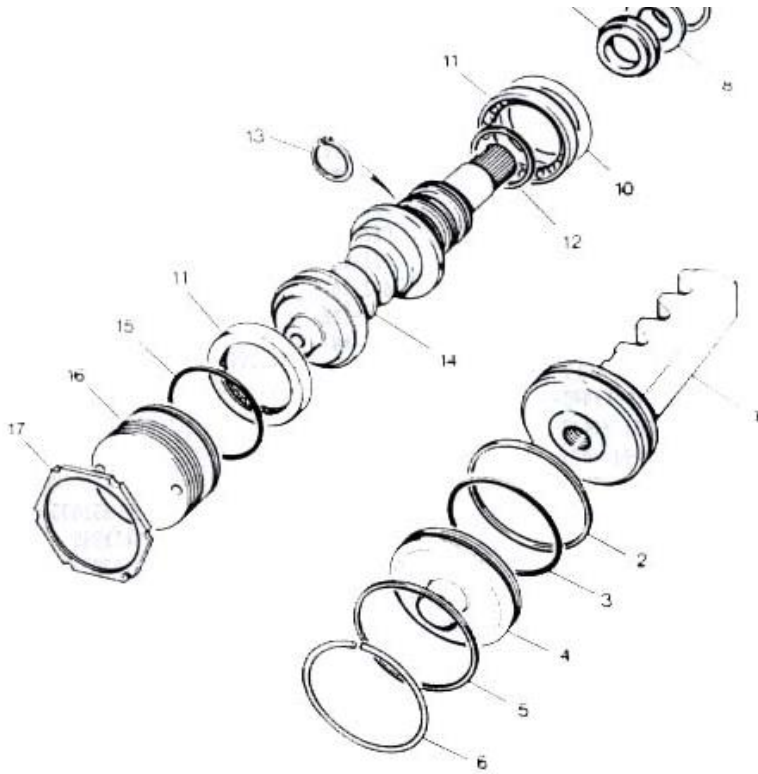
DİREKSİYON-STEERING

TAKVİYELİ DİREKSİYON KUTUSU-PİSTON  
POWER STEERING BOX-PİSTON

RES. NO	PARÇA NO	NATO STOK NO	MALZEMENİN ADI	MALZEMENİN YABANCI ADI	KOMP. Mik.	DAĞ. Birimi
1	RTC4402		Piston	Piston	1	ADET
2			Halka Conta	Ring Teflon	1	ADET
3			O Ring	O Ring	1	ADET
4	RTC4403		Kapak	Cover	1	ADET
5			Conta	Seal	1	ADET
6	RTC4404		Segman	Ring Retaining	1	ADET
7			Segman	Circlip	1	ADET
8			Pul	Washer	1	ADET
9	AEU1248		Conta-Rotor	Seal-Rotor	1	ADET
10	RTC4410		Sim	Shim	1	ADET







11	RTC4409	3110-66-139-0102	Rulman	Bearing	2	ADET
12	608000		Halka Conta	Ring Teflon	3	ADET
13	607567		Segman	Circlip	1	ADET
14	RTC4406		Piston ve Subap	Worm and Valve	1	ADET
15			Conta	Seal	1	ADET
16	RTC4407		Civata	Screw	1	ADET
17	RTC4408		Somun	Nut	1	ADET
	STC876		Conta Kiti	Seal Kit	1	ADET
	STC1041	2530-99-967-9617	Conta Kiti	Seal Kit	1	ADET

NOT1:STC876 kiti parçasıdır.  
NOT2:STC1041 kiti parçasıdır.

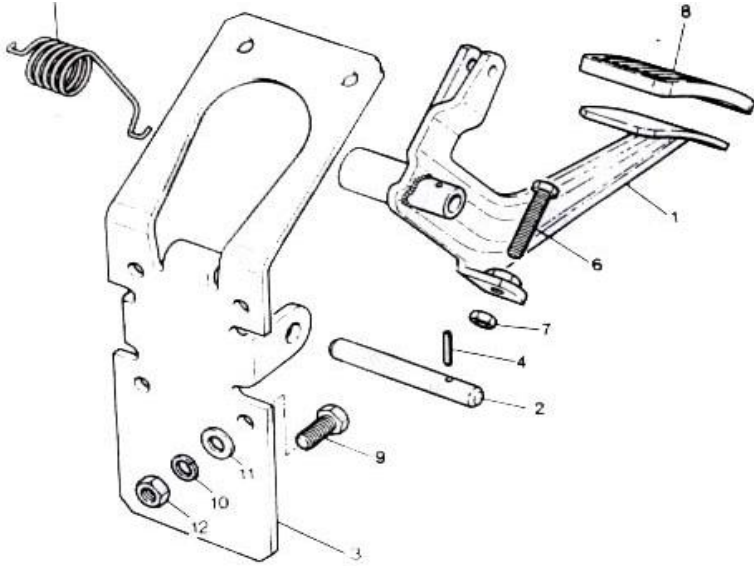
## LAND ROVER 110 YEDEK PARÇALARI

6-1

## MOTOR KUMANDALARI-ENGINE CONTROLS

### GAZ PEDALI ACCELERATOR PEDAL

RES. NO	PARÇA NO	NATO STOK NO	MALZEMENİN ADI	MALZEMENİN YABANCI ADI	KOMP. MİK.	DAG. BİRİMİ
1	NRC7827-L	2540-99-721-3519	Gaz Pedalı	Accelator Pedal	1	ADET
	NRC9171-LD	2530-27-006-2848	Gaz Pedalı	Accelator Pedal	1	ADET
2	NRC4475-L	5315-99-721-3521	Mil-Gaz Pedalı	Shaft-Accelerator Pedal	1	ADET
3	NRC5220-L	2540-99-721-3520	Montaj Sacı	Mounting Bracket	1	ADET
4	PA105161-L	5315-99-083-0751	Yaylı Pim	Spring Pin	1	ADET
5	NRC9121-L	5360-99-721-3523	Gaz Pedalı Yay	Spring-Accelerator Pedal	1	ADET
6	SH106451L	5305-99-204-5084	Civata	Screw	1	ADET
7	NH605041L	5310-99-136-1515	Somun	Nut	1	ADET
8	11H1781-LD	2540-99-830-2777	Pedal Lastiği	Rubber Pad-Pedal	1	ADET
9	11000-80007-AA	5306-27-006-2699	Civata	Screw (SH106161)	6	ADET
10	11000-80301-AA	5310-27-006-2927	Rondela	Spring Washer	6	ADET



11	11000-80351-AA	5310-27-006-2934	Pul	Plain Washer	6	ADET
12	71A00-80201-AA	5310-27-006-2772	Somun	Nut (NH106041)	6	ADET

NOT1:Aralık 1989'a kadar.  
NOT2:Aralık 1989'dan itibaren.

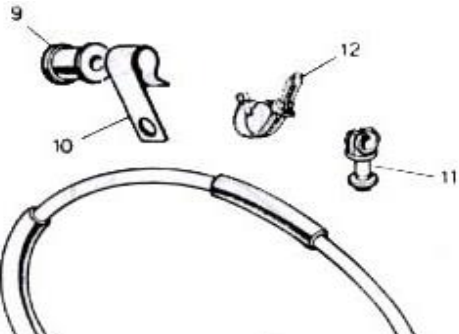
### LAND ROVER 110 YEDEK PARÇALARI

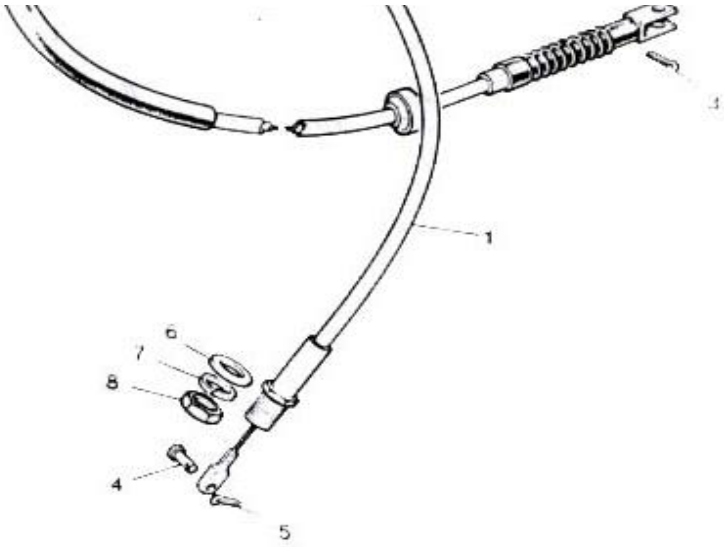
6-2

### MOTOR KUMANDALARI-ENGINE CONTROLS

#### GAZ TELİ

RES. NO	PARÇA NO	NATO STOK NO	MALZEMENİN ADI	MALZEMENİN YABANCI ADI	KOMP. MİK.	DAG. BİRİMİ
1	NTC3459-L		Gaz Teli-Benzinli	Accelerator Cable-Petrol	1	ADET
	NTC3459-LD		Gaz Teli-Benzinli	Accelerator Cable-Petrol	1	ADET
	NTC3396-LD	2590-99-774-9241	Gaz Teli-Dizel	Accelerator Cable-Diesel	1	ADET
2	NRC5502-L	5315-99-722-6367	Başlıklı Pim	Clevis Pin	1	ADET
3	71A00-80434-AA	5315-99-138-2200	Kopilya	Split Pin (PS103081)	1	ADET
	PS603041	5315-66-128-5248	Kopilya	Split Pin	1	ADET
4	NRC5502-L	5315-99-722-6367	Başlıklı Pim	Clevis Pin	1	ADET
5	71A00-80434-AA	5315-99-138-2200	Kopilya	Split Pin (PS103081)	1	ADET
6	71A00-80329-AA	5310-99-122-6477	Pul	Plain Washer(WA112081)	1	ADET
7	WF112001-L	5310-99-977-4932	Rondela	Spring Washer	1	ADET
8	71A00-80255-AA	5310-27-006-2779	Somun	Nut(NT112041)	1	ADET
9	6860-L	5325-99-849-9408	Gromet	Gromet	1	ADET
10	AFU1077	5340-99-980-8122	Kelepçe	Clip	1	ADET
11	79121	5935-99-824-3464	Kelepçe	Clip	1	ADET
12	AAU3686	5975-99-787-7254	Şerit Kelepçe	Cable Strap	1	ADET





NOT1:Haziran 1992'den önce  
 NOT2:Haziran 1992'den itibaren.  
 NOT3:Şasi No HA455645'e kadar.  
 NOT4:Şasi No HA455646'dan itibaren  
 NOT5:Şasi No HA901219'a kadar.  
 NOT6:Şasi No HA901222'den itibaren

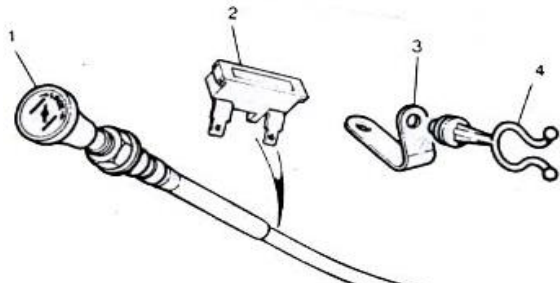
### LAND ROVER 110 YEDEK PARÇALARI

6-3

### MOTOR KUMANDALARI-ENGINE CONTROLS

#### JİKLE ÇEKME TELİ KOMPLE CHOKE CONTROL CABLE

RES. NO	PARÇA NO	NATO STOK NO	MALZEMENİN ADI	MALZEMENİN YABANCI ADI	KOMP. MİK.	DAG. BİRİMİ
1	NTC1385		Jikle Çekme Teli Komple	Choke Control Cable	1	ADET
2	RTC5816	5930-99-838-5609	Anahtar-Jikle Teli	Switch-Choke Cable	1	ADET
3	NRC8333	5340-99-254-7540	Braket	Bracket	1	ADET
4	NRC8332	5340-99-741-2060	Kelepçe	Kable-Clip	1	ADET





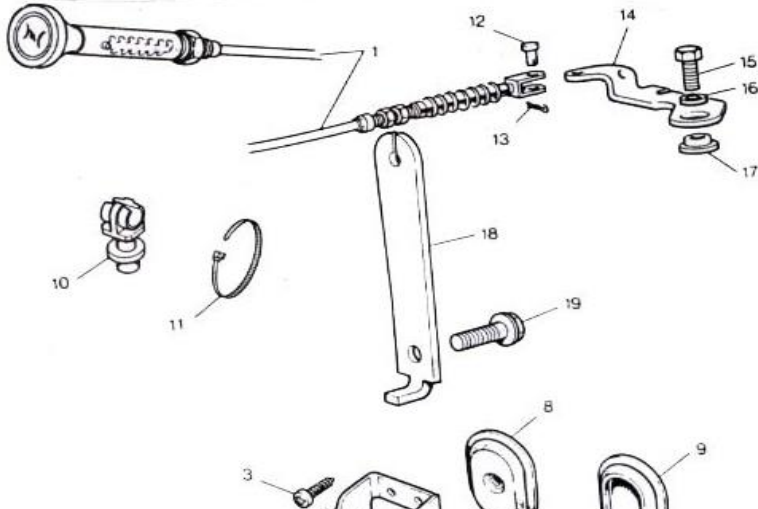
## LAND ROVER 110 YEDEK PARÇALARI

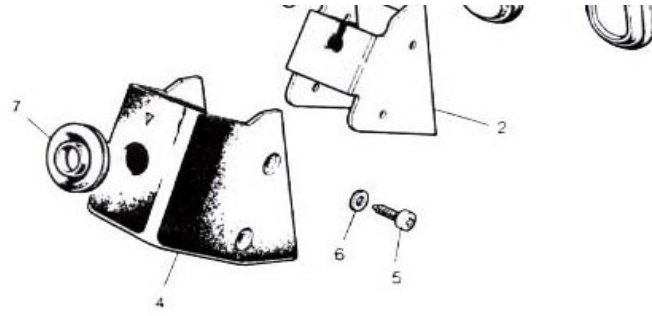
6-4

## MOTOR KUMANDALARI-ENGINE CONTROLS

### EL GAZI TELİ

RES. NO	PARÇA NO	NATO STOK NO	MALZEMENİN ADI	MALZEMENİN YABANCI ADI	KOMP. MİK.	DAG. BİRİMİ
1	NRC8560	2910-99-720-8141	El Gazi Teli-4 Silindir Benzinli	Hand Throttle Control Cable-4 Cyl.Pet.	1	ADET
	NTC3483	2540-99-791-5536	El Gazi Teli-4 Silindir Dizel	Hand Throttle Control Cable-4 Cyl.Die.	1	ADET
	NTC8553	2990-99-517-8524	El Gazi Teli-4 Silindir Dizel	Hand Throttle Control Cable-4 Cyl.Die.	1	ADET
2	NTC8734		Bağlantı Braketi	Mounting Bracket	1	ADET
3	71A00-81348-AA	5305-99-941-8363	Civata	Screw(AB610041)	4	ADET
4	MTC3611	2590-99-788-8171	Kapak-Gaz Teli	Cover-Hand Throttle	1	ADET
5	71A00-81340-AA	5305-99-809-0434	Civata	Screw(AB608031)	2	ADET
6	71A00-80310-AA	5310-27-006-2944	Pul	Plain Washer	2	ADET
7	531689	5325-99-408-2874	Gromet-El Gazi Teli Kapağı	Grommet-Hand Throttle Cover	1	ADET
8	NRC6799	5325-99-741-2059	Kablo Grometi	Grommet-Cable	1	ADET
9	MTC1650-L	5340-99-774-6796	Körletme Tapası	Blanking Plug	1	ADET
11	UKC6684-L		Şerit Kelepçe	Cable Tie	1	ADET
12	562481	5315-99-824-6606	Başlıklı Pim	Clevis Pin	1	ADET
13	PS102081	5315-99-870-5420	Pim	Split Pin	1	ADET
	PS603041	5315-66-128-5248	Pim	Split Pin	1	ADET
14	NTC8011	3040-99-052-0787	Manivela Kolu	Lever	1	ADET
15	11000-80007-AA	5306-27-006-2699	Vida	Screw(SH106161)	1	ADET
16	71A00-80318-AA	5310-27-006-2946	Düz Pul	Plain Washer	1	ADET
17	NTC7240		Burç	Bush	1	ADET
18	NTC7097		Tutucu Braket	Abutment Bracket	1	ADET





19	FS108251	5305-99-230-0092	Vida	Screw	1	ADET
----	----------	------------------	------	-------	---	------

NOT1:Şasi No 456346'ya kadar.  
NOT2:Şasi No 456347'den sonra.

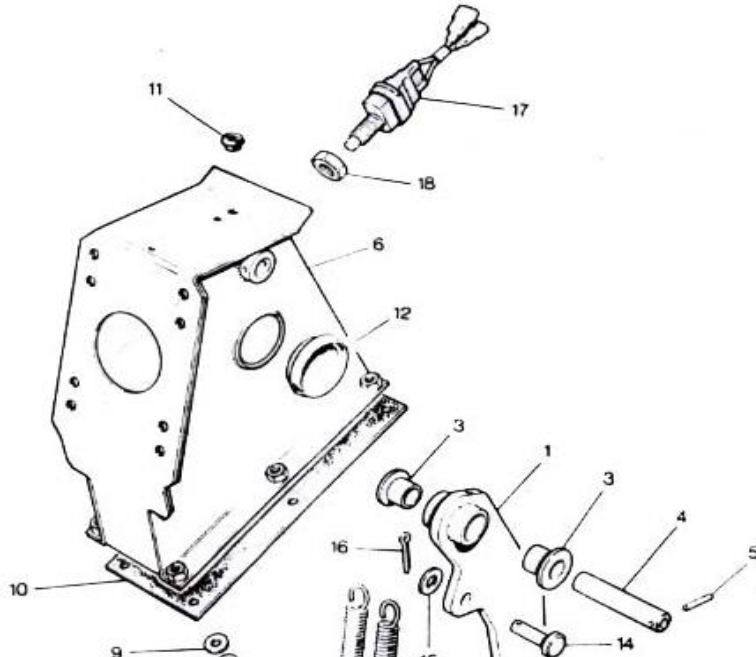
### LAND ROVER 110 YEDEK PARÇALARI

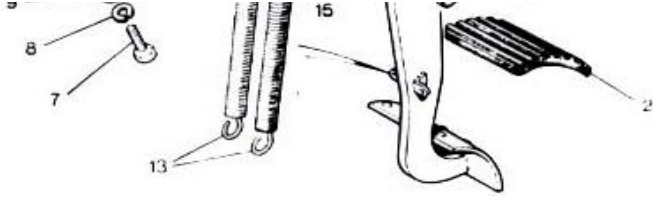
6-5

### MOTOR KUMANDALARI-ENGINE CONTROLS

#### FREN PEDALI BRAKE PEDAL

RES. NO	PARÇA NO	NATO STOK NO	MALZEMENİN ADI	MALZEMENİN YABANCI ADI	KOMP. Mik.	DAG. Birimi
1	NTC1077-L	2530-99-729-2950	Fren Pedalı	Brake Pedal	1	ADET
2	61K738-LD	2520-99-874-1494	Pedal Lastiği	Pedal Pad-Rubber	1	ADET
3	564816-L	3120-99-819-1851	Fren Pedal Burcu	Bush-Brake Pedal	2	ADET
4	564813-L	2540-99-824-2742	Pedal Mili	Pedal Shaft	1	ADET
5	50446-L	5315-99-849-9637	Pim	Pin	1	ADET
6	NRC6058-LD	2590-99-784-1893	Pedal Kutusu Komple	Pedal Box Assembly	1	ADET
	NRC7933		Pedal Kutusu Komple	Pedal Box Assembly	1	ADET
	NTC1139-LD		Pedal Kutusu Komple	Pedal Box Assembly	1	ADET
	NTC7934-LD	2530-27-006-2857	Pedal Kutusu Komple	Pedal Box Assembly	1	ADET
7	GG108251L	5305-99-741-7926	Civata	Screw-Paint Clearing	6	ADET
8	11000-80302-AA	5310-27-006-2928	Rondela	Spring Washer	6	ADET
9	71A00-80324-AA	5310-99-122-6475	Pul	Plain Washer	6	ADET
10	MUC7506-LD	5330-99-790-2927	Conta-Kutu Göğüs Arası	Gasket-Pedal Box to Dash	1	ADET
11	338013	5340-99-810-8172	Tapa	Plug-Sealing	1	ADET
12	AFU2627	5340-99-788-7536	Tapa	Plug-Sealing	2	ADET
13	569291-LD	5360-99-824-2748	Geri Getiren Yay	Spring-Pedal Return	2	ADET
	NRC7869-L	4720-99-741-2061	Yay Kılıfı	Sleeve-Return Spring	1	ADET
	NRC7870-LD	2510-27-006-2846	Yay Komple-Fren Pedalı	Spring Assembly-Brake Pedal	2	ADET
	NRC7868-L	5360-27-006-8263	Yay	Spring	1	ADET





NOT1:Şasi No HA901219'a kadar.  
 NOT2:Şasi No HA901220'den sonra.  
 NOT3:Şasi No HA901219'dan 1991 yılına kadar.  
 NOT4:1991 yılından itibaren

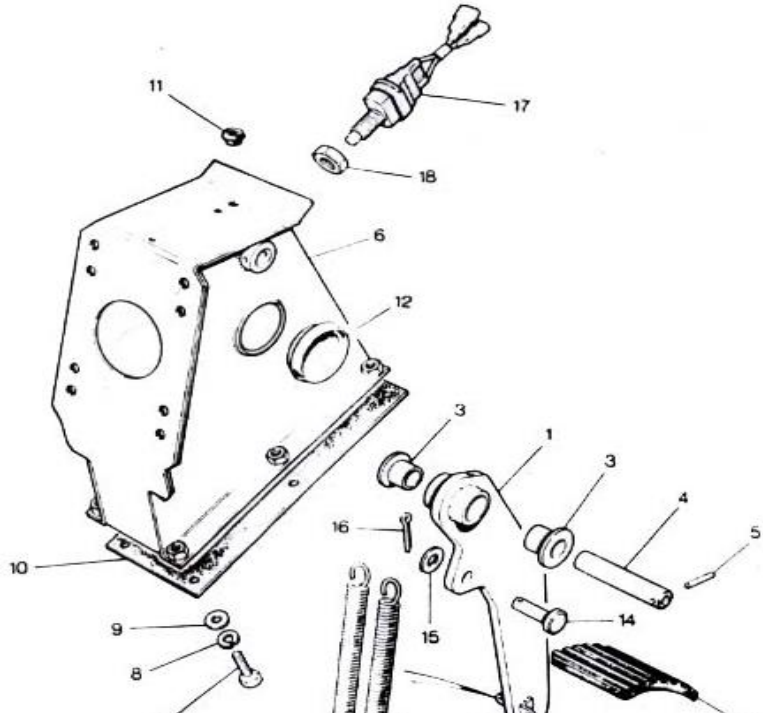
### LAND ROVER 110 YEDEK PARÇALARI

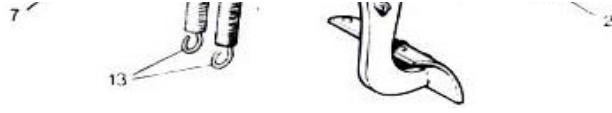
6-6

### MOTOR KUMANDALARI-ENGINE CONTROLS

#### FREN PEDALI BRAKE PEDAL

RES. NO	PARÇA NO	NATO STOK NO	MALZEMENİN ADI	MALZEMENİN YABANCI ADI	KOMP. MİK.	DAG. BİRİMİ
14	NRC4665	5315-99-722-6368	Başlıklı Pim	Clevis Pin	1	ADET
	PC112291-L	5315-99-808-7511	Başlıklı Pim	Clevis Pin	1	ADET
15	71A00-80329-AA	5310-99-122-6477	Pul	Plain Washer (WA112081)	1	ADET
16	14C01-80432-AA	5315-27-006-2976	Kupilya	Split Pin (PS106201)	1	ADET
17	71A00-36310-AA	5930-99-797-8645	Fren Müşiri	Switch-Brakelamps (PRC4297)	1	ADET
18	71A00-36312-AA	5310-99-830-3153	Müşir Somunu	Nut (BMK1903)	1	ADET
	NRC9169	5330-99-741-2062	Conta-Pedal Kutusu ile Servo	Sealing Strip	1	ADET
	NRC9233	5330-99-741-2063	Tozluk Halk.-Kutu-Servo Arası	Sealant Ring	1	ADET
	NTC5017	5330-99-517-2899	Tozluk Halk.-Kutu-Servo Arası	Sealant Ring	1	ADET





NOT1:Şasi No HA901219'a kadar.  
 NOT2:Şasi No HA901220'den sonra.  
 NOT3:Şasi No HA901219'dan 1991 yılına kadar.  
 NOT4:1991 yılından itibaren  
 NOT5:Temmuz 1989'dan itibaren.

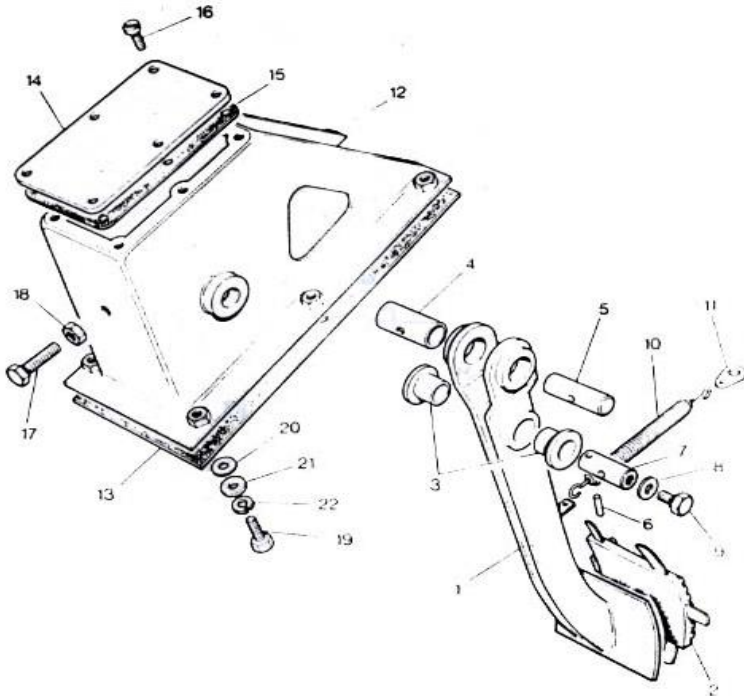
## LAND ROVER 110 YEDEK PARÇALARI

6-7

## MOTOR KUMANDALARI-ENGINE CONTROLS

### DEBRİYAJ PEDALI VE PEDAL KUTUSU CLUTCH PEDAL AND PEDAL BOX

RES. NO	PARÇA NO	NATO STOK NO	MALZEMENİN ADI	MALZEMENİN YABANCI ADI	KOMP. MİK.	DAĞ. BİRİMİ
1	NTC1112-L	2520-99-729-2952	Debriyaj Pedalı	Clutch Pedal	1	ADET
	NTC1097-LD	2530-27-006-2849	Debriyaj Pedalı	Clutch Pedal	1	ADET
2	61K738-LD	2520-99-874-1494	Pedal Lastiği	Pedal Pad-Rubber	1	ADET
3	272714-L	3120-99-849-9647	Pedal Burcu	Bush-Clutch Pedal	2	ADET
4	269783-L	5365-99-849-9642	Burç	Bush	1	ADET
5	568883-L	5315-99-808-4986	Pedal Mili	Trunnion	1	ADET
6	50446-L	5315-99-849-9637	Pim	Pin	1	ADET
7	272712-LD	3040-99-849-9645	Pedal Mili	Pivot Pin	1	ADET
10	569701-L	5360-99-810-2137	Geri Getirme Yayı	Return Spring	1	ADET
	NRC7869-L	4720-99-741-2061	Kılıf-Geri Getirme Yayı	Sleeve-Return Spring	1	ADET
11	240708-L	5340-99-895-1855	Yay Kanca Sacı	Anchor Plate-Spring	1	ADET
12	272632-LD	2530-99-849-9644	Pedal Kutusu	Pedal Box	1	ADET
13	MUC7505-L	5330-99-702-1418	Pedal Kutusu Contası	Gasket-Pedal Box to Dash	1	ADET
14	272713-L	5340-99-849-9646	Pedal Kutusu Üst Sacı	Top Cover-Pedal Box	1	ADET
15	272819-L	5330-99-849-9651	Conta-Üst Kapak	Gasket-Top Cover	1	ADET
16	78227	5305-99-124-8910	Sac Vidası	Drive Screw	6	ADET
17	SH604081-L	5305-99-941-0280	Civata	Bolt	1	ADET
18	NH604041-L	5310-99-804-7941	Somun	Nut	1	ADET
19	GG605081	5305-99-788-8098	Civata	Bolt	6	ADET
20	RTC610	5310-99-941-8623	Pul	Plain Washer	5	ADET
21	4594L	5310-99-137-1107	Pul	Plain Washer	1	ADET
22	71A00-80316-AA	5310-99-941-6655	Rondela	Spring Washer (WM600051)	6	ADET



NOT1:12.1989 tarihinden önce  
NOT2:12.1989 tarihinden itibaren.

## LAND ROVER 110 YEDEK PARÇALARI

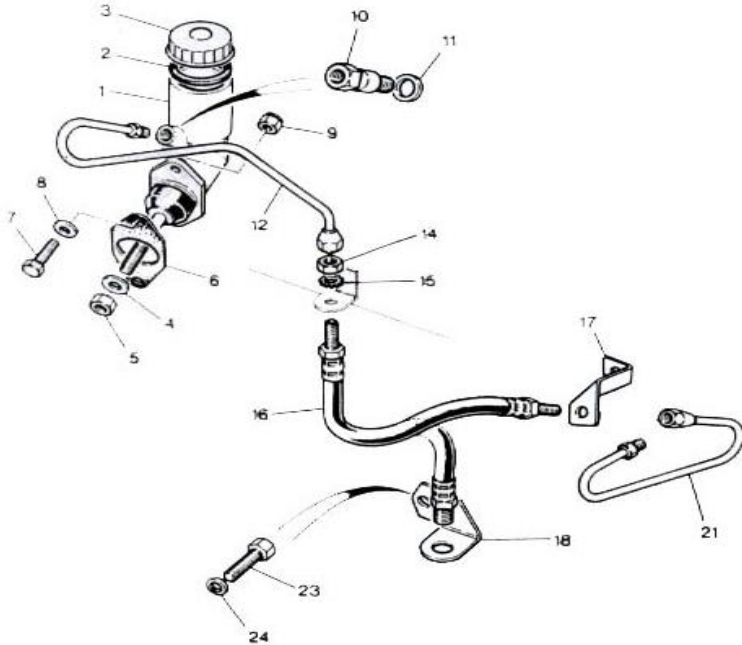
6-8

## MOTOR KUMANDALARI-ENGINE CONTROLS

### DEBRİYAJ ANA MERKEZ VE BORULARI

RES. NO	PARÇA NO	NATO STOK NO	MALZEMENİN ADI	MALZEMENİN YABANCI ADI	KOMP. MİK.	DAG. BİRİMİ
1	550732	2530-99-809-1064	Debriyaj Ana Merkezi	Clutch Master Cylinder	1	ADET
2	264767	5310-99-836-5178	Kapak Contası	Sealing Washer	1	ADET
3	500201	2530-99-811-1090	Kapak	Cap	1	ADET
	STC976	2530-99-786-8608	Kapak	Cap	1	ADET
	8G8837 L	2530-99-824-0663	Ana Merkez Tamir Takımı	Repair Kit-Master Cylinder	1	ADET
4	NT605041L	5310-99-136-1526	İnce Somun	Thin Nut	2	ADET
5	NY605041L	5310-99-941-3525	Fiberli Somun	Nyloc Nut	1	ADET
6	592358-LD	5330-99-822-1909	Merkez Taban Contası	Gasket-Cylinder to Dash	1	ADET
7	11000-80020-AA	5305-99-122-5253	Civata	Bolt (BH108061)	2	ADET
8	71A00-80324-AA	5310-99-122-6475	Pul	Plain Washer	4	ADET
9	14C01-80243-AA	5310-27-006-2761	Fiberli Somun	Nyloc Nut (NY108041)	2	ADET
10	512650-L	4730-99-836-5244	Adaptör	Adaptor	1	ADET
11	71A00-80370-AA	5310-27-006-2967	Adaptör Contası	Gasket Adaptor (233220)	1	ADET
12	NRC8329-L	4710-99-792-8150	Ana Merkez Çıkış Borusu	Pipe-Master Cylinder to Hose	1	ADET
14	NT607041L	5310-99-136-1528	Somun	Nut	2	ADET
15	WF600071L		Tırtıllı Pul	Shakeproof Washer	2	ADET
16	RTC4425	2520-99-729-2953	Hortum	Clutch Hose	1	ADET
17	NRC7441	5340-99-254-7515	Braket	Bracket	1	ADET
21	NRC9595	4710-99-792-8151	Alt Merkez Borusu	Pipe-Hose to Slave Cylinder	1	ADET
23	BH506161L	5306-99-941-1554	Civata	Bolt	1	ADET
24	71A00-80353-AA	5310-27-006-2932	Rondela	Spring Washer (WM600061)	1	ADET

NOT1:Şasi No KA926149'a kadar.  
NOT2:Şasi No KA926150'den itibaren.

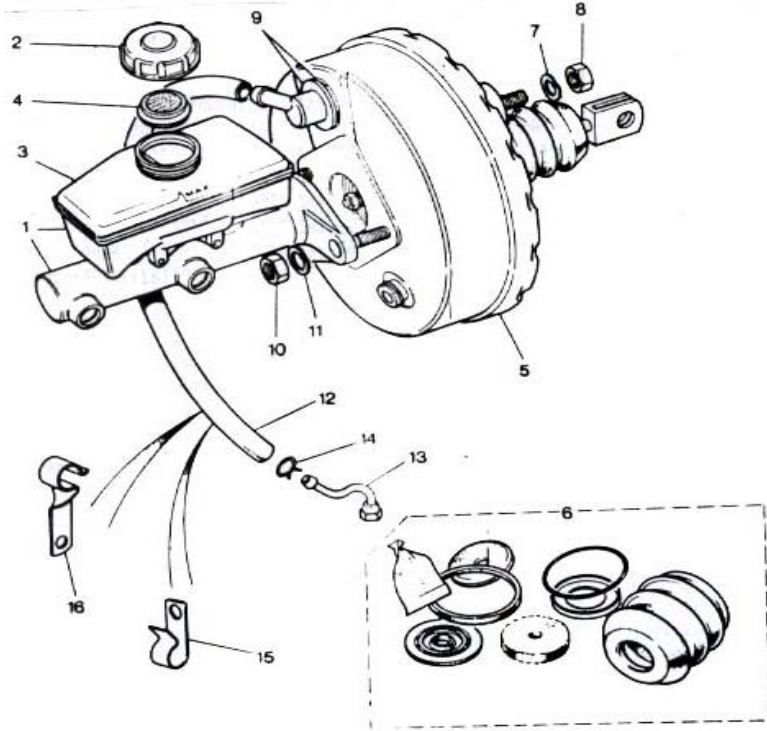




## LAND ROVER 110 YEDEK PARÇALARI

7-1

## FRENLER-BRAKES

ANA MERKEZ VE SERVO  
MASTER CYLINDER AND SERVO

RES. NO	PARÇA NO	NATO STOK NO	MALZEMENİN ADI	MALZEMENİN YABANCI ADI	KOMP. MİK.	DAG. BİRİMİ
1	NRC8690	2530-99-786-7624	Ana Merkez	Brake Master Cylinder	1	ADET
2	RTC4428	2530-99-786-8608	Ana Merkez Kapağı	Cap Master Cylinder	1	ADET
3	AEU1045	2530-99-786-8607	Yağ Deposu Takımı	Fluid Reservoir Kit	1	ADET
	AEU1044	5315-99-548-1290	Sac Pim	Roll Pin	2	ADET
	AEU3015	2530-99-839-5409	Ana Merkez Tamir Kiti	Repair Kit Master Cylinder	1	ADET
4	592324	2530-99-822-5047	Yağ Süzgeci	Filter Fluid Reservoir	1	ADET
	AEU1891	5330-99-721-3538	Ana Merkez Servo Çantası	Seal Master Cylinder to Servo	1	ADET
5	NRC4775	2530-99-149-2443	Sevo Komle-Tip 50	Servo Assembly-Type 50	1	ADET
	NRC4772	2530-99-721-3539	Sevo Komle-Tip 80	Servo Assembly-Type 80	1	ADET
6	18G8951L	2530-99-828-4741	Servo Tamir Takımı-Tip 50	Kit Servo Dual Brakes-Type 50	1	ADET
	AEU2741	2530-99-839-5410	Servo Tamir Takımı-Tip 80	Kit Servo Dual Brakes-Type 80	1	ADET
7	11000-80302-AA	5310-27-006-2928	Rondela	Spring Washer	4	ADET

NOT1:Geri Dönüş Vslfi Merkeze Göre Sağ Altta  
 NOT2:Geri Dönüş Valfi Merkeze Göre Sol Üstte.  
 NOT:Şasi No HA901219'a kadar.

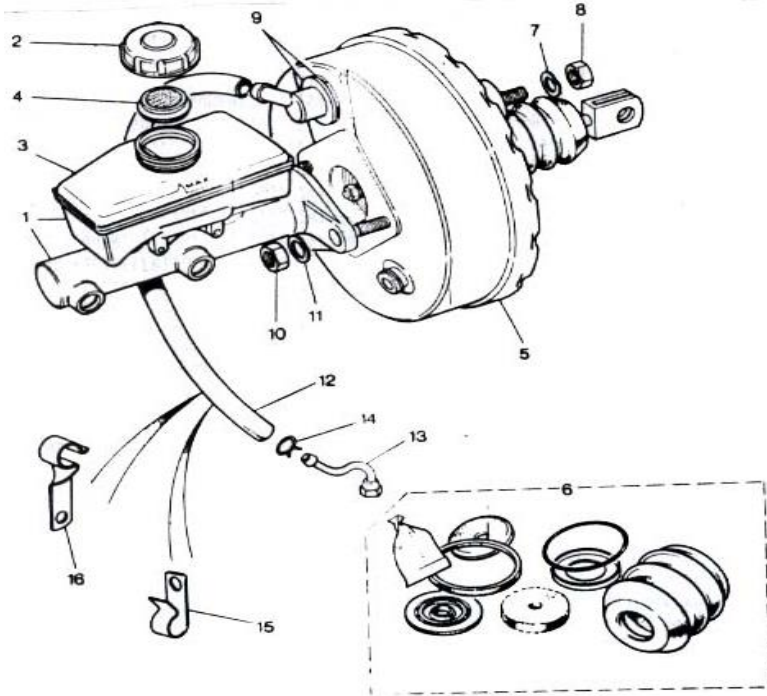
## LAND ROVER 110 YEDEK PARÇALARI

7-2

## FRENLER-BRAKES

ANA MERKEZ VE SERVO  
MASTER CYLINDER AND SERVO-CONTINUED

RES. NO	PARÇA NO	NATO STOK NO	MALZEMENİN ADI	MALZEMENİN YABANCI ADI	KOMP. MİK.	DAG. BİRİMİ
8	71A00-80203-AA	5310-27-006-2774	Somun	Nut (NH108041)	4	ADET



9	18G8953 L		Tek Yön Valf Takımı	Kit Non Return Valve	1	ADET
10	12B07-80207-AA	5310-27-006-2770	Somun	Nut (NH110041)	2	ADET
11	11000-80303-AA	5310-27-006-2929	Rondela	Spring Washer (WL11001)	2	ADET
12	CRC2126-L		Vakum Hortumu-Dizel	Vacuum Hose-Diesel	1	ADET
	CRC2131-L	4720-99-772-5383	Hortum-Servo ile Manifold Arası	Hose-Servo to Manifold	1	ADET
	NTC3372-L		Vakum Hortumu-Dizel	Vacuum Hose-Diesel	1	ADET
	CRC2127-L		Vakum Hortumu-Benzinli	Vacuum Hose-Petrol	1	ADET
	CRC2128-L		Vakum Hortumu-Benzinli	Vacuum Hose-Petrol	1	ADET
13	569714	4710-99-824-3021	Boru-Vakum Adaptor-Benzin	Pipe-Vacuum Adaptor-Petrol	1	ADET
14	572548	4730-99-823-2381	Yaylı Kelepçe	Corbin Clip	2	ADET
	CS600244	4730-99-721-3536	Kelepçe-Dizel	Clamp Hose-Diesel	2	ADET
	568680	5340-99-195-5122	Kablo-Dizel	Cable-Diesel	3	ADET
15	240407	5340-99-849-9958	Klip-Servo Hortumu-Benzin	Clip-Servo Hose-Petrol	1	ADET
	CS600244	4730-99-721-3536	Kelepçe-Dizel	Clamp-Diesel	2	ADET
	568680	5340-99-195-5122	Kablo-Dizel	Cable-Diesel	3	ADET

NOT1:Nisan 1990'a kadar  
 NOT2:Nisan 1990'dan itibaren  
 NOT3:Mayıs 1992'den itibaren.  
 NOT4:Şubat 1991'e kadar.

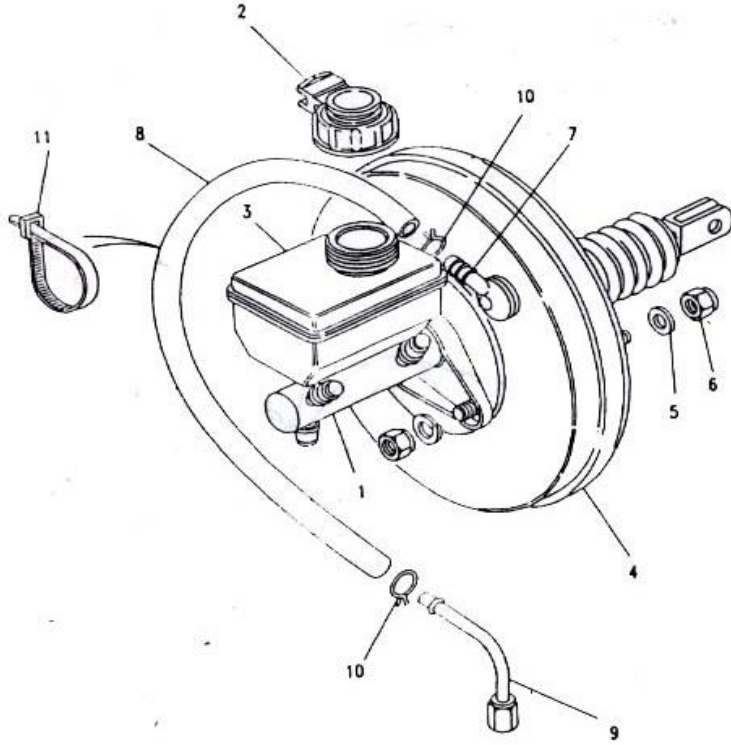
### LAND ROVER 110 YEDEK PARÇALARI

7-3

### FRENLER-BRAKES

#### ANA MERKEZ VE SERVO

RES. NO	PARÇA NO	NATO STOK NO	MALZEMENİN ADI	MALZEMENİN YABANCI ADI	KOMP. MİK.	DAĞ. BİRİMİ
1	STC441	2530-99-533-9660	Fren Ana Merkezi	Master Cylinder Brake	1	ADET
2	NTC4414	2530-99-617-3240	Ana Merkez Kapağı	Cap Master Cylinder	1	ADET
3	STC492	2530-99-851-0359	Hidrolik Deposu Tamir Kiti	Kit Fluid Reservoir	1	ADET
	STC491	2530-99-398-0507	Ana Merkez Tamir Kiti	Kit Master Cylinder	1	ADET



4	STC442	2530-99-934-6351	Servo Komple	Servo Assembly	1	ADET
5	71A00-80324-AA	5310-99-122-6475	Düz Pul	Plain Washer	4	ADET
6	14C01-80243-AA	5310-27-006-2761	Fiberli Somun	Nut Nyloc(NY108041)	4	ADET
7	STC493	4820-99-127-4678	Tek Yönlü Valf	Valve Non Return	1	ADET
8	CRC2131-L	4720-99-772-5383	Vakum Hortumu	Vacuum Hose	1	ADET
	NTC3372-L		Vakum Hortumu	Vacuum Hose	1	ADET
9	NRC6192	4710-99-824-3021	Boru Adaptörü	Adaptor Pipe	1	ADET
10	572548	4730-99-823-2381	Hortum Kelepçesi	Clamp Hose	2	ADET
11	568680	5340-99-195-5122	Kablo Kelepçesi	Cable Tie	3	ADET
12	240407	5340-99-849-9958	Hortum Klipi	Clip Hose	1	ADET

NOT:Şasi No HA901220'den itibaren.  
 NOT1:Servo kompleinin tamir kiti yoktur.  
 NOT2:2.5 lt. benzinli model araçlarda kullanılır.  
 NOT3:Mayıs 1992'ye kadar.  
 NOT4:Mayıs 1992'den itibaren.

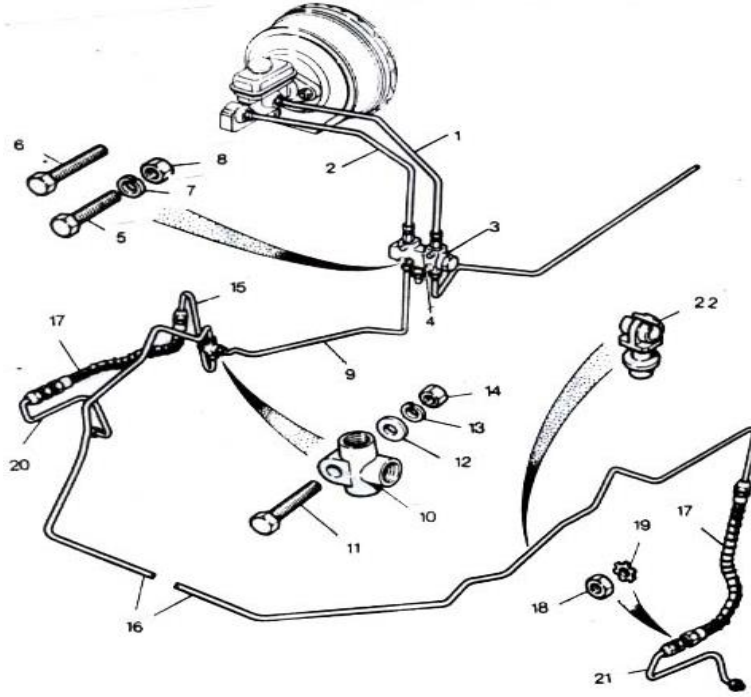
## LAND ROVER 110 YEDEK PARÇALARI

7-4

## FRENLER-BRAKES

### FREN BORULARI-ÖN

RES. NO	PARÇA NO	NATO STOK NO	MALZEMENİN ADI	MALZEMENİN YABANCI ADI	KOMP. MİK.	DAG. BİRİMİ
1	NRC7902-L	4710-99-792-8152	Boru-1.Dev.Ana Merkezden BFIV	Pipe-Primary	1	ADET
2	NRC7904-L	4710-99-792-8153	Boru-2.Dev.Ana Merkezden BFIV	Pipe-Secondary	1	ADET
3	NRC7871	5930-99-792-8154	Valf BFIV	Valve-PDWA	1	ADET
4	AAU1700	2530-99-839-0450	Anahtar	Switch	1	ADET
5	14C01-80132-AA	5306-27-006-2689	Civata	Bolt (BH106091)	1	ADET
6	71A40-80061-AA	5305-99-122-5249	Civata	Bolt (BH106111)	1	ADET
7	11000-80301-AA	5310-27-006-2927	Rondela	Spring Washer	1	ADET

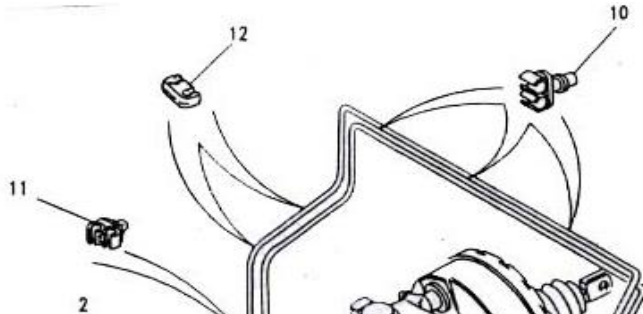


8	71A00-80201-AA	5310-27-006-2772	Somun	Nut (NH106041)	1	ADET
9	NRC9731-L	2530-99-797-2371	Boru-T Rakor BFIV Arası	Pipe-PDWA to Tee Piece	1	ADET
10	NRC4251	4730-99-838-2191	T Rakor	Tee Piece	1	ADET
11	71A00-80010-AA	5306-27-006-2690	Civata	Bolt (BH106061)	1	ADET
12	71A00-80318-AA	5310-27-006-2946	Pul	Plain Washer (WC106041)	1	ADET
13	11000-80301-AA	5310-27-006-2927	Rondela	Spring Washer	1	ADET
14	71A00-80201-AA	5310-27-006-2772	Somun	Nut (NH106041)	1	ADET
15	NRC8721-L	4710-66-128-5723	Boru-T Rakordan Hortuma-Sağ	Pipe-Tee Piece to Hose-RH	1	ADET
16	NRC7801-L	4710-99-792-8155	Boru-T Rakordan Hortuma-Sol	Pipe-Tee Piece to Hose-LH	1	ADET
17	NRC7874	2530-99-786-7626	Ön Fren Hortumu	Front Brake Hose	2	ADET
18	CRC1487-L	5310-99-830-2718	Somun	Nut	4	ADET
19	WF110001L	5310-99-600-3798	Tırtıllı Pul	Lock Washer	4	ADET
20	NRC9575-L	4710-99-254-7554	Boru-Hortumdan Merkeze-Sağ	Pipe-Hose to Caliper-RH	1	ADET
21	NRC7799-L	4710-99-780-2234	Boru-Hortumdan Merkeze-Sol	Pipe-Hose to Caliper-LH	1	ADET
22	CRC1250	2530-99-830-2724	Boru Kelepçesi	Pipe Clip	8	ADET

NOT:Şasi no 901219'a kadar.  
NOT1:BFIV=Basınç Fark İkaz Valfi.

## LAND ROVER 110 YEDEK PARÇALARI

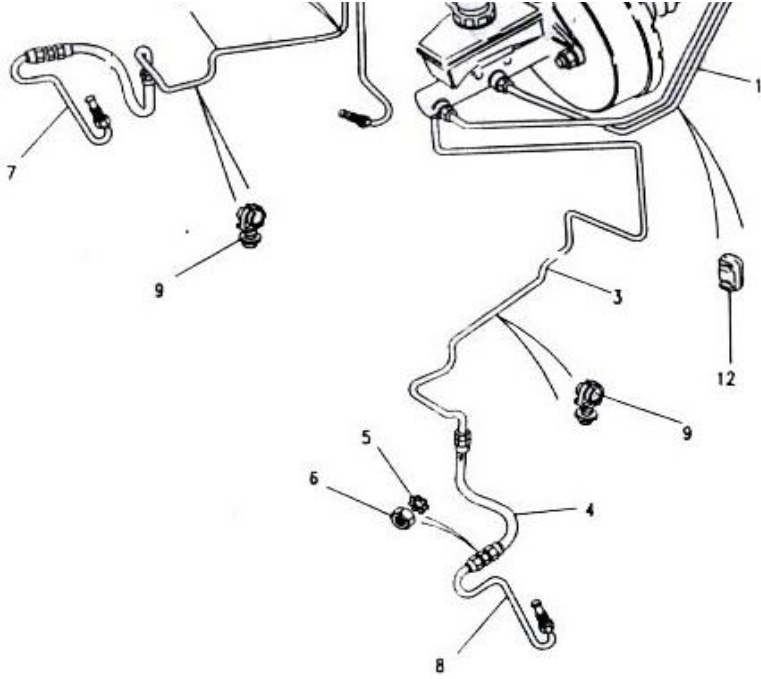
### FREN BORULARI-ÖN BRAKE PIPES-FRONT



## 7-5

## FRENLER-BRAKES

RES. NO	PARÇA NO	NATO STOK NO	MALZEMENİN ADI	MALZEMENİN YABANCI ADI	KOMP. MİK.	DAG. BİRİMİ
1	NTC8453-LD	4710-99-052-0355	Fren Borusu	Pipe Brake	1	ADET
	NTC8451-LD		Fren Borusu	Pipe Brake	1	ADET
2	NTC8450		Fren Borusu Sağ	Pipe Brake RH	1	ADET
3	NTC5708	4710-99-548-7736	Fren Borusu Sol	Pipe Brake LH	1	ADET
4	NRC7874	2530-99-786-7626	Fren Hortumu	Hose Brake	2	ADET
5	WF110001L	5310-99-600-3798	Tırtıllı Pul	Washer Shakeproof	4	ADET
6	CRC1487-L	5310-99-830-2718	Somun	Nut	4	ADET
7	NRC9575	4710-99-254-7554	Fren Borusu Sağ	Pipe Brake RH	1	ADET
8	NRC7799	4710-99-780-2234	Fren Borusu Sol	Pipe Brake LH	1	ADET
9	CRC1250L	2530-99-830-2724	Boru Klipi Tekli	Pipe Clip-Single	2	ADET
10	79127	2530-99-825-6920	Boru Klipi Çiftli	Pipe Clip-Double	3	ADET
11	NTC1177	5340-99-623-9011	Boru Klipi-Çiftli	Pipe Clip-Double	1	ADET



12	AAU7803	2530-99-758-3378	Boru Klibi-Çiftli	Pipe Clip-Double	3	ADET
----	---------	------------------	-------------------	------------------	---	------

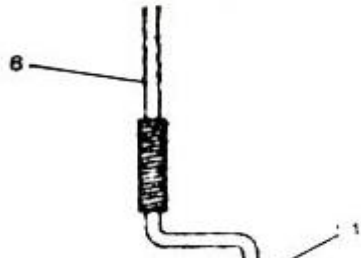
NOT:Şasi No HA901222'den 930434'e kadar

## LAND ROVER 110 YEDEK PARÇALARI

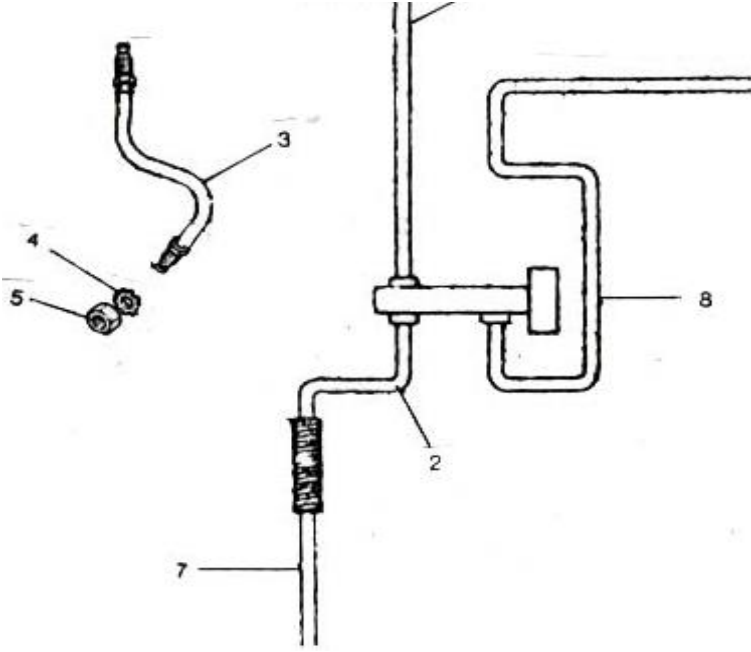
7-6

## FRENLER-BRAKES

### FREN BORULARI-ÖN



RES. NO	PARÇA NO	NATO STOK NO	MALZEMENİN ADI	MALZEMENİN YABANCI ADI	KOMP. MİK.	DAG. BİRİMİ
1	ANR2780-L	4710-99-577-3346	Fren Borusu-Servodan On Sağa	Brake Pipe-M/Cyl to Front RH	1	ADET
2	NTC5708-L	4710-99-548-7736	Fren Borusu-Servodan On Sola	Brake Pipe-M/Cyl to Front LH	1	ADET
3	NRC7874	2530-99-786-7626	Fren Hortumu	Brake Hose	2	ADET
4	WF110001L	5310-99-600-3798	Tırtıllı Pul	Washer Shakeproof	4	ADET
5	CRC1487-L	5310-99-830-2718	Somun	Nut	4	ADET
6	NRC9575-L	4710-99-254-7554	Fren Borusu-Sağ	Pipe Brake-RH	1	ADET
7	NRC7799-L	4710-99-780-2234	Fren Borusu-Sol	Pipe Brake-LH	1	ADET
8	NTC8453-LD	4710-99-052-0355	Fren Borusu-Servodan Konnektöre	Brake Pipe-M/Cyl to Connector	1	ADET



NOT:Şasi No LA930435'ten itibaren.

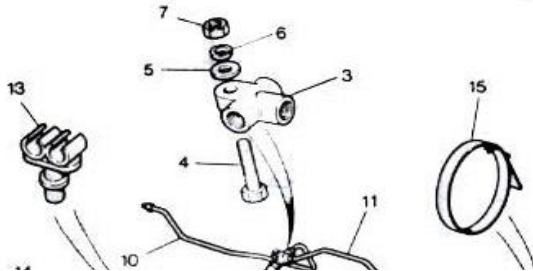
## LAND ROVER 110 YEDEK PARÇALARI

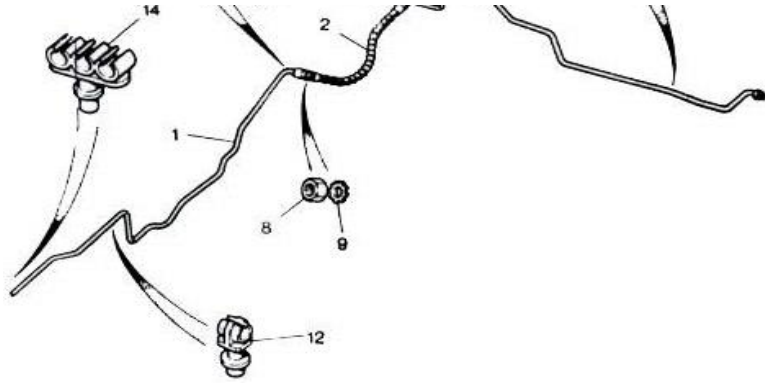
7-7

## FRENLER-BRAKES

### FREN BORULARI-ARKA

RES. NO	PARÇA NO	NATO STOK NO	MALZEMENİN ADI	MALZEMENİN YABANCI ADI	KOMP. MİK.	DAG. BİRİMİ
1	NTC1792-L	4710-99-792-8156	Boru-BFIV'den Hortuma	Pipe-PDWA to Rear Hose	1	ADET
2	NRC9456	2530-99-729-2951	Arka Fren Hortumu	Rear Brake Hose	1	ADET
3	NRC4251	4730-99-838-2191	T Rakor	Tee Piece	1	ADET
4	71A00-80010-AA	5306-27-006-2690	Civata	Bolt (BH106061)	1	ADET
5	71A00-80318-AA	5310-27-006-2946	Pul	Plain Washer (WC106041)	1	ADET
6	WL106041	5310-99-179-7592	Rondela	Spring Washer	1	ADET
7	71A00-80201-AA	5310-27-006-2772	Somun	Nut (NH106041)	1	ADET
8	CRC1487-L	5310-99-830-2718	Somun	Nut	1	ADET
9	WF110001L	5310-99-600-3798	Tırtıllı Pul	Lock Washer	1	ADET
10	NRC7905-L	2530-99-797-2372	Boru-Sağ Fren	Pipe-to RH Brake	1	ADET
11	NTC4578-L	4710-99-792-8157	Boru-Sol Fren	Pipe-to LH Brake	1	ADET
12	CRC1250	2530-99-830-2724	Boru Kelepçesi	Pipe Clip	5	ADET
13	79127	2530-99-825-6920	Boru Kelepçesi-Çiftli	Pipe Clip-Double	1	ADET
14	AFU1217	5340-99-788-7395	Boru Kelepçesi-Üçlü	Pipe Clip-Triple	2	ADET
15	577873-L	5340-99-056-3750	P Kelepçe	Pipe Clip	3	ADET
	79004	5305-99-142-7620	Civata	Screw	3	ADET
	SL510031	5305-99-573-7556	Civata	Screw	3	ADET





71A00-80331-AA	5310-27-006-2952	Pul	Plain Washer (WC702101)	3	ADET
----------------	------------------	-----	-------------------------	---	------

NOT:Şasi No HA901219'a kadar.  
 NOT1:Şasi No 341764'e kadar.  
 NOT2:Şasi No 341765'ten itibaren.

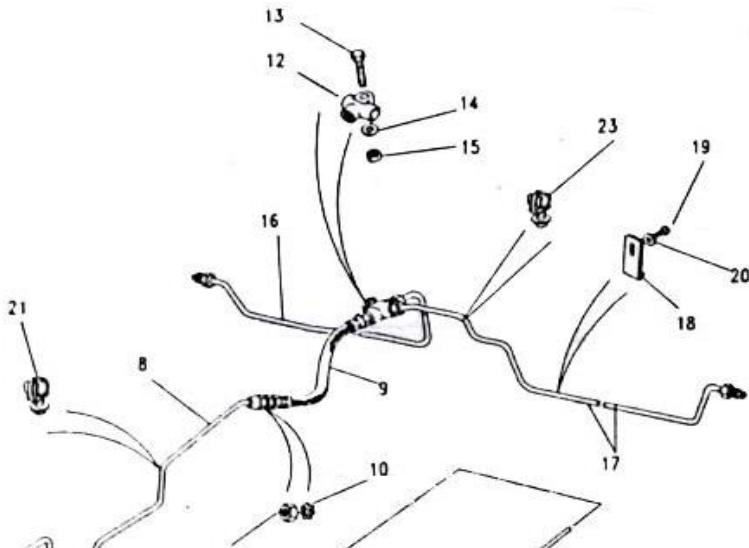
### LAND ROVER 110 YEDEK PARÇALARI

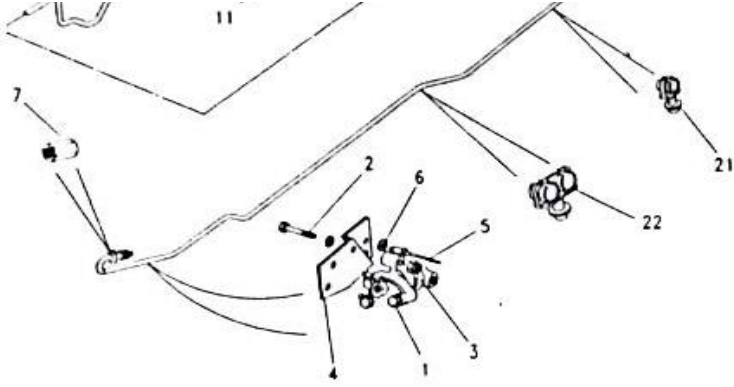
7-8

### FRENLER-BRAKES

### FREN BORULARI-ARKA

RES. NO	PARÇA NO	NATO STOK NO	MALZEMENİN ADI	MALZEMENİN YABANCI ADI	KOMP. MİK.	DAG. BİRİMİ
7	BMK2466	4730-99-830-2723	Konnektör	Connektor	1	ADET
8	NTC8456	4710-99-573-7959	Fren Borusu	Pipe Brake	1	ADET
9	NRC9456	2530-99-729-2951	Kelepçe	Hose Brake	1	ADET
10	WF110001L	5310-99-600-3798	Tırtıllı Pul	Washer Shakeproof	1	ADET
11	CRC1487-L	5310-99-830-2718	Somun	Nut	1	ADET
12	NRC4251	4730-99-838-2191	T Bağlantı Parçası	Tee piece	1	ADET
13	71A00-80010-AA	5306-27-006-2690	Civata	Bolt(BH106061)	1	ADET
14	11000-80351-AA	5310-27-006-2934	Pul	Plain Washer	2	ADET
15	71A00-80201-AA	5310-27-006-2772	Somun	Nut(NH106041)	1	ADET
16	NRC7905	2530-99-797-2372	Fren Borusu-Sağ	Pipe Brake RH	1	ADET
17	NTC4578-L	4710-99-792-8157	Fren Borusu-Sol	Pipe Brake LH	1	ADET
18	577873	5340-99-056-3750	Klip	Clip	3	ADET
19	SL510031	5305-99-573-7556	Civata	Screw	3	ADET
20	71A00-80331-AA	5310-27-006-2952	Pul	Plain Washer(WC702101)	3	ADET
21	CRC1250L		Boru Klipi-Tekli	Pipe Clip-Single	6	ADET
22	79127	2530-99-825-6920	Boru Klipi-Çiftli	Pipe Clip-Double	2	ADET





NOT:Şasi No HA901220'den 930434'e kadar

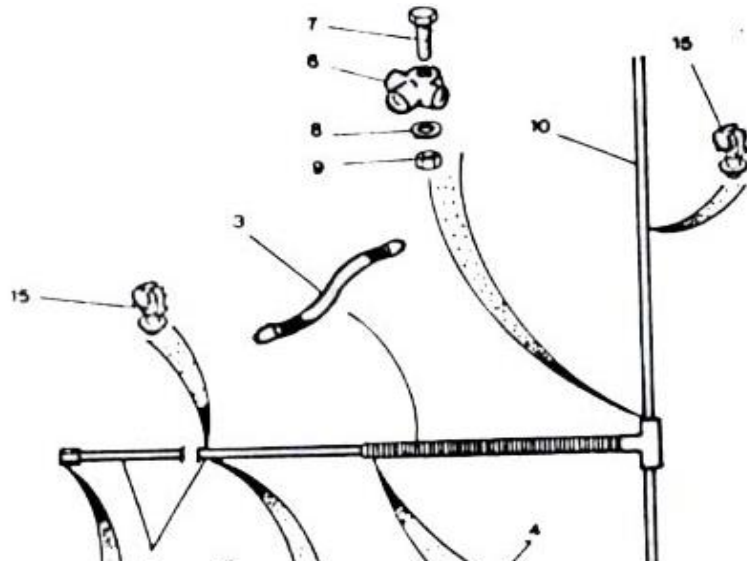
## LAND ROVER 110 YEDEK PARÇALARI

7-9

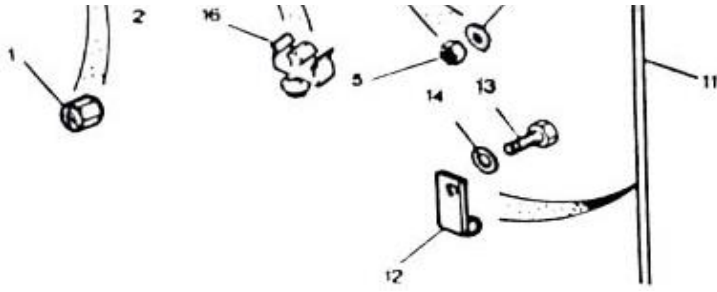
## FRENLER-BRAKES

### FREN BORULARI-ARKA

RES. NO	PARÇA NO	NATO STOK NO	MALZEMENİN ADI	MALZEMENİN YABANCI ADI	KOMP. Mik.	DAĞ. BİRİMİ
1	BMK2466	4730-99-830-2723	Konnektör	Connektor	1	ADET
2	ANR2778-L	4710-99-349-5340	Arka Fren Borusu	Rear Brake Pipe	1	ADET
3	NRC9456	2530-99-729-2951	Fren Hortumu	Hose Brake	1	ADET
4	WF110001L	5310-99-600-3798	Tırtıllı Pul	Washer Shakeproof	1	ADET
5	CRC1487-L	5310-99-830-2718	Somun	Nut	1	ADET
6	NRC4251-L	4730-99-838-2191	T Bağlantı Parçası	Tee piece	1	ADET
7	71A00-80010-AA	5306-27-006-2690	Civata	Bolt(BH106061)	1	ADET
8	11000-80351-AA	5310-27-006-2934	Pul	Plain Washer	2	ADET
9	71A00-80201-AA	5310-27-006-2772	Somun	Nut(NH106041)	1	ADET
10	NTC7984-L		Fren Borusu-Sağ	Pipe Brake RH	1	ADET
11	ANR2779-L	4710-99-496-1801	Fren Borusu-Sol	Pipe Brake LH	1	ADET
12	577873	5340-99-056-3750	Boru Klibi	Clip Pipe	3	ADET
13	SL510031	5305-99-573-7556	Civata	Screw	3	ADET
14	71A00-80331-AA	5310-27-006-2952	Pul	Plain Washer(WC702101)	3	ADET
15	CRC1250L		Boru Klibi-Tekli	Pipe Clip-Single	6	ADET
16	79127	2530-99-825-6920	Boru Klibi-Çiftli	Pipe Clip-Double	2	ADET







NOT:Şasi No LA930435'ten itibaren.

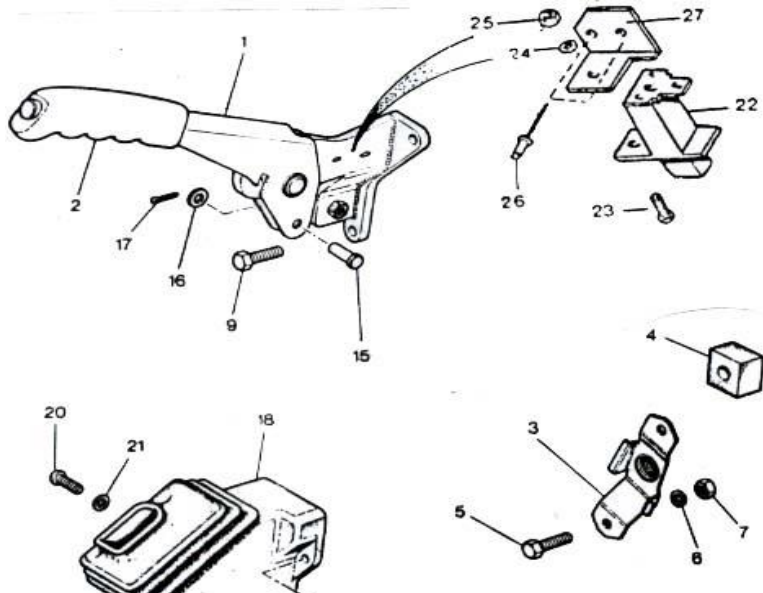
## LAND ROVER 110 YEDEK PARÇALARI

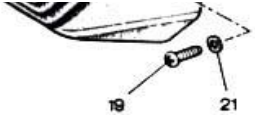
7-10

## FRENLER-BRAKES

### EL FREN KOLU VE KÖRÜĞÜ

RES. NO	PARÇA NO	NATO STOK NO	MALZEMENİN ADI	MALZEMENİN YABANCI ADI	KOMP. MİK.	DAĞ. BİRİMİ
1	NRC9115-LD	2530-99-771-6974	El Fren Kolu Komple	Handbrake Lever Assembly-LHS	1	ADET
2	NRC2744-L	5340-99-721-3546	Tutamak	Handbrake Grip	1	ADET
3	NRC7984-L	2590-99-254-7529	Montaj Sacı	Abutment Plate	1	ADET
4	NRC6795-L	5340-99-776-9576	Montaj Sacı Keçesi	Seal-Abutment Plate	1	ADET
5	11000-80017-AA	5306-27-006-2704	Civata	Screw (SH108251)	2	ADET
6	11000-80302-AA	5310-27-006-2928	Rondela	Spring Washer (WL108011)	2	ADET
7	71A00-80203-AA	5310-27-006-2774	Somun	Nut (NH108041)	2	ADET
15	71A00-80654-AA	5315-27-006-2880	Başlıklı Pim	Clevis Pin (PC108291)	1	ADET
16	71A00-80324-AA	5310-99-122-6475	Pul	Plain Washer	1	ADET
17	71A00-80435-AA	5315-66-128-5104	Kupilya	Split Pin (PS104121)	1	ADET
18	MRC9571-LD	2530-99-771-6975	El Fren Körüğü	Handbrake Cover	1	ADET
19	71A00-81345-AA	5306-27-006-2748	Vida	Drive Screw (AB608055)	2	ADET
20	SE105201L	5305-99-192-1465	Civata	Screw Paint Clearing	1	ADET
21	71A00-80315-AA	5310-99-122-3032	Pul	Plain Washer	3	ADET
22	71A00-36023-AA	5930-27-006-8272	El Fren Müşiri	Switch-Hand Brake	1	ADET
23	31C00-80002-AA		Civata	Bolt	1	ADET
24	14C01-80311-AA	5310-99-977-1102	Rondela	Spring Washer(WL104001)	1	ADET
25	14C01-80228-AA		Somun	Nut	1	ADET
26	11015-80412-AA		Pop Perçin	Pop Rivet	2	ADET
27	71A00-08004-AA		Müşir Bağantı Braketi	Mounting Bracket-Handbrake Switch	1	ADET
	71A00-36406-AA		Gromet	Grommet	1	ADET





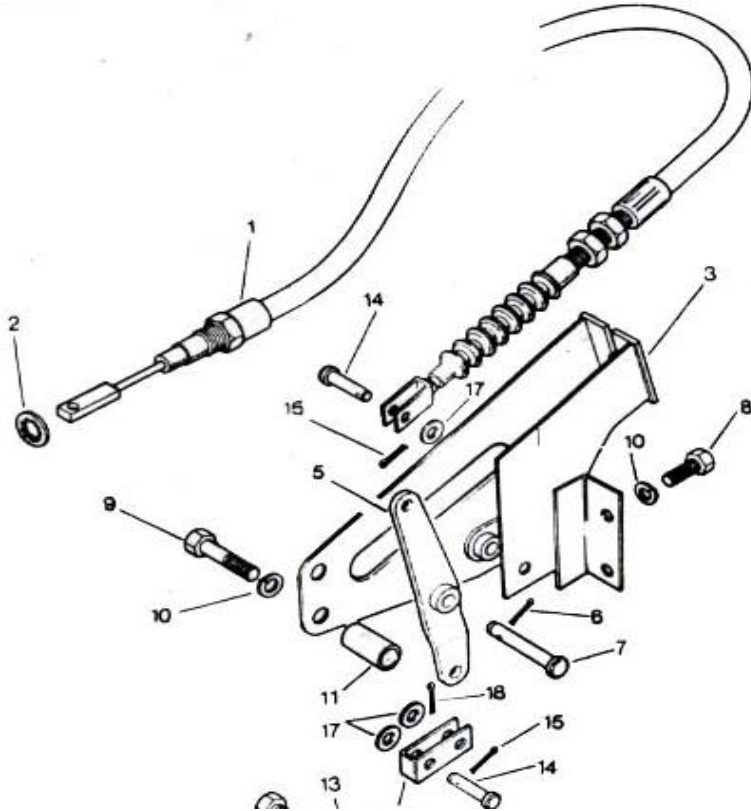
## LAND ROVER 110 YEDEK PARÇALARI

7-11

## FRENLER-BRAKES

### EL FREN TELİ

RES. NO	PARÇA NO	NATO STOK NO	MALZEMENİN ADI	MALZEMENİN YABANCI ADI	KOMP. MİK.	DAG. BİRİMİ
1	NTC3480-L	2530-99-809-6580	El Fren Teli	Handbrake Cable-LHS	1	ADET
2	WF116001L	5310-99-120-6064	Tırtıllı Pul	Shakeproof Washer	1	ADET
3	NRC8059-LD	2590-99-254-7531	Sehpa	Carrier Assembly	1	ADET
	NTC1643-L	2530-99-254-7567	Sehpa	Carrier Assembly	1	ADET
5	NRC7044-L	2530-99-721-3548	Manivela Takımı	Lever Assembly	1	ADET
6	71A00-80437-AA	5315-99-138-2203	Kupilya	Split Pin (PS104161)	1	ADET
7	NRC5104-LD	5315-99-722-6369	Pim	Pin	1	ADET
8	11000-80017-AA	5306-27-006-2704	Civata	Screw (SH108251)	2	ADET
9	14C01-80135-AA	5305-99-122-5255	Civata	Bolt (BH108091)	2	ADET
10	11000-80302-AA	5310-27-006-2928	Rondela	Spring Washer	4	ADET
11	NRC7124-L	2590-99-894-8177	Ara Boru	Spacer-Carrier to Housing	2	ADET
12	SH606061	5305-99-941-0539	Civata	Screw	2	ADET





NOT1:Şasi No HA901219'a kadar.  
 NOT2:Şasi No HA901219'dan itibaren.  
 NOT3:şasi No 455961'e kadar.  
 NOT4:Şasi No 455962'den itibaren.

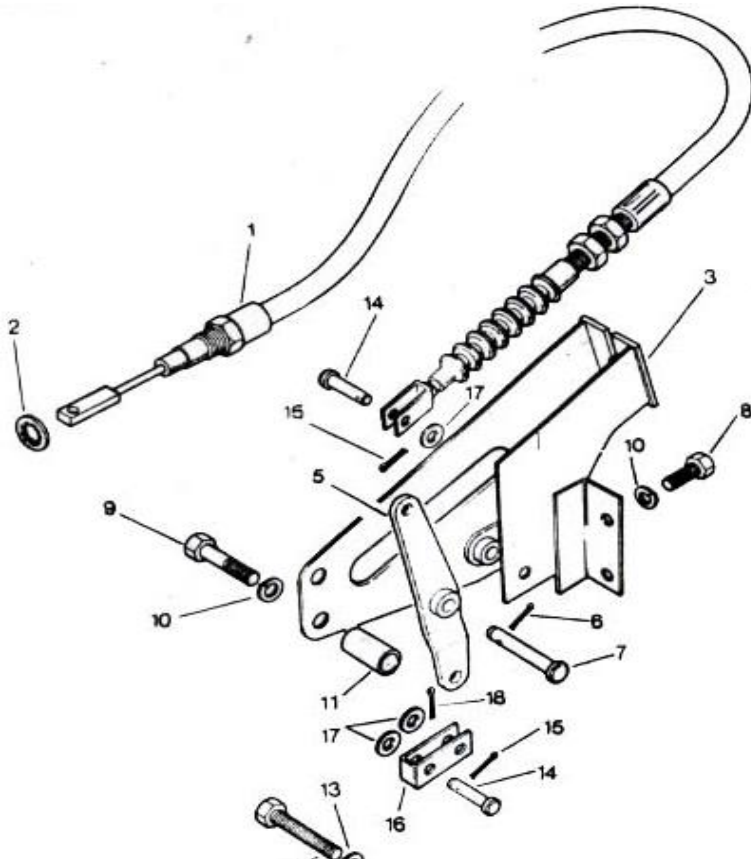
## LAND ROVER 110 YEDEK PARÇALARI

7-12

## FRENLER-BRAKES

### EL FREN TELİ HANDBRAKE CABLE

RES. NO	PARÇA NO	NATO STOK NO	MALZEMENİN ADI	MALZEMENİN YABANCI ADI	KOMP. MIK.	DAG. BİRİMİ
13	71A00-80353-AA	5310-27-006-2932	Rondela	Spring Washer (WM600061)	2	ADET
14	71A00-80654-AA	5315-27-006-2880	Başlıklı Pim	Clevis Pin (PC108291)	2	ADET
15	71A00-80435-AA	5315-66-128-5104	Kupilya	Split Pin (PS104121)	1	ADET
16	NRC7648-L	5340-99-721-3550	Kastanyola	Clevis-Lever to Push Rod	1	ADET
17	71A00-80324-AA	5310-99-122-6475	Pul	Plain Washer	2	ADET
18	71A00-80436-AA	5315-99-131-0292	Kupilya	Split Pin (PS104127)	2	ADET
	AEU1446	5340-99-829-2250	Kelepçe	Clip	1	ADET
	11000-80069-AA	5305-27-006-2735	Cıvata	Screw (SE105161)	1	ADET
	11000-80300-AA	5310-27-006-2926	Rondela	Spring Washer	1	ADET
	71A00-80200-AA	5310-27-006-2771	Somun	Nut (NH105041)	1	ADET
	AEU1446	5340-99-829-2250	Kelepçe	Clip	1	ADET
	78248	5320-99-970-3518	Perçin	Rivet	1	ADET





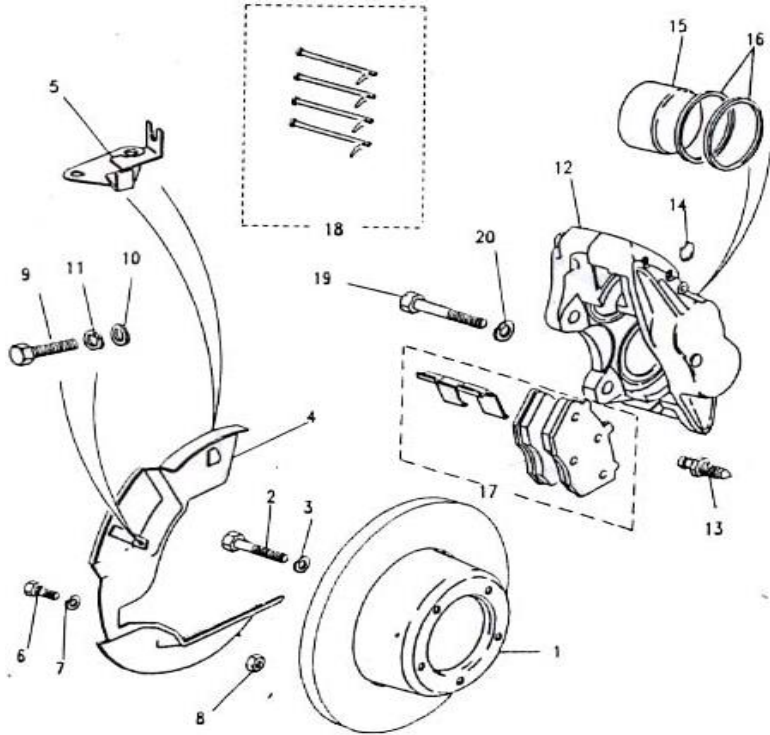
NOT1:Şasi No HA901219'a kadar.  
NOT2:Şasi No HA901219'dan itibaren.  
NOT3:şasi No 455961'e kadar.  
NOT4:Şasi No 455962'den itibaren.

## LAND ROVER 110 YEDEK PARÇALARI

7-13

## FRENLER-BRAKES

### ÖN FRENLER FRONT BRAKES



RES. NO	PARÇA NO	NATO STOK NO	MALZEMENİN ADI	MALZEMENİN YABANCI ADI	KOMP. MİK.	DAG. BİRİMİ
1	FRC7329	2530-99-786-7625	Fren Diski	Brake Disk	2	ADET
2	AFU1180	5306-99-734-5821	Disk Civatası	Bolt-Disk to Hub	10	ADET
3	11000-80303-AA	5310-27-006-2929	Rondela	Spring Washer	10	ADET
4	FRC6402	2530-99-797-7066	Sağ Çamur Sacı	Mudshield-RH	1	ADET
	FRC6403	2530-99-797-7067	Sol Çamur Sacı	Mudshield-LH	1	ADET
5	FRC7202	2530-99-797-7043	Takviye Braketi-Sağ	Retaining Bracket-RH	1	ADET
	FRC7201		Takviye Braketi-Sol	Retaining Bracket-LH	1	ADET
6	11000-80006-AA	5305-99-122-5359	Cıvata	Screw (SH106121)	2	ADET
7	11000-80301-AA	5310-27-006-2927	Rondela	Spring Washer	2	ADET
8	71A00-80201-AA	5310-27-006-2772	Somun	Nut (NH106041)	2	ADET
9	11000-80006-AA	5305-99-122-5359	Cıvata	Screw (SH106121)	2	ADET
10	11000-80301-AA	5310-27-006-2927	Rondela	Spring Washer	2	ADET
11	11000-80351-AA	5310-27-006-2934	Pul	Plain Washer (WA106001)	2	ADET
12	RTC5572	2530-66-128-4815	Sağ Fren Kaliperi-Balatasız	Brake Caliper RH-Less Pads	1	ADET
	RTC5573	2530-66-128-4804	Sol Fren Kaliperi-Balatasız	Brake Caliper LH-Less Pads	1	ADET
13	RTC1526	2530-99-830-2733	Hava Alma Cıvatası	Bleed Screw	2	ADET
14	17H8764L		Conta	Fluid Channel Seal	4	ADET
15	STC201		Piston	Piston	4	ADET
16	AEU2539	2530-99-797-7061	Tamir Kiti	Repair Kit	2	ADET
17	RTC5574	2530-99-785-9000	Balata	Brake Pad-Axle Set	1	ADET
18	RTC5001	2530-99-729-6649	Balata Tutucu Takımı	Retention Kit-Brake Pads	1	ADET
19	AFU1031	5306-99-734-5823	Kaliper Cıvatası	Bolt-Caliper to Housing	2	ADET
20	WL112001L	5310-99-138-9229	Rondela	Spring Washer	2	ADET

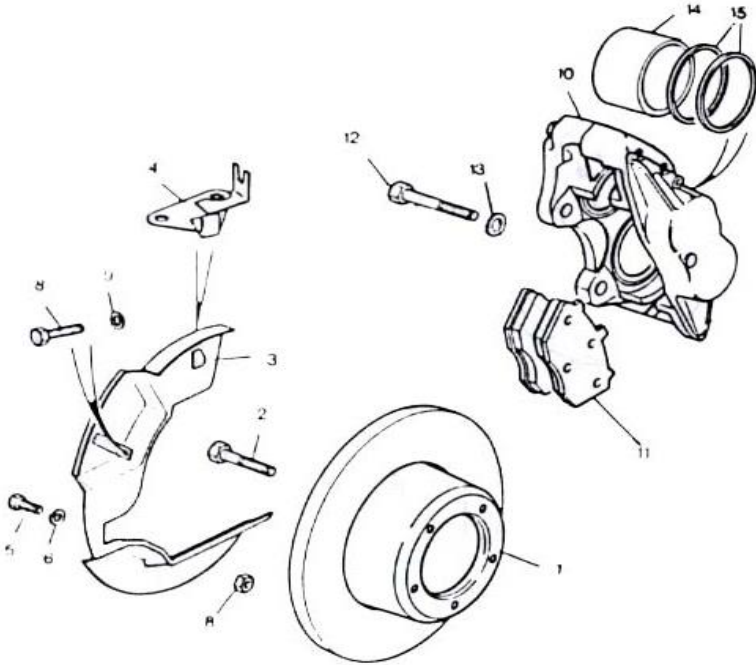
NOT:Şasi No 930434'e kadar.

## LAND ROVER 110 YEDEK PARÇALARI

7-14

## FRENLER-BRAKES

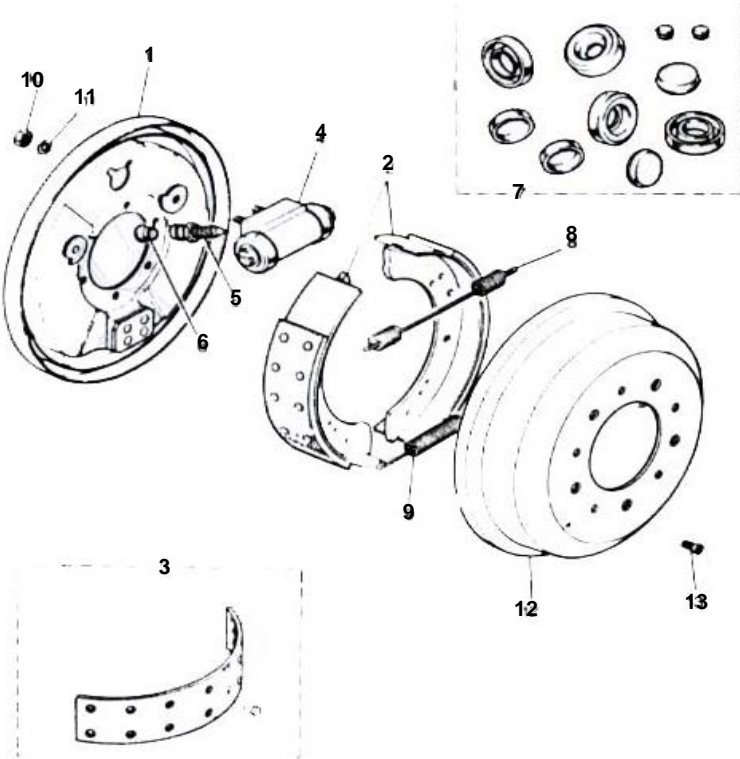
### ÖN FRENLER



RES. NO	PARÇA NO	NATO STOK NO	MALZEMENİN ADI	MALZEMENİN YABANCI ADI	KOMP. Mik.	DAG. BİRİMİ
1	STC902		Fren Diski	Disk Brake Vented	2	ADET
2	FTC1368	5306-99-968-0840	Özel Civata	Special Bolt	10	ADET
3	FTC3278	2530-99-765-4748	Sağ Çamurluk Freni	Mudshield Brake RH	1	ADET
	FTC3279	2530-99-386-7223	Sol Çamurluk Freni	Mudshield Brake LH	1	ADET
4	FRC7202	2530-99-797-7043	Braket-Sağ	Bracket-RH	1	ADET
	FRC7201	2530-99-797-7044	Braket-Sol	Bracket-LH	1	ADET
5	11000-80006-AA	5305-99-122-5359	Civata	Screw (SH106121)	2	ADET
6	11000-80351-AA	5310-27-006-2934	Pul	Plain Washer	2	ADET
7	NH106045	5310-99-641-7475	Somun	Nut	2	ADET
8	SH112505	5305-99-319-8611	Civata	Screw	2	ADET
9	71A00-80255-AA	5310-27-006-2779	Somun	Nut (NT112041)	2	ADET
10	STC1266	2530-99-168-8521	Sağ Fren Kaliperi-Balatasız	Brake Caliper RH-Less Pads	1	ADET
	STC1267	2530-99-051-7290	Sol Fren Kaliperi-Balatasız	Brake Caliper LH-Less Pads	1	ADET
11	STC1275	2530-99-316-3604	Balata Seti	Pad Set	1	ADET
12	FTC3375	5306-99-567-0676	Kaliper Civatası	Bolt Caliper	2	ADET
13	WL112001	5310-99-138-9229	Yaylı Rondela	Spring Washer	2	ADET
14	STC1280	2530-99-004-1320	Piston	Piston	1	ADET
15	AEU2539	2530-99-797-7061	Tamir Takımı	Repair Kit	4	ADET

NOT:Şasi No LA930435'ten itibaren.

## LAND ROVER 110 YEDEK PARÇALARI

ARKA FRENLER  
REAR BRAKES

NOT:Şasi No LA930434'e kadar.

7-15

FRENLER-BRAKES

RES. NO	PARÇA NO	NATO STOK NO	MALZEMENİN ADI	MALZEMENİN YABANCI ADI	KOMP. MİK.	DAĞ. BİRİMİ
1	AEU2496	2530-99-797-4653	Fren Tablası-Sağ	Backplate-RH	1	ADET
	AEU2497	2530-99-797-4654	Fren Tablası-Sol	Backplate-LH	1	ADET
2	RTC3410		Fren Pabucu-Arka İçin Takım	BrakeShoe-Axle Set	1	ADET
3	AEU1880	2530-99-765-7521	Balata ve Perçin	Linings and Rivets-Axle Set	1	ADET
4	RTC3626	2530-99-786-7629	Sağ Tekerlek Fren Merkezi	Wheel Cylinder-RH	1	ADET
	RTC3627	2530-99-786-7630	Sol Tekerlek Fren Merkezi	Wheel Cylinder-LH	1	ADET
5	608400	2530-99-833-7437	Hava Alma Cıvatası	Bleer Screw	2	ADET
6	234957	5340-99-881-4961	Toz Kapağı	Dust Cap	2	ADET
7	AEU2498	2530-99-797-4664	Merkez Tamir Takımı	Wheel Cylinder Repair Kit	2	ADET
8	548169	2530-99-882-0420	Üst Pabuç Yayı	Return Spring-Top	2	ADET
9	531893	2530-99-805-8972	Alt Pabuç Yayı	Return Spring-Bottom	2	ADET
10	NH605041-L	5310-27-006-0094	Somun	Nut	4	ADET
11	71A00-80316-AA	5310-99-941-6655	Rondela	Spring Washer (WM600051)	4	ADET
12	576973	2530-99-820-5481	Kampana	Brake Drum	2	ADET
13	SA108161	5305-99-135-0268	Cıvata	Screw	2	ADET
	RTC3176	2530-99-839-5402	Fren Ayar Takımı	Brake Adjuster Kit	1	ADET

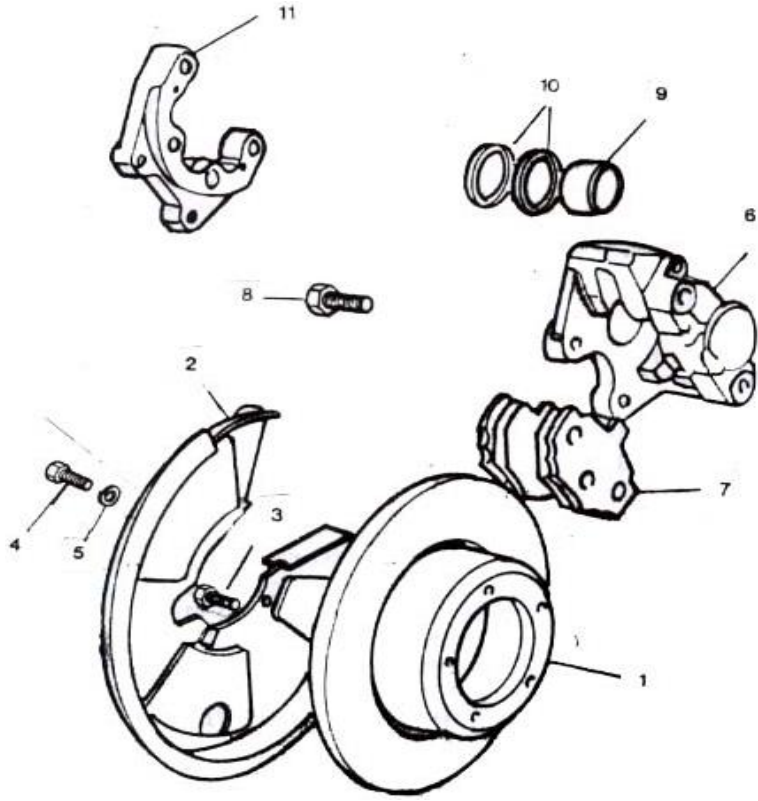
## LAND ROVER 110 YEDEK PARÇALARI

7-16

FRENLER-BRAKES

## ARKA FRENLER

RES. NO	PARÇA NO	NATO STOK NO	MALZEMENİN ADI	MALZEMENİN YABANCI ADI	KOMP. MİK.	DAĞ. BİRİMİ
1	FTC3646	5330-99-203-7793	Fren Diski	Disc Brake	2	ADET
2	FTC3320	2530-99-383-4204	Sağ Çamurluk	Mudshiled RH	1	ADET



	FTC3321	2530-99-457-3085	Sol Çamurluk	Mudshield LH	1	ADET
3	FTC1368	5306-99-968-0840	Civata	Bolt	10	ADET
4	11000-80008-AA	5306-27-006-2700	Civata	Screw (SH106201)	6	ADET
5	2215L	5310-99-125-2327	Pul	Plain Washer	6	ADET
6	STC1268	2530-99-562-3447	Sağ Fren Kaliperi-Balatasız	Brake Caliper RH-Less Pads	1	ADET
	STC1269	2530-99-660-7430	Sol Fren Kaliperi-Balatasız	Brake Caliper LH-Less Pads	1	ADET
7	STC1277	2530-99-257-7789	Fren Balata Seti	Brake Pad Axle Set	1	ADET
8	FTC1967		Kaliper Civatası	Bolt Brake Caliper	4	ADET
9	STC1281	2530-99-131-1568	Kaliper Piston Takımı	Kit Caliper Piston	1	ADET
10	STC1270	2530-99-500-4713	Kaliper Tamir Takımı	Kit Caliper Repair	1	ADET
	STC1271		Kaliper Valfi	Valve Caliper	1	ADET
	FTC3306	5340-99-021-4847	Bağlantı Braketi	Mounting Bracket	2	ADET

NOT1:Şasi No LA930435'ten itibaren.

## LAND ROVER 110 YEDEK PARÇALARI

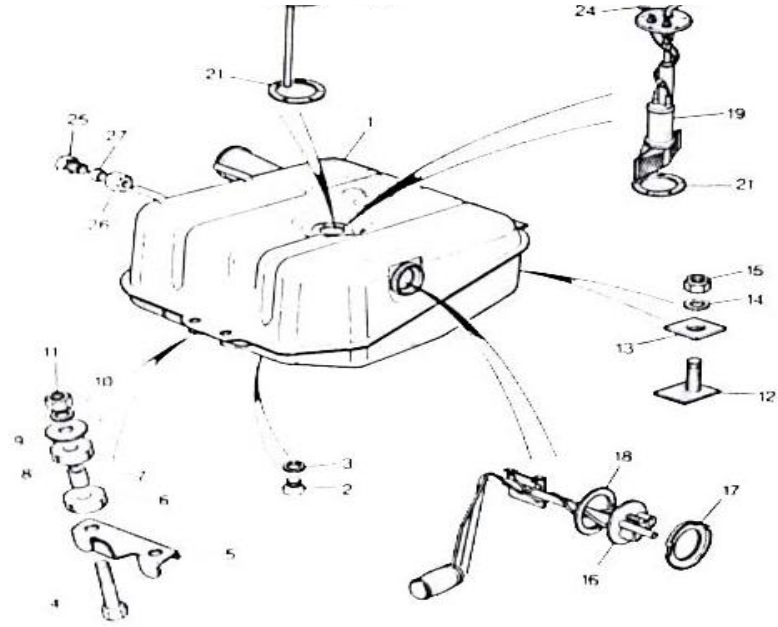
8-1

## YAKIT VE HAVA FİLTRESİ-FUEL AND AIR CLEANER

### YAKIT DEPOSU-ARKA

RES. NO	PARÇA NO	NATO STOK NO	MALZEMENİN ADI	MALZEMENİN YABANCI ADI	KOMP. MİK.	DAG. BİRİMİ
1	NTC2017-LD	2910-99-729-2957	Yakıt Deposu (80 lt)	Fuel Tank (18 Gallon)	1	ADET
2	NRC0062-L	5365-99-828-7803	Boşaltma Tapası	Drain Plug	1	ADET
3	71A00-35150-AA		Pul	Washer	1	ADET
4	71A00-80043-AA	5306-27-006-2691	Civata	Bolt (BH110091)	2	ADET
5	NRC6097-L	5340-99-721-3573	Sac Pul	Tab Washer	1	ADET

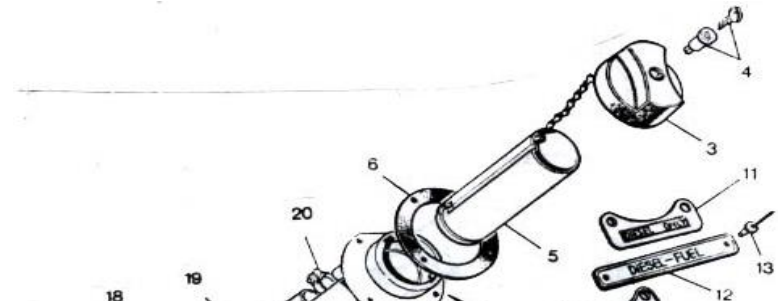




6	500447-L	2910-99-806-7464	Lastik Takoz	Mounting Rubber	2	ADET
7	NRC4757-L	5365-99-721-3574	Mesafe Yüksüğü	Distance Piece	2	ADET
8	500447-L	2910-99-806-7464	Lastik Takoz	Mounting Rubber	2	ADET
9	71A00-80332-AA	5310-27-006-2953	Pul	Washer (WJ110001)	2	ADET
10	11000-80303-AA	5310-27-006-2929	Rondela	Spring Washer	2	ADET
11	12B07-80207-AA	5310-27-006-2770	Somun	Nut (NH110041)	2	ADET
12	NTC2681-L	5306-99-451-3125	Civata Sacı	Bolt Plate	2	ADET
13	NTC2837-L	5310-99-722-6820	Ara Parça	Spacer	2	ADET
14	71A00-80323-AA	5310-99-138-7965	Pul	Plain Washer	2	ADET
15	14C01-80243-AA	5310-27-006-2761	Fiberli Somun	Nyloc Nut (NY108041)	2	ADET
16	71B00-33043-AA		Samandra Komple (Benzinli)	Fuel Level Unit (Petrol)	1	ADET
	71A00-33043-AB	2910-27-006-2853	Samandra Komple (Dizel)	Fuel Level Unit (Diesel)	1	ADET
17	71A00-33044-AA		Kilitleme Halkası	Locking Ring	1	ADET
18	71A00-33042-AA		Sızdırmazlık Halkası	Sealing Ring	1	ADET
19	PRC7020-LM	2910-99-109-2853	Yakıt Pompası (Benzinli)	Fuel Pump (Petrol)	1	ADET
	71A10-36176-AA		Şasi Terminali (Benzinli)	Eyelet(Petrol)	1	ADET
	51100470		Erkek Terminal(Benzinli)	Pin (Petrol)	1	ADET
	71B00-36427-AA		Isıl Makaron(Benzinli)	Tube(Petrol)	1	ADET
20	NTC2156-LD	4710-27-005-9904	Geri Dönüş Borusu (Dizel)	Fuel Return Pipe (Diesel)	1	ADET
21	PRC5852-L	2910-99-729-2958	Sızdırmazlık Halkası	Sealing Ring	1	ADET
22	71A00-81324-AA	5305-27-006-2728	Civata	Screw (SE105121)	5	ADET
23	11000-80300-AA	5310-27-006-2926	Rondela	Spring Washer	5	ADET
24	71A00-80310-AA	5310-99-122-3032	Pul	Plain Washer	1	ADET
25	NTC1612-L	5365-99-547-8370	Tapa (Dizel)	Plug (Diesel)	1	ADET
26	NRC9770-L	4730-99-793-3134	Somun	Nut	1	ADET
27	NRC9771-L	4730-99-793-3133	Yüksük	Olive	1	ADET

## LAND ROVER 110 YEDEK PARÇALARI

### YAKIT SİSTEMİ-YAKIT DOLDURMA-ARKA TANK

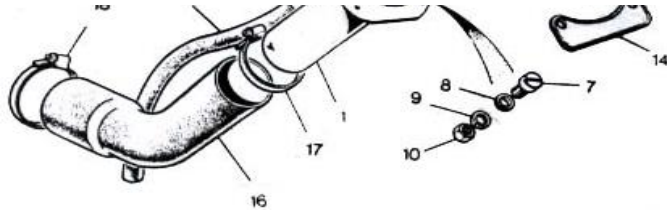


8-2

### YAKIT VE HAVA FİLTRESİ-FUEL AND AIR CLEANER

RES. NO	PARÇA NO	NATO STOK NO	MALZEMENİN ADI	MALZEMENİN YABANCI ADI	KOMP. MİK.	DAĞ. BİRİMİ
1	NTC2676-LD	4710-27-005-9909	Yakıt Doldurma Boğazı	Fuel Filler Assembly	1	ADET
3	RTC4740	2910-99-729-8390	Havalandırma Kilitli Kapak	Cap-Locking-Vented	1	ADET
4	RTC3022	2540-99-793-4088	Depo Kilidi ve Anahtarlar	Barrel Lock and Keys	1	ADET
5	NTC2655-LD	2910-99-741-5892	Uzatma Borusu	Extension Tube	1	ADET
6	NTC2229-L	5330-99-776-9648	Keçe	Seal	1	ADET
	ESR1650-L	5330-99-439-7214	Keçe	Seal	1	ADET
7	77941	5305-99-132-8366	Civata	Screw	4	ADET
8	WC702101	5310-99-941-8543	Pul	Plain Washer	4	ADET
9	WL700101	5310-99-135-1017	Rondela	Spring Washer	4	ADET
10	RTC608	5310-99-941-7070	Somun	Nut	4	ADET





11	502951-LD	9905-99-776-9655	Dizel Yakıtı Etiketi	Label-Diesel Fuel	1	ADET
12	MTC4320-L	9905-99-721-3588	Dizel Yakıtı Etiketi	Label-Diesel Fuel	1	ADET
13	RU612503		Perçin	Rivet	2	ADET
14	71B21-34501-AA		Etiket "Benzin"	Label "Petrol"	1	ADET

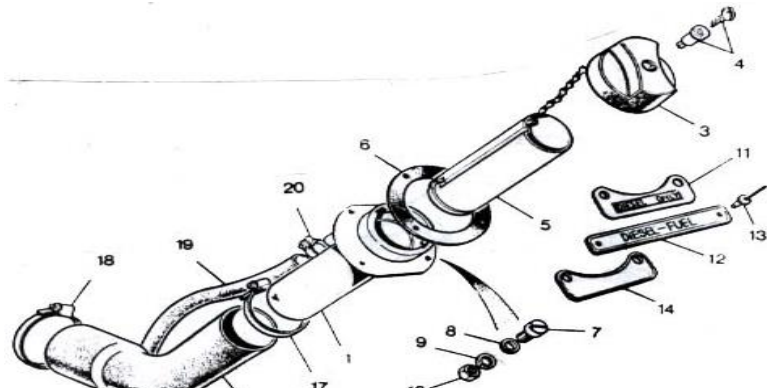
NOT1:Şasi No JA910669'a kadar.  
NOT2:Şasi No JA910670'den itibaren

### LAND ROVER 110 YEDEK PARÇALARI

8-3

### YAKIT VE HAVA FİLTRESİ-FUEL AND AIR CLEANER

#### YAKIT SİSTEMİ-YAKIT DOLDURMA-ARKA TANK



RES. NO	PARÇA NO	NATO STOK NO	MALZEMENİN ADI	MALZEMENİN YABANCI ADI	KOMP. Mik.	DAĞ. BİRİMİ
16	NTC2337-LD	4720-99-660-8486	Benzin Depo Hortumu	Hose-Main Tank	1	ADET
	RRC4418-LD	4720-99-301-8330	Yakıt Dolum Hortumu-PİKAP	Hose-Fuel Filler-HCPU	1	ADET
	72A12-33040-AA	4720-27-006-2820	Yakıt Dolum Hortumu-PİKAP	Hose-Fuel Filler-HCPU	1	ADET
17	594753	4730-99-406-2141	Hortum Kelepçesi	Hose Clip-Main Tank	2	ADET
	594753	4730-99-406-2141	Hortum Kelepçesi	Hose Clip-Side Tank	1	ADET
18	STC128	4730-99-350-5693	Hortum Kelepçesi	Hose Clip-Side Tank	1	ADET
19	NTC2269-LD		Hortum Havalandırma-Ana Tank	Hose-Breather-Main Tank	1	ADET
	ESR1289-L		Hortum Havalandırma-Ana Tank	Hose-Breather-Main Tank	1	ADET
	NTC2787-LM		Hortum Havalandırma-Ana Tank-PİKAP	Hose-Breather-Main Tank-HCPU	1	ADET
	ESR1287-L	4710-27-005-9908	Yakıt Hava Hortumu-PİKAP	Hose Breather-HCPU	1	ADET
20	572839-LD		Hortum Kelepçesi	Hose Clip	2	ADET



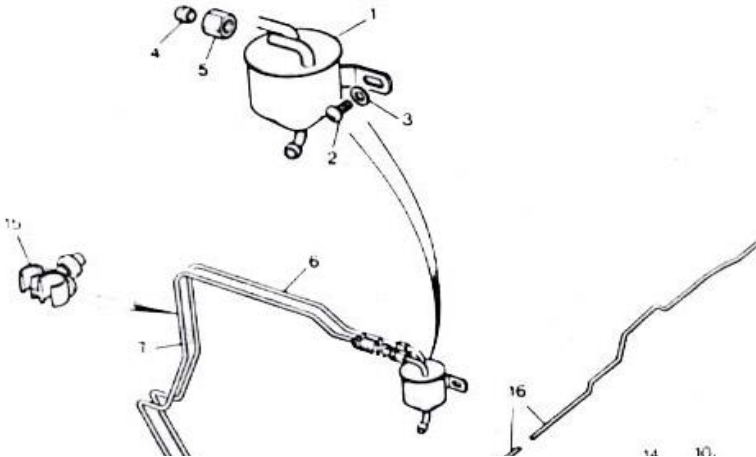
NOT1:Ağustos 1992'ye kadar.  
 NOT2:Ağustos 1992'den itibaren  
 NOT3:Eylül 1991'e kadar  
 NOT4:Eylül 1991'den itibaren

### LAND ROVER 110 YEDEK PARÇALARI

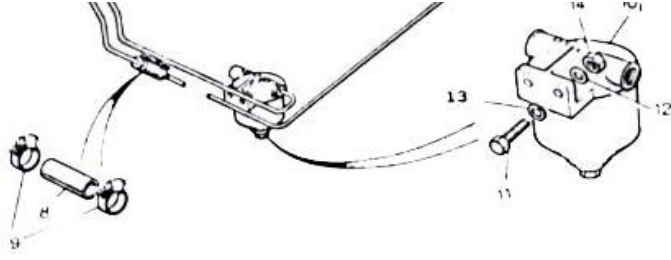
8-4

### YAKIT VE HAVA FİLTRESİ-FUEL AND AIR CLEANER

#### YAKIT SİSTEMİ-BUHAR AYIRICI-YAKIT FİLTRESİ- YAKIT BORULARI FUEL SYSTEM-VAPOUR SEPERATOR-FUEL



RES. NO	PARÇA NO	NATO STOK NO	MALZEMENİN ADI	MALZEMENİN YABANCI ADI	KOMP. MİK.	DAG. BİRİMİ
1	NRC9772		Buhar Ayırıcı	Vapour Separator	1	ADET
2	72628	5305-99-845-0236	Civata	Screw	2	ADET
3	WJ106001L		Pul	Washer	2	ADET
4	NRC9771-L	4730-99-793-3133	Yüksük	Olive	1	ADET
5	NRC9770-L	4730-99-793-3134	Somun	Nut	1	ADET
6	NTC3866		Yakıt Besleme Borusu	Fuel Feed Pipe	1	ADET
7	NTC3867		Geri Dönüş Borusu	Spill Pipe	1	ADET
8	NTC2876	2990-99-972-4941	Hortum	Hose	2	ADET
9	11015-76050-AA	4730-99-350-5693	Hortum Kelepçesi	Hose Clip (CN100708)	4	ADET
10	NRC9786	2910-99-793-3129	Yakıt Filtresi	Fuel Filter	1	ADET
	JS680L		Eleman	Element	1	ADET
11	11000-80008-AA	5306-27-006-2700	Civata	Screw (SH106201)	2	ADET
12	11000-80351-AA	5310-27-006-2934	Pul	Plain Washer	2	ADET
13	11000-80301-AA	5310-27-006-2927	Rondela	Spring Washer	2	ADET
14	71A00-80201-AA	5310-27-006-2772	Somun	Nut (NH106041)	2	ADET
15	NRC5415	5340-99-732-0982	Çiftli Boru Kelepçesi	Pipe Clip-Double	4	ADET
16	NTC2072	4710-99-404-2478	Geri Dönüş Borusu	Spill Pipe	1	ADET



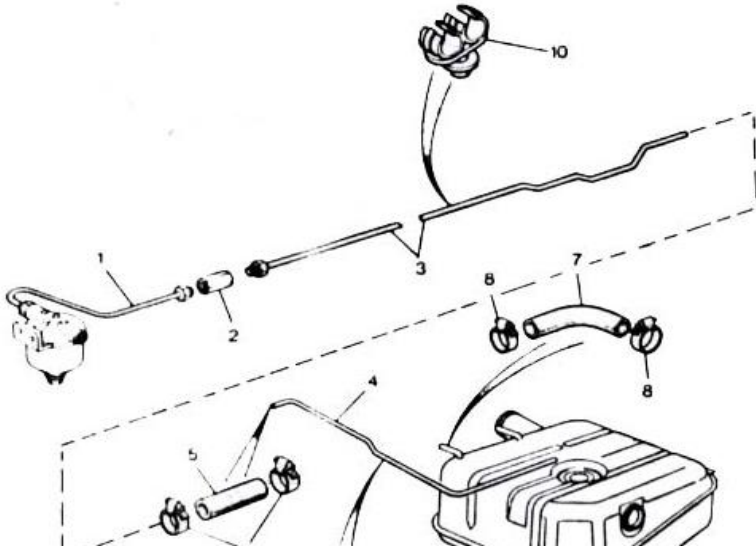
NOT:Buhar ayırıcıdan ön göğüse

## LAND ROVER 110 YEDEK PARÇALARI

8-5

## YAKIT VE HAVA FİLTRESİ-FUEL AND AIR CLEANER

### YAKIT SİSTEMİ-YAKIT BORULARI-ARKA-BENZİNLİ FUEL SYSTEM-FUEL PİPES-REAR-SİNGLE TANK- PETROL



RES. NO	PARÇA NO	NATO STOK NO	MALZEMENİN ADI	MALZEMENİN YABANCI ADI	KOMP. MİK.	DAĞ. BİRİMİ
1	NTC2225	4710-99-320-4900	Yakıt Borusu	Fuel Pipe	1	ADET
2	NTC2227	4730-99-961-2418	Rakor	Connection	1	ADET
3	NTC2263	4710-99-500-4000	Yakıt Borusu	Fuel Pipe	1	ADET
4	NTC6750	2990-99-547-9827	Yakıt Borusu	Fuel Pipe	1	ADET
5	NRC9771-L	4730-99-793-3133	Yüksük	Olive	1	ADET
6	NRC9770-L	4730-99-793-3134	Somun	Nut Union	1	ADET
7	NTC2876	2990-99-972-4941	Hortum	Hose	1	ADET
8	CN100168L	4730-99-564-2831	Hortum Kelepçesi	Hose Clip	2	ADET
9	ETC5340	4720-99-595-4621	Hortum	Hose	1	ADET
10	CN100168L	4730-99-564-2831	Hortum Kelepçesi	Clip Hose	2	ADET
11	79122	5340-99-836-0079	Tekli Hortum Kelepçesi	Pipe Clip-Single	4	ADET
12	79158	5340-66-128-5457	Çiftli Hortum Kelepçesi	Pipe Clip-Double	6	ADET

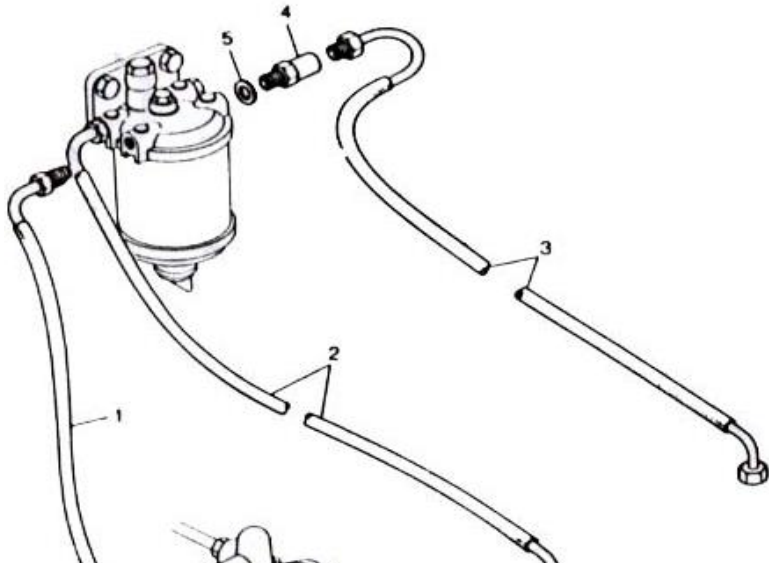


## LAND ROVER 110 YEDEK PARÇALARI

8-6

## YAKIT VE HAVA FİLTRESİ-FUEL AND AIR CLEANER

### YAKIT BORULARI DİZEL



RES. NO	PARÇA NO	NATO STOK NO	MALZEMENİN ADI	MALZEMENİN YABANCI ADI	KOMP. MİK.	DAG. BİRİMİ
1	ETC6903	4710-99-776-9661	Yakıt Borusu-Pompadan Filtreye	Fuel Pipe-Fuel Pump to Filter	1	ADET
	ERR244	4710-99-310-0930	Yakıt Borusu-Pompadan Filtreye	Fuel Pipe-Fuel Pump to Filter	1	ADET
2	ETC6901	4710-99-776-9662	Enjektör Pompasından Filtreye	D.P.S. Pump to Filter	1	ADET
3	ETC6902	4710-99-776-9663	Geri Dönüş-Filtreye	D.P.S. Pump to Filter-Spill	1	ADET
4	AAU3509	2910-99-535-1005	Tek Yönlü Valf	Non Return Valve	1	ADET
5	71A00-80354-AB	5310-27-006-2965	Conta	Joint Washer (517706)	1	ADET



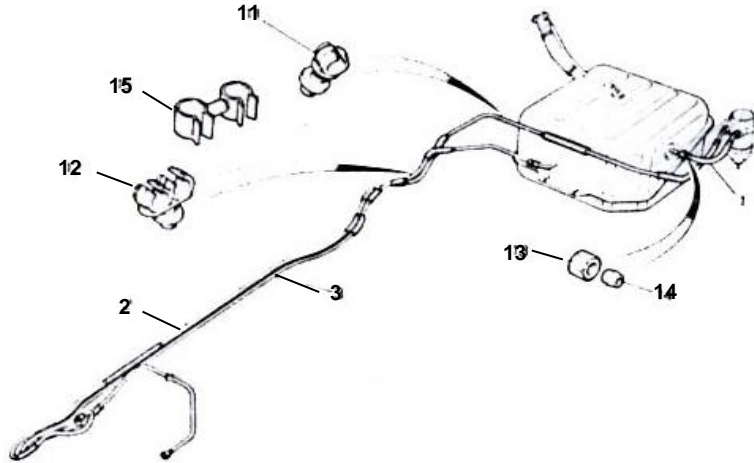
NOT1:12J 41642C'ye kadar  
NOT2:12J 41643C'den sonra

### LAND ROVER 110 YEDEK PARÇALARI

8-7

### YAKIT VE HAVA FİLTRESİ-FUEL AND AIR CLEANER

#### 4 SİLİNDİR DİZEL YAKIT BORULARI FUEL PIPES-4 CYLINDER DIESEL WITH SEDİMENTORS



RES. NO	PARÇA NO	NATO STOK NO	MALZEMENİN ADI	MALZEMENİN YABANCI ADI	KOMP. MİK.	DAĞ. BİRİMİ
1	NRC8462-LD	4720-99-741-5917	Yakıt Borusu-Tanktan Su Ayırıcıya	Fuel Pipe-Tank to Sedimentors	1	ADET
	ESR0245-LD	4710-27-005-9907	Yakıt Borusu-Tanktan Su Ayırıcıya	Fuel Pipe-Tank to Sedimentors	1	ADET
2	NRC8103-LD	4720-99-741-5932	Su Ayırıcıdan Otomatige	Sedimenter to Pump	1	ADET
3	NRC2157		Tahliyeden Depoya	Spill Rail to Tank	1	ADET
	NTC3491-LD	4710-99-782-2513	Tahliyeden Depoya	Spill Rail to Tank	1	ADET
11	79121	2910-99-825-6380	Kelepçe	Clip	4	ADET
	79122	5340-99-836-0079	Kelepçe	Clip	1	ADET
12	NRC5415	5340-99-732-0982	Kelepçe	Clip	7	ADET
13	603431-L	4730-99-825-6352	Somun	Nut	1	ADET
	NRC9770-L	4730-99-793-3134	Somun	Nut	1	ADET
14	542846	4730-99-801-7775	Yüksük	Olive	1	ADET
	NRC9771-L	4730-99-793-3133	Yüksük	Olive	1	ADET

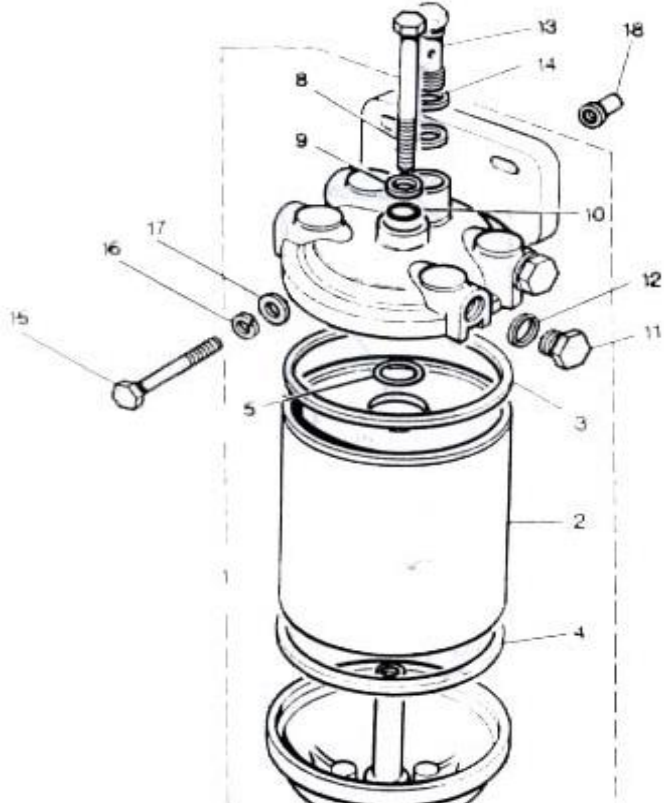
NOT1:Şasi no 450724'e kadar  
 NOT2:Şasi no 450724'den sonra  
 NOT3:Şasi no 328280'e kadar  
 NOT4:Şasi no 328821'den sonra  
 NOT5:Gerektiği kadar.

## LAND ROVER 110 YEDEK PARÇALARI

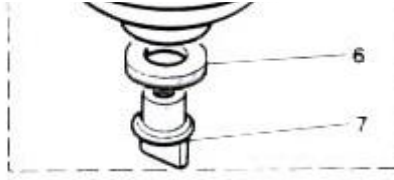
8-8

## YAKIT VE HAVA FİLTRESİ-FUEL AND AIR CLEANER

### YAKIT FİLTRESİ



RES. NO	PARÇA NO	NATO STOK NO	MALZEMENİN ADI	MALZEMENİN YABANCI ADI	KOMP. MİK.	DAĞ. BİRİMİ
1	563190	2910-99-829-4717	YAKIT FİLTRESİ	FUEL FILTER	1	ADET
2	90517711	2910-99-881-8769	Eleman	Element	1	ADET
3	AAU9903	5330-99-829-2705	Conta	Seal	1	ADET
4	AAU9902	5330-99-829-2704	Conta	Seal	1	ADET
5	37H575 L	5330-99-255-1144	Eleman Dip Keçesi	Seal-Element-Small	1	ADET
6	605011	2920-99-827-4035	Boşaltma Tapası Lastiği	Seal-Drain Plug	1	ADET
7	37H7920	5305-99-824-7535	Boşaltma Tapası	Drain Plug	1	ADET
8	37H8119 L	5307-99-825-8444	Askı Saplaması	Bolt-Centre	1	ADET
9	522940	5330-99-802-2684	Askı Civata Pulu	Washer-Centre Bolt	1	ADET
10	37H770 L	5330-99-943-0008	Askı Saplama "O" Ringi	"O"Ring Centre Bolt	1	ADET
11	517689-L	5365-99-801-4379	Kör Tapa	Plug-Blanking	1	ADET
12	71A00-80354-AB	5310-27-006-2965	Conta	Joint Washer (517706)	1	ADET
13	13H1515 L	4730-99-807-8718	Rakor Saplaması	Bolt-Banjo	1	ADET
14	517976	5310-99-810-2218	Conta	Joint Waher	2	ADET
15	11000-80016-AA	5306-27-006-2703	Civata	Screw (SH108301)	2	ADET
16	11000-80302-AA	5310-27-006-2928	Rondela	Spring Washer	2	ADET
17	71A00-80324-AA	5310-99-122-6475	Pul	Plain Washer (WA108051)	2	ADET
18	NN108021	5310-66-128-4925	Dübel Somunu	Nutsert	2	ADET



NOT:Filtreyi göğüse bağlar

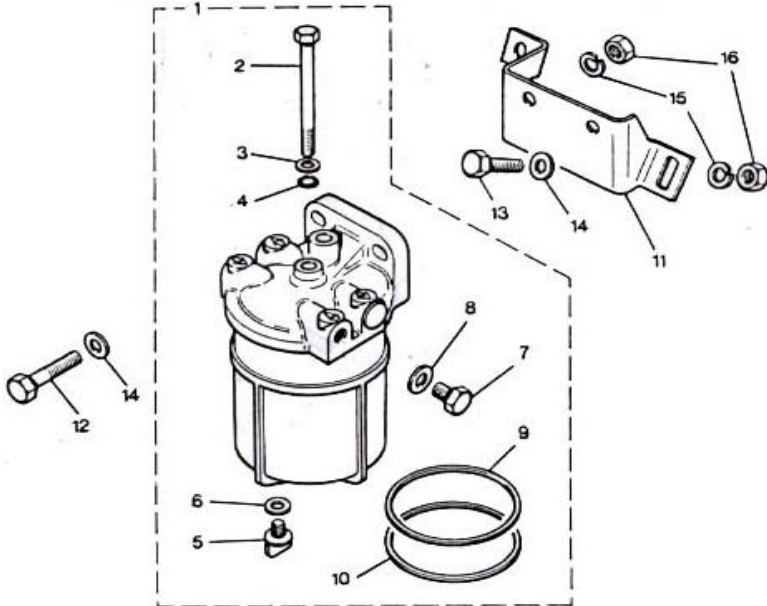
## LAND ROVER 110 YEDEK PARÇALARI

8-9

## YAKIT VE HAVA FİLTRESİ-FUEL AND AIR CLEANER

### SU AYIRICI

RES. NO	PARÇA NO	NATO STOK NO	MALZEMENİN ADI	MALZEMENİN YABANCI ADI	KOMP. MİK.	DAĞ. BİRİMİ
1	562748	2910-99-829-4794	Su Ayırıcı	Sedimentor	1	ADET
2	37H8119	5307-99-825-8444	Askı Civatası	Bolt-Centre	1	ADET
3	522940	5330-99-802-2684	Askı Civata Pulu	Washer-Centre Bolt	1	ADET
4	37H770	5330-99-943-0008	Askı Civatası "O"Ringi	"O"Ring-Centre Bolt	1	ADET
5	37H7920	5305-99-824-7535	Boşaltma Tapası	Drain Plug	1	ADET
6	605011	5330-99-829-4960	Boşaltma Tapa Lastiği	Seal-Drain Plug	1	ADET
7	517689-L	5365-99-801-4379	Kör Tapa	Plug-Blanking	1	ADET
8	71A00-80354-AA	5310-27-006-2965	Pul	Plain Washer (517706)	1	ADET
9	AAU9903	5330-99-829-2705	Conta	Seal	1	ADET
10	AAU9902	5330-99-829-2704	Conta	Seal	1	ADET
11	NRC5623-L	2590-99-022-0138	Bağlama Sacı-Arka	Bracket-Rear Sedimentor	1	ADET
12	11000-80020-AA	5305-99-122-5253	Civata	Bolt (BH108061)	2	ADET
13	11000-80016-AA	5306-27-006-2703	Civata	Screw (SH108201)	2	ADET
14	11000-80324-AA	5310-27-006-2935	Pul	Plain Washer	4	ADET
15	11000-80302-AA	5310-27-006-2928	Rondela	Spring Washer	4	ADET
16	71A00-80203-AA	5310-27-006-2774	Somun	Nut (NH108041)	4	ADET



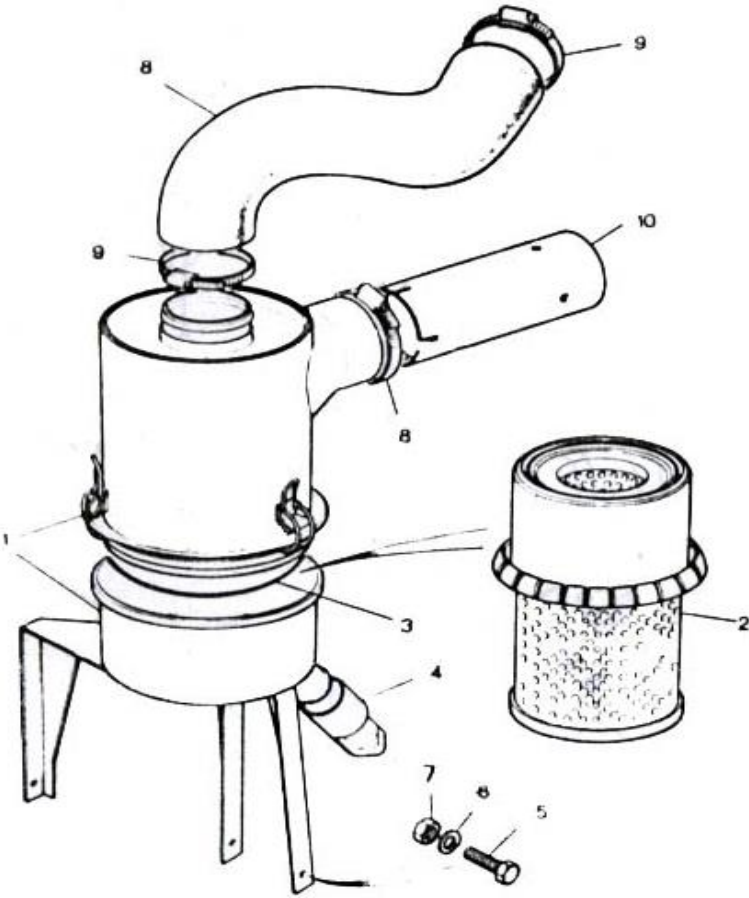
LAND ROVER 110 YEDEK PARÇALARI

8-10

YAKIT VE HAVA FİLTRESİ-FUEL AND AIR CLEANER

HAVA FİLTRESİ (BENZİNLİ)

RES. NO	PARÇA NO	NATO STOK NO	MALZEMENİN ADI	MALZEMENİN YABANCI ADI	KOMP. MİK.	DAĞ. BİRİMİ
1	71A00-16614-AA		Hava Filtresi	Air Cleaner	1	ADET
	71A00-16614-AB		Hava Filtresi	Air Cleaner	1	ADET
2	NRC9238-L	2940-99-738-0282	Filtre Elemanı	Element	1	ADET
3	RRC3746-L	5330-99-891-6973	"Q" Ring	"Q" Ring	1	ADET
4	NRC8955-L	2940-99-729-2975	Toz Kapanı	Dump Valve	1	ADET
	NTC3751	2940-99-573-7246	Toz Kapanı	Dump Valve	1	ADET
5	11000-80006-AA	5305-99-122-5359	Cıvata	Screw (SH106121)	3	ADET
6	11000-80301-AA	5310-27-006-2927	Rondela	Spring Washer	3	ADET
7	71A00-80201-AA	5310-27-006-2772	Somun	Nut (NH106041)	3	ADET
8	71B00-16615-AA		Hortum-Filtreden Karbüratöre	Hose-Filtre to Carburater	1	ADET
9	11015-76050-AA		Hortum Kelepçesi	Hose Clip	2	ADET
	CJ600504-LD	4730-99-788-7622	Hortum Kelepçesi	Hose Clip	2	ADET
10	NRC8987-LD	2940-99-729-2976	Emiş Borusu	Resonator	1	ADET



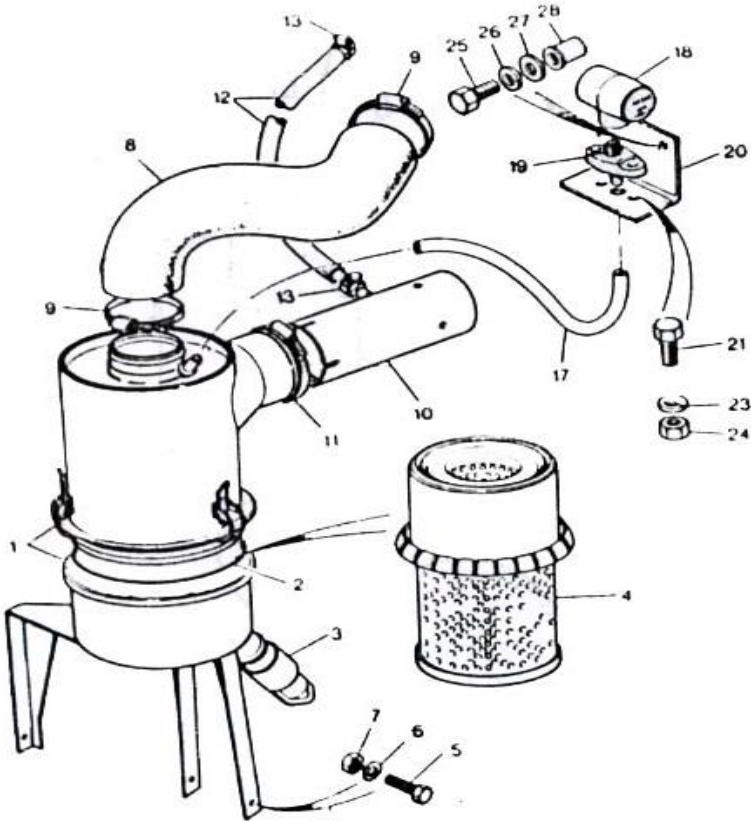
NOT1: Mayıs 1992'den önce.  
 NOT2: Mayıs 1992'den itibaren  
 NOT3: Şasi No FA375497'ye kadar.  
 NOT4: Şasi No FA375498'den itibaren.



NOT5:Ekim 1991'e kadar.  
NOT6:Ekim 1991'den itibaren

## LAND ROVER 110 YEDEK PARÇALARI

### HAVA FİLTRESİ (DİZEL) AIR CLEANER (DIESEL)



8-11

## YAKIT VE HAVA FİLTRESİ-FUEL AND AIR CLEANER

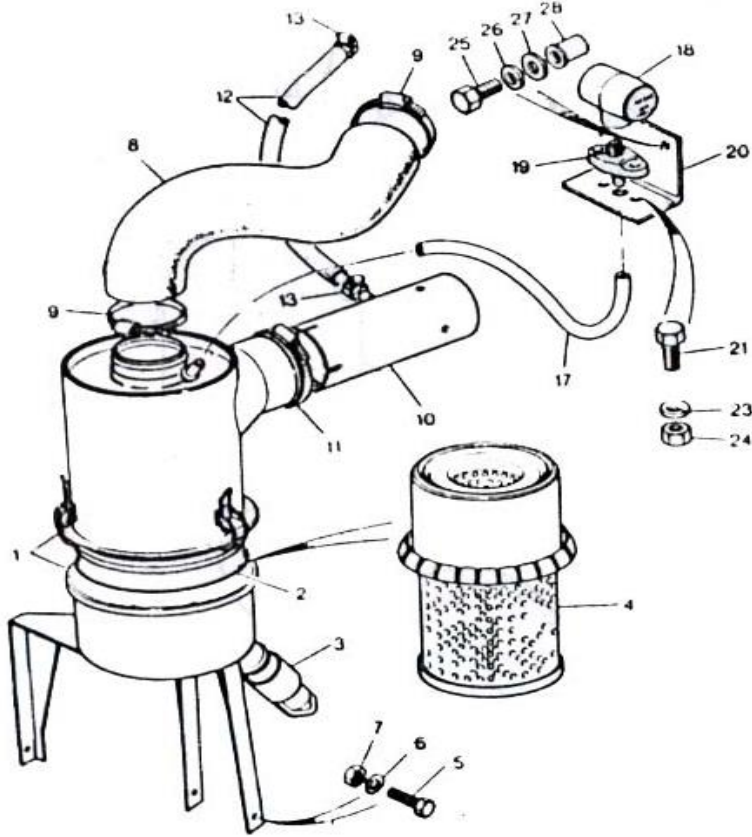
RES. NO	PARÇA NO	NATO STOK NO	MALZEMENİN ADI	MALZEMENİN YABANCI ADI	KOMP. Mik.	DAĞ. BİRİMİ
1	NTC3500-L		Hava Filtresi	Air Cleaner	1	ADET
	71A00-16614-AA		Hava Filtresi	Air Cleaner	1	ADET
	71A00-16614-AB		Hava Filtresi	Air Cleaner	1	ADET
2	RRC3746-L	5330-99-891-6973	"Q" Ring	"Q" Ring	1	ADET
3	NRC8955-L	2940-99-729-2975	Toz Kapanı	Dump Valve	1	ADET
	NTC3751-L	2940-99-573-7246	Toz Kapanı	Dump Valve	1	ADET
4	NRC9238-L	2940-99-738-0282	Filtre Elemanı	Element	1	ADET
5	11000-80006-AA	5305-99-122-5359	Cıvata	Screw (SH106121)	3	ADET
6	11000-80301-AA	5310-27-006-2927	Rondela	Spring Washer	3	ADET
7	71A00-80201-AA	5310-27-006-2772	Somun	Nut (NH106041)	3	ADET
8	NRC8962-LD	4720-99-729-2977	Hortum-Filtreden Manifolda	Hose-Filter to Manifold	1	ADET
9	11015-16760-AA		Hortum Kelepçesi	Hose Clip	2	ADET
	CJ600504-LD	4730-99-788-7622	Hortum Kelepçesi	Hose Clip	2	ADET
10	NRC8987-LD	2940-99-729-2976	Emiş Borusu	Resonator	1	ADET
	NTC4612-L	2940-99-254-2640	Emiş Borusu	Resonator	1	ADET

NOT1:Şasi No FA375497'ye kadar.  
NOT2:Şasi No FA375497'den Mayıs 1992'ye kadar  
NOT3:Mayıs 1992'den itibaren  
NOT4:Şasi No FA375498'den itibaren.  
NOT5:Ekim 1991'e kadar.  
NOT6:Ekim 1991'den itibaren

## LAND ROVER 110 YEDEK PARÇALARI

8-12

## YAKIT VE HAVA FİLTRESİ-FUEL AND AIR CLEANER

HAVA FİLTRESİ (DİZEL)  
AIR CLEANER (DIESEL)

RES. NO	PARÇA NO	NATO STOK NO	MALZEMENİN ADI	MALZEMENİN YABANCI ADI	KOMP. MİK.	DAG. BİRİMİ
11	11015-16761-AA		Hortum Kelepçesi	Hose Clip	1	ADET
	CJ600564-LD	4730-99-533-2970	Hortum Kelepçesi	Hose Clip	1	ADET
12	ETC7969	4720-99-254-2647	Hortum- Havalandırmaya	Hose-Resonator to Top Breather	1	ADET
13	CJ600164L	4730-99-533-2960	Hortum Kelepçesi	Hose Clip	2	ADET
17	NTC4187	4720-99-149-2556	Hortum-Filtreden Göstergeye	Hose-Cleaner to Indicator	1	ADET
18	NTC4611	2940-99-131-1162	Toz Tutucu Uyarı Göstergesi	Restriction Indicator	1	ADET
19	NTC4224	4730-99-814-8097	Adaptör Flanş	Adaptor Flange	1	ADET
20	RRC3011	5340-99-254-2646	Braket	Bracket	1	ADET
21	11000-80007-AA	5306-27-006-2699	Civata	Screw (SH106161)	2	ADET
23	11000-80301-AA	5310-27-006-2927	Rondela	Spring Washer	2	ADET
24	71A00-80201-AA	5310-27-006-2772	Somun	Nut (NH106041)	2	ADET
25	11000-80008-AA	5306-27-006-2700	Civata	Screw (SH106201)	2	ADET
26	11000-80301-AA	5310-27-006-2927	Rondela	Spring Washer	2	ADET
27	11000-80351-AA	5310-27-006-2934	Pul	Plain Washer	2	ADET
28	NN106011L	5310-99-122-7704	Dübel Somunu	Rivnut	2	ADET

NOT:Şasi No FA375498'den itibaren  
NOT1:Ekim 1991'e kadar  
NOT2:Ekim 1991'den itibaren

## LAND ROVER 110 YEDEK PARÇALARI

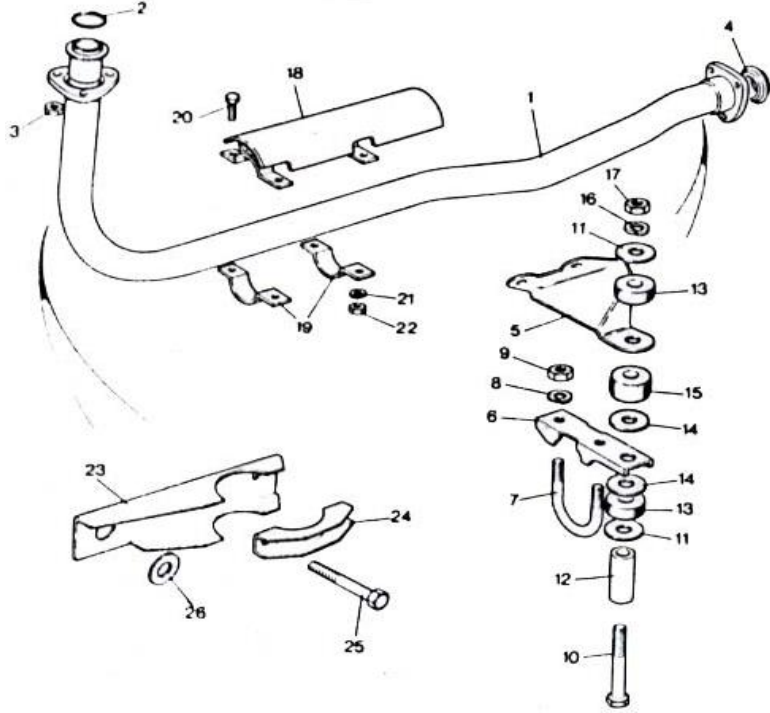
9-1

## EGZOST SİSTEMİ-EXHAUST SYSTEM

## ÖN EGZOST-4 SİLİNDİR

RES. NO	PARÇA NO	NATO STOK NO	MALZEMENİN ADI	MALZEMENİN YABANCI ADI	KOMP. MİK.	DAG. BİRİMİ
---------	----------	--------------	----------------	------------------------	------------	-------------

## FRONT EXHAUST-4 CYLINDER



1	NTC1794-LM		Benzinli Egzost Borusu Kmpl.Ön	Exhaust Downpipe (Petrol)	1	ADET
	NTC1793-LM	2990-99-774-9208	Dizel Egzost Borusu Kmpl.On	Exhaust Downpipe (Diesel)	1	ADET
	ESR1617	2990-99-774-9208	Egzost Borusu Kmp.On (Dizel)	Exhaust Downpipe (Diesel)	1	ADET
2	ETC5337	5330-99-774-6797	Conta	Sealing Washer	1	ADET
3	AFU2778	5310-99-725-6985	Somun	Nut-Pipe to Manifold	3	ADET
4	NTC2731-LD	4730-99-774-9213	Yüksük	Olive	1	ADET
5	ESR0169-LD	2990-99-877-1148	Braket	Bracket	1	ADET
6	575748-LM	2990-99-825-6082	Kelepçe	Clamp Plate	1	ADET
7	NRC6466	5306-99-721-3564	U Civata	U Bolt	1	ADET
	NRC6374-LD	5306-99-796-7492	U Civata	U Bolt	1	ADET
8	11000-80302-AA	5310-27-006-2928	Rondela	Spring Washer	2	ADET
9	71A00-80203-AA	5310-27-006-2774	Somun	Nut (NH108041)	2	ADET
10	SH108701L	5305-99-630-0095	Civata	Bolt	1	ADET
11	WP105L	5310-99-215-0673	Rondela	Spring Washer	2	ADET
12	592072-LD	5365-99-825-6087	Ara Parça	Spacer	1	ADET
13	572166-L	5365-99-825-6084	Lastik Burcu	Rubber Bush	2	ADET

NOT1:Şasi No JA911705'e kadar.  
 NOT2:Şasi No JA911706'dan itibaren  
 NOT3:Ağustos 1993'e kadar.  
 NOT4:Ağustos 1993'ten itibaren  
 NOT5:Şasi No 290071'e kadar.  
 NOT6:Şasi No 290072'ye kadar.

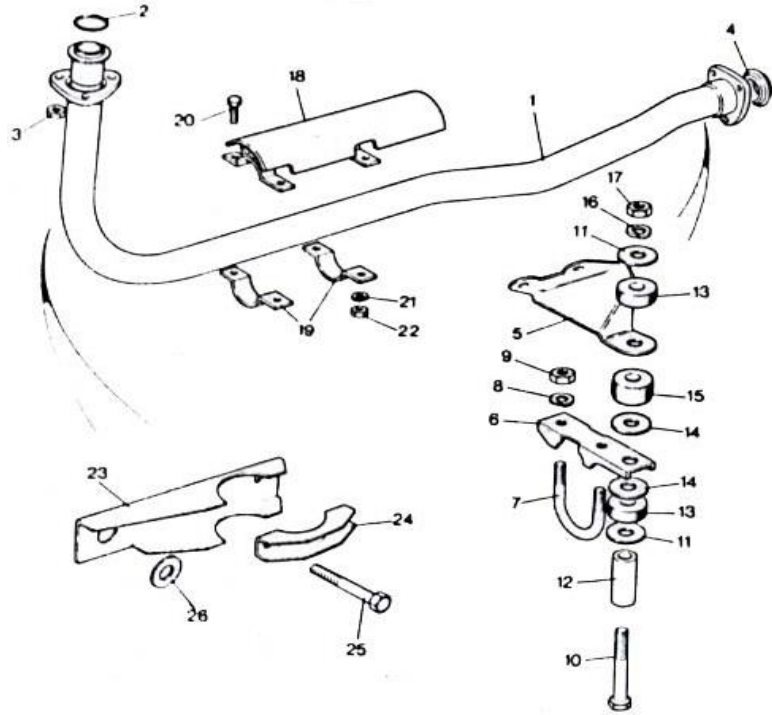
### LAND ROVER 110 YEDEK PARÇALARI

#### ÖN EGZOST-4 SİLİNDİR

9-2

### EGZOST SİSTEMİ-EXHAUST SYSTEM

RES. NO	PARÇA NO	NATO STOK NO	MALZEMENİN ADI	MALZEMENİN YABANCI ADI	KOMP. MİK.	DAĞ. BİRİMİ
14	572168-L	5330-99-825-6085	Pul	Washer	1	ADET
15	572167-L	5365-99-825-6086	Lastik Burcu	Rubber Bush	1	ADET
16	11000-80302-AA	5310-27-006-2928	Rondela	Spring Washer	1	ADET



17	71A00-80203-AA	5310-27-006-2774	Somun	Nut (NH108041)	1	ADET
18	NTC2275-LM		Egzost Isi Kalkani	Exhaust Heatshield	1	ADET
19	NTC2278-LM	5340-99-564-8361	Boru Kelepçesi	Pipe Clamp	2	ADET
20	11000-80016-AA	5306-27-006-2703	Civata	Screw (SH108201)	4	ADET
21	11000-80302-AA	5310-27-006-2928	Rondela	Spring Washer	4	ADET
22	71A00-80203-AA	5310-27-006-2774	Somun	Nut (NH108041)	4	ADET
23	NTC4580-LM	2990-99-789-1474	Destek Braketi Komple.	Support Bracket Assy	1	ADET
24	NTC4586-LM	2990-99-789-1477	Boru Kelepçesi	Pipe Clamp	1	ADET
25	71A00-80024-AA		Civata	Bolt (BH108131)	2	ADET
26	71A00-80328-AA	5310-27-006-2951	Pul	Plain Washer	1	ADET

NOT:Şasi No EA338367'den FA405333'e kadar.

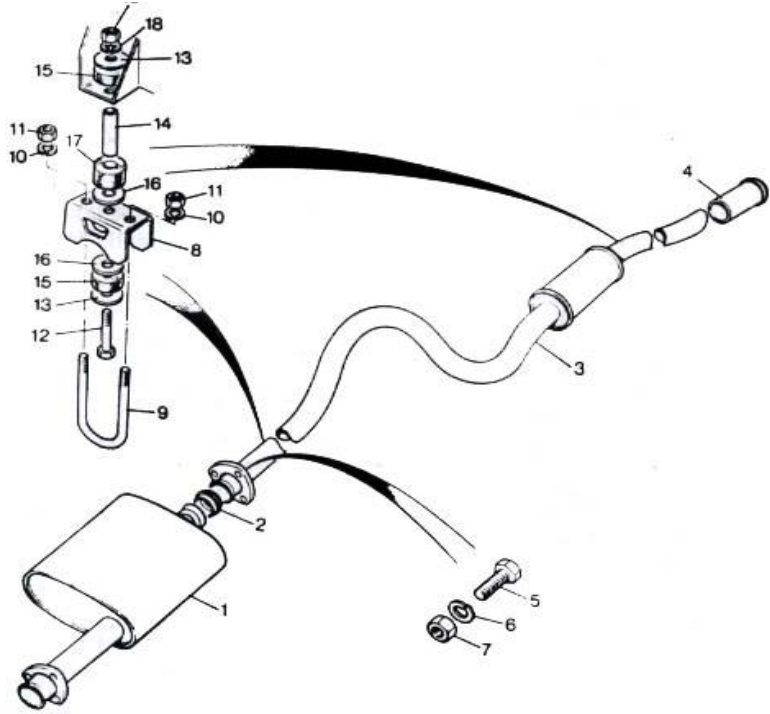
## LAND ROVER 110 YEDEK PARÇALARI

9-3

## EGZOST SİSTEMİ-EXHAUST SYSTEM

### SUSTURUCULAR SILENCERS

RES. NO	PARÇA NO	NATO STOK NO	MALZEMENİN ADI	MALZEMENİN YABANCI ADI	KOMP. MİK.	DAG. BİRİMİ
1	NTC1797-LM	2990-99-256-9517	ÖnSusturucu	FrontSilencer	1	ADET
2	NTC2731-LD	4730-99-774-9213	Yüksük	Olive	1	ADET
3	NTC1800-LD	2990-99-774-9214	ArkaSusturucu	RearSilencer	1	ADET
4	NRC8238	2990-99-301-1645	ArkaBoru	Finisher-Tailpipe	1	ADET
5	14C01-80103-AA	5305-99-122-5256	Civata	Bolt	6	ADET



	14C01-80135-AA	5305-99-122-5255	Civata	Screw	6	ADET
6	11000-80302-AA	5310-27-006-2928	Rondela	Spring Washer	6	ADET
	11000-80354-AA	5310-27-006-2935	Pul	Plain Washer	6	ADET
7	71A00-80203-AA	5310-27-006-2774	Somun	Nut	6	ADET
	71A00-80264-AA		SıkmalıSomun	Nut	6	ADET
8	NRC7608-L	2990-99-721-3570	KelepçePlakası	ClampPlate	2	ADET
9	NRC7609-LD	5306-99-721-3571	U Civata	UBolt	2	ADET
10	11000-80302-AA	5310-27-006-2928	Rondela	Spring Washer	4	ADET
11	71A00-80203-AA	5310-27-006-2774	Somun	Nut(NH108041)	4	ADET
12	SH108701	5305-99-630-0095	Civata	Bolt	2	ADET
13	71A00-32009-AA		Pul	Washer	4	ADET
14	592072-LD	5365-99-825-6087	AraParca	Spacer	2	ADET
15	572166-L	5365-99-825-6084	LastikBurcu	RubberBush	4	ADET
16	572168-L	5330-99-825-6085	Pul	Washer	4	ADET
17	572167-L	5365-99-825-6086	LastikBurcu	RubberBush	2	ADET
18	11000-80302-AA	5310-27-006-2928	Rondela	Spring Washer	2	ADET
19	71A00-80203-AA	5310-27-006-2774	Somun	Nut(NH108041)	2	ADET
20	NRC7581-L		Braket-ArkaEgzost	Bracket-RearExhaust	1	ADET

NOT1:Eylül 1993'e kadar  
NOT2:Eylül 1993'den itibaren

## LAND ROVER 110 YEDEK PARÇALARI

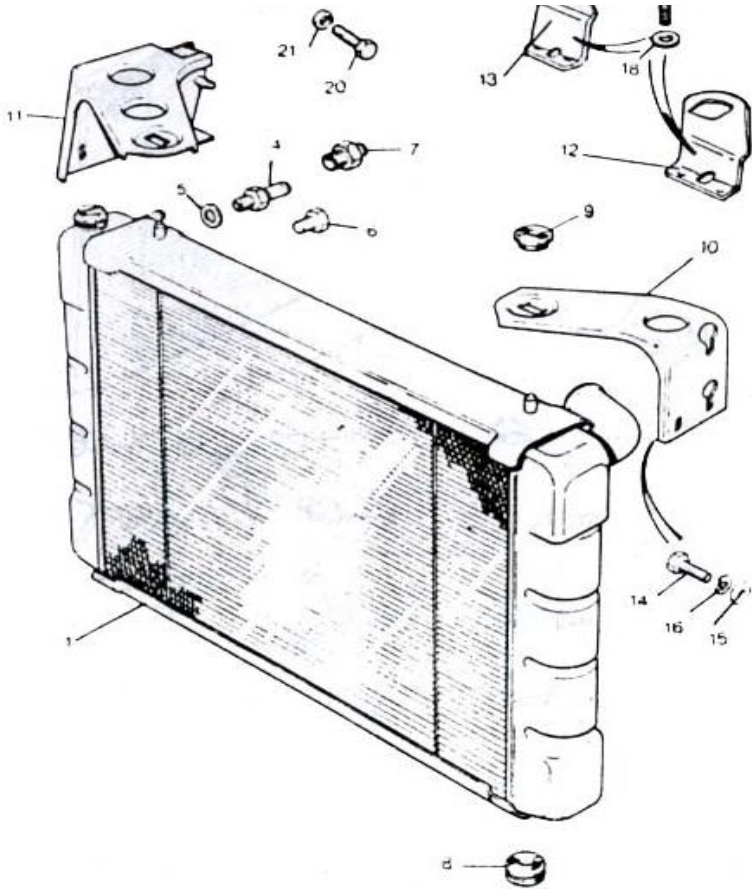
10-1

## SOĞUTMA VE ISITMA-COOLING AND HEATING

### SOĞUTMA SİSTEMİ-RADYATÖR COOLING SYSTEM-RADIATOR



RES. NO	PARÇA NO	NATO STOK NO	MALZEMENİN ADI	MALZEMENİN YABANCI ADI	KOMP. MİK.	DAĞ. BİRİMİ
1	71A00-38062-AB	2930-27-010-1319	RadyatorKomple	RadiatorAssy	1	ADET
	ESR0078-LD	2930-99-792-2134	RadyatorKomple	RadiatorAssy	1	ADET
	ESR1677	2930-99-215-6690	RadyatorKomple	RadiatorAssy	1	ADET
5	RR02125-L	5330-99-721-3634	Pul	Plain Washer	1	ADET
6	RR02126-L	5365-99-721-3633	Tapa	Plug	1	ADET
8	572312-L	2930-99-825-6069	LastikBurc-Alt	BushRubber-Lower	2	ADET
9	NRC5544	5325-99-721-3635	RadyatorUstBraketi	BushRadiatorMounting	2	ADET

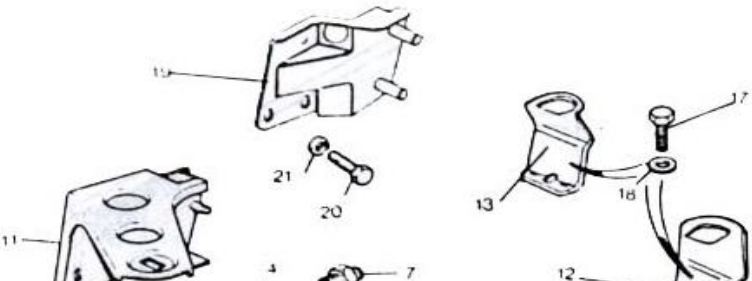


10	NRC4839-LD	2590-99-781-2250	ÜstBağlamaAyağı-Sol	UpperMountingBracket-LH	1	ADET
11	NRC8609-LD	2510-99-254-7545	ÜstBağlamaAyağı-Sağ	UpperMountingBracket-RH	1	ADET
12	ESR0069-L	5340-99-811-5502	RadyatorBraketi-Sol	BracketRadiator-LH	1	ADET
	ESR0069-LD	5340-99-811-5502	RadyatorBraketi-Sol	BracketRadiator-LH	1	ADET
	ESR0068-L	5340-99-853-3415	RadyatorBraketi-Sag	BracketRadiator-RH	1	ADET
	ESR0068-LD	5340-99-853-3415	RadyatorBraketi-Sag	BracketRadiator-RH	1	ADET

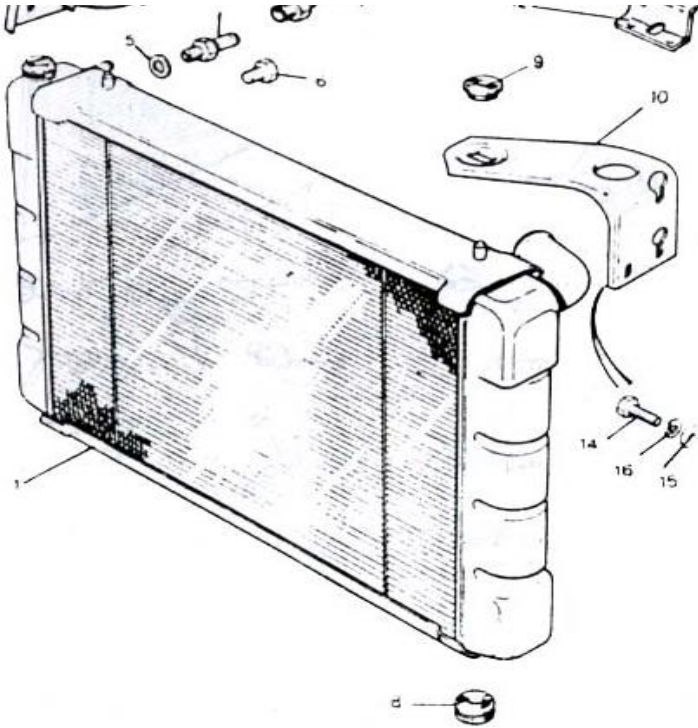
NOT1:Şubat 1992'ye kadar  
 NOT2:Şubat 1992'den Şasi No JA919832'ye kadar.  
 NOT3:Şasi No JA919832'den itibaren.  
 NOT4:Mart 1992'ye kadar.  
 NOT5:Mart 1992'den itibaren.  
 NOT6:Şasi No JA910952'den itibaren.

## LAND ROVER 110 YEDEK PARÇALARI

### SOĞUTMA SİSTEMİ-RADYATÖR



10-2		SOĞUTMA VE ISITMA-COOLING AND HEATING				
RES. NO	PARÇA NO	NATO STOK NO	MALZEMENİN ADI	MALZEMENİN YABANCI ADI	KOMP. MİK.	DAĞ. BİRİMİ
14	11000-80008-AA	5306-27-006-2700	Civata	Screw(SH106201)	6	ADET
15	71A00-80318-AA	5310-27-006-2946	Pul	Plain Washer	6	ADET
16	11000-80301-AA	5310-27-006-2927	Rondela	Spring Washer(WL106041)	6	ADET
17	71A00-80008-AA	5306-27-006-2713	Civata	Screw(SH106207)	4	ADET
18	71A00-80320-AA	5310-27-006-2948	Pul	Plain Washer(WC106047)	4	ADET
19	ALR1982		DestekBraketi	BracketSupport	1	ADET
20	71A00-80008-AA	5306-27-006-2713	Civata	Screw(SH106207)	3	ADET
21	71A00-80320-AA	5310-27-006-2948	Pul	Plain Washer(WC106047)	3	ADET
	71A00-80320-AA	5310-27-006-2948	Pul	Plain Washer(WC106047)	3	ADET



NOT1:Şubat 1992'ye kadar  
 NOT2:Şubat 1992'den Şasi No JA919832'ye kadar.  
 NOT3:Şasi No JA919832'den itibaren.  
 NOT4:Mart 1992'ye kadar.  
 NOT5:Mart 1992'den itibaren.  
 NOT6:Şasi No JA910952'den itibaren.

## LAND ROVER 110 YEDEK PARÇALARI

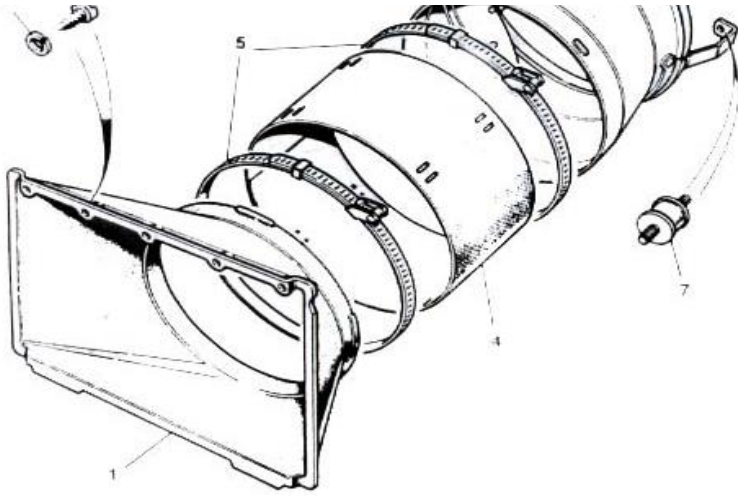
10-3

## SOĞUTMA VE ISITMA-COOLING AND HEATING

### DAVLUMBAZ FAN COWL

RES. NO	PARÇA NO	NATO STOK NO	MALZEMENİN ADI	MALZEMENİN YABANCI ADI	KOMP. MİK.	DAG. BİRİMİ
1	NRC3977-L	2930-99-721-3637	Davlumbaz-Radyatör	FanCowl-Radiator	1	ADET
	NTC3936-LD		Davlumbaz-Radyatör	FanCowl-Radiator	1	ADET
2	562979	5930-00-504-6855	Civata	Screw	5	ADET
3	WS600041L	5310-99-941-6627	Rondela	Spring Washer	5	ADET
	WS600047L	5310-99-083-2878	Rondela	Spring Washer	4	ADET
4	NRC7227-L	2540-99-721-3641	HavaKanalı	Ducting	1	ADET
5	71A00-38139-AA	2540-99-721-3642	Kelepçe	Clip(NRC6430)	2	ADET
6	ETC4989-L	2930-99-729-2971	DavlumbazMotor	FanCowlAssembly	1	ADET
7	ETC4993-L	5340-99-741-6578	EsnekTakoz	FlexibleMounting	3	ADET
8	11000-80354-AA	5310-27-006-2935	Pul	Plain Washer	2	ADET
9	11000-80302-AA	5310-27-006-2928	Rondela	Spring Washer	6	ADET
10	71A00-80203-AA	5310-27-006-2774	Somun	Nut(NH108041)	5	ADET





NOT1:Şasi No FA389798'e kadar.  
NOT2:Şasi No FA389799'dan itibaren

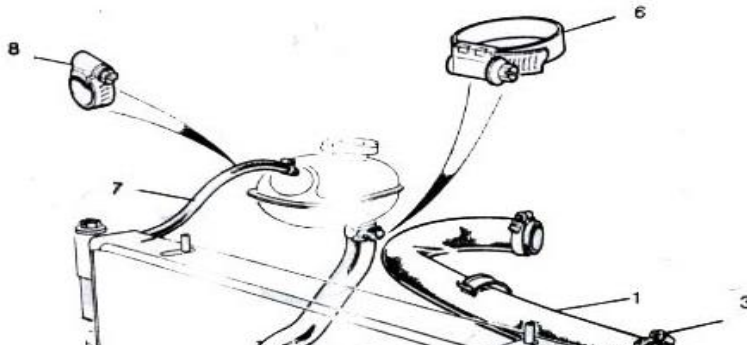
### LAND ROVER 110 YEDEK PARÇALARI

10-4

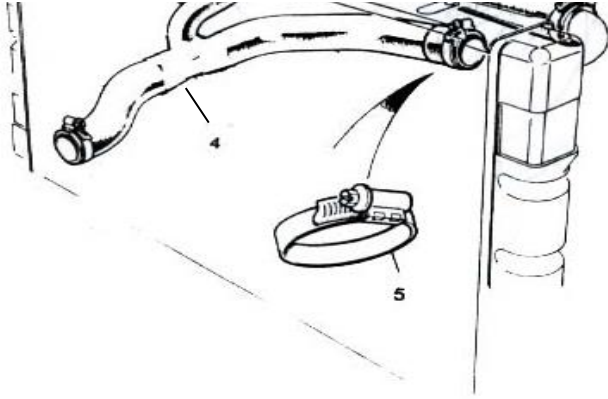
### SOĞUTMA VE ISITMA-COOLING AND HEATING

#### SOĞUTMA SİSTEMİ-RADYATÖR HORTUMLARI-2.5 LİTRE COOLING SYSTEM-RADIATOR HOSES-2.5 LİTRE

RES. NO	PARÇA NO	NATO STOK NO	MALZEMENİN ADI	MALZEMENİN YABANCI ADI	KOMP. MİK.	DAG. BİRİMİ
1	NTC2029-LD	4720-99-741-6580	ÜstHortum	TopHose	1	ADET
	NTC3069-LD	4720-99-549-3239	ÜstHortum	TopHose	1	ADET
3	14C01-38141-AA		HortumKelepçesi	HoseClip	2	ADET
	CN100508-LD	4730-99-420-3230	HortumKelepçesi	HoseClip	2	ADET
4	NTC3453-L	4720-99-741-7044	AltHortum	BottomHose	1	ADET
5	14C01-38141-AA		HortumKelepçesi	HoseClip	2	ADET
	CN100508-LD	4730-99-420-3230	HortumKelepçesi	HoseClip	2	ADET
6	71A00-38142-AA	4730-99-798-0799	HortumKelepçesi	HoseClip	1	ADET
	CN100308-LD	4730-99-798-0799	HortumKelepçesi	HoseClip	1	ADET
7	NRC9726-L	4720-99-791-2254	Hortum-RadyatördenDepoya	Hose-RadiatorToTank	1	ADET
8	AAU1979-LD		HortumKelepçesi	HoseClip	2	ADET
	CN100168-LD	4730-99-564-2831	HortumKelepçesi	HoseClip	2	ADET







NOT1: Mart 1992'ye kadar.  
 NOT2: Mart 1992'den itibaren  
 NOT3: Ekim 1991'den önce.  
 NOT4: Ekim 1992'den itibaren.  
 NOT5: Ekim 1993'e kadar.  
 NOT6: Ekim 1993'ten itibaren.

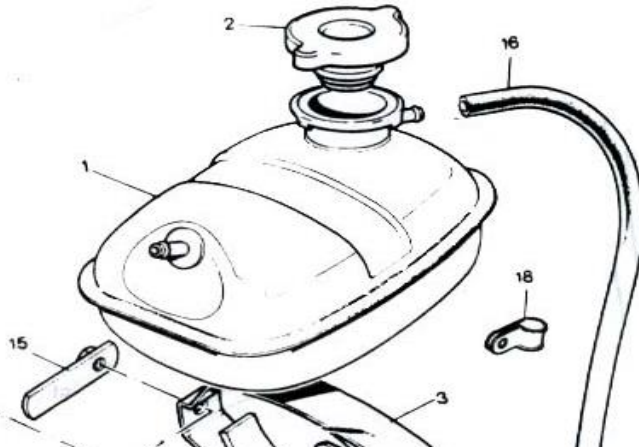
## LAND ROVER 110 YEDEK PARÇALARI

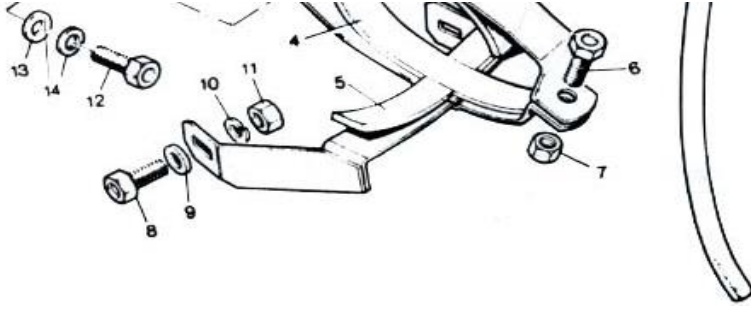
10-5

## SOĞUTMA VE ISITMA-COOLING AND HEATING

### GENLEŞME TANKI

RES. NO	PARÇA NO	NATO STOK NO	MALZEMENİN ADI	MALZEMENİN YABANCI ADI	KOMP. MİK.	DAG. BİRİMİ
1	NTC2737	2930-99-930-4317	Genleşme Tankı	Expansion Tank	1	ADET
2	RTC3610	2930-99-812-0318	Kapak	Cap	1	ADET
3	NRC6692-LD	2930-99-254-7499	Taşıyıcı	Carrier	1	ADET
4	71A00-38147-AA		Poliüretan Kayış	Polyurethane Strip	2	ADET
5	71A00-38148-AA		Poliüretan Kayış	Polyurethane Strip	2	ADET
6	71000-80008-AA	5305-66-128-5010	Civata	Screw(SH106207)	1	ADET
7	71A00-80211-AA	5310-99-138-8423	Fiberli Somun	Nyloc Nut(NY106041)	1	ADET
8	71000-80008-AA	5305-66-128-5010	Civata	Screw(SH106207)	2	ADET
9	71A00-80320-AA	5310-27-006-2948	Pul	Plain Washer(WC106047)	4	ADET
10	11000-80301-AA	5310-27-006-2927	Rondela	Spring Washer(WL106007)	2	ADET
11	71A00-80202-AA		Somun	Nut(NH108047)	2	ADET
	11000-80008-AA	5306-27-006-2700	Civata	Screw(SH106201)	2	ADET
12	71000-80008-AA	5305-66-128-5010	Civata	Screw(SH106207)	1	ADET
13	71A00-80320-AA	5310-27-006-2948	Pul	Plain Washer(WC106047)	1	ADET
14	11000-80301-AA	5310-27-006-2927	Rondela	Spring Washer(WL106007)	1	ADET
15	NRC7133-L	5310-99-254-7506	Somunlu Saç	Nut Plate	1	ADET
16	564724-L	4720-99-805-7762	Taşıma Hortumu	Hose Overflow	1	ADET
18	71A00-80593-AA		'P' Kelepçe	'P' Clip(E9122)	1	ADET





NOT:Bağlantı elemanları Şasi No FA389798'e kadar geçerlidir.

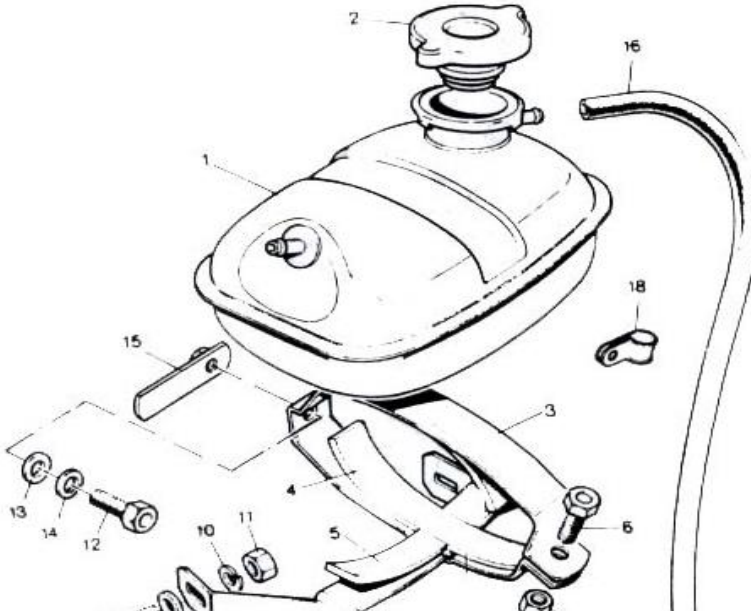
## LAND ROVER 110 YEDEK PARÇALARI

10-6

## SOĞUTMA VE ISITMA-COOLING AND HEATING

### GENLEŞME TANKI EX PANSİYON TANK

RES. NO	PARÇA NO	NATO STOK NO	MALZEMENİN ADI	MALZEMENİN YABANCI ADI	KOMP. Mik.	DAĞ. Birimi
1	NTC2737	2930-99-930-4317	Genleşme Tankı	Expansion Tank	1	ADET
2	RTC3610	2930-99-812-0318	Kapak	Cap	1	ADET
3	NRC6692-LD	2930-99-254-7499	Taşıyıcı	Carrier	1	ADET
4	71A00-38147-AA		Poliüretan Kayış	Polyurethane Strip	2	ADET
5	71A00-38148-AA		Poliüretan Kayış	Polyurethane Strip	2	ADET
6	11000-80008-AA	5306-27-006-2700	Civata	Screw(SH106201)	1	ADET
7	71A00-80211-AA	5310-99-138-8423	Fiberli Somun	NylocNut(NY106041)	1	ADET
11	71A00-80318-AA	5310-27-006-2946	Pul	Plain Washer	4	ADET
	11000-80301-AA	5310-27-006-2927	Rondela	Spring Washer(WL106007)	2	ADET
	71A00-80201-AA	5310-27-006-2772	Somun	Nut(NH108041)	2	ADET
14	11000-80008-AA	5306-27-006-2700	Civata	Screw(SH106201)	1	ADET
	71A00-80318-AA	5310-27-006-2946	Pul	Plain Washer	1	ADET
	11000-80301-AA	5310-27-006-2927	Rondela	Spring Washer	1	ADET
15	NRC7133-L	5310-99-254-7506	Somunlu Saç	NutPlate	1	ADET
16	564724-L	4720-99-805-7762	Taşırma Hortumu	Hose Overflow	1	ADET
18	71A00-80593-AA		'P'Kelepçe	'P'Clip(CP106121)	1	ADET





NOT:Bağlantı elemanları FA389799'Dan itibaren geçerlidir.

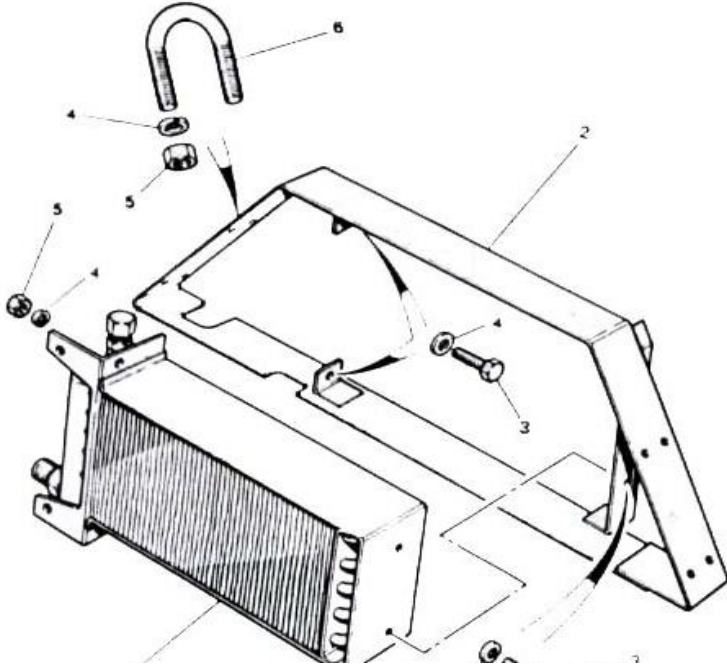
### LAND ROVER 110 YEDEK PARÇALARI

10-7

### SOĞUTMA VE ISITMA-COOLING AND HEATING

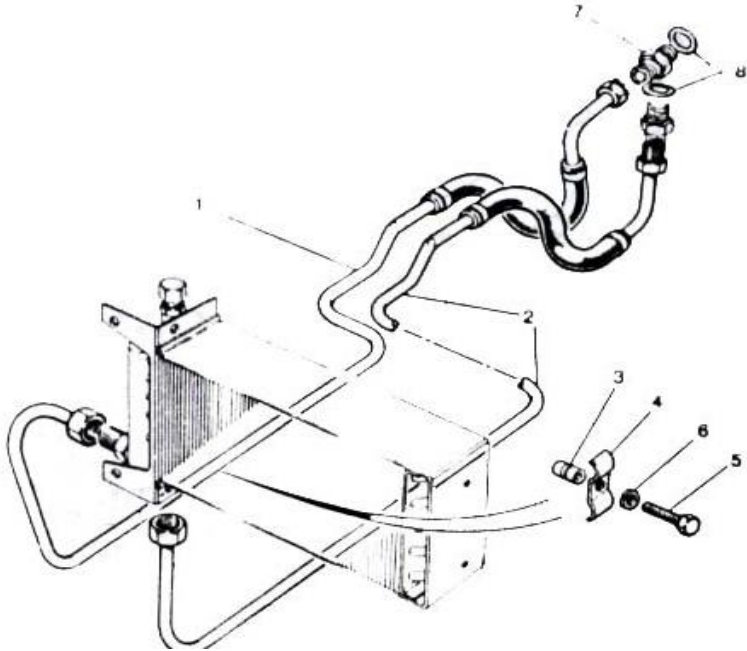
#### YAĞ SOĞUTUCU VE BAĞLANTI YERİ

RES. NO	PARÇA NO	NATO STOK NO	MALZEMENİN ADI	MALZEMENİN YABANCI ADI	KOMP. Mik.	DAG. Birimi
1	NRC7741-LD	2930-99-739-9260	YağSoğutucu	OilCooler	1	ADET
2	NRC7458-LD	2590-99-978-2200	YağSoğutucuDışÇerçevesi	Frame-OilCoolerMounting	1	ADET
3	11000-80006-AA	5305-99-122-5359	Civata	Screw(SH106121)	4	ADET
4	11000-80301-AA	5310-27-006-2927	Rondela	Spring Washer	14	ADET
5	11000-80201-AA	5310-27-006-2768	Somun	Nut(NH106041)	10	ADET
6	NRC7459-L	5306-99-125-9210	"U" Civata	"U" Bolt	4	ADET



LAND ROVER 110 YEDEK PARÇALARI

YAĞ RADYATÖRÜ BORULARI



10-8

SOĞUTMA VE ISITMA-COOLING AND HEATING

RES. NO	PARÇA NO	NATO STOK NO	MALZEMENİN ADI	MALZEMENİN YABANCI ADI	KOMP. MİK.	DAG. BİRİMİ
1	NRC8507-L	4710-99-740-0278	Boru Komitesi-Besleme	Pipe Assembly-Feed	1	ADET
	ESR0280-LD		Boru Komitesi-Besleme	Pipe Assembly-Feed	1	ADET
	ESR1912-LD	4710-99-225-6185	Boru Komitesi-Besleme	Pipe Assembly-Feed	1	ADET
2	NRC8508-L	4710-99-740-0279	Boru Komitesi-Dönüş	Pipe Assembly-Return	1	ADET
	ESR0281-LD		Boru Komitesi-Dönüş	Pipe Assembly-Return	1	ADET
	ESR1913-LD	4710-99-396-1210	Boru Komitesi-Dönüş	Pipe Assembly-Return	1	ADET
3	NTC3858-L	4730-99-147-0851	Adaptör	Adaptor	2	ADET
	ESR1262-LD		Adaptör	Adaptor	2	ADET
4	NN106011	5310-99-122-7704	Dübel Somunu	Rivnut	1	ADET
5	594637-L	2540-99-825-4922	Kelepçe	Saddle Clip	1	ADET
	594637-LD	2540-99-825-4922	Kelepçe	Saddle Clip	1	ADET
6	11000-80007-AA	5306-27-006-2699	Civata	Screw(SH106161)	1	ADET
7	11000-80301-AA	5310-27-006-2927	Yaylı Rondela	Spring Washer	1	ADET
8	NRC8618-LD	4730-99-739-9262	Boru Kaplin	Pipe Coupling	2	ADET
	71A00-38172-AA		Rakor	Sleeve	2	ADET
9	71A00-80386-AA		Bakır Pul	Copper Washer	2	ADET
	71A00-38174-AA		O-Ring	O-Ring	3	ADET

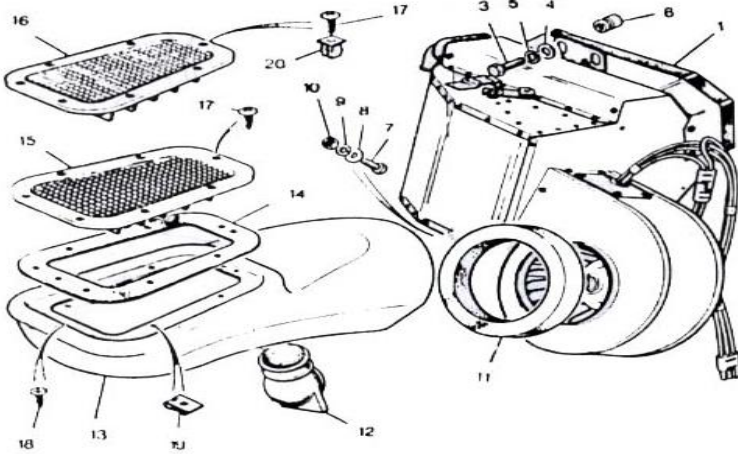
LAND ROVER 110 YEDEK PARÇALARI

ISITMA SİSTEMİ-KALORİFER

10-9

SOĞUTMA VE ISITMA-COOLING AND HEATING

RES. NO	PARÇA NO	NATO STOK NO	MALZEMENİN ADI	MALZEMENİN YABANCI ADI	KOMP. MİK.	DAG. BİRİMİ
1	MTC7652-LD	2540-99-728-9239	KaloriferKomple	HeaterAssembly-LHD	1	ADET
	RRC3524	2540-99-739-9680	KaloriferKomple	HeaterAssembly	1	ADET
3	11000-80014-AA	5306-27-006-2702	Civata	Screw(SH108161)	2	ADET
4	RTC610	5310-99-941-8623	Pul	Plain Washer	1	ADET
5	11000-80302-AA	5310-27-006-2928	Rondela	Spring Washer	2	ADET
6	NN108021	5310-66-128-4925	DübelSomunu	Nutsert	2	ADET
7	11000-80007-AA	5306-27-006-2699	Civata	Screw(SH106161)	2	ADET
8	11000-80351-AA	5310-27-006-2934	Pul	Plain Washer	2	ADET
9	11000-80301-AA	5310-27-006-2927	Rondela	Spring Washer	2	ADET
10	71A00-80201-AA	5310-27-006-2772	Somun	Nut(NH106041)	2	ADET
11	MRC8378-L	2540-99-721-4413	Keçe	Seal	1	ADET
12	MUC2417-L	2940-99-729-2980	TozKapanı	DumpValve	1	ADET
13	MUC2418-LD	2540-99-722-8578	Kanal-Sağ	Duct-RH	1	ADET
14	MRC9998-L	5330-99-721-4414	KanalÇamurlukContası	SealDucttoWing	1	ADET
15	MRC9938-LD	2540-99-771-6981	IzgaraSolÇamurluk	Finisher-LH	1	ADET
16	MRC9941-LD	2540-99-771-6982	IzgaraSağÇamurluk	Finisher-RH	1	ADET
17	71A00-81346-AA	5305-99-722-6780	SacVidası	DriveScrew(AB608065)	14	ADET
18	11000-81334-AA	5305-99-950-4416	SacVidası	DriveScrew(AC606041)	4	ADET
19	71A00-80456-AA	5310-99-137-6549	Dübel	SpireClip(AJ608041)	9	ADET
20	CZK619	5310-99-728-6154	SomunKilidi	NutLockut	9	ADET



NOT1:Normal tip.

NOT2:Parazit izolasyonlu tip.

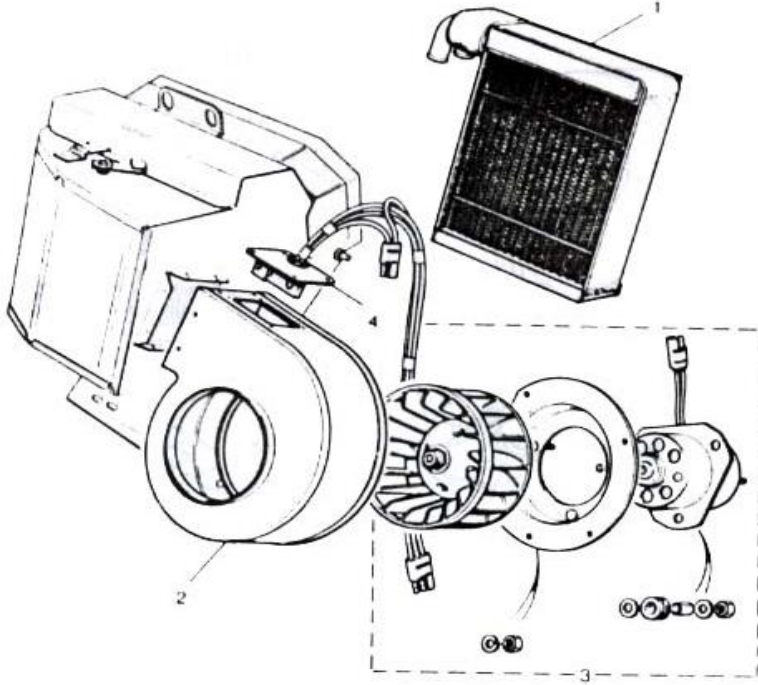
## LAND ROVER 110 YEDEK PARÇALARI

10-10

## SOĞUTMA VE ISITMA-COOLING AND HEATING

## KALORİFER

RES. NO	PARÇA NO	NATO STOK NO	MALZEMENİN ADI	MALZEMENİN YABANCI ADI	KOMP. Mik.	DAG. BİRİMİ
1	AAP817-LD	2540-99-721-4399	Petek Komple	Radiator	1	ADET
2	AAP811-L	2540-99-771-6977	Salyangoz Komple	VoluteAssy	1	ADET
3	AAP0805-LD		Motor ve Rotor Komple	MotorAndRotorAssy	1	ADET
	UTP1268	2540-99-739-7168	Motor ve Rotor	MotorAndRotor	1	ADET
4	AAP0889-LD		Rezistör Komple	HarnessandResistorAssy	1	ADET



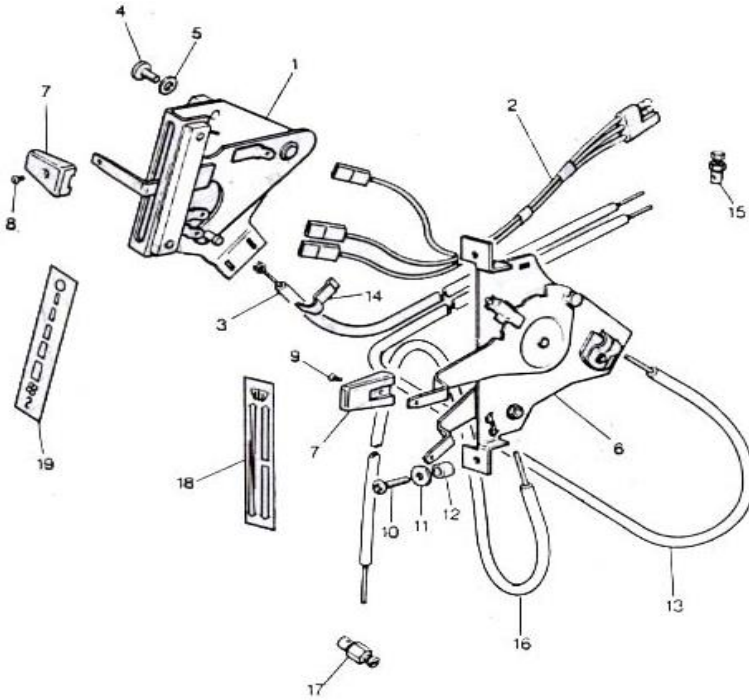
NOT1:Normal tip.  
 NOT2:Parazit izolasyonlu tip.  
 NOT3:Bu parça parazit izolasyonlu tiplerde UTP1268'in içinde.

## LAND ROVER 110 YEDEK PARÇALARI

10-11

## SOĞUTMA VE ISITMA-COOLING AND HEATING

## ISITICI KUMANDALARI



RES. NO	PARÇA NO	NATO STOK NO	MALZEMENİN ADI	MALZEMENİN YABANCI ADI	KOMP. MİK.	DAG. BİRİMİ
1	71A00-76250-AA	5930-27-006-2783	Kontrol Kolları	Control Assembly-Outlet	1	ADET
2	AAP0890-LD		Kablo Takımı	WiringHarness	1	ADET
3	AAP0876-LD	2540-99-721-4409	Kontrol Teli	ControlCable-Outlet	1	ADET
4	SE105164L	5305-99-206-2392	Civata	Screw	2	ADET
5	71A00-80317-AA	5310-27-006-2940	Pul	Plain Washer (WA105004)	2	ADET
6	347586-L	2540-99-825-4079	Kumanda Levheleri	MountingPlateAndLevers	1	ADET
7	MTC2805-L	5355-99-721-4404	Levy Kol Ucu	Knob-Lever	3	ADET
8	71A00-81334-AA	5305-99-122-5271	Civata	Screw(SG103084)	1	ADET
9	MTC7737	5305-99-941-1937	Civata	Screw	2	ADET
10	71A00-80144-AA	5305-27-006-2727	Civata	Screw	2	ADET
11	AFU1248-LD	5310-99-788-7397	Pul	Plain Washer	2	ADET
12	MRC9922-L	5365-99-721-4408	Mesafe Parçası	Spacer	2	ADET
13	MTC6194-LD	2540-99-721-4410	Karışım Kontrol Teli	ControlCable-Blend	1	ADET
14	13H7343-L	5340-99-838-7475	Kablo Kelepçesi	CableClip	2	ADET
15	MTC5760-L	2540-99-721-4411	Kılıf	Trunnion	2	ADET
16	347939-L	2540-99-822-6471	Dağıtım Kumanda Kablosu	ControlCable-Distribution	1	ADET
17	553951-L		Dağıtım Kablosu Kılıfı	Trunnion-DistributionCable	1	ADET
18	MTC6006-LD	7690-99-887-3690	Etiket-Isıtma	Label-Heater	1	ADET
19	MTC6007-LD	7690-99-234-3137	Etiket Havalandırma	Label-Fan	1	ADET

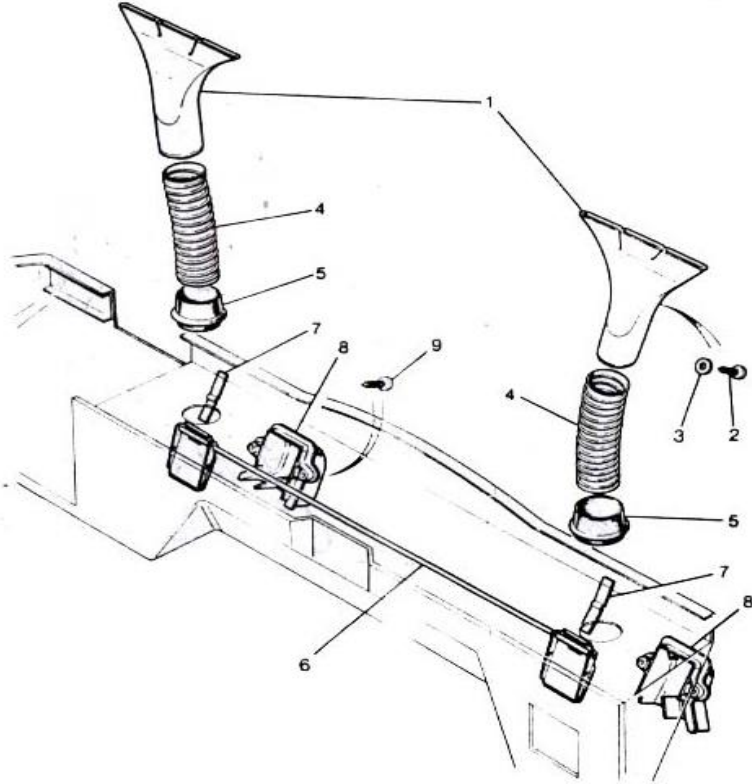
## LAND ROVER 110 YEDEK PARÇALARI

10-12

## SOĞUTMA VE ISITMA-COOLING AND HEATING

### BUĞU KANALLARI VE KAPAKCIKLAR DEMİSTERS AND OUTLET FLAPS

RES. NO	PARÇA NO	NATO STOK NO	MALZEMENİN ADI	MALZEMENİN YABANCI ADI	KOMP. MİK.	DAG. BİRİMİ
1	MRC9668-LD	2590-99-803-8650	Buğu Kanalı Sağ	DemisterOutletRH	1	ADET
	MRC9669-LD	2590-99-605-7767	Buğu Kanalı Sol	DemisterOutletLH	1	ADET



	MXC3188-L		Buğu Kanalı Sağ	Demister Outlet RH	1	ADET
	MXC3188-LD		Buğu Kanalı Sağ	Demister Outlet RH	1	ADET
	MXC3189-L		Buğu Kanalı Sol	Demister Outlet LH	1	ADET
	MXC3189-LD		Buğu Kanalı Sol	Demister Outlet LH	1	ADET
	BTR1599-LD	2540-99-257-8184	Buğu Kanalı Sol	Demister Outlet LH	1	ADET
	BTR1600-LD	2540-99-215-4519	Buğu Kanalı Sağ	Demister Outlet RH	1	ADET
2	71A00-81341-AA	5306-27-006-2746	Sac Vidası	Drive Screw	2	ADET
3	71A00-80315-AA	5310-99-122-3032	Pul	Plain Washer	2	ADET
4	MTC6382	2540-99-721-4421	Esnek Hortum	Flexible Tube	2	ADET
5	MRC7281-LD	5325-99-721-4422	Gromet	Grommet	2	ADET
6	346894-LD	2540-99-825-4082	Kapakçılar-Komple	Outlet Flaps Complete	1	ADET
	BTR1349	2590-99-133-4791	Kapakçıklar Komple	Outlet Flaps Complete	1	ADET
7	346976	5360-99-824-3471	Kapakçık Yayı	Spring-Outlet Flaps	2	ADET
8	395829-L	2540-99-825-4080	Sıcak Hava Çıkış Ağızı-Sağ	Heater Duct-Outlet Grille-RH	1	ADET
	395830-L	2540-99-825-4081	Sıcak Hava Çıkış Ağızı-Sol	Heater Duct-Outlet Grille-LH	1	ADET
9	MRC1525	5305-99-137-9215	Vida	Drive Screw	4	ADET

NOT1: Ağustos 1990'a kadar.  
 NOT2: Ağustos 1990'dan Nisan 1991'e kadar.  
 NOT3: Nisan 1991'den Mart 1993'e kadar  
 NOT4: Mart 1993'ten itibaren.  
 NOT5: Şasi No HA905500'e kadar.  
 NOT6: Şasi No HA905501'den itibaren.

## LAND ROVER 110 YEDEK PARÇALARI

10-13

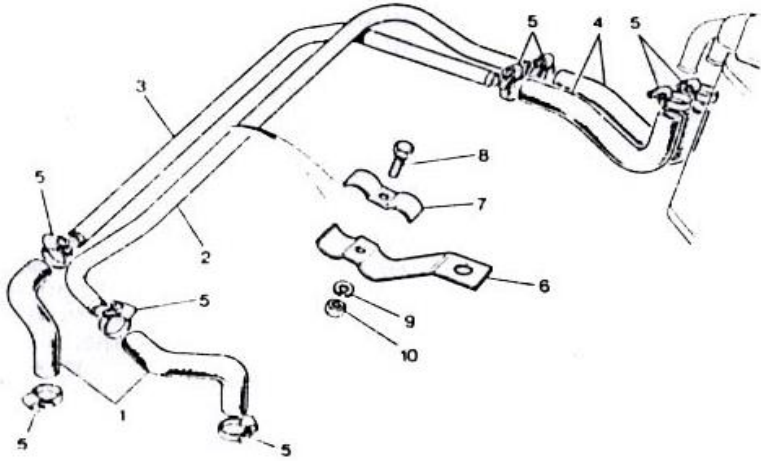
## SOĞUTMA VE ISITMA-COOLING AND HEATING

### KALORİFER BORULARI

RES. NO	PARÇA NO	NATO STOK NO	MALZEMENİN ADI	MALZEMENİN YABANCI ADI	KOMP. MİK.	DAĞ. BİRİMİ
1	NRC6306-L	4720-99-839-5430	Hortum-Besleme ve Geri Dönüş	Hose-Engine Feed And Retrun	2	ADET
2	NRC6422-LD	4710-99-258-1265	Boru-Isıtıcı Besleme	Pipe-Heater Feed	1	ADET
3	NRC6421-L	4710-99-663-8344	Dönüş Borusu	Pipe-Heater Retrun	1	ADET
4	NRC6309-L	4720-99-839-5423	Besleme ve Dönüş Borusu	Hose-Heater Feed And Return	2	ADET



5	71A00-38142-AA	4730-99-798-0799	Hortum Kelepçesi	HoseClip(CN100308)	8	ADET
6	NRC6417-L		Kelepçe (Benzinli)	Clip (Petrol)	1	ADET
	NRC6418-L	5340-99-930-8735	Kelepçe (Dizel)	Clip (Diesel)	1	ADET
7	NRC6419-L	5340-99-496-1780	Kelepçe	Saddle Clip	3	ADET
8	11000-80009-AA	5306-27-006-2701	Civata	Screw (SH106251)	2	ADET
9	11000-80301-AA	5310-27-006-2927	Rondela	Spring Washer	2	ADET
10	71A00-80201-AA	5310-27-006-2772	Somun	Nut(NH106041)	2	ADET



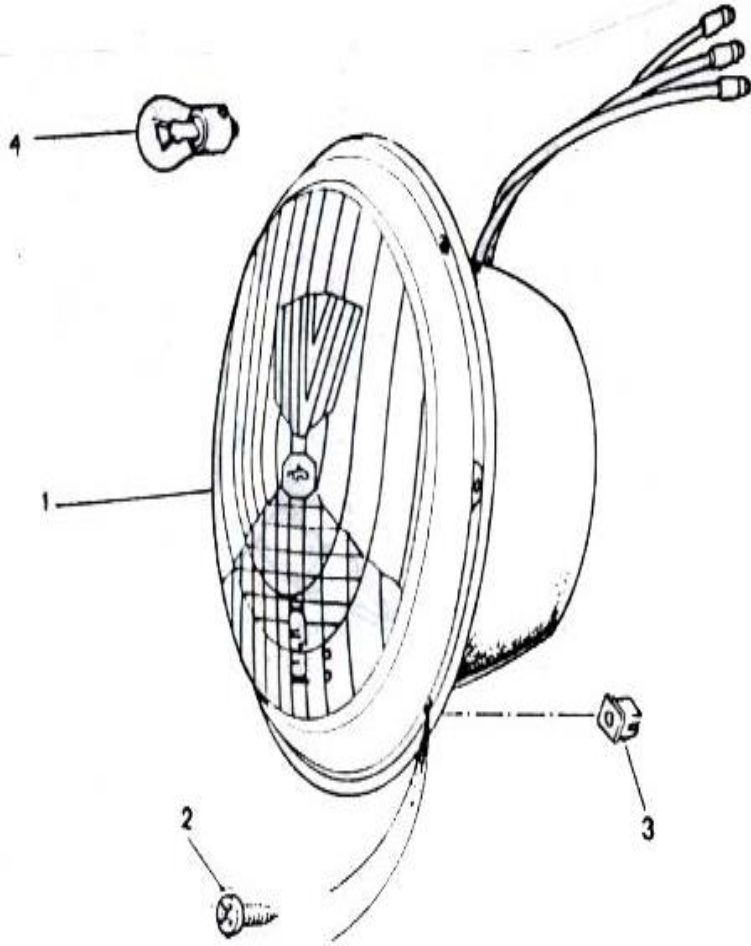
### LAND ROVER 110 YEDEK PARÇALARI

11-1

### ELEKTRİK-ELECTRICAL

### ÖN FARLAR HEADLAMPS

RES. NO	PARÇA NO	NATO STOK NO	MALZEMENİN ADI	MALZEMENİN YABANCI ADI	KOMP. Mik.	DAĞ. BİRİMİ
1	71A00-36027-AA		Ön Far Komple	Head lamp Assy	2	ADET
	71A00-36370-AA		Ön Far Komple	Head lamp Assy	2	ADET
2	79307-L	5305-99-951-1478	Vida	Screw	8	ADET
3	79051	5310-99-138-0422	Dübel	LockNut	8	ADET
4	11000-81506-AA		Ampul 45/40 W	Bulb	2	ADET
	31B05-36160-AA		Ampul 12 V 60/55 W	Bulb	2	ADET



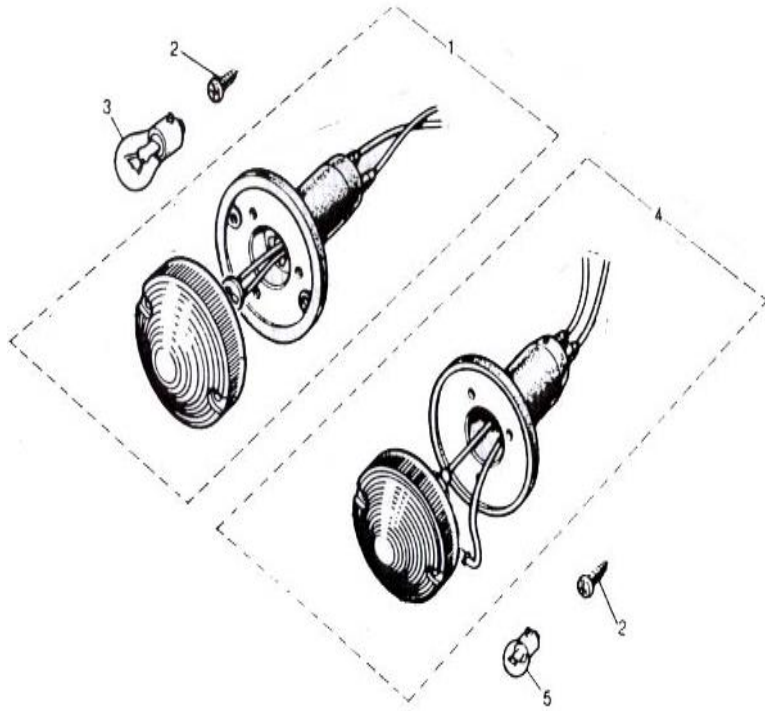
NOT1: Temmuz 1991'e kadar.  
NOT2: Temmuz 1991'den itibaren.

### ÖN PARK VE SİNYAL LAMBALARI FRONT SIDE & INDICATOR LAMPS

11-2

### ELEKTRİK-ELECTRICAL

RES. NO	PARÇA NO	NATO STOK NO	MALZEMENİN ADI	MALZEMENİN YABANCI ADI	KOMP. MİK.	DAG. BİRİMİ
1	PRC5161-LD	6620-27-006-2861	Sinyal Lambası-Ön	Indicator Lamp-Front	2	ADET
2	11000-81436-AA	5305-99-950-4416	Vida	Screw (AB606041)	12	ADET
3	31C00-36050-AA	6220-27-006-2925	Ampul-Sinyal Lambası	Bulb-Indicator Lamp	2	ADET
4	PRC5162-LD	6620-27-006-2862	Park Lambası-Ön	Front Side Lamp.	2	ADET
5	11000-81501-AA	6240-27-006-2923	Ampul-Park Lambası	Bulb-Side Lamp.	2	ADET



LAND ROVER 110 YEDEK PARÇALARI

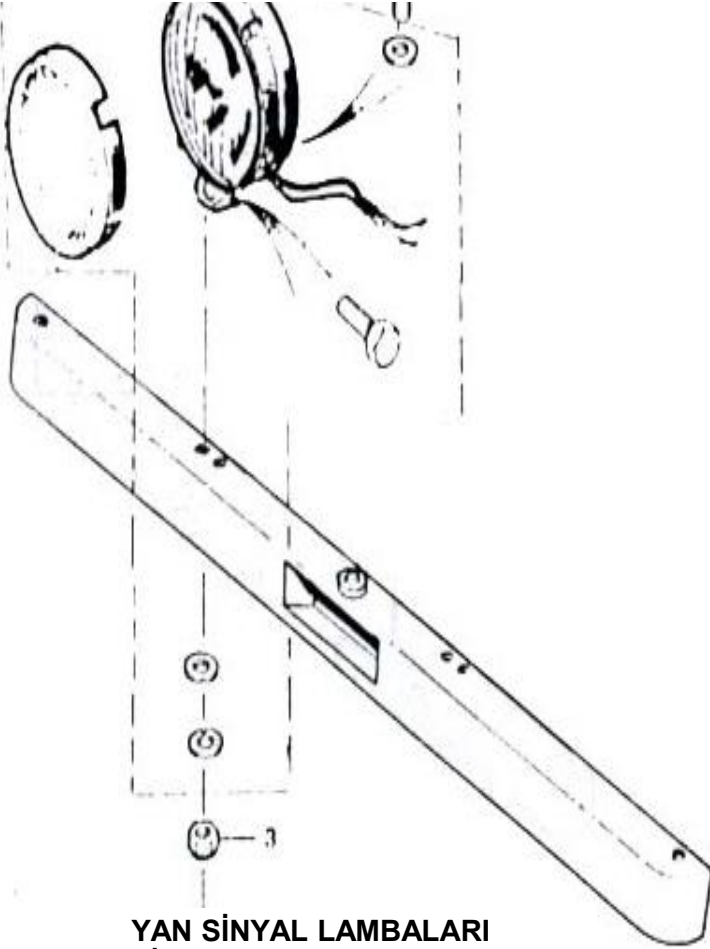
11-3

ELEKTRİK-ELECTRICAL

ÖN SİS FARI  
FRONT FOG LAMP

RES. NO	PARÇA NO	NATO STOK NO	MALZEMENİN ADI	MALZEMENİN YABANCI ADI	KOMP. Mik.	DAG. BİRİMİ
1	71A10-36180-AA	6210-27-006-2884	Ön Sis Farı Komple-Yuvarlak	Frnt.Fog Lamp Assy-Circular	2	ADET
	71A10-36330-AA		Ön Sis Farı Komple-Dörtgen	Frnt.Fog Lamp Assy-Rectangle	2	ADET
2	11000-80008-AA	5306-27-006-2700	Civata	Screw (SH106201)	4	ADET
3	11000-80201-AA	5310-27-006-2768	Somun	Nut (SH105201)	4	ADET

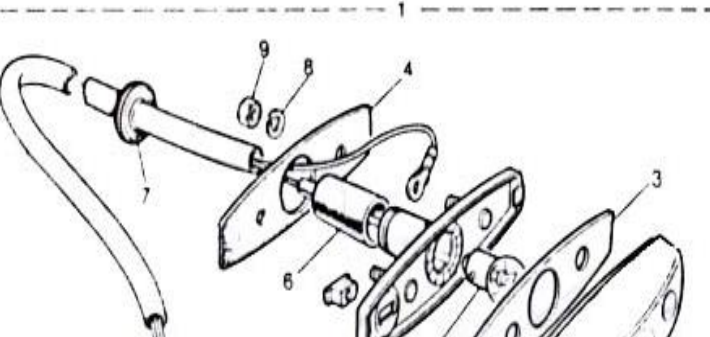


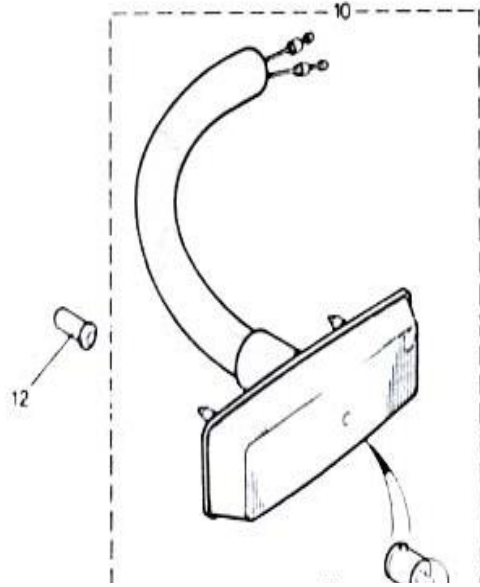


**YAN SİNYAL LAMBALARI  
SIDE REPEATER LAMPS**

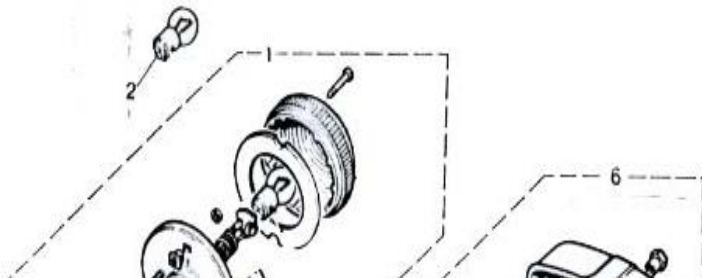
NOT1:Alternatif parçalar.

11-4		ELEKTRİK-ELECTRICAL				
RES. NO	PARÇA NO	NATO STOK NO	MALZEMENİN ADI	MALZEMENİN YABANCI ADI	KOMP. Mik.	DAG. BİRİMİ
1	589143	6220-99-730-6265	Yan Sinyal Lambası	Side Repeater Lamp	2	ADET
2	27H2403L	6220-99-804-8091	Lens Komple	Lens Assembly	2	ADET
3	608311	6220-99-804-8092	Conta	Gasket	2	ADET
4	608312	6220-99-805-1983	Conta	Gasket	2	ADET
5	570822	6240-99-995-3248	Ampul	Bulb	2	ADET
6	515060	5325-99-751-5643	Gromet	Grommet	2	ADET
7	233243	5325-99-895-1817	Gromet	Grommet	2	ADET
8	WM704001L	5310-99-300-0835	Rondela	Spring Washer	4	ADET
9	257203	5310-99-945-8431	Somun	Nut	4	ADET
10	PRC7044	6220-66-128-5301	YanSinyal	Side Repeater Lamp	2	ADET
11	RTC5929		Ampul	Bulb	2	ADET
12	MWC9606	5325-66-128-5358	Dübel	Friction Bush	4	ADET
	AFU1926	5340-99-977-2493	Somun-Siyah	Captive Nut-Black	4	ADET



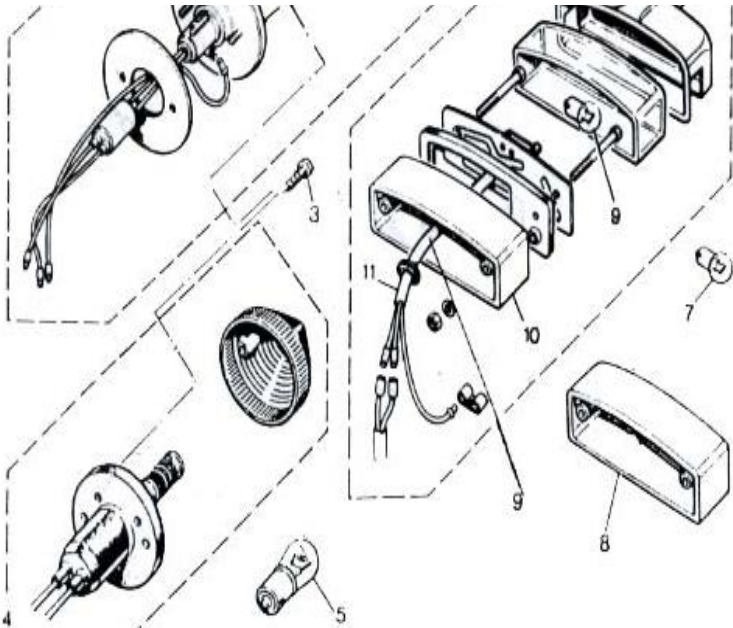


**STOP-ARKA SİNYAL VE PLAKA LAMBALARI**  
**STOP-TAIL LAMP-REAR INDICATOR LAMP-NUMBER**  
**PLATE LAMP**

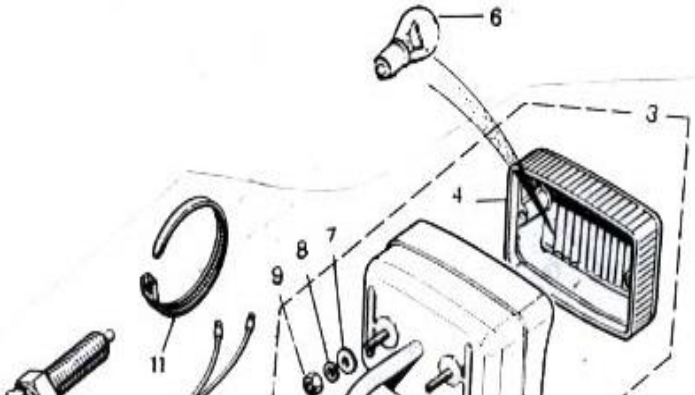


NOT1:Şasi No 331921'e kadar.  
NOT2:Şasi No 331922'den sonra  
NOT3:Birbirinin yerine kullanılabilir.  
NOT4:Artık kullanılmamaktadır

11-5		ELEKTRİK-ELECTRICAL				
RES. NO	PARÇA NO	NATO STOK NO	MALZEMENİN ADI	MALZEMENİN YABANCI ADI	KOMP. Mik.	DAG. Birimi
1	589419-LD	6220-99-830-4740	STOP LAMBASI KOMPLE	STOP-TAILLAMP	2	ADET
2	11000-81502-AA		Ampul 21/5W	Bulb	2	ADET
3	11000-81338-AA	5306-27-006-2739	Vida	Screw(AB606031)	12	ADET
4	PRC5161-LD	6620-27-006-2861	Sinyal Lambası-Arka	IndicatorLamp-Rear	2	ADET
5	31C00-36050-AA	6220-27-006-2925	Ampul 21W	Bulb	2	ADET
6	71A00-36071-AB		PLAKA LAMBASI	NUMBERPLATELAMP	1	ADET
7	71A00-81512-AA		Ampul 4W	Bulb	1	ADET
8	345597-L	2540-99-825-5448	Plaka Lamba Bloğu	Plinth-Lamp	1	ADET
	PRC3588	5975-99-254-7592	Plaka Lamba Bloğu	Plinth-Lamp	1	ADET
9	PRC3617	5995-99-254-7593	Kablo Plaka Lambası	Cable-NoPlateLamp	1	ADET
	589026	6150-99-824-3465	Kablo	Cable	1	ADET



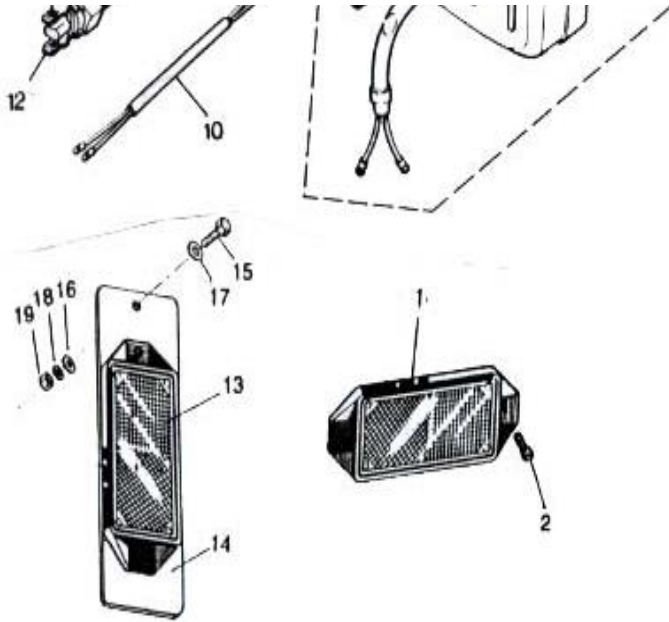
**ARKA REFLEKTÖRLER-ARKA SIS LAMBASI-GERİ VİTES LAMBASI VE GERİ VİTES MÜŞİRİ**  
**REAR REFLECTORS-REAR FOG LAMP-REVERSE LAMP-REVERSE LAMP SWITCHES**



11-6

ELEKTRİK-ELECTRICAL

RES. NO	PARÇA NO	NATO STOK NO	MALZEMENİN ADI	MALZEMENİN YABANCI ADI	KOMP. MİK.	DAG. BİRİMİ
1	MUC1715-LD	9905-99-729-3005	Reflektör	Reflector	2	ADET
2	71A00-81342-AA	5306-27-006-2747	Sac Vidası	Drive Screw (AR608031)	4	ADET
3	71A00-36067-AA		Geri Vites Lambası	Reverse Lamp	1	ADET
	PRC2516	6220-99-792-3351	Arka Sis Lambası	Rear Fog Lamp	1	ADET
4	RTC4183	6220-99-978-3127	Lens-Kırmızı-Arka Sis Lambası	Lens-Red-Rear Fog Lamp	1	ADET
6	31C00-36050-AA	6220-27-006-2925	Ampul 21W	Bulb	1	ADET
7	71000-80315-AA	5310-99-122-3032	Pul	Plain Washer	2	ADET
8	11000-80300-AA	5310-27-006-2926	Rondela	Spring Washer	2	ADET
9	11000-80200-AA		Somun	Nut (NH105001)	2	ADET
10	PRC2876-LD	2590-99-797-3862	Kablo Komple-4 Silindir	Cable Assy-4 Cylinder	1	ADET
11	C43640		Şerit Kelepçe	Cable Tie	2	ADET
12	71A00-36315-AA		Geri Vites Müşiri-4 Silindir	Switch-Reverse Lamp-4 Cylinder	1	ADET
	71A00-36316-AA	5310-99-741-8559	Kilitli Somun Geri Vites Müşiri	Lock Nut-R/lamp SW4Cyl (22A1613)	1	ADET
13	71A00-36034-AA		Reflektör	Reflector	2	ADET
14	71A10-36296-AB		Lastik Reflektör Bağl.	Rubber-Reflector Mounting	2	ADET
15	11015-80110-AA	5306-27-006-2718	Civata	Bolt (BH110181)	2	ADET
16	71A00-80327-AA	5310-99-122-6476	Pul	Plain Washer	4	ADET



PROJEKTÖR

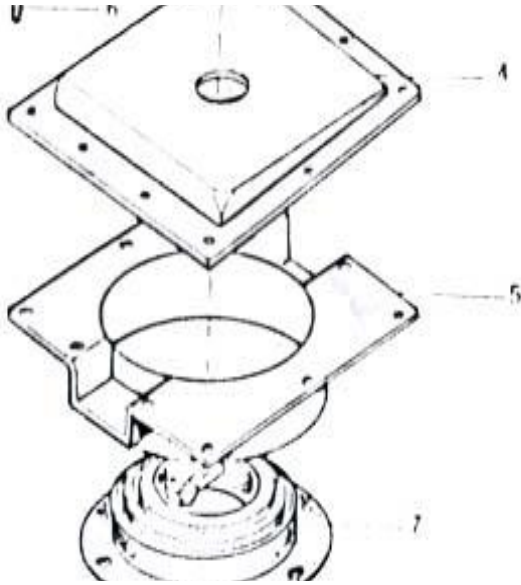


17	71A10-36284-AB	5365-27-006-2887	AraPul	Distance Piece	2	ADET
18	11000-80303-AA	5310-27-006-2929	Rondela	Spring Washer (WL110001)	2	ADET
19	12B07-80207-AA	5310-27-006-2770	Somun	Nut(NH110041)	2	ADET

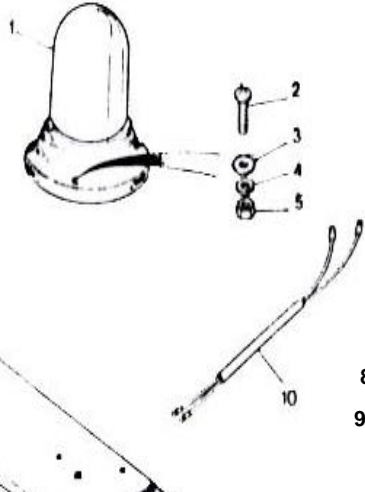
11-7

ELEKTRİK-ELECTRICAL

RES. NO	PARÇA NO	NATO STOK NO	MALZEMENİN ADI	MALZEMENİN YABANCI ADI	KOMP. MİK.	DAG. BİRİMİ
1	71A10-36706-AA		Projektör Komple	Projector Assy	1	ADET
	73B00-36061-AA		Projektör Komple-Kit	Projector Assy-Kit	1	ADET
2	71A10-36717-AA		Spiral Kablo	Cable	1	ADET
3	71A10-36272-AA		Ampul H3	Bulb	1	ADET
4	71A10-36119-AB		Dış Sac	Plate-Outer	1	ADET
5	71A10-58102-AA		İç Sac	Plate-Inner	1	ADET
6	RA612317		Perçin	Rivet	10	ADET
7	71A10-72065-AA		Körük	Gaiter	1	ADET
8	MWC9832		Dübel	Plastic Locut	3	ADET
9	71A10-36720-AA		Terminal	Terminal	1	ADET
10	71A10-36011-AA		Klip	Clip	1	ADET



**İŞILDAK LAMBALARI VE BAĞLANTISI  
ROTATING ROOF BEACON & MOUNTING**



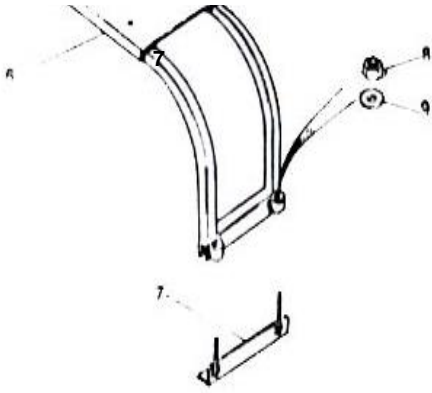
NOT1:Şasi No 8FF378214'e kadar.  
NOT2:Şasi No 8FF378215'den sonra.

11-8

ELEKTRİK-ELECTRICAL

RES. NO	PARÇA NO	NATO STOK NO	MALZEMENİN ADI	MALZEMENİN YABANCI ADI	KOMP. MİK.	DAĞ. BİRİMİ
1	71B21-36062-AA		İşıldak	Rotating Roof Beacon	2	ADET
2	14C01-80124-AA		Civata	Bolt	6	ADET
3	14C01-80391-AA	5310-27-006-2938	Pul	Washer	6	ADET
4	14C01-80311-AA	5310-99-977-1102	Rondela	Spring Washer (WL104001)	6	ADET
5	14C01-80228-AA		Somun	Nut	6	ADET
6	71A10-36830-BA		İşıldak Set Kemerli Komple	Mounting Frame-R.R.B.	1	ADET
7	71A10-36810-BA		L Sac Komple	L Plate Assy	1	ADET
8	14C01-80243-AA	5310-27-006-2761	Fiberli Somun	Nyloc Nut (NY108041)	4	ADET
9	11000-80354-AA	5310-27-006-2935	Pul	Washer	4	ADET
10	71A10-36153-AA		Kablo-Negatif	Cable-Negative	2	ADET



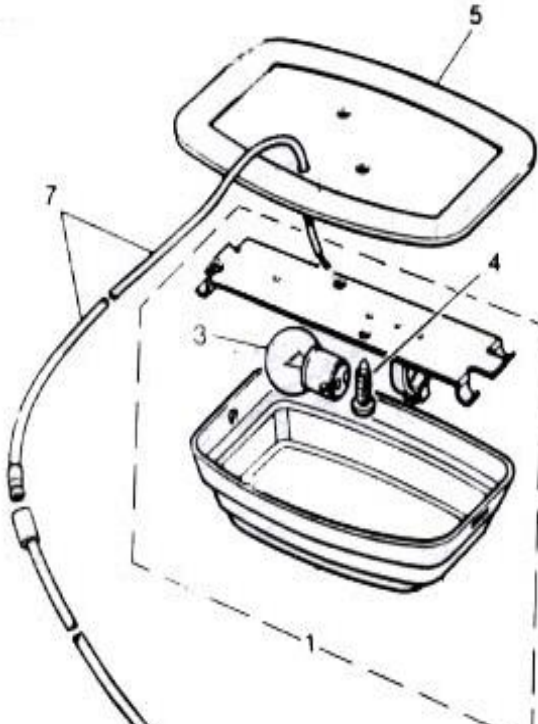


LAND ROVER 110 YEDEK PARÇALARI

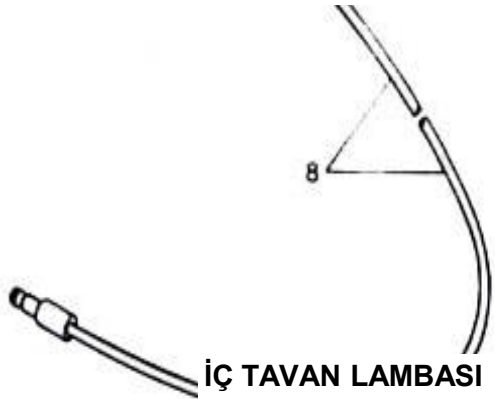
11-9

ELEKTRİK-ELECTRICAL

İÇ TAVAN LAMBASI  
INTERIOR LAMP



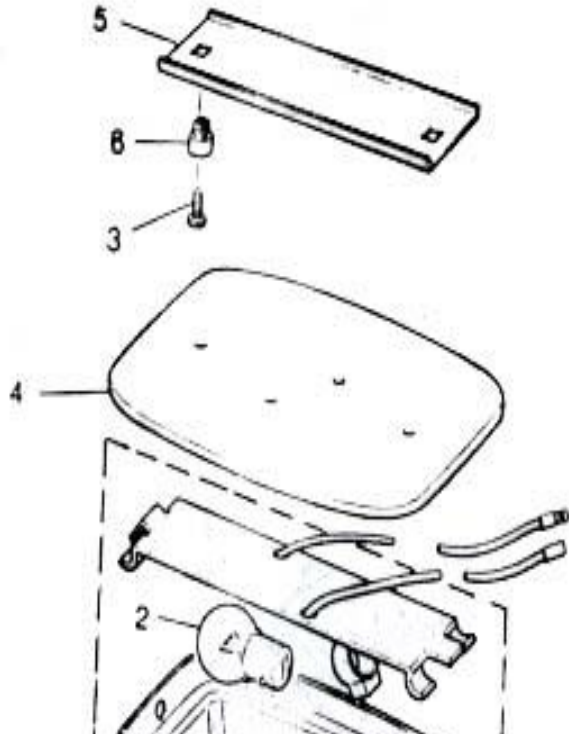
RES. NO	PARÇA NO	NATO STOK NO	MALZEMENİN ADI	MALZEMENİN YABANCI ADI	KOMP. Mik.	DAĞ. BİRİMİ
1	265295-LD	6220-99-430-4135	İç Tavan Lambası	Interior Lamp	1	ADET
	PRC8242-LD	6620-27-006-2868	İç Tavan Lambası	Interior Lamp	1	ADET
	71A00-36416-AA		Kablo-Tavan Lambası	Cable-Int.Lamp	1	ADET
3	31C00-36050-AA	6220-27-006-2925	Ampul 21W	Bulb	1	ADET
4	11000-81346-AA	5306-27-006-2740	Sac Vidası	Drive Screw	2	ADET
5	MWC9601-LD	5330-66-128-5335	Tavan Lamba Contası	Gasket-Roof Lamp	1	ADET
7	PRC2964-LD	6220-99-779-6007	Ara Kablo	Lead-Light to Roof Connection	1	ADET
	PRC7382-L		Ara Kablo	Lead-Light to Roof Connection	1	ADET
8	PRC3813-LD	6220-99-797-8637	Kablo	Lead-Switch to Roof Connect.	1	ADET
	PRC8471-L		Kablo	Lead-Switch to Roof Connect.	1	ADET
	PRC5679-LD	6150-99-872-8936	Kablo Komple	Cable Assy-Int Light Switch	1	ADET
	PRC8470-L	2805-99-375-3381	Kablo Komple	Cable Assy-Int Light Switch	1	ADET
	AMR2449-L	6150-27-006-7828	İç Tavan Kablosu	Cable-Int.Light Switch	1	ADET



İÇ TAVAN LAMBASI

NOT:Şasi No HA455595'e kadar.  
 NOT1:1991 model yılına kadar.  
 NOT2:1991 model yılından itibaren.  
 NOT3:1991 model yılından Haziran 1993'e kadar.  
 NOT4:Haziran 1993'ten itibaren.

11-10		ELEKTRİK-ELECTRICAL				
RES. NO	PARÇA NO	NATO STOK NO	MALZEMENİN ADI	MALZEMENİN YABANCI ADI	KOMP. MİK.	DAĞ. BİRİMİ
1	STC251	6220-99-147-1474	İç Tavan Lambası	Interior Lamm	1	ADET
2	31C00-36050-AA	6220-27-006-2925	Ampul 21W	Bulb 21W	1	ADET
3	11000-81346-AA	5306-27-006-2740	Sac Vidası	Drive Screw	2	ADET
4	MWC9601-LD	5330-66-128-5335	Tavan Lamba Contası	Gasket-Roof Lamp	1	ADET
5	MWC2342		Arkalık Parçası	Plate Backing	1	ADET
6	MXC2341-L		Kare Dübel	Nut Lokut	2	ADET

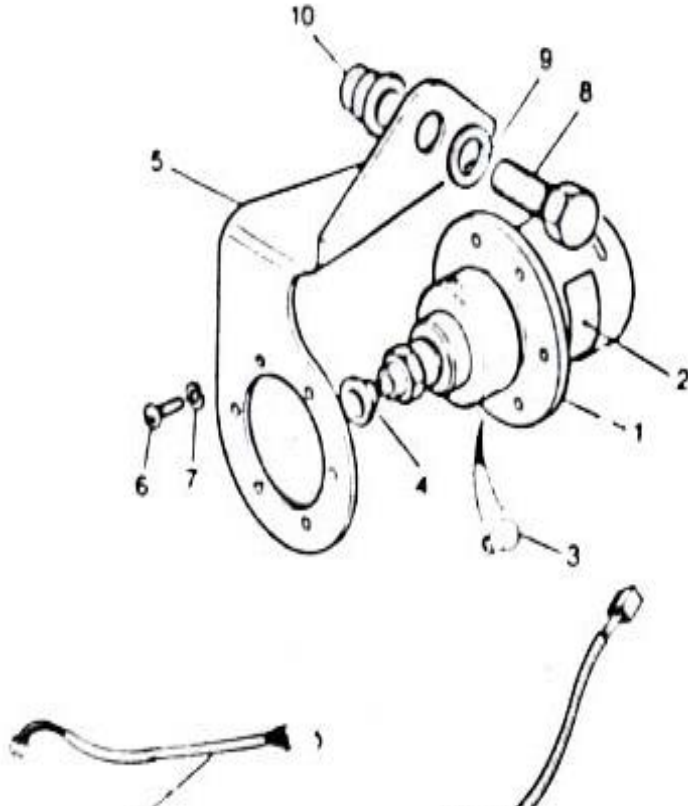




KONVOY LAMBASI

NOT:Şasi No HA455596'dan itibaren.

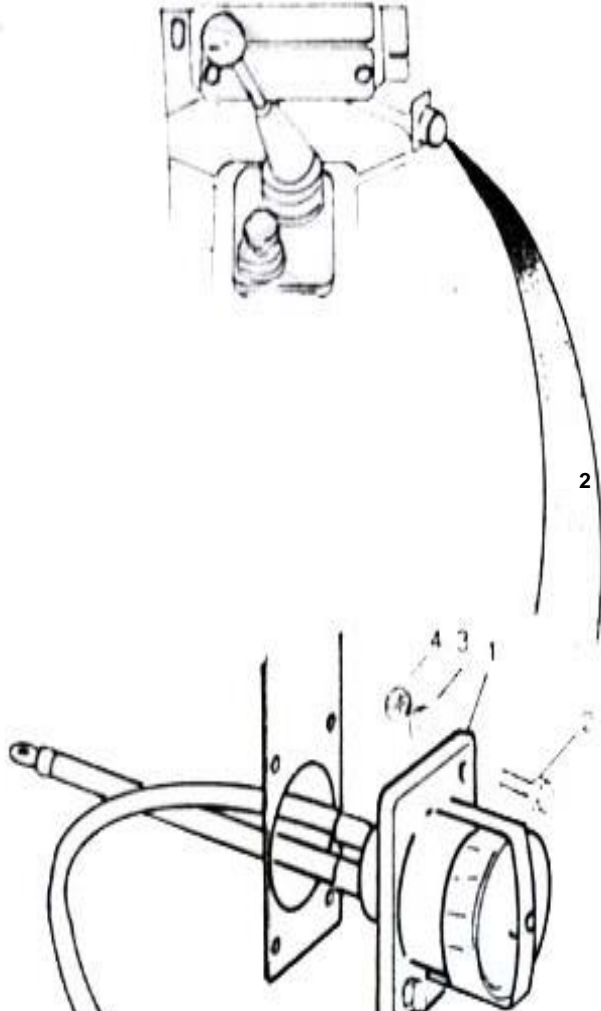
11-11		ELEKTRİK-ELECTRICAL				
RES. NO	PARÇA NO	NATO STOK NO	MALZEMENİN ADI	MALZEMENİN YABANCI ADI	KOMP. MİK.	DAG. BİRİMİ
1	268616	6220-99-803-2620	Konvoy Lambası-Askeri Araçlarda	Convoy Lamp-Military Vehicles	1	ADET
	RTC4771	6220-99-803-2620	Konvoy Lambası-Askeri Araçlarda	Convoy Lamp-Military Vehicles	1	ADET
2	AAU7897	6220-99-803-3384	Konvoy Lamba Camı	Lens Convoy Lamp	1	ADET
3	11000-81501-AA	6240-27-006-2923	Konvoy Lamba Ampülü	Bulb Convoy Lamp	1	ADET
4	71A10-36270-AA		Conta	Sealing Washer	1	ADET
5	RRC3101-LD		Bağlantı Brkt.Konvoy Lambası	Mounting Brkt.Convoy lamp	1	ADET
6	71A00-80002-AA	5305-99-138-4827	Vida	Screw	3	ADET
	77701	5305-99-941-9195	Vida	Screw	3	ADET
7	14C01-80311-AA	5310-99-977-1102	Rondela	Spring Washer (WL104001)	3	ADET
8	11015-80110-AA	5306-27-006-2718	Civata	Bolt (BH110181)	1	ADET
9	11000-80303-AA	5310-27-006-2929	Rondela	Spring Washer	1	ADET
10	12B07-80207-AA	5310-27-006-2770	Somun	Nut (NH110041)	1	ADET
11	PRC5547-LD		Kablo	Cable	1	ADET
12	71A10-36372-AA		Kablo-Şasi	Cable-Chassis	1	ADET



NOT1:Haziran 1991'e kadar.  
 NOT2:Haziran 1991'den itibaren.  
 NOT3:Ağustos 1993'e kadar.  
 NOT4:Ağustos 1993'ten itibaren.

NOT4:Agustos 1993'ten itibaren.

HARİCİ START SOKETİ



11-12

ELEKTRİK-ELECTRICAL

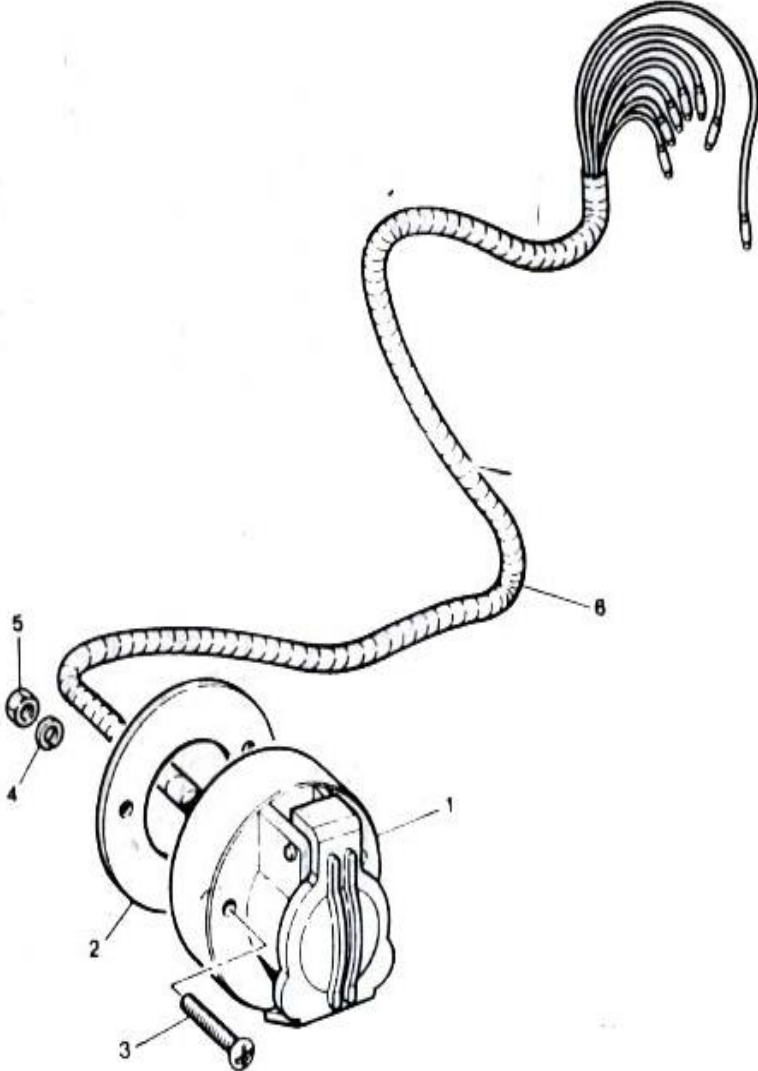
RES. NO	PARÇA NO	NATO STOK NO	MALZEMENİN ADI	MALZEMENİN YABANCI ADI	KOMP. Mik.	DAG. BİRİMİ
1	PRC4827		Harici Start Soketi	External Starter Socket	1	ADET
2	71A10-80058-AA	5305-99-122-5244	Civata	Bolt (BH106051)	4	ADET
3	11000-80351-AA	5310-27-006-2934	Pul	Plain Washer	4	ADET
4	71A00-80201-AA	5310-27-006-2772	Somun	Nut (NH106041)	4	ADET

NOT:Sadece askeri araçlarda.

11-12

ELEKTRİK-ELECTRICAL

RÖMORK SOKETİ-7 PİMLİ  
TRAILER SOCKET-7 PIN



LAND ROVER 110 YEDEK PARÇALARI

1110

ELEKTRİK-ELECTRICAL

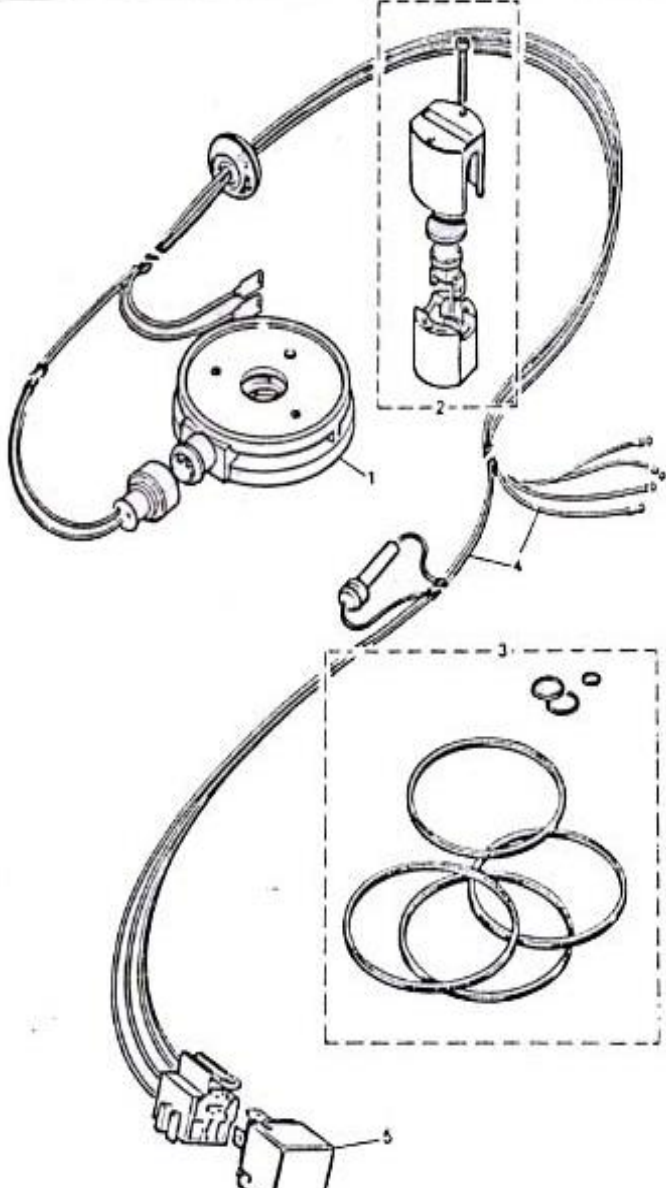
RES. NO	PARÇA NO	NATO STOK NO	MALZEMENİN ADI	MALZEMENİN YABANCI ADI	KOMP. MİK.	DAG. BİRİMİ
1	579409	5935-99-824-2017	Römork Soketi-7 Pimli	Trailer Socket-7 Pin	1	ADET
2	71A10-36233-AA		Conta	Seal	1	ADET
3	71A10-80111-AA	5305-27-006-2734	Civata	Screw (SE105351)	3	ADET
4	11000-80300-AA	5310-27-006-2926	Rondela	Spring Washer	3	ADET
5	71A00-80200-AA	5310-27-006-2771	Somun	Nut (NH105041)	3	ADET
6	PRC5356-LD	5995-27-006-2863	Kablo-Römork Soketi	Cable-Romork Socket	1	ADET
7	71A10-36790-AB	7690-27-006-2810	Etiket-12 V	Label-12 V	1	ADET
8	RU608313	5320-99-631-0777	Perçin	Rivet	2	ADET

NOT:Sadece askeri araçlarda.

11-14

ELEKTRİK-ELECTRICAL

## YAKIT FİLTRE ISITICISI



AKÜ ANA ŞALTERİ

RES. NO	PARÇA NO	NATO STOK NO	MALZEMENİN ADI	MALZEMENİN YABANCI ADI	KOMP. MİK.	DAG. BİRİMİ
1	RTC5894		Yakıt Isıtıcı	Fuel Heater	1	ADET
2	RTC5895		Termostat	Thermostat	1	ADET
3	RTC5896		Keçe Kiti	Seal Kit	1	ADET
4	RRC5288		Kablo Komple	Cable Assembly	1	ADET
5	AHU1061		Röle	Relay	1	ADET

NOT:Sadece dizel motorlu askeri araçlarda.

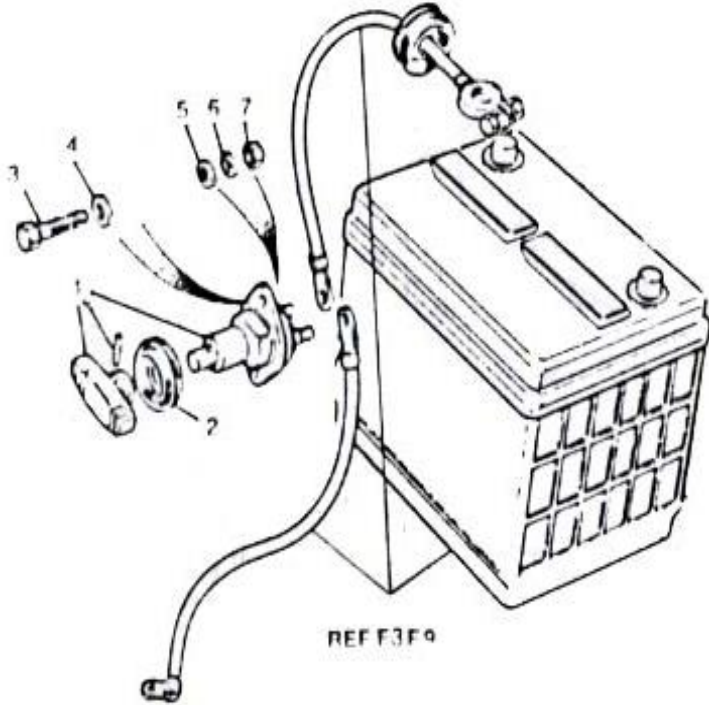
11-15

ELEKTRİK-ELECTRICAL

RES. NO	PARÇA NO	NATO STOK NO	MALZEMENİN ADI	MALZEMENİN YABANCI ADI	KOMP. MİK.	DAG. BİRİMİ
---------	----------	--------------	----------------	------------------------	------------	-------------

## BATTERY MAIN SWITCH

1	PRC4879		Akü Ana Şalteri	Battery Main Switch	1	ADET
2	71A00-36402-AA	5325-27-006-8299	Gromet	Grommet	1	ADET
3	71A10-80030-AA	5306-27-006-2694	Civata	Bolt (BH106101)	2	ADET
4	71A00-80333-AA	5310-99-740-0784	Pul	Plain Washer (AFU1080)	2	ADET
5	11000-80351-AA	5310-27-006-2934	Pul	Plain Washer	2	ADET
6	11000-80301-AA	5310-27-006-2927	Rondela	Spring Washer	2	ADET
7	71A00-80201-AA	5310-27-006-2772	Somun	Nut (NH106041)	2	ADET



NOT:Sadece askeri araçlarda.

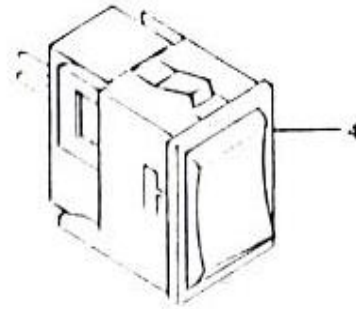
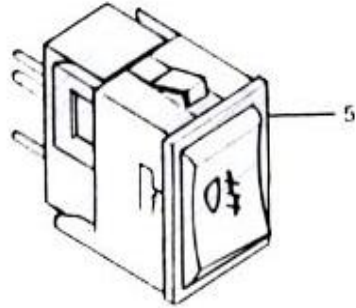
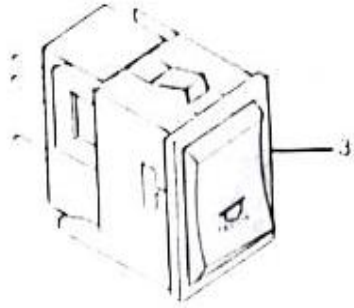
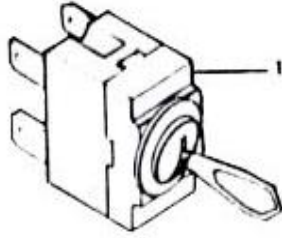
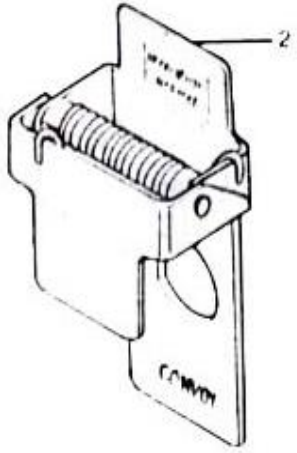
### LAND ROVER 110 YEDEK PARÇALARI

11-16

### ELEKTRİK-ELECTRICAL

#### ANAHTARLAR (ASKERİ)

RES. NO	PARÇA NO	NATO STOK NO	MALZEMENİN ADI	MALZEMENİN YABANCI ADI	KOMP. Mik.	DAG. Birimi
1	PRC5610		Konvoy Lambası Anahtarı	Toggle Switch-Convoy	1	ADET
2	PRC1742	2590-99-817-9392	Kapak	Inhibitor	1	ADET
3	71A01-36353-AA		İşıldak Anahtarı	Switch-Rotating Beacons	1	ADET



### LAND ROVER 110 YEDEK PARÇALARI

### ROLELER RELAYS

4	71B21-36351-AA	5930-27-006-2892	Siren Anahtarı	Switch-Siren	1	ADET
5	71A10-36243-AA	5930-27-006-2813	Sis Lamba Anahtarı	Switch-Frt. Fog.Lamp	1	ADET
	71A50-36243-AA	5930-27-006-2813	Sis Lamba Anahtarı	Switch-Frt. Fog.Lamp	1	ADET

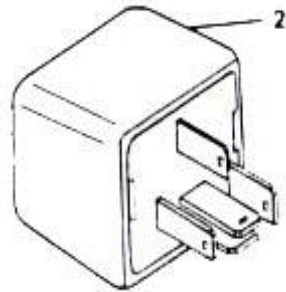
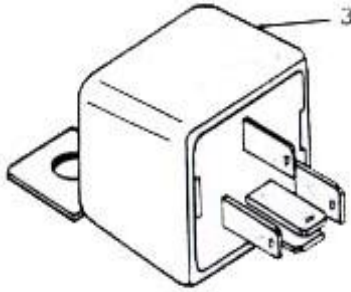
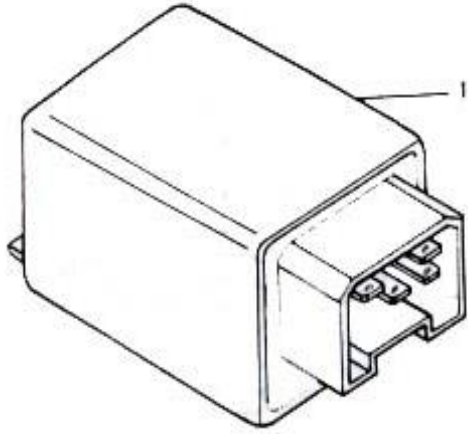
NOT1:Şasi No 8FF391922'ye kadar.  
NOT2:Şasi No 8FF391923'ten sonra

11-17

ELEKTRİK-ELECTRICAL

RES. NO	PARÇA NO	NATO STOK NO	MALZEMENİN ADI	MALZEMENİN YABANCI ADI	KOMP. Mik.	DAG. Birimi
1	PRC2239	5945-99-833-6818	Flaşör	Flasher Unit	1	ADET
	71A00-36319-AA		Flaşör	Flasher Unit	1	ADET
2	71A00-36032-AA	5945-99-739-6093	Röle (28RA)	Relay(28RA) (DRC1820)	4	ADET
3	71A10-36032-AA		Röle Braketi	Relay With Bracket	1	ADET





NOT1:Şasi No 8AF574090'a kadar.  
NOT2:Şasi No 8AF574091'den sonra  
NOT3:Askeri araçlarda 8 adet, pikaplarda 7 adet kullanılmaktadır.  
NOT4:Sadece askeri araçlarda.

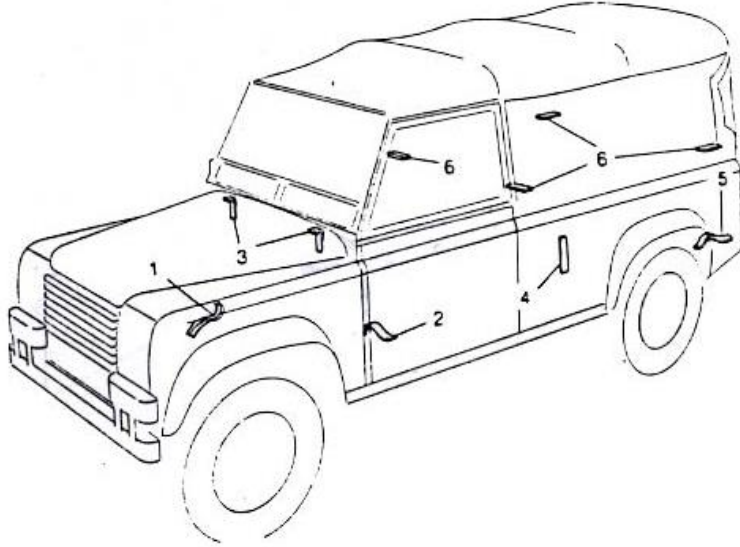
## LAND ROVER 110 YEDEK PARÇALARI

11-18

## ELEKTRİK-ELECTRICAL

### PARAZİT TOPRAKLAMA BONDING LEAD

RES. NO	PARÇA NO	NATO STOK NO	MALZEMENİN ADI	MALZEMENİN YABANCI ADI	KOMP. MİK.	DAG. BİRİMİ
1	552632	2540-99-825-5820	Şasileme Kablosu	Bonding Lead	1	ADET
	11000-80008-AA	5306-27-006-2700	Civata	Screw (SH106201)	1	ADET
	11000-80351-AA	5310-27-006-2934	Pul	Plain Washer	2	ADET
	11000-80301-AA	5310-27-006-2927	Rondela	Spring Washer	1	ADET
	71A00-80201-AA	5310-27-006-2772	Somun	Nut (NH106041)	1	ADET
2	552632	2540-99-825-5820	Şasileme Kablosu	Bonding Lead	1	ADET
	11000-80014-AA	5306-27-006-2702	Civata	Screw (SH108161)	1	ADET
	11000-80302-AA	5310-27-006-2928	Rondela	Spring Washer	1	ADET



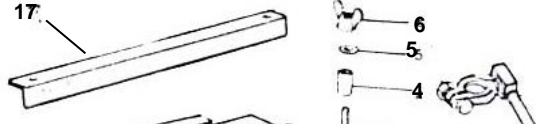
3	552632	2540-99-825-5820	Şasileme Kablosu	Bonding Lead	2	ADET
	72628	5305-99-845-0236	Civata	Screw	2	ADET
	71A00-80318-AA	5310-27-006-2946	Pul	Plain Washer (WC106041)	2	ADET
4	552632	2540-99-825-5820	Şasileme Kablosu	Bonding Lead	2	ADET
	11000-80007-AA	5306-27-006-2699	Civata	Screw (SH106161)	2	ADET
	11000-80351-AA	5310-27-006-2934	Pul	Plain Washer	4	ADET
	11000-80301-AA	5310-27-006-2927	Rondela	Spring Washer	2	ADET
	71A00-80201-AA	5310-27-006-2772	Somun	Nut (NH106041)	2	ADET
	11000-80014-AA	5306-27-006-2702	Civata	Screw (SH108161)	2	ADET
	71A00-80324-AA	5310-99-122-6475	Pul	Plain Washer	4	ADET
	11000-80302-AA	5310-27-006-2928	Rondela	Spring Washer	2	ADET
	71A00-80203-AA	5310-27-006-2774	Somun	Nut (NH108041)	2	ADET
5	PRC5280	2590-99-737-3393	Şasileme Kablosu	Bonding Lead	1	ADET
	71A00-80203-AA	5310-27-006-2774	Somun	Nut (NH108041)	1	ADET
	SH105251L	5305-99-738-0059	Civata	Screw	1	ADET
	71A00-80315-AA	5310-99-122-3032	Pul	Plain Washer	2	ADET
	11000-80300-AA	5310-27-006-2926	Rondela	Spring Washer	1	ADET
	71A00-80200-AA	5310-27-006-2771	Somun	Nut (NH105041)	1	ADET
6	552633	2590-99-820-7565	Şasileme Kablosu	Bonding Lead	4	ADET
	11000-81338-AA	5306-27-006-2739	Vida	Screw (AB606031)	8	ADET

## LAND ROVER 110 YEDEK PARÇALARI

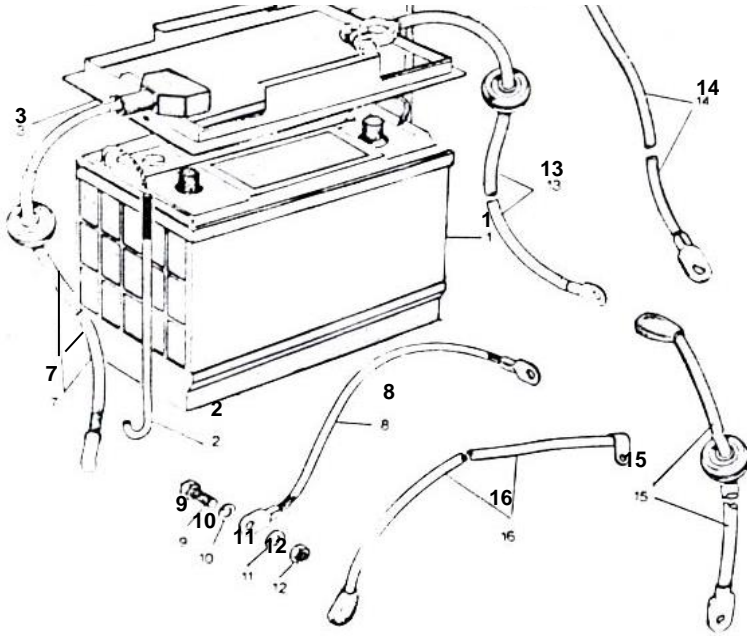
11-19

## ELEKTRİK-ELECTRICAL

### AKÜ VE KABLOLAR BATTERY AND CABLES



RES. NO	PARÇA NO	NATO STOK NO	MALZEMENİN ADI	MALZEMENİN YABANCI ADI	KOMP. MİK.	DAG. BİRİMİ
1	PRC4729-LM		Akü (12V 88Ah 300A)	Battery (12V 88Ah 300A)	1	ADET
	71A00-36601-AA		Akü (12V 88Ah 450A)	Battery (12V 88Ah 450A)	1	ADET
	71A00-36004-AA	6140-27-006-2854	Akü (12V 88Ah 450A)	Battery (12V 88Ah 450A)	1	ADET
2	MRC7132-LM	5306-99-797-3853	'J' Civata	'J' Bolt	2	ADET
	71A00-36392-AA	5306-27-006-8276	'J' Civata	'J' Bolt	2	ADET
	73B00-58130-AA		'J' Civata-Kisa	'J' Bolt-Short	1	ADET
	71A00-60494-AA		Karşılık Tutucusu	Retainer	1	ADET
	71A00-60494-AA		Karşılık Tutucusu	Retainer	1	ADET
3	71A00-68468-AA		Akü Çerçevesi	Battery Cover	1	ADET
4	71A00-60492-AA		Ara Parçası	Spacer	2	ADET



5	71A00-80318-AA	5310-27-006-2946	Pul	Plain Washer	2	ADET
---	----------------	------------------	-----	--------------	---	------

NOT1:Kasım 1991'den önce  
 NOT2:Kasım 1991-Aralık 1992 tarihleri arası.  
 NOT3:Aralık 1992'den itibaren.  
 NOT4:Mart 1993'e kadar.  
 NOT5:Mart 1993'ten itibaren  
 NOT6:Şasi No 8FF454914'ten itibaren.  
 NOT7:Şasi No 8FF454913'e kadar.  
 NOT8:Nisan 1991'den önce.  
 NOT9:Nisan 1991'den sonra  
 NOT10:Şasi No 273882'den önce.  
 NOT11:Şasi No 273883'ten itibaren  
 NOT12:Mart 1991'den önce  
 NOT13:Mart 1991'den itibaren.

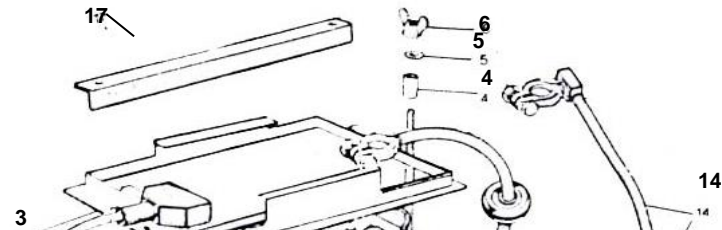
## LAND ROVER 110 YEDEK PARÇALARI

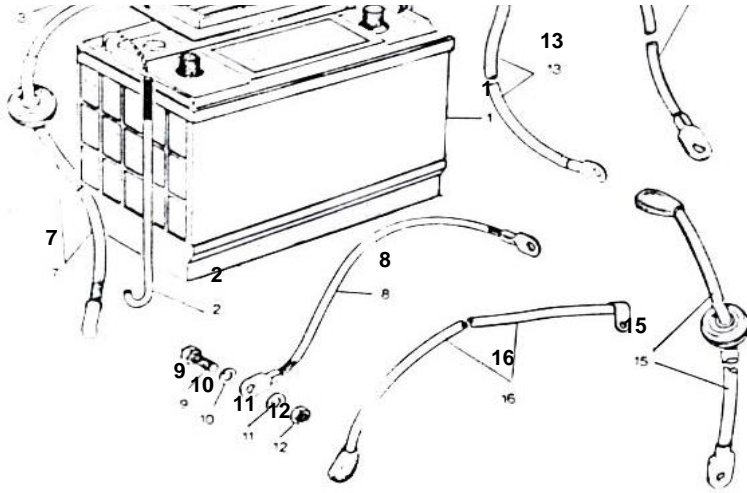
11-20

## ELEKTRİK-ELECTRICAL

### AKÜ VE KABLOLAR BATTERY AND CABLES

RES. NO	PARÇA NO	NATO STOK NO	MALZEMENİN ADI	MALZEMENİN YABANCI ADI	KOMP. Mik.	DAĞ. BİRİMİ
	11000-80351-AA	5310-27-006-2934	Pul	Plain Washer	3	ADET
6	21C02-80228-AA	5325-27-006-8294	Kelebek Somun	Wing Nut	2	ADET
	21C02-80228-AA	5325-27-006-8294	Kelebek Somun	Wing Nut	3	ADET
7	71A00-36024-AA		Akü Kablosu Komple (+)	Battery Cable Assy (+)	1	ADET
	PRC4616-LD	6140-99-729-2993	Akü Kablosu Komple (+)/Dizel	Battery Cable Assy (+)/Diesel	1	ADET
	PRC1860-LD		Akü Kablosu Komple (+)/Benzin	Battery Cable Assy (+)/Petrol	1	ADET
8	PRC3625	2590-99-797-3861	Kablo(-)/Sivil Araclarda	Cable(-)/Civilian Vehicle	1	ADET
	PRC5499-LD		Kablo(-)/Sivil Araclarda	Cable(-)/Civilian Vehicle	1	ADET
9	11000-80016-AA	5306-27-006-2703	Civata	Screw (SH108201)	2	ADET
10	11000-80302-AA	5310-27-006-2928	Rondela	Spring Washer	2	ADET
11	71A00-80324-AA	5310-99-122-6475	Pul	Plain Washer	2	ADET





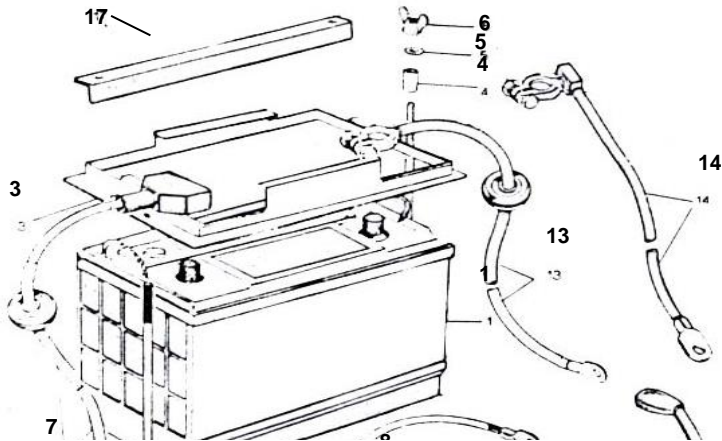
- NOT1:Kasım 1991'den önce  
 NOT2:Kasım 1991-Aralık 1992 tarihleri arası.  
 NOT3:Aralık 1992'den itibaren.  
 NOT4:Mart 1993'e kadar.  
 NOT5:Mart 1993'ten itibaren  
 NOT6:Şasi No 8FF454914'ten itibaren.  
 NOT7:Şasi No 8FF454913'e kadar.  
 NOT8:Nisan 1991'den önce.  
 NOT9:Nisan 1991'den sonra  
 NOT10:Şasi No 273882'den önce.  
 NOT11:Şasi No 273883'ten itibaren  
 NOT12:Mart 1991'den önce  
 NOT13:Mart 1991'den itibaren.

## LAND ROVER 110 YEDEK PARÇALARI

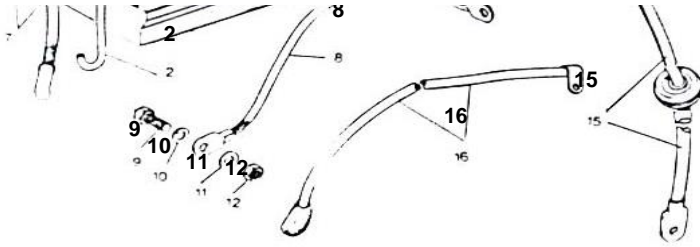
11-21

## ELEKTRİK-ELECTRICAL

### AKÜ VE KABLOLAR BATTERY AND CABLES



RES. NO	PARÇA NO	NATO STOK NO	MALZEMENİN ADI	MALZEMENİN YABANCI ADI	KOMP. MİK.	DAG. BİRİMİ
12	71A00-80203-AA	5310-27-006-2774	Somun	Nut (NH108041)	2	ADET
13	PRC5524-LD	6140-99-463-0377	Kablo Komple	Cable Assy	2	ADET
	PRC7175-LD		Aku Negatif Kablosu (-)	Battery Cable Assy (-)	1	ADET
14	PRC6249-LM		Kablo-Ana Şalter-Akü/Asker	Cable-Main Sw-Battery/Military Vehicle	1	ADET
	PRC8205-LD	5995-27-006-2866	Kablo-Ana Salter-Aku/Askeri(Dizel)	Cable-Main Sw-Battery/Military(Diesel)	1	ADET
	PRC8166-LD		Kablo-Ana Salter-Aku/Askeri(Benzin)	Cable-Main Sw-Battery/Military(Petrol)	1	ADET
15	71A10-36051-AA		Ana Salter Sasi Kablosu/Askeri(Dizel)	Main Sw Earth Lead/Military Vehicle	1	ADET
	PRC8206-LD	5995-27-006-2867	Ana Salter Sasi Kablosu/Askeri(Dizel)	Main Sw Earth Lead/Military(Diesel)	1	ADET
	PRC8167-LD		Ana Salter Sasi Kab./Askeri(Benzinli)	Main Sw Earth Lead/Military (Petrol)	1	ADET
16	PRC6075-LD		Ana Şalter-Şasi Kablosu/Askeri	Main Sw Earth Lead/Military	1	ADET
	71A10-36210-AA		Etiket-Aku Ana Salteri/Askeri	Lable-Battery Master Sw/Military	1	ADET
17	71A00-36390-AA	2510-27-006-2791	L Sac	L Plate	1	ADET



- NOT1: Kasım 1991'den önce  
 NOT2: Kasım 1991-Aralık 1992 tarihleri arası.  
 NOT3: Aralık 1992'den itibaren.  
 NOT4: Mart 1993'e kadar.  
 NOT5: Mart 1993'ten itibaren  
 NOT6: Şasi No 8FF454914'ten itibaren.  
 NOT7: Şasi No 8FF454913'e kadar.  
 NOT8: Nisan 1991'den önce.  
 NOT9: Nisan 1991'den sonra  
 NOT10: Şasi No 273882'den önce.  
 NOT11: Şasi No 273883'ten itibaren  
 NOT12: Mart 1991'den önce  
 NOT13: Mart 1991'den itibaren.

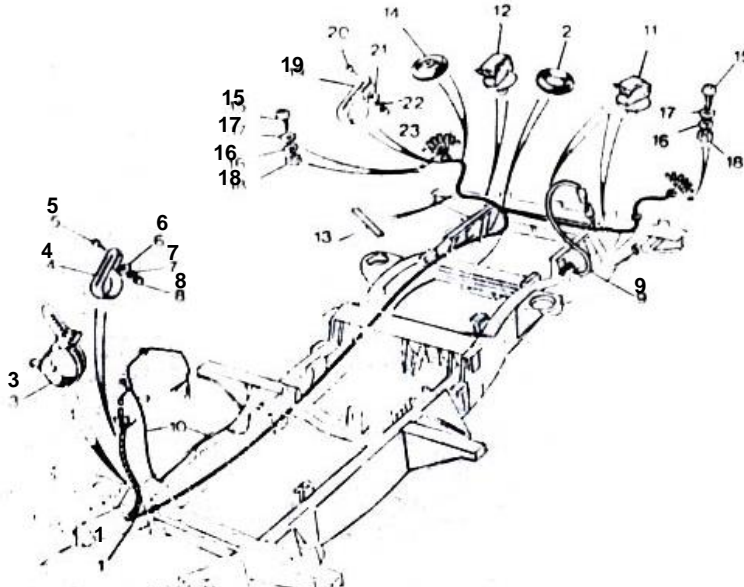
### LAND ROVER 110 YEDEK PARÇALARI

11-22

### ELEKTRİK-ELECTRICAL

#### ELEKTRİK- ŞAŞİ ENSTELASYONU-SİVİL ELECTRICAL-CHASIS HARNESS-CIVILIAN

RES. NO	PARÇA NO	NATO STOK NO	MALZEMENİN ADI	MALZEMENİN YABANCI ADI	KOMP. Mik.	DAĞ. BİRİMİ
1	PRC5184		Şasi Enstelasyonu	Chassis Harness	1	ADET
	PRC5184-LM		Şasi Enstelasyonu	Chassis Harness	1	ADET
	PRC8869-L		Şasi Enstelasyonu	Chassis Harness	1	ADET
2	71A00-36405-AA	5325-27-006-2875	Gromet	Grommet (589452)	1	ADET
3	AAU3686	5975-99-787-7254	Şerit Kelepçe	Cable Strap	4	ADET
4	12A00-80586-AA	5340-99-840-3122	Kelepçe	Cable Clip (C39377)	1	ADET
	71A10-80586-AA		Kelepçe/Lastikli	Clip	1	ADET
5	71A00-81324-AA	5305-27-006-2728	Civata	Screw (SE105121)	1	ADET
6	MRC5527-LD	5310-99-977-1694	Pul	Plain Washer	1	ADET
7	11000-80300-AA	5310-27-006-2926	Rondela	Spring Washer	1	ADET
8	71A00-80200-AA	5310-27-006-2771	Somun	Nut (NH105041)	1	ADET





NOT1:Şasi No 8AF574086'ya kadar.  
NOT2:Şasi No 8AF574087'den sonra.  
NOT3:Temmuz 1992'den itibaren.  
NOT4:Alternatif parçalar.  
NOT5:Eylül 1992'den itibaren.

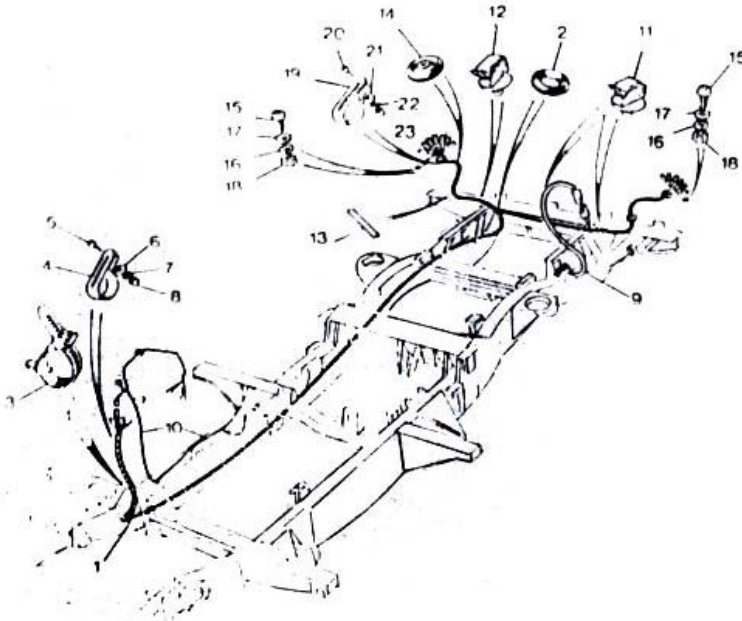
## LAND ROVER 110 YEDEK PARÇALARI

11-23

## ELEKTRİK-ELECTRICAL

### ELEKTRİK- ŞAŞİ ENSTELASYONU-SİVİL

RES. NO	PARÇA NO	NATO STOK NO	MALZEMENİN ADI	MALZEMENİN YABANCI ADI	KOMP. MİK.	DAĞ. BİRİMİ
9	PRC3368-LM	2590-99-797-3872	Şamandra Kablosu	Cable Assy-RR Tank Unit	1	ADET
	PRC9331-L		Şamandra Kablosu	Cable Assy-RR Tank Unit	1	ADET
12	AFU1090L	5340-99-788-7393	Kelepçe	Clip	3	ADET
14	570753	5340-01-379-6710	Sac Ray	Flange Finisher	1	ADET
15	71A00-36403-AA	5325-99-828-1011	Gromet	Grommet (269257)	1	ADET
16	71A00-81324-AA	5305-27-006-2728	Civata	Screw (SE105121)	2	ADET
17	WM702001	5310-99-941-6653	Rondela	Spring Washer	2	ADET
18	71A00-80315-AA	5310-99-122-3032	Pul	Plain Washer	2	ADET
19	71A00-80200-AA	5310-27-006-2771	Somun	Nut (NH105041)	2	ADET



NOT1:Şasi No 8AF574086'ya kadar.  
 NOT2:Şasi No 8AF574087'den sonra.  
 NOT3:Temmuz 1992'den itibaren.  
 NOT4:Alternatif parçalar.  
 NOT5:Eylül 1992'den itibaren.

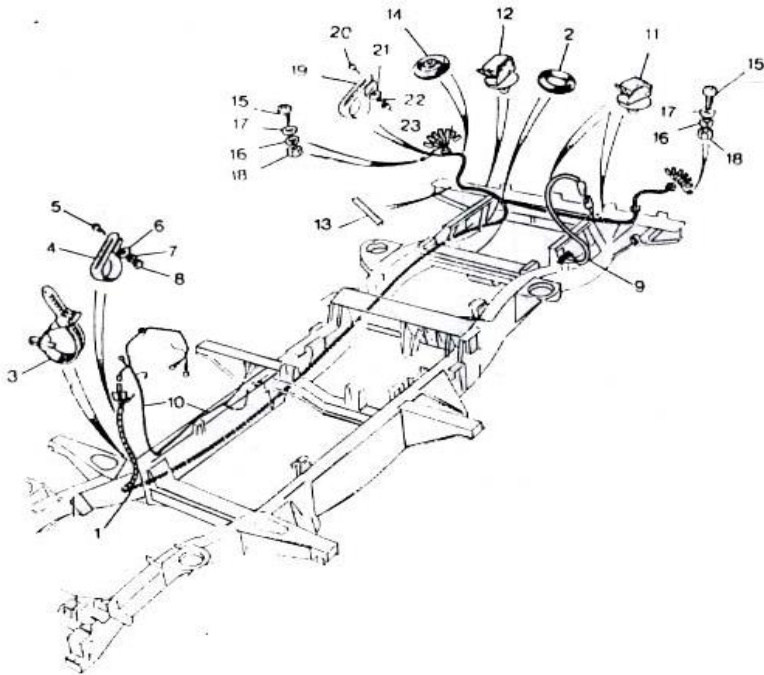
**LAND ROVER 110 YEDEK PARÇALARI**

**11-24**

**ELEKTRİK-ELECTRICAL**

**ELEKTRİK- ŞASI ENSTELASYONU-ASKERİ  
 ELECTRICAL-CHASIS HARNESS-MILITARY**

RES. NO	PARÇA NO	NATO STOK NO	MALZEMENİN ADI	MALZEMENİN YABANCI ADI	KOMP. MİK.	DAĞ. BİRİMİ
1	PRC5269	2590-99-739-7162	Şasi Enstelasyonu	Chassis Harness	1	ADET
	PRC5269-LM	2590-99-739-7162	Şasi Enstelasyonu	Chassis Harness	1	ADET
	PRC5539-L		Kablo Komple-Konvoy	Cable Assy-Convoy	1	ADET
2	71A00-36405-AA	5325-27-006-2875	Gromet	Grommet (589452)	1	ADET
3	AAU3686	5975-99-787-7254	Şerit Kelepçe	Cable Strap	4	ADET
4	12A00-80586-AA	5340-99-840-3122	Kelepçe	Cable Clip (C39377)	1	ADET
	71A10-80586-AA		Kelepçe/Lastikli	Clip	1	ADET
5	71A00-81324-AA	5305-27-006-2728	Civata	Screw (SE105121)	1	ADET
6	MRC5527-LD	5310-99-977-1694	Pul	Plain Washer	1	ADET
7	11000-80300-AA	5310-27-006-2926	Rondela	Spring Washer	1	ADET
8	71A00-80200-AA	5310-27-006-2771	Somun	Nut (NH105041)	1	ADET
9	PRC3368-LM	2590-99-797-3872	Şamandra Kablosu	Cable Assy-RR Tank Unit	1	ADET
	PRC9332-L	6150-27-006-7852	Şamandra Kablosu	Cable Assy-RR Tank Unit	1	ADET
12	AFU1090L	5340-99-788-7393	Kelepçe	Clip	3	ADET
14	570753	5340-01-379-6710	Sac Ray	Flange Finisher	1	ADET
15	71A00-36403-AA	5325-99-828-1011	Gromet	Grommet (269257)	1	ADET
16	71A00-81324-AA	5305-27-006-2728	Civata	Screw (SE105121)	2	ADET
17	WM702001	5310-99-941-6653	Rondela	Spring Washer	2	ADET
18	71A00-80315-AA	5310-99-122-3032	Pul	Plain Washer	2	ADET
19	71A00-80200-AA	5310-27-006-2771	Somun	Nut (NH105041)	2	ADET

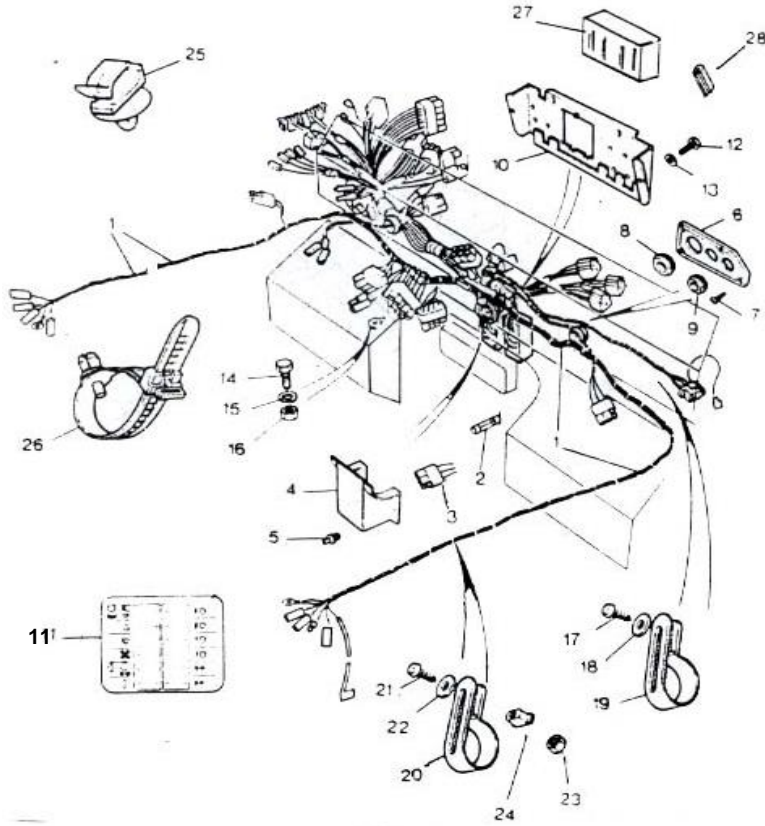


NOT1:Şasi No 8AF574003'e kadar.  
 NOT2:Şasi No 8AF574004'ten itibaren.

NOT3:Alternatif parçalar.  
NOT4:Eylül 1992'den itibaren.

## LAND ROVER 110 YEDEK PARÇALARI

### ELEKTRİK- ANA ENSTELASYON-SİVİL



11-25

### ELEKTRİK-ELECTRICAL

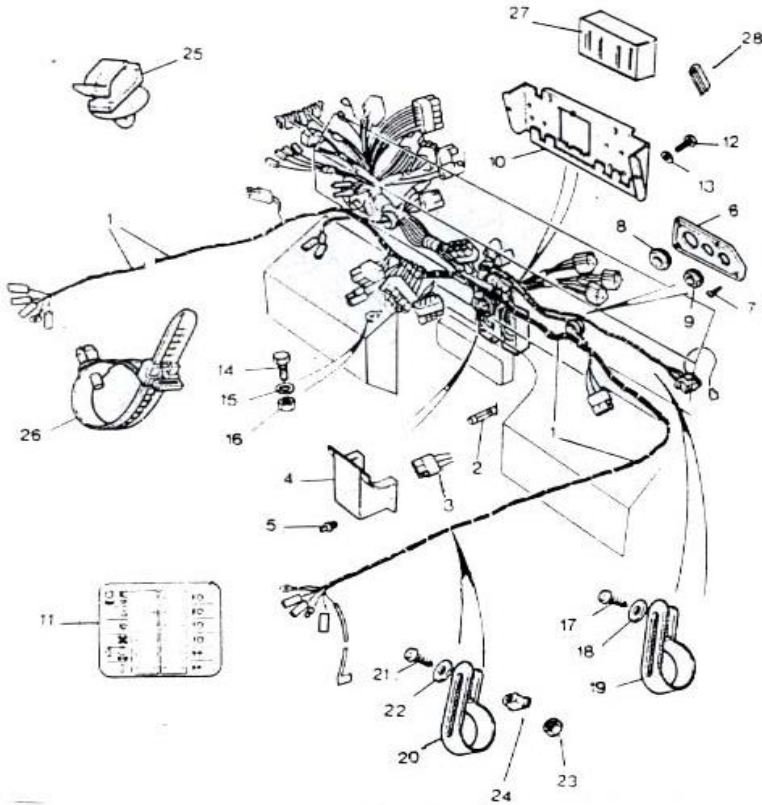
RES. NO	PARÇA NO	NATO STOK NO	MALZEMENİN ADI	MALZEMENİN YABANCI ADI	KOMP. MİK.	DAĞ. BİRİMİ
1	PRC6311	2590-99-151-2166	Ana Enstelasyon	Main Harness	1	ADET
	PRC6311-LM	2590-99-151-2166	Ana Enstelasyon	Main Harness	1	ADET
	PRC6311-LMA	2590-99-151-2166	Ana Enstelasyon	Main Harness	1	ADET
	PRC8868-LD		Ana Enstelasyon	Main Harness	1	ADET
	C46082	5905-99-739-7165	Rezistör	Resistor	1	ADET
	PRC9096		Rezistör	Resistor	1	ADET
	AAU5034	5961-99-749-8695	Diot	Diode	1	ADET
2	541566		Sigorta 2.5 Amp.	Fuse 2.5 Amp.	2	ADET
	GFS415	5920-99-803-4269	Sigorta 8 Amp.	Fuse 8 Amp.	5	ADET
	GFS425	5920-99-804-8582	Sigorta 12 Amp.	Fuse 12 Amp.	2	ADET
	GFS435	5920-99-804-8583	Sigorta 17 Amp.	Fuse 17 Amp.	1	ADET
	ADU1872-L	5920-99-766-9038	Bıçak Sigorta-3A	Fuse 3 A	4	ADET
	ADU1874-L	5920-99-767-2990	Bıçak Sigorta-5A	Fuse 5 A	4	ADET

NOT1:Şasi No 8AF574030'a kadar.  
NOT2:Şasi No 8AF574030'dan Eylül 1990'a kadar  
NOT3:Eylül 1990'dan Temmuz 1992'ye kadar.  
NOT4:Temmuz 1992'den itibaren  
NOT5:Haziran 1991'e kadar.  
NOT6:Haziran 1991'den itibaren.  
NOT7:Kasım 1991'e kadar.  
NOT8:Kasım 1991'den itibaren.  
NOT9:Ekim 1993'e kadar.  
NOT10:Temmuz 1992'ye kadar.  
NOT11:Temmuz 1992'den itibaren.



LAND ROVER 110 YEDEK PARÇALARI

ELEKTRİK- ANA ENSTELASYON-SİVİL  
ELECTRICAL-MAIN HARNESS-CIVILIAN



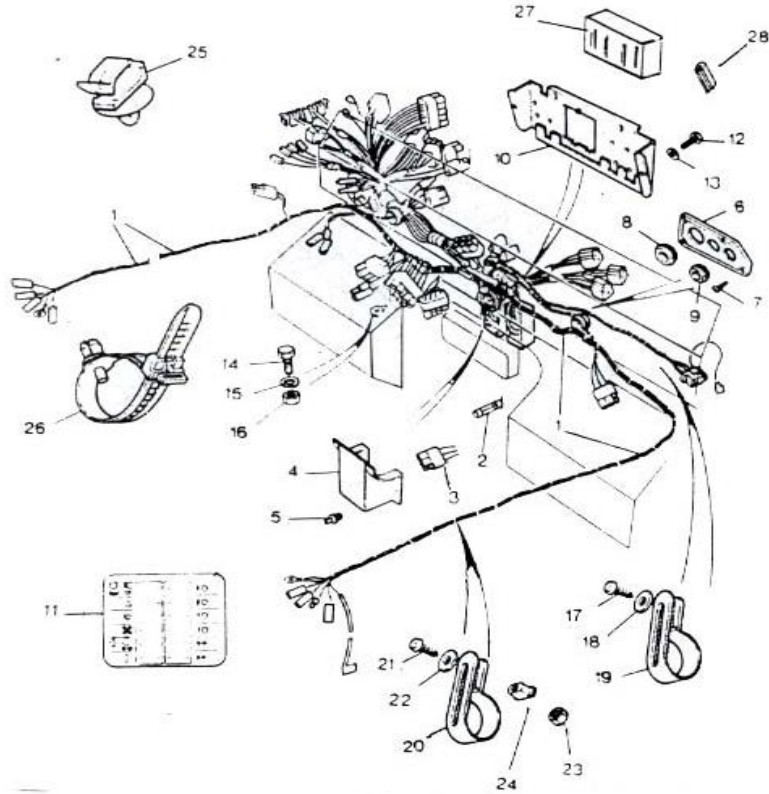
11-26

ELEKTRİK-ELECTRICAL

RES. NO	PARÇA NO	NATO STOK NO	MALZEMENİN ADI	MALZEMENİN YABANCI ADI	KOMP. Mik.	DAĞ. BİRİMİ
	ADU1875-L	5920-99-564-2476	Bıçak Sigorta-7.5 A	Fuse-7.5 A	5	ADET
	ADU1876-L	5920-99-759-5252	Bıçak Sigorta-10 A	Fuse-10 A	1	ADET
	ADU1877-L	5920-99-759-5253	Bıçak Sigorta-15 A	Fuse-15 A	3	ADET
	ADU1878-L	5920-99-759-5254	Bıçak Sigorta-20 A	Fuse-20 A	3	ADET
3	PRC3037	5340-99-957-5231	Ana Enst.Giriş Kapağı	Cover-Harness-Dash Center	1	ADET
4	BRC8089	5320-99-648-0477	Perçin-Kapağı Göğüse	Rivet-Cover to Dash	4	ADET
5	PRC1333-LD	2540-99-829-7536	Göğüs Giriş Lastiği	Bulkhead Grommet Plate	1	ADET
6	71A00-81356-AA		Sac Vidası	Drive Screw	8	ADET
7	338024-L		Tapa	Plug	1	

- NOT1:Şasi No 8AF574030'a kadar.  
 NOT2:Şasi No 8AF574030'dan Eylül 1990'a kadar  
 NOT3:Eylül 1990'dan Temmuz 1992'ye kadar.  
 NOT4:Temmuz 1992'den itibaren  
 NOT5:Haziran 1991'e kadar.  
 NOT6:Haziran 1991'den itibaren.  
 NOT7:Kasım 1991'e kadar.  
 NOT8:Kasım 1991'den itibaren.  
 NOT9:Ekim 1993'e kadar.  
 NOT10:Temmuz 1992'ye kadar.  
 NOT11:Temmuz 1992'den itibaren.

## LAND ROVER 110 YEDEK PARÇALARI

ELEKTRİK- ANA ENSTELASYON  
ELECTRICAL-MAIN HARNESS

11-27

ELEKTRİK-ELECTRICAL

RES. NO	PARÇA NO	NATO STOK NO	MALZEMENİN ADI	MALZEMENİN YABANCI ADI	KOMP. MİK.	DAĞ. BİRİMİ
8	338023-L	5325-99-815-9851	Tapa	Plug	2	ADET
9	PRC2443-L	2590-99-797-3865	Sigt.Kutusu ve Röle Bağl.Saci	Fuse Box & Relay Mtg.Panel	1	ADET
	PRC8072-LD	2590-99-152-4191	Sigorta Paneli	Fuse Box	1	ADET
10	PRC5670-LD		Sigorta Etiket-Sivil	Label Fuse Identification	1	ADET
	PRC8245-LD		Sigorta Etiket-Sivil	Label Fuse Identification	1	ADET

NOT1:Şasi No 8AF574030'a kadar.  
 NOT2:Şasi No 8AF574030'dan Eylül 1990'a kadar  
 NOT3:Eylül 1990'dan Temmuz 1992'ye kadar.  
 NOT4:Temmuz 1992'den itibaren  
 NOT5:Haziran 1991'e kadar.  
 NOT6:Haziran 1991'den itibaren.  
 NOT7:Kasım 1991'e kadar.  
 NOT8:Kasım 1991'den itibaren.  
 NOT9:Ekim 1993'e kadar.  
 NOT10:Temmuz 1992'ye kadar.  
 NOT11:Temmuz 1992'den itibaren.

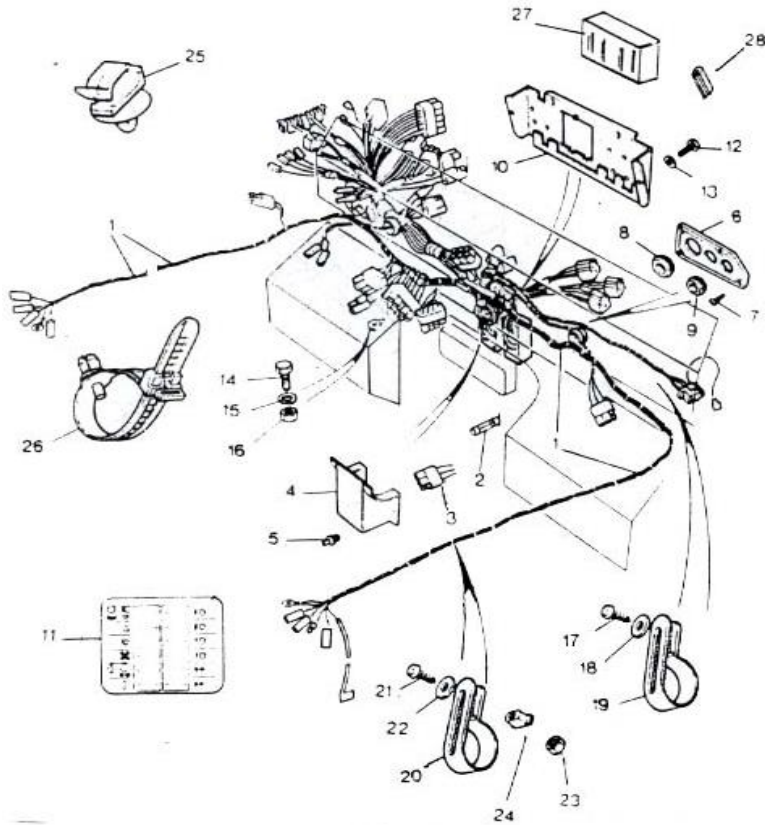
## LAND ROVER 110 YEDEK PARÇALARI

11-28

ELEKTRİK-ELECTRICAL

ELEKTRİK- ANA ENSTELASYON-ASKERİ  
ELECTRICAL-MAIN HARNESS-MILITARY

RES. NO	PARÇA NO	NATO STOK NO	MALZEMENİN ADI	MALZEMENİN YABANCI ADI	KOMP. MİK.	DAĞ. BİRİMİ
11	71A00-81327-AA	5305-99-306-3747	Civata	Screw(SE106121)	2	ADET
12	WF600041L	5310-66-016-5982	Rondela	Spring Washer	2	ADET



13	11000-80006-AA	5305-99-122-5359	Civata	Screw (SH106121)	1	ADET
14	11000-80301-AA	5310-27-006-2927	Rondela	Spring Washer	1	ADET
15	72B00-80217-AA	5310-99-122-5295	Somun	Nut (NH106041)	2	ADET
16	11000-80006-AA	5305-99-122-5359	Civata	Screw (SH106121)	1	ADET
	11000-80008-AA	5306-27-006-2700	Civata	Screw (FS106201)	2	ADET
17	MRC5527-LD	5310-99-977-1694	Pul	Plain Washer	2	ADET
18	12A00-80586-AA	5340-99-840-3122	Kelepçe/Metal	Cable Clip/Metal	1	ADET
	C39377/1	5340-66-128-4932	Kelepçe/Plastik	Cable Clip	1	ADET
19	AFU1090L	5340-99-788-7393	Kelepçe	Clip	1	ADET
20	AAU3686	5975-99-787-7254	Şerit Kelepçe	Cable Strap	1	ADET
21	14C01-82575-AA		Şerit Kelepçe/Metal	Cable Clip/Metal	1	ADET
	C39377/1	5340-66-128-4932	Şerit Kelepçe/Plastik	Cable Clip	1	ADET
22	390939-L	3120-99-702-1796	Burç	Bush	2	ADET
23	PRVC4412-L		Sigorta Maşası	Extractor Fuse	1	ADET

NOT1:Gerektiği kadar.  
 NOT2:Şasi No HA455596'dan itibaren.  
 NOT3:Şasi No FA423989'dan itibaren.

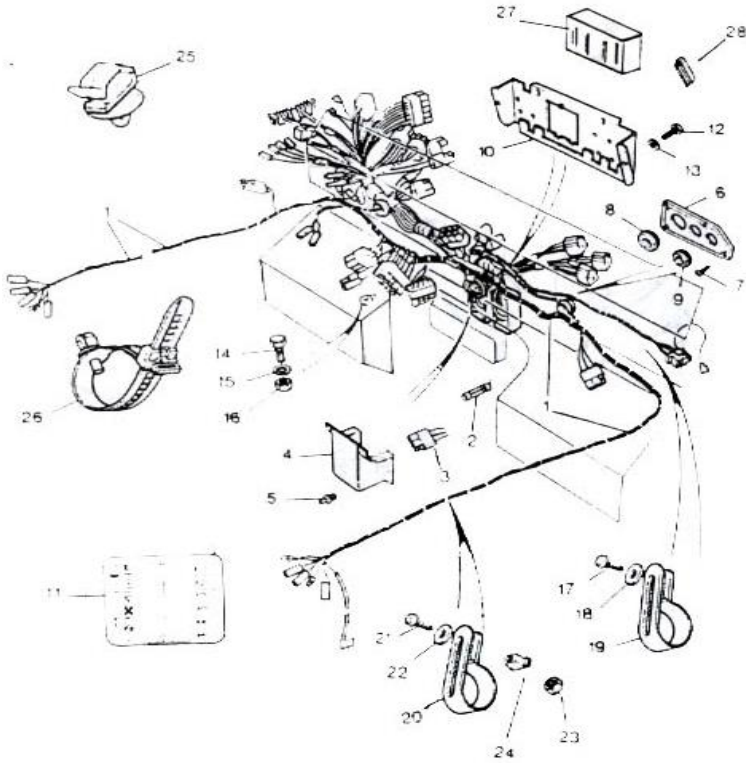
### LAND ROVER 110 YEDEK PARÇALARI

11-29

### ELEKTRİK-ELECTRICAL

### ELEKTRİK- ANA ENSTELASYON-ASKERİ ELECTRICAL-MAIN HARNESS-MILITARY

RES. NO	PARÇA NO	NATO STOK NO	MALZEMENİN ADI	MALZEMENİN YABANCI ADI	KOMP. Mik.	DAG. Birimi
1	PRC5263	2590-99-739-7163	Ana Enstelasyon	Main Harness	1	ADET
	PRC5263-LM	2590-99-739-7163	Ana Enstelasyon	Main Harness	1	ADET
	PRC6757-LM	2590-99-781-0493	Ana Enstelasyon	Main Harness	1	ADET
	PRC6757-LMA	2590-99-781-0493	Ana Enstelasyon	Main Harness	1	ADET



	PRC8867-LD		Ana Enstelasyon	Main Harness	1	ADET
	C46082	5905-99-739-7165	Rezistör	Resistor	2	ADET
	PRC9096		Rezistör	Resistor	1	ADET
	AAU5034	5961-99-749-8695	Diot	Diode	2	ADET
	PRC5788-LD	2590-99-739-7164	Kızdırma Buji Kablosu-Dizel	Cable-Glow Plug Diesel	1	ADET
	AUU5034		Diot	Diode	1	ADET
2	541566		Sigorta 2.5 Amp.	Fuse 2.5 Amp.	2	ADET
	GFS410		Sigorta 5 Amp.	Fuse 5 Amp.	1	ADET

NOT1:Şasi No 8AF574030'a kadar.  
 NOT2:Şasi No 8AF574031'den 8FF384506'ya kadar.  
 NOT3:Şasi No 8FF384507'den8FF384913'e kadar.  
 NOT4:Şasi No 8ff38384914'ten Haziran 1992'ye kadar.  
 NOT5:Haziran 1992'den itibaren.  
 NOT6:Haziran 1991'e kadar.  
 NOT7:Haziran 1991den itibaren.  
 NOT8:Kasım 1991'e kadar.  
 NOT9:Kasım 1991'den itibaren.  
 NOT10:Ekim 1993'e kadar  
 NOT11:Temmuz 1992'ye kadar.  
 NOT12:Temmuz 1992'den itibaren.

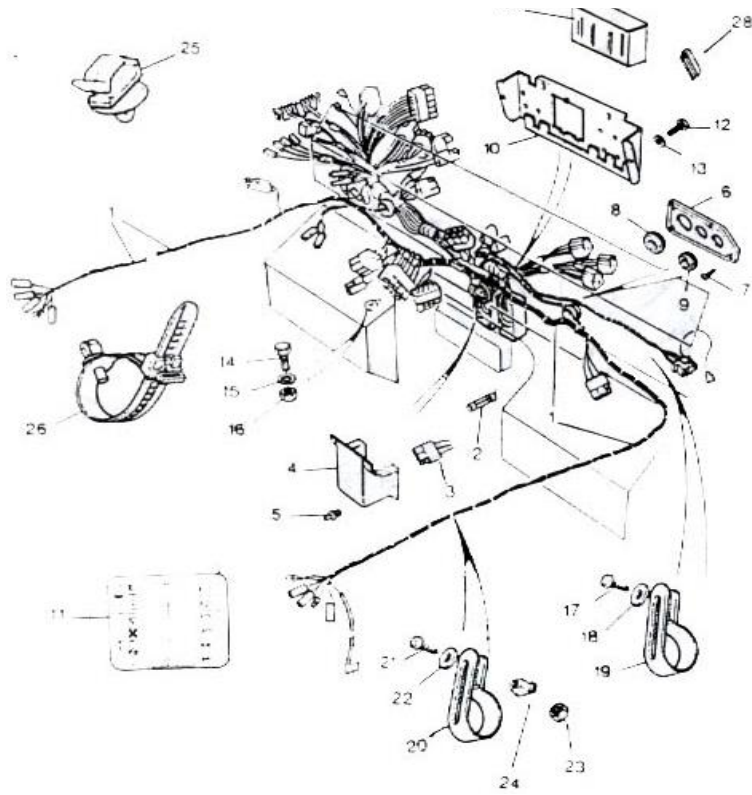
### LAND ROVER 110 YEDEK PARÇALARI

11-30

### ELEKTRİK-ELECTRICAL

### ELEKTRİK- ANA ENSTELASYON-ASKERİ ELECTRICAL-MAIN HARNESS-MILITARY

RES. NO	PARÇA NO	NATO STOK NO	MALZEMENİN ADI	MALZEMENİN YABANCI ADI	KOMP. MİK.	DAĞ. BİRİMİ
	GFS415	5920-99-803-4269	Sigorta 8 Amp.	Fuse 8 Amp.	5	ADET
	GFS420	5920-99-835-4398	Sigorta 10 Amp.	Fuse 10 Amp.	5	ADET
	GFS425	5920-99-804-8582	Sigorta 12 Amp.	Fuse 12 Amp.	1	ADET
	GFS435	5920-99-804-8583	Sigorta 17 Amp.	Fuse 17 Amp.	1	ADET
	ADU1872-L	5920-99-766-9038	Bıçak Sigorta 3 A	Fuse 3 A	4	ADET
	ADU1874-L	5920-99-767-2990	Bıçak Sigorta 5 A	Fuse 5 A	4	ADET
	ADU1875-L	5920-99-564-2476	Bıçak Sigorta 7.5 A	Fuse 7.5 A	5	ADET



	ADU1876-L	5920-99-759-5252	Bıçak Sigorta 10 A	Fuse 10 A	1	ADET
	ADU1877-L	5920-99-759-5253	Bıçak Sigorta-15 A	Fuse 15 A	3	ADET
	ADU1878-L	5920-99-759-5254	Bıçak Sigorta-20 A	Fuse 20 A	3	ADET
3	PRC3037	5340-99-957-5231	Ana Enst.Giriş Kapağı	Cover-Harness-Dash Center	1	ADET
4	BRC8089	5320-99-648-0477	Perçin-Kapağı Göğüse	Rivet-Cover to Dash	4	ADET

NOT1:Şasi No 8AF574030'a kadar.  
 NOT2:Şasi No 8AF574031'den 8FF384506'ya kadar.  
 NOT3:Şasi No 8FF3844507'den8FF384913'e kadar.  
 NOT4:Şasi No 8ff38384914'ten Haziran 1992'ye kadar.  
 NOT5:Haziran 1992'den itibaren.  
 NOT6:Haziran 1991'e kadar.  
 NOT7:Haziran 1991'den itibaren.  
 NOT8:Kasım 1991'e kadar.  
 NOT9:Kasım 1991'den itibaren.  
 NOT10:Ekim 1993'e kadar  
 NOT11:Temmuz 1992'ye kadar.  
 NOT12:Temmuz 1992'den itibaren.

## LAND ROVER 110 YEDEK PARÇALARI

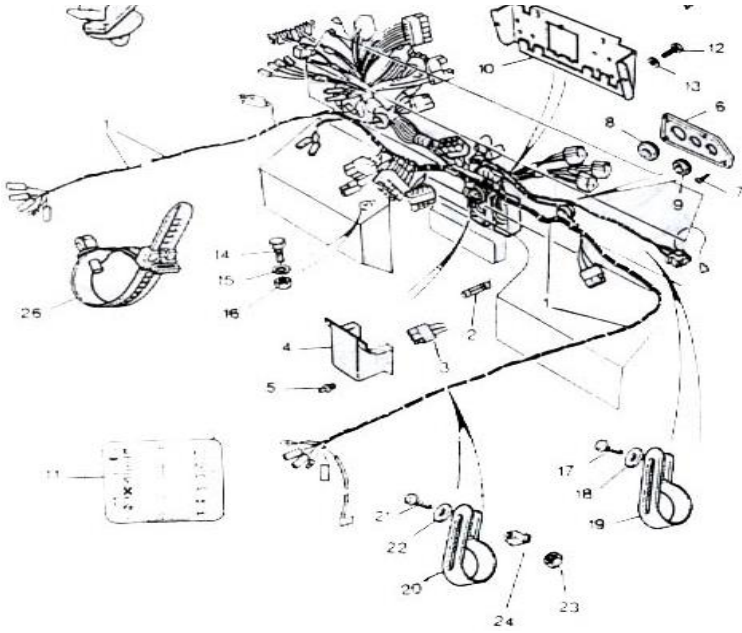
11-31

## ELEKTRİK-ELECTRICAL

### ELEKTRİK- ANA ENSTELASYON-ASKERİ

RES. NO	PARÇA NO	NATO STOK NO	MALZEMENİN ADI	MALZEMENİN YABANCI ADI	KOMP. MİK.	DAĞ. BİRİMİ
5	PRC1333-LD	2540-99-829-7536	Göğüs Giriş Lastiği	Bulkhead Grommet Plate	1	ADET
6	71A00-81356-AA		Sac Vidası	Drive Screw	8	ADET
7	338024-L		Tapa	Plug	1	ADET
8	338023-L	5325-99-815-9851	Tapa	Plug	2	ADET
9	PRC2443-L	2590-99-797-3865	Sigt.Kutusu ve Röle Bağl. Saci	Fuse Box & Relay Mtg. Panel	1	ADET
	PRC8072-LD	2590-99-152-4191	Sigorta Paneli	Fuse Box	1	ADET
10	71A00-36255-AB		Sigorta Etiket	Label Fuse Identification	1	ADET
	PRC8252-LD	7690-99-708-9483	Sigorta Etiket	Label Fuse Identification	1	ADET





- NOT1:Şasi No 8AF574030'a kadar.  
 NOT2:Şasi No 8AF574031'den 8FF384506'ya kadar.  
 NOT3:Şasi No 8FF3844507'den8FF384913'e kadar.  
 NOT4:Şasi No 8ff38384914'ten Haziran 1992'ye kadar.  
 NOT5:Haziran 1992'den itibaren.  
 NOT6:Haziran 1991'e kadar.  
 NOT7:Haziran 1991'den itibaren.  
 NOT8:Kasım 1991'e kadar.  
 NOT9:Kasım 1991'den itibaren.  
 NOT10:Ekim 1993'e kadar  
 NOT11:Temmuz 1992'ye kadar.  
 NOT12:Temmuz 1992'den itibaren.

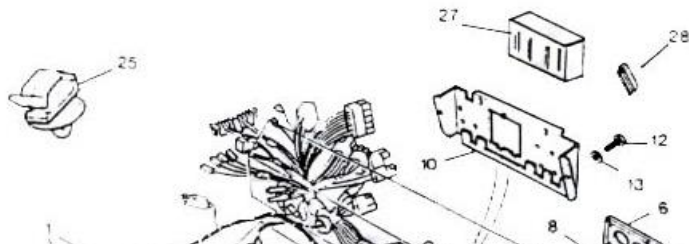
## LAND ROVER 110 YEDEK PARÇALARI

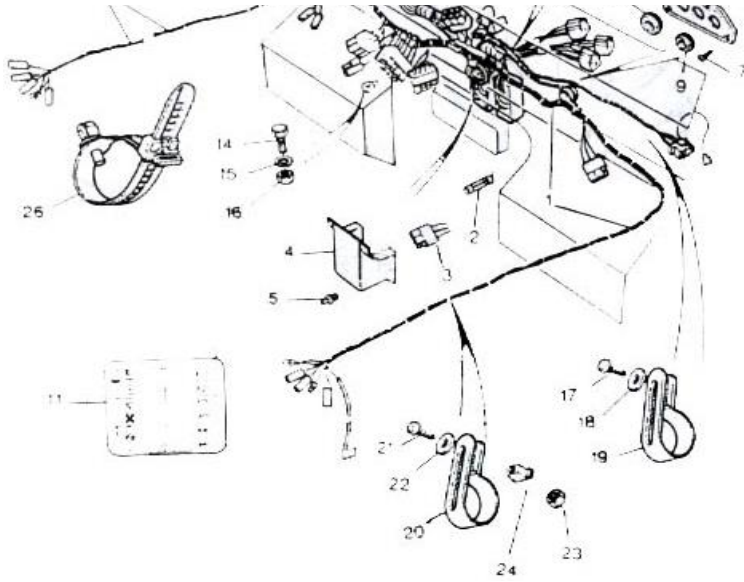
11-32

## ELEKTRİK-ELECTRICAL

### ELEKTRİK- ANA ENSTELASYON-ASKERİ

RES. NO	PARÇA NO	NATO STOK NO	MALZEMENİN ADI	MALZEMENİN YABANCI ADI	KOMP. Mik.	DAG. BİRİMİ
11	71A00-81327-AA	5305-99-306-3747	Civata	Screw(SE106121)	2	ADET
12	WF600041L	5310-66-016-5982	Rondela	Spring Washer	2	ADET
13	11000-80006-AA	5305-99-122-5359	Civata	Screw (SH106121)	1	ADET
14	11000-80301-AA	5310-27-006-2927	Rondela	Spring Washer	1	ADET
15	72B00-80217-AA	5310-99-122-5295	Somun	Nut (NH106041)	2	ADET
16	11000-80006-AA	5305-99-122-5359	Civata	Screw (SH106121)	1	ADET
	11000-80008-AA	5306-27-006-2700	Civata	Screw (FS106201)	2	ADET
17	MRC5527-LD	5310-99-977-1694	Pul	Plain Washer	2	ADET
18	12A00-80586-AA	5340-99-840-3122	Kelepçe/Metal	Cable Clip/Metal	1	ADET
	C39377/1	5340-66-128-4932	Kelepçe/Plastik	Cable Clip	1	ADET
19	AFU1090L	5340-99-788-7393	Kelepçe	Clip	1	ADET
20	AAU3686	5975-99-787-7254	Şerit Kelepçe	Cable Strap	1	ADET
21	14C01-82575-AA		Şerit Kelepçe/Metal	Cable Clip/Metal	1	ADET
	C39377/1	5340-66-128-4932	Şerit Kelepçe/Plastik	Cable Clip	1	ADET
22	390939-L	3120-99-702-1796	Burç	Bush	2	ADET





23	PRVC4412-L		Sigorta Maşası	Extractor Fuse	1	ADET
----	------------	--	----------------	----------------	---	------

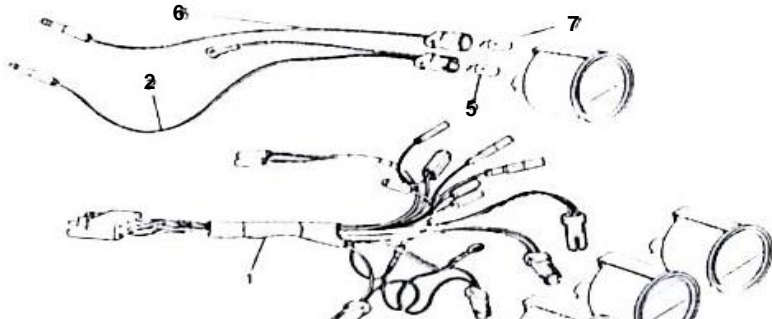
NOT1:Gerektiği kadar.  
 NOT2:Şasi No HA455596'dan itibaren.  
 NOT3:Şasi No FA423989'dan itibaren.

### LAND ROVER 110 YEDEK PARÇALARI

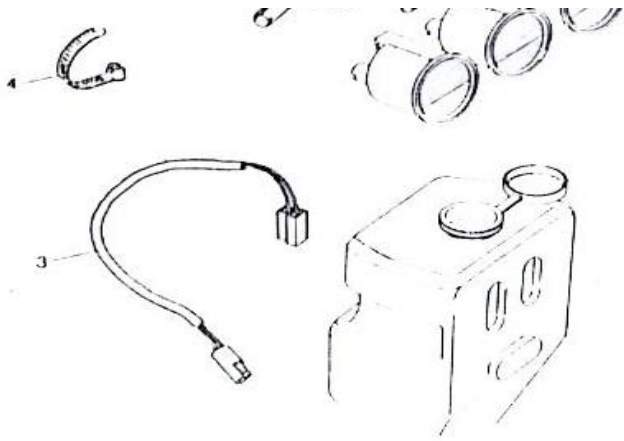
11-33

### ELEKTRİK-ELECTRICAL

#### ENSTELASYON HARNES



RES. NO	PARÇA NO	NATO STOK NO	MALZEMENİN ADI	MALZEMENİN YABANCI ADI	KOMP. MİK.	DAĞ. BİRİMİ
1	PRC7326-LD	2590-99-725-1642	Gösterge Kablo Demeti	Harness-Instruments	1	ADET
	PRC8410-L	2590-99-573-7701	Gösterge Kablo Demeti	Harness-Instruments	1	ADET
	RTC6164	6240-99-126-6641	Ampul	Bulb	4	ADET
2	PRC2374-LD	6250-99-797-3873	İlave Göstergeler Kablo Demeti	Harness-Auxiliary Instruments	1	ADET
	PRC7329-LD	2590-99-235-3893	İlave Göstergeler Kablo Demeti	Harness-Auxiliary Instruments	1	ADET
	RTC6164	6240-99-126-6641	Ampul	Bulb	1	ADET
3	PRC3101-LD	2590-99-797-3875	Silecek Suyu Pompa Kablosu	Harness-Main to Washer Pump	1	ADET
4	C45099L		Şerit Kelepçe	Cable Cleat	4	ADET
5	573289	3040-33-153-8436	Ampul	Bulb	1	
	PRC3095-LD	2590-99-797-3874	BFIV Kablo Çıkışı	Harness-Main to PDWA Switch	1	
	PRC4318-L	2590-99-779-6002	BFIV Kablo Çıkışı	Harness-Main to PDWA Switch	1	
6	PRC7060		Kablo-Saat Aydınlatma	Cable-Clock Illumination	1	



NOT1:Şasi No FA450204'e kadar.  
 NOT2:Şasi No FA450205'te nitibaren.  
 NOT3:Şubat 1990'a kadar.  
 NOT4:Şubat 1991'den itibaren.  
 NOT5:Gerektiği kadar.  
 NOT6:Nisan 1991'e kadar.  
 NOT7:Nisan 1991'den itibaren.

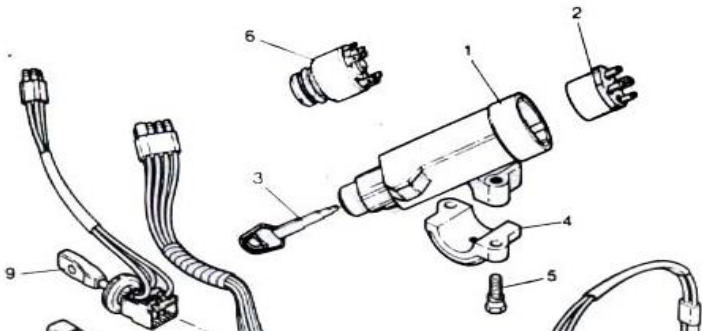
## LAND ROVER 110 YEDEK PARÇALARI

11-34

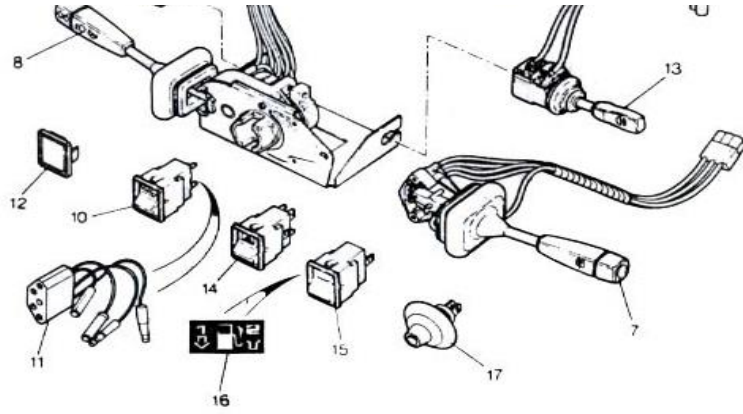
## ELEKTRİK-ELECTRICAL

### ANAHTARLAR SWITCHES

RES. NO	PARÇA NO	NATO STOK NO	MALZEMENİN ADI	MALZEMENİN YABANCI ADI	KOMP. MİK.	DAG. BİRİMİ
1	NRC3907	2920-99-730-9621	Direksiyon Kilidi(Benzinli)	Steering Column Lock(Petrol)	1	ADET
	NTC7855	2920-99-730-9621	Direksiyon Kilidi(Benzinli)	Steering Column Lock(Petrol)	1	ADET
	NRC3908	2590-99-777-5301	Direksiyon Kilidi(Dizel)	Steering Column Lock(Diesel)	1	ADET
2	579085	2920-99-824-2512	Ateşleme Anahtarı (Benzinli)	Ignition Switch-Petrol	1	ADET
	PRC8230	5930-99-911-7615	Ateşleme Anahtarı (Benzinli)	Ign.Sw.Inhibited-Petrol	1	ADET
	PRC2735	5930-99-777-5284	Kızdırma/Marş Anahtarı(Dizel)	Heater/Starter Switch-Diesel	1	ADET
3	AAU8276	2590-99-777-5300	Anahtar (RC 1001-2000)	Key Blank-Range RC 1001-2000	1	ADET
4	NRC7422	2590-99-777-5299	Kelepçe	Clamp	1	ADET
5	51K4001L	5306-99-136-6545	Havşa Başlı Civata	Shear Bolt	2	ADET
	WB108051L	5365-99-132-8036	Pul	Washer Plain	2	ADET
6	551508	5310-12-142-0681	Kontak Anahtarı(Benzinli)	Ignition Switch-Petrol	1	ADET
	395141	2920-99-804-8420	Kilit-Anahtar (Benzin)	Bannet Lock and Keys (Petrol)	1	ADET
	PRC2734	5930-99-797-8638	Kalorifer Çalışt.Anaht. (Dizel)	Heater/Start Switch (Diesel)	1	ADET
	RTC3022	2540-99-793-4088	Kilit-Anahtar (Dizel)	Bannet Lock and Keys (Diesel)	1	ADET
7	PRC3900	5930-99-797-8639	Yıkama/Silecek Anahtarı	Wash/Wipe Switch	1	ADET
	PRC7370	2590-99-127-4385	Yıkama/Silecek Anahtarı	Wash/Wipe Switch	1	ADET







8	PRC3875	5930-99-797-8640	Sinyal/Korna/Selektör Anahtarı	Indicator/Horn/Dip Switch	1	ADET
	STC439	5930-99-335-4719	Sinyal/Korna/Selektör Anahtarı	Indicator/Horn/Dip Switch	1	ADET

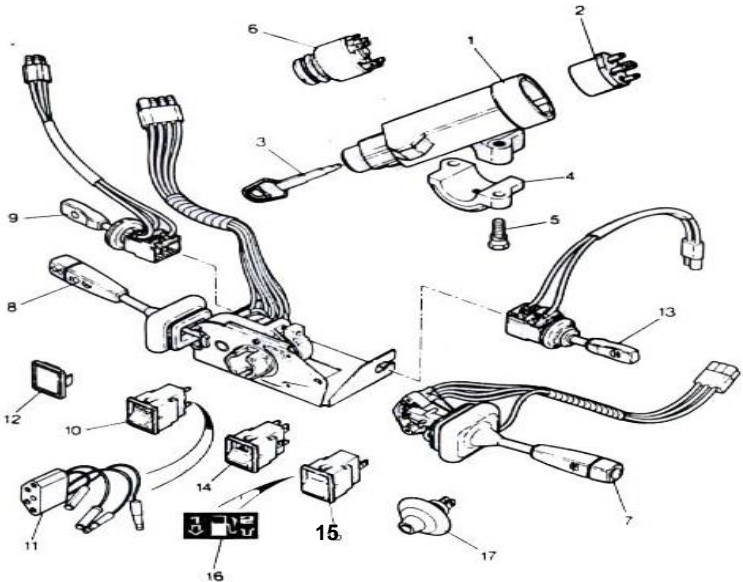
NOT1:Şasi No FA415292'ye kadar.  
 NOT2:Şasi No FA415293'den sonra  
 NOT4:Direksiyon kilidi olmayan araçlarda  
 NOT5:Şasi No FA455595'ten önce  
 NOT6:Şasi No FA455596'dan itibaren.  
 NOT7:Nisan 1991'den itibaren.

## LAND ROVER 110 YEDEK PARÇALARI

11-35

## ELEKTRİK-ELECTRICAL

### ANAHTARLAR



RES. NO	PARÇA NO	NATO STOK NO	MALZEMENİN ADI	MALZEMENİN YABANCI ADI	KOMP. MİK.	DAĞ. BİRİMİ
9	PRC3430	5930-99-797-8641	Far Anahtarı	Master Light Switch	1	ADET
10	PRC2497-LD	5930-99-797-8642	Gösterge-Tavan Lamba Anahtarı	Panel-Interior Light Switch	1	ADET
	PRC7371-L	5930-99-352-7983	Gösterge-Tavan Lamba Anahtarı	Panel-Interior Light Switch	1	ADET
11	PRC5679-LD	6150-99-872-8936	Kablo-Gösterge	Cable Assy-Panel	1	ADET
	PRC8470	2805-99-375-3381	İç Aydınlatma Kablosu	Cable Interior Light	1	ADET
	AMR2449-L	6150-27-006-7828	İç Aydınlatma Kablosu	Cable Interior Light	1	ADET
12	CZH3827L		Kör Tapa	Plug-Switch Aperture	3	ADET
	AAM222	2540-99-052-3876	Kör Tapa	Plug-Switch Aperture	3	ADET
13	PRC3432	5930-99-797-8643	Arka Sis Lambası Anahtarı	Switch-Rear Fog Lamp	1	ADET
14	ASU1009		Dörtlü Flaşör	Switch-Hazard Warning	1	ADET
	STC873	6240-99-995-1945	Ampul-Flaşör	Bulb Hazard Switch	1	ADET
15	C38637	5930-99-004-0383	Anaht.Yakıt Yedek Depo	Switch-Fuel Changeover	1	ADET
16	PRC5537		Etiket-Yakıt Yedek Depo Anaht.	Label-Changeover Switch	1	ADET
17	PRC8231		Kapı Butonu-İç Aydınlatma	Door Switch-Courtesy Light	1	ADET
	AFU4241	5930-99-762-4235	Kapı Butonu-İç Aydınlatma	Switch-Courtesy Light	1	ADET

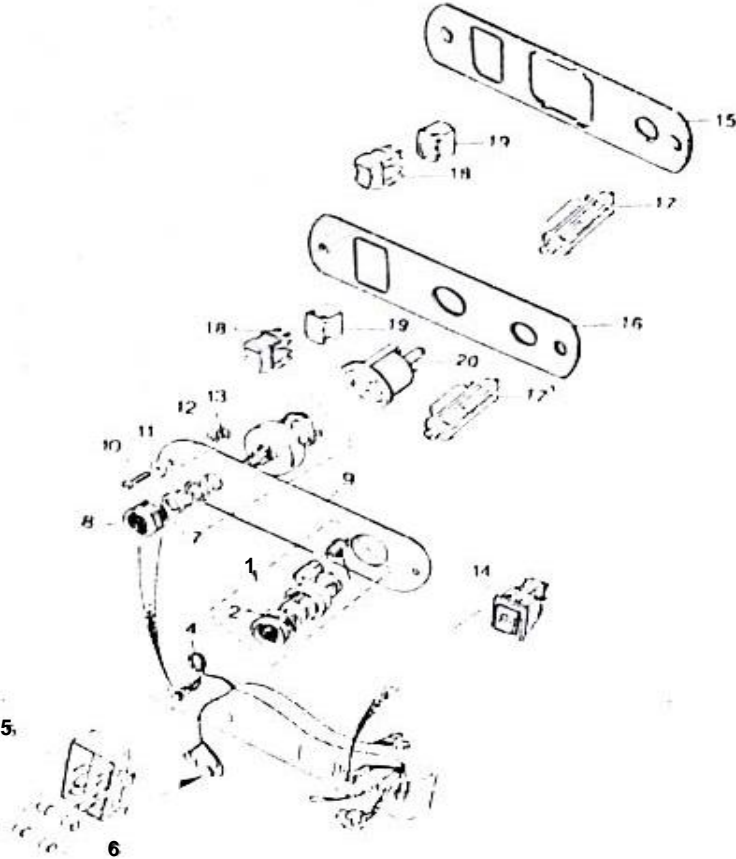
NOT1:Şasi No FA455595'e kadar.  
 NOT2:Şasi No FA455596'dan itibaren.  
 NOT3:Şasi No FA455596'dan KA925760'a kadar.  
 NOT4:Şasi No KA925761'den itibaren.  
 NOT5:Şasi No FA414357'ye kadar.  
 NOT6:Şasi No FA414358'den itibaren.  
 NOT7:Şasi No HA455596'dan HA903278'e kadar.  
 NOT8:Şasi No HA903279'dan itibaren.

## LAND ROVER 110 YEDEK PARÇALARI

11-36

## ELEKTRİK-ELECTRICAL

### ÇAKMAK-ARKA CAM YIKAMA VE ISITICILI ARKA CAM ANAHTARLARI CIGAR LIGHTER- REAR WASH & HEATED REAR WINDOW SWITCHES



RES. NO	PARÇA NO	NATO STOK NO	MALZEMENİN ADI	MALZEMENİN YABANCI ADI	KOMP. MİK.	DAĞ. BİRİMİ
1	PRC9410	2540-99-011-2645	Çakmak	Cigar Lighter	1	ADET
	YUJ10037		Çakmak	Cigar Lighter	1	ADET
2	DRC8398		Çakmak Mekanizması	Popout Unit	1	ADET
	STC733		Çakmak Mekanizması	Popout Unit	1	ADET
3	RTC3635	6240-12-171-6626	Ampul-12V	Bulb-12V	1	ADET
4	PRC4720-LD		Kablo Komple	Harness	1	ADET
	PRC9334-LD		Kablo Komple	Harness	1	ADET
5	PRC3737	5920-99-730-9637	Sigorta Kutusu	Fusebox	1	ADET
6	GFS410		Sigorta 5 Amp	Fuse 5 Amp	1	ADET
	GFS420	5920-99-835-4398	Sigorta 10 Amp	Fuse 10 Amp	1	ADET
7	PRC4449	6110-99-766-0595	Arka Cam Yık.ve Sil.Anahtarı	Rear Wash Wipe Switch	1	ADET
8	PRC4454	5355-99-779-5997	Arka Cam Yık.ve Sil.Butonu	Knob-Wash Wipe Switch	1	ADET
9	MUC1584		Aksesuar Sacı Komple	Facia Plate Assy	1	ADET
	MWC9303		Aksesuar Sacı Komple	Facia Plate Assy	1	ADET

NOT1:Şasi No JA915407'ye kadar.  
 NOT2:Şasi No JA915407.  
 NOT3:Şasi No JA913074'e kadar.  
 NOT4:Şasi No JA913075'ten itibaren.  
 NOT5:Temmuz 1992'ye kadar.

NOT6:Temmeuz 1992'den itibaren.  
NOT7:Şasi No 319740'a kadar.  
NOT8:Şasi No 319741'den itibaren.

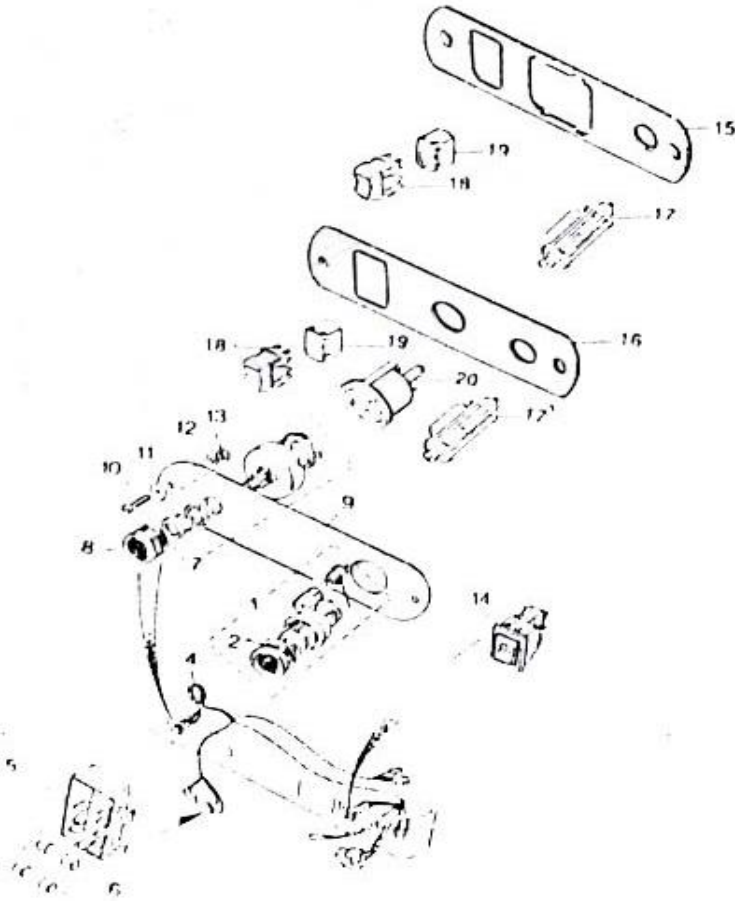
## LAND ROVER 110 YEDEK PARÇALARI

11-37

## ELEKTRİK-ELECTRICAL

### ÇAKMAK-ARKA CAM YIKAMA VE ISITICILI ARKA CAM ANAHTARLARI CIGAR LIGHTER- REAR WASH & HEATED REAR WINDOW SWITCHES

RES. NO	PARÇA NO	NATO STOK NO	MALZEMENİN ADI	MALZEMENİN YABANCI ADI	KOMP. MİK.	DAG. BİRİMİ
10	71A00-81325-AA	5305-27-006-2729	Civata	Screw (SE105204)	2	ADET
11	71A00-80314-AA	5310-27-006-2945	Pul	Plain Washer (WC105007)	2	ADET
12	71A00-80300-AA	5310-66-128-5784	Rondela	Spring Washer (WL105004)	2	ADET
13	71A00-80200-AA	5310-27-006-2771	Somun	Nut (NH105041)	2	ADET
14	PRC4433-LD	5930-99-779-5998	Anahtar Arka Rezistansli Cam	Switch-H.R.W.	1	ADET
15	71A10-36092-AA	2510-27-006-2784	Aksesuar Saci Komple	Facia Plate Assy	1	ADET
16	71A10-36092-BA	2510-27-006-2784	Aksesuar Saci Komple	Facia Plate Assy	1	ADET
17	71A10-36246-AA		Çakmak Komple	Cigar Ligter Assy	1	ADET
18	71A00-36317-AA		Arka Cam Sil.ve Yik.Anahtari	Switch-Rear Wash Wipe	1	
19	14C01-36028-AA		Cep-Buton Montaj	Housing	1	
20	PRC7315-L	6625-99-797-3897	Aku Sarj Gostergesi	Battery Condition Indicator	1	
21	71A00-36032-AA		Röle 30A	Relay 30A	1	



NOT1:Sadece askeri araçlarda.  
NOT2:Şasi No AF574099'dan itibaren.  
NOT3:Şasi No AF574099'dan itibaren.

NOT3:Şasi No 8AF574099'dan itibaren.

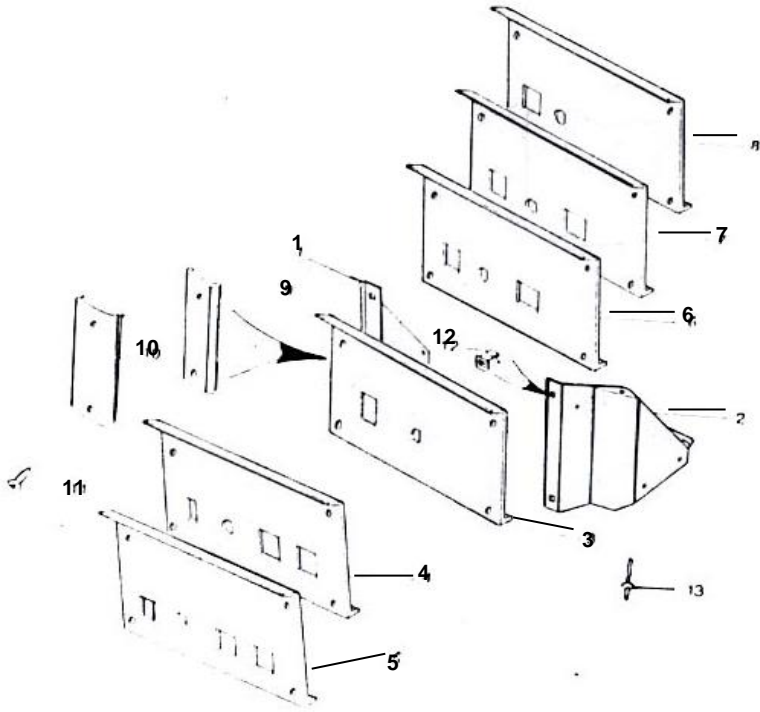
LAND ROVER 110 YEDEK PARÇALARI

11-38

ELEKTRİK-ELECTRICAL

GÖSTERGE PANELİ-EK  
AUXILIARY DASH PANEL MILITARY

RES. NO	PARÇA NO	NATO STOK NO	MALZEMENİN ADI	MALZEMENİN YABANCI ADI	KOMP. MİK.	DAG. BİRİMİ
1	71A10-36237-AB		Gösterge Anahtar Paneli Sol	Auxiliary Switch Panel LH	1	ADET
	72A10-36237-AA	5365-27-006-2818	Gösterge Anahtar Paneli Sol	Auxiliary Switch Panel LH	1	ADET
2	71A10-36238-AB		Gösterge Anahtar Paneli Sağ	Auxiliary Switch Panel RH	1	ADET
	72A10-36238-AA	5365-27-006-2819	Gösterge Anahtar Paneli Sağ	Auxiliary Switch Panel RH	1	ADET
3	71A10-36235-AB		Gösterge Anahtar Paneli Orta	Auxiliary Switch Panel Center	1	ADET
4	71A10-36235-BC		Gösterge Anahtar Paneli Orta	Auxiliary Switch Panel Center	1	ADET
5	71A10-36235-CD		Gösterge Anahtar Paneli Orta	Auxiliary Switch Panel Center	1	ADET
	71A10-36235-CE	5365-27-006-2805	Gösterge Anahtar Paneli Orta	Auxiliary Switch Panel Center	1	ADET
6	71A50-36235-AA		Gösterge Anahtar Paneli Orta	Auxiliary Switch Panel Center	1	ADET



NOT1:Haziran 1991'e kadar.  
NOT2:Haziran 1991'den itibaren.  
NOT3:Şasi No 8FF365954' kadar.  
NOT4:Şasi No 8FF365955'ten 8FF378214'e kadar.  
NOT5:Şasi No 8FF378214'ten Aralık 1991'e kadar.  
NOT6:Aralık 199'den itibaren.  
NOT7:Şasi No 8FF378214'e kadar. (Tenteli Askeri Araçlarda.)

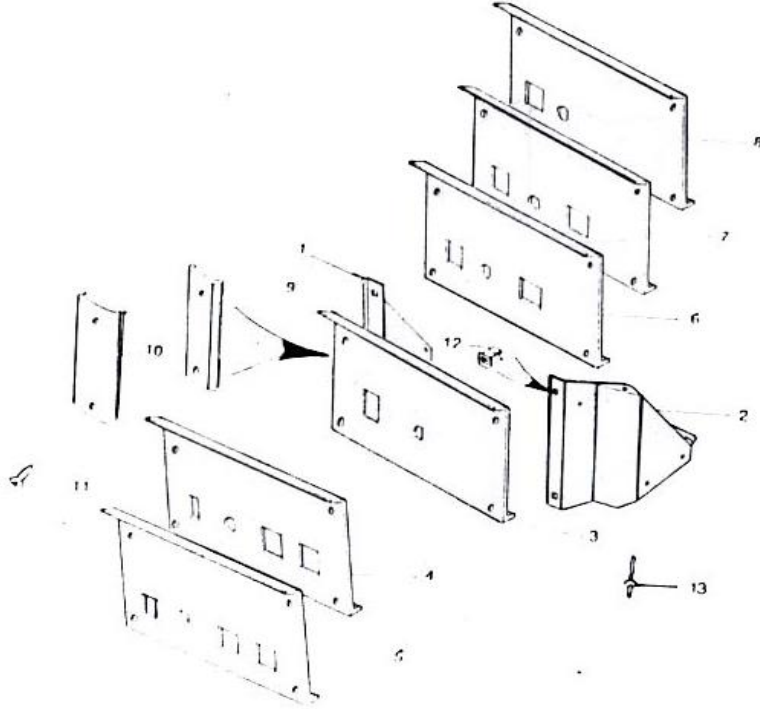
LAND ROVER 110 YEDEK PARÇALARI

11-39

ELEKTRİK-ELECTRICAL

**GÖSTERGE PANELİ-EK  
AUXILIARY DASH PANEL MILITARY**

RES. NO	PARÇA NO	NATO STOK NO	MALZEMENİN ADI	MALZEMENİN YABANCI ADI	KOMP. MİK.	DAĞ. BİRİMİ
7	71A50-36235-AB		Gösterge Anahtar Paneli Orta	Auxiliary Switch Panel Center	1	ADET
	73B00-36235-AA		Gösterge Anahtar Paneli Orta	Auxiliary Switch Panel Center	1	ADET
8	72A10-36235-AA		Gösterge Anahtar Paneli Orta/Pikap	Auxiliary Switch Panel Center/HCPU	1	ADET
	72A10-36235-AB		Gösterge Anahtar Paneli Orta/Pikap	Auxiliary Switch Panel Center/HCPU	1	ADET
9	71A10-72190-AA		Aluminyum Prifil	Aluminium Profile	2	ADET
10	71A10-72191-AA	2540-27-006-7888	Lastik Profil	Rubber Profile	2	ADET
11	71A00-81338-AA	5306-27-006-2744	Sac Vidası	Drive Screw	4	ADET
12	CZH0619		Dübel	Lokut Nut (Alternative 79013)	4	ADET
13	11000-80410-AA		Perçin	Rivet	4	ADET
	11000-80411-AA		Perçin	Rivet	4	ADET



NOT1:Şasi No 8FF391924'ten Haziran 1991'e (Tenteli Askeri)  
 NOT2:Haziran 1991'den itibaren (Tenteli Askeri Araçlarda)  
 NOT3:Haziran 1992'den itibaren.  
 NOT4:Birbirinin yerine kullanılabilir.

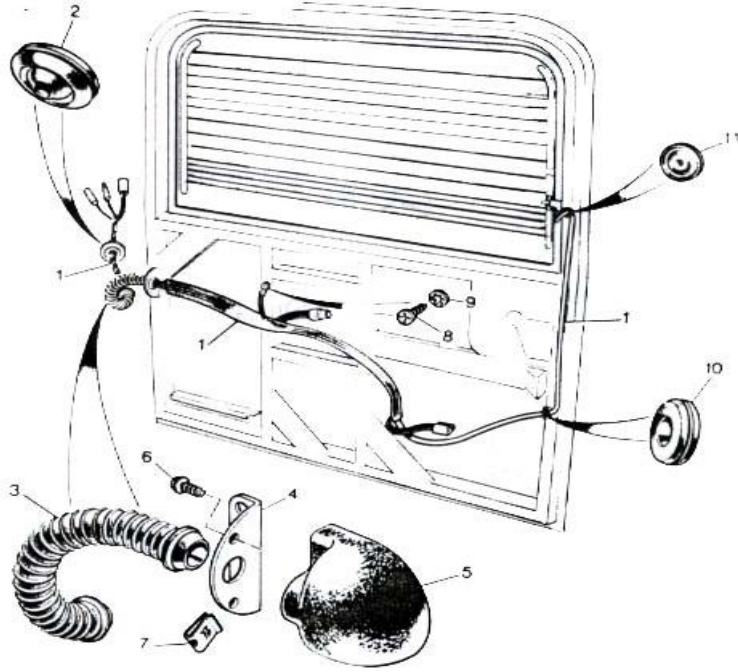
**LAND ROVER 110 YEDEK PARÇALARI**

**11-40**

**ELEKTRİK-ELECTRICAL**

**ARKA CAM YIKAMA VE ARKA REZİSTANSLI CAM  
REAR WASH WIPE AND HEATED REAR WINDOW**

RES. NO	PARÇA NO	NATO STOK NO	MALZEMENİN ADI	MALZEMENİN YABANCI ADI	KOMP. MİK.	DAĞ. BİRİMİ
1	PRC6290-LD	6150-99-309-2441	Kablo Demeti	Harness	1	ADET



	PRC4499-LD		Arka Rezistans Kablosu-Şasi	Cable-Heated Rear Heated Window-Chassis	1	ADET
2	71A00-36403-AA	5325-99-551-9105	Gromet	Grommet (BMK1714)	1	ADET
3	PRC4471-L	5325-99-776-9703	Körüklü Gromet	Convolute Grommet	1	ADET
4	MTC9914	2590-99-500-0498	Bağlantı Braketi	Mounting Bracket	1	ADET
5	MTC9915	2590-99-075-5595	Kapak-Bağlantı Brkt.-Siyah	Cover-Mounting Brkt.-Black	1	ADET
	MTC9915LCS	2590-99-075-5595	Kapak-Bağlantı Brkt.-Gri	Cover-Mounting Brkt.-Grey	1	ADET
6	71A00-81315-AA	5305-99-977-1029	Civata	Screw (AA606044)	2	ADET
7	71A00-81451-AA	5310-99-788-7558	Özel Somun	Spire Nut (AK606011)	2	ADET
8	71A00-81348-AA	5305-99-941-8363	Sac Vidası	Drive Screw	1	ADET
9	71A00-80315-AA	5310-99-122-3032	Pul	Plain Washer	1	ADET
10	3H822-LD		Gromet-Alt	Grommet-Lower	1	ADET
11	27H5311-LD	5325-27-006-8264	Gromet-Üst	Grommet-Upper (233244)	1	ADET
12	71A00-72306-AA		Arka Cam Rezistans Kalkanı	Prodector-Rear Wash Wipe	1	ADET
13	13B00-81344-AA		Sac Vidası	Drive Screw	4	ADET

NOT1:1988 Model Yılı -Şasi No EA314268-araçlara kadar.  
NOT2:1988 Model Yılı -EA314269-araçlardan itibaren.

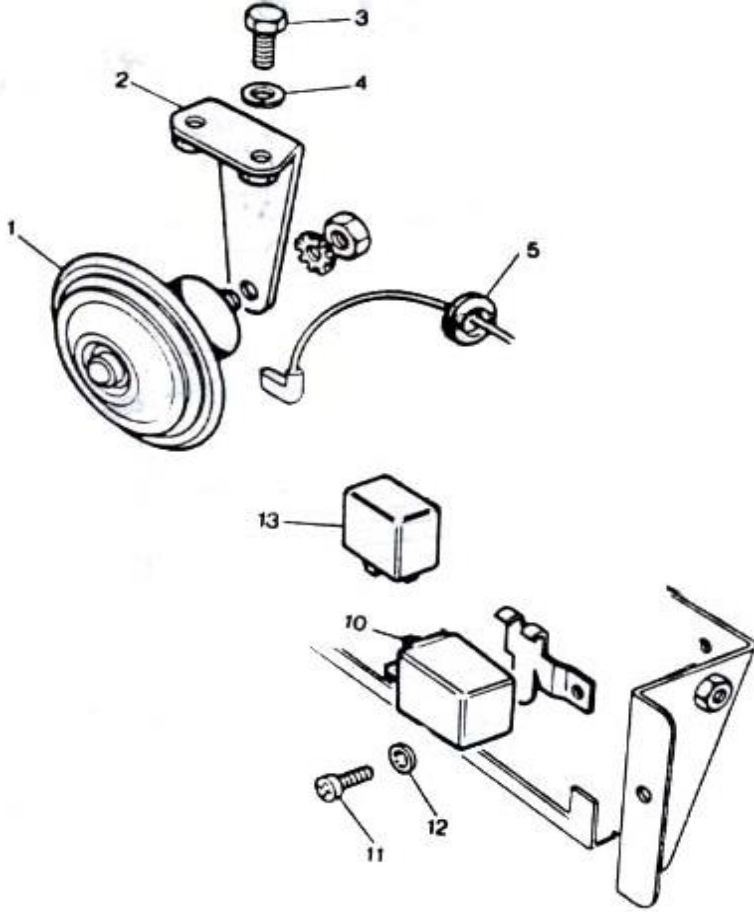
## LAND ROVER 110 YEDEK PARÇALARI

11-41

## ELEKTRİK-ELECTRICAL

### KORNA

RES. NO	PARÇA NO	NATO STOK NO	MALZEMENİN ADI	MALZEMENİN YABANCI ADI	KOMP. Mik.	DAĞ. Birimi
1	PRC2057-LM	2590-99-797-3883	Korna	Horn	1	ADET
2	PRC1984-LM	5340-99-254-7586	Korna Braketi	Horn Mounting Bracket	1	ADET
3	11000-80068-AA		Civata	Screw (SH106141)	2	ADET
4	11000-80301-AA	5310-27-006-2927	Rondela	Spring Washer	2	ADET
5	27H5311-LD	5325-27-006-8264	Gromet	Grommet (233244)	1	ADET



10	71A00-36319-AA		Flaşör	Flasher Unit	1	ADET
	PRC8876-L	5945-99-701-0924	Flaşör 12V	Flasher Unit	1	ADET
11	71A00-81327-AA	5305-99-306-3747	Civata	Screw (SE106121)	1	ADET
12	WF106001L	5310-99-495-6411	Tırtıllı Pul	Shakeproof Washer	1	ADET

NOT1:Kasım 1991'e kadar.  
NOT2:Kasım 1991'den itibaren.

### LAND ROVER 110 YEDEK PARÇALARI

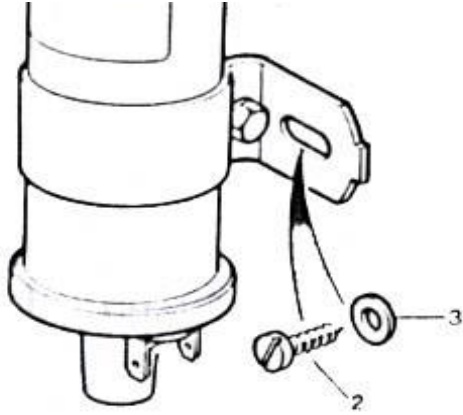
11-42

### ELEKTRİK-ELECTRICAL

### ELEKTRİK-BOBİN -2.5 LT BENZİNLİ



RES. NO	PARÇA NO	NATO STOK NO	MALZEMENİN ADI	MALZEMENİN YABANCI ADI	KOMP. MİK.	DAG. BİRİMİ
1	RTC5629	2920-99-197-9660	Bobin (2.5 lt)	Ignition Coil (2.5 lt)	1	ADET
2	71A00-81352-AA	5306-27-006-2752	Sac Vidası	Drive Screw (AB614061)	2	ADET
3	WJ106007		Pul	Plain Washer	2	ADET



**LAND ROVER 110 YEDEK PARÇALARI**

**11-43**

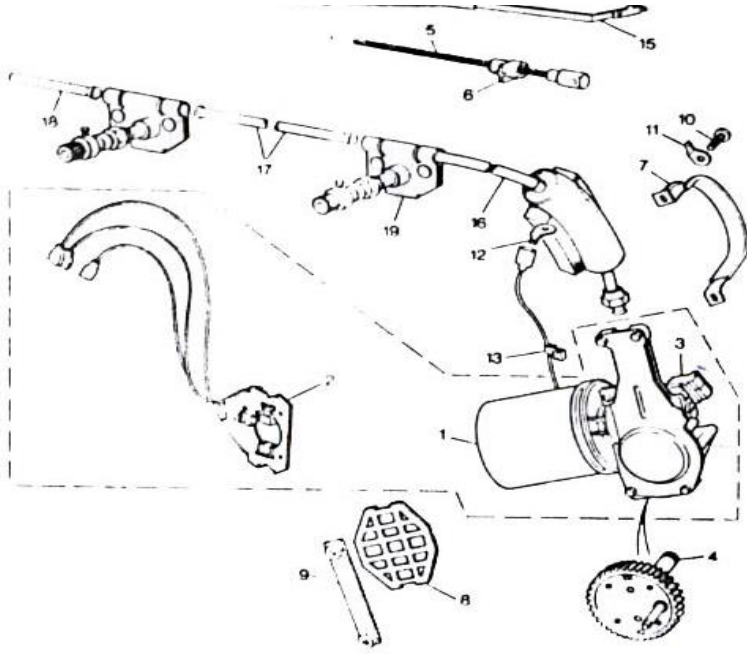
**ELEKTRİK-ELECTRICAL**

**ÖN CAM SİLECEK MOTORU**

RES. NO	PARÇA NO	NATO STOK NO	MALZEMENİN ADI	MALZEMENİN YABANCI ADI	KOMP. MİK.	DAĞ. BİRİMİ
1	RTC3867	2540-99-809-6482	Silecek Motoru	Windscreen Wiper Motor	1	ADET
	RTC4679	2540-99-733-8615	Silecek Motoru	Windscreen Wiper Motor	1	ADET
2	RTC198	2540-99-821-8949	Kömür Takımı	Brush Set	1	ADET
3	520160	2540-99-821-9330	Park Müşiri	Park Switch	1	ADET
4	517646	2530-99-147-3744	Silecek Motoru Dişlisi	Gear Wiper Motor	1	ADET
5	37H5208L	2540-99-804-7748	Tahrik Spirali	Rack	1	ADET
6	37H3694L	2540-99-819-8228	Yüksük	Ferrule	1	ADET
7	BHA4790L		Kelepçe	Strap Assembly	1	ADET
8	150844	5340-99-819-8231	Ara Parça	Pad	1	ADET
9	MTC2607-L	2540-99-721-4437	Somunlu Sac	Nut Plate	1	ADET







10	11003-80076-AA		Civata	Screw (SE106161)	2	ADET
11	505205	5940-99-805-0400	Topraklama Terminali	Lucar Blade-Wiper Earth	1	ADET
12	STC712		Topraklama Terminali	Lucar Blade	1	ADET

NOT1:Normal tip  
 NOT2:Parazit izolasyonlu tip  
 NOT3:Parazit izolasyonlu tiplerde bu parça RTC5575 no'lu kompleye dahildir.  
 NOT4:Ağustos 1993'e kadar.  
 NOT5:Pikap için.

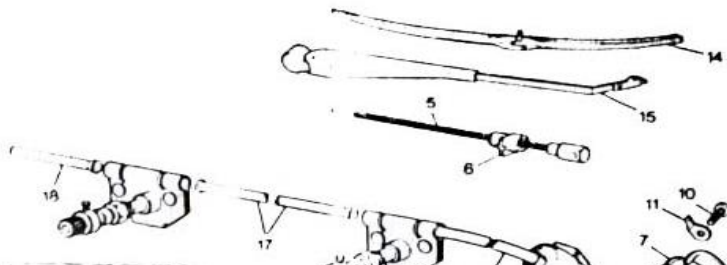
## LAND ROVER 110 YEDEK PARÇALARI

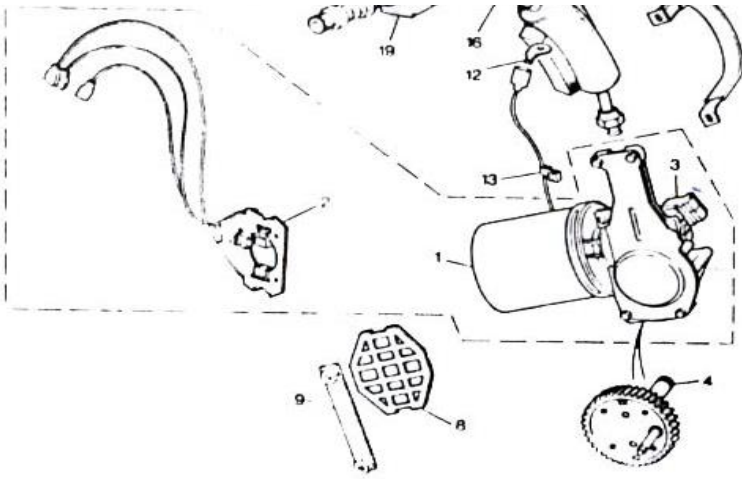
11-44

## ELEKTRİK-ELECTRICAL

### ÖN CAM SİLECEK MOTORU WINDSCREEN WIPERS

RES. NO	PARÇA NO	NATO STOK NO	MALZEMENİN ADI	MALZEMENİN YABANCI ADI	KOMP. Mik.	DAĞ. BİRİMİ
13	570351	5340-99-825-6424	Klip	Cable Clip	1	ADET
14	71A00-75026-AA	2540-27-006-5001	Silecek Silgisi	Wiper Blade	2	ADET
15	PRC4277-LD	2540-27-005-9900	Silecek Kolu	Wiper Arm	2	ADET
16	PRC3672	2540-99-771-6983	Motorla Dişli Kut.Arası Boru	Tube Motor to Wheelbox	1	ADET
17	PRC2471	4710-99-721-4439	Boru-Dişli Kut.Dişli Kutusuna	Tube Wheelbox to Wheelbox	1	ADET
18	575047	2540-99-809-7059	Takozdan Uca Boru	Tube Wheelbox End	1	ADET
19	PRC8495	2540-99-495-7006	Dişli Kutusu Komple	Wheel Box Assy	2	ADET
	PRC4442-LM		Dişli Kutusu Komple	Wheel Box Assy	2	ADET
	RTC4480	2590-99-978-2726	Frezeli Kol Tahriği	Splined Drum Wiper-Wheelbox	2	ADET
	STC987	2540-99-770-0135	Frezeli Kol Tahriği	Splined Drum Wiper-Wheelbox	2	ADET
	RTC5575	2540-99-739-7167	Parazit İzolasyon Kutusu	Suppression Box Assy	1	ADET





NOT1:Pikap için.  
 NOT2:Nisan 1989'a kadar.  
 NOT3:Nisan 1989'dan itibaren.  
 NOT4:Şasi No FA434647'ye kadar.  
 NOT5:Şasi No FA434648'den itibaren.

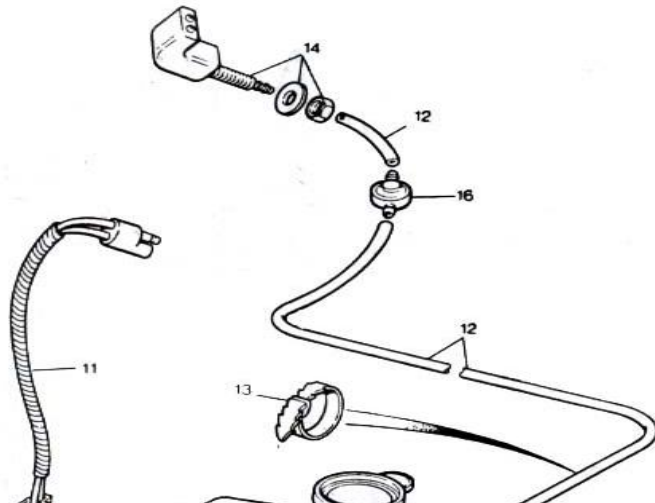
## LAND ROVER 110 YEDEK PARÇALARI

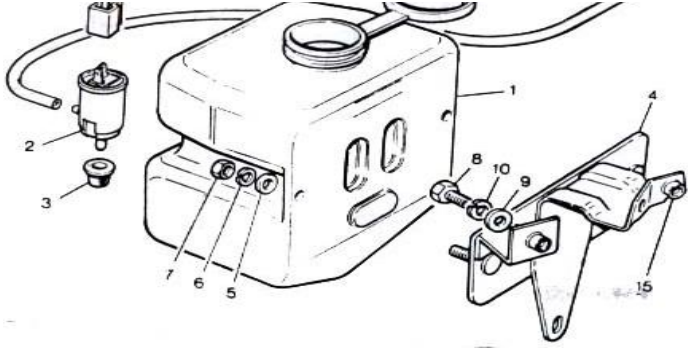
11-45

## ELEKTRİK-ELECTRICAL

### ÖN CAM YIKAMA (PİKAP VE TENTELİ)

RES. NO	PARÇA NO	NATO STOK NO	MALZEMENİN ADI	MALZEMENİN YABANCI ADI	KOMP. MİK.	DAG. BİRİMİ
1	PRC5744	2540-99-300-7631	Cam Yıkama Kabı	Screenwash Bottle	1	ADET
	PRC5744-LM	2540-99-300-7631	Cam Yıkama Kabı	Screenwash Bottle	1	ADET
	PRC8664	5340-99-875-9992	Cam Yıkama Kabı	Cap Reservoir	1	ADET
2	ADU3905	2540-99-761-5389	Cam Yıkama Pompası	Screenwash Pump	1	ADET
	ADU3905-LM	2540-99-761-5389	Cam Yıkama Pompası	Screenwash Pump	1	ADET
3	RTC3959	5325-99-761-5391	Gromet-Pompadan Şişeye	Grommet-Pump to Bottle	1	ADET
	RTC3959-LM	5325-99-761-5391	Gromet-Pompadan Şişeye	Grommet-Pump to Bottle	1	ADET
4	PRC5742	2590-99-052-0696	Bağlantı Braketi	Mounting Bracket	1	ADET
	PRC5742-LM	2590-99-052-0696	Bağlantı Braketi	Mounting Bracket	1	ADET
5	71A00-80318-AA	5310-27-006-2946	Pul	Plain Washer (WC106041)	2	ADET
6	11000-80301-AA	5310-27-006-2927	Rondela	Spring Washer	2	ADET
7	71A00-80201-AA	5310-27-006-2772	Somun	Nut (NH106041)	2	ADET
8	11000-80006-AA	5305-99-122-5359	Civata	Screw (SH106121)	1	ADET
9	11000-80351-AA	5310-27-006-2934	Pul	Plain Washer	1	ADET
10	11000-80301-AA	5310-27-006-2927	Rondela	Spring Washer	1	ADET
11	PRC5738-LD		Kablo Komple	Cable Assy-Main Cable to Pump	1	ADET
12	PRC5750-L		Cam Yıkama Hortumu	Tubing	1	ADET
13	240429	5340-99-896-0609	Kelepçe	Cable Cleat	3	ADET





14	PRC5736-LD	2540-99-255-1139	Cam Yıkama Jeti-Ön	Screewash Jet-Front	1	ADET
15	NN106021	5310-99-138-4838	Somun	Nut	2	ADET
16	ACU5037-LD		Tek Yönlü Valf	Valve Non Return	1	ADET

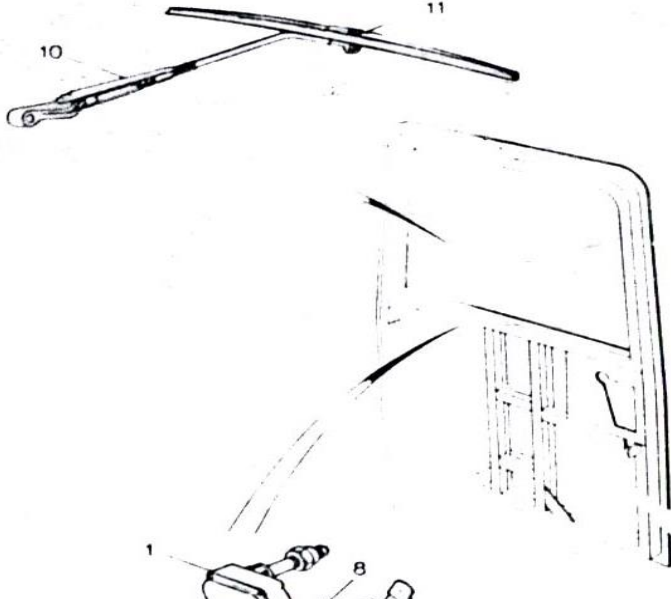
NOT1:Şasi No 8FF403049'a kadar.  
 NOT2:Şasi No 8FF403050'den itibaren.  
 NOT3:Gerektiği kadar.  
 NOT4:Şasi No HA455596'dan itibaren.

## LAND ROVER 110 YEDEK PARÇALARI

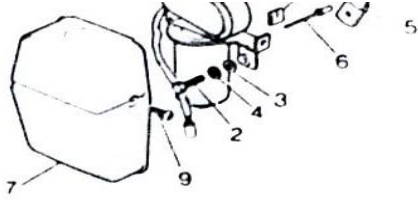
11-46

## ELEKTRİK-ELECTRICAL

### ARKA SİLME YIKAMA



RES. NO	PARÇA NO	NATO STOK NO	MALZEMENİN ADI	MALZEMENİN YABANCI ADI	KOMP. MİK.	DAG. BİRİMİ
1	PRC4612	2540-99-779-6008	Silecek Motoru	Wiper Motor	1	ADET
	AMR1054		Silecek Motoru	Wiper Motor	1	ADET
2	SR106251L		Civata	Screw	1	ADET
3	11000-80351-AA	5310-27-006-2934	Pul	Plain Washer	1	ADET
4	11000-80301-AA	5310-27-006-2927	Rondela	Spring Washer	1	ADET
5	MUC1286-L		Bağlantı Braketi	Mounting Bracket	1	ADET
	ALR2622-L	2590-99-595-4622	Bağlantı Braketi	Mounting Bracket	1	ADET
6	RA612157	5320-99-711-6294	Perçin	Rivet	1	ADET
	RA612207L	5320-99-581-6699	Perçin	Rivet	1	ADET
7	PRC4613	5340-99-349-6662	Kapak-Silecek Motoru-Siyah	Cover-Wiper Motor-Black	1	ADET
	PRC4613LCS	5340-99-349-6662	Kapak-Silecek Motoru-Gri	Cover-Wiper Motor-Grey	1	ADET
	BTR3792LCS	2540-99-133-4785	Kapak-Silecek Motoru-Gri	Cover-Wiper Motor-Grey	1	ADET
8	AK608141L	5310-99-720-4939	Özel Somun	Spire Nut	2	ADET
9	71A00-81349-AA		Sac Vidası	Drive Screw (AA608044)	2	ADET
10	71A00-75025-AA	2540-27-012-4971	Arka Silecek Kolu	Rear Wiper Arm	1	ADET
11	71A00-75026-AA	2540-27-006-5001	Silecek Silgisi	Wiper Blade	1	ADET



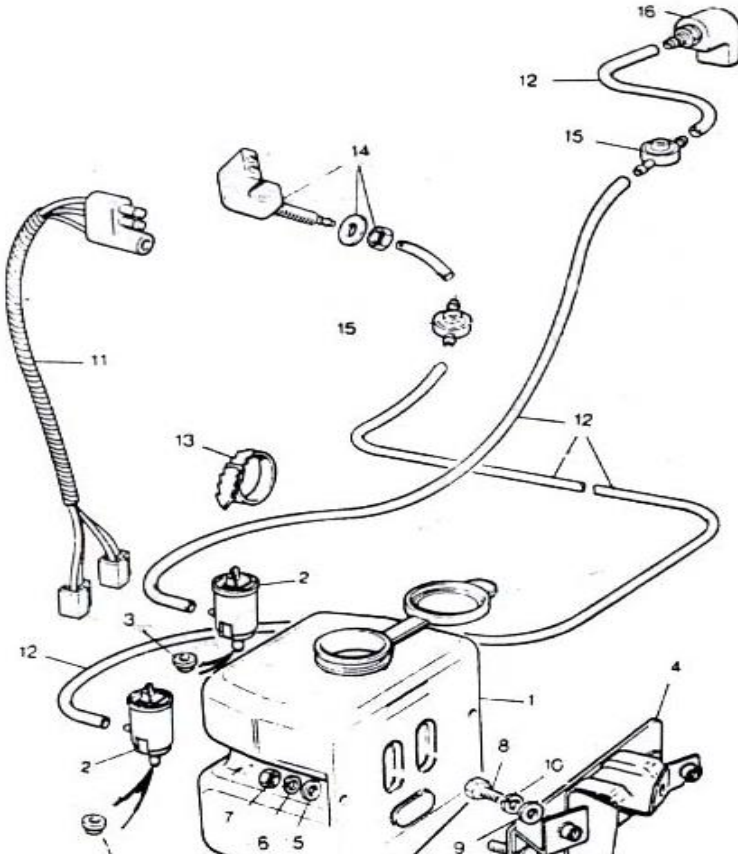
NOT1:Şasi No JA910750'ya kadar.  
 NOT2:Şasi No JA910751'den itibaren.  
 NOT3:Şasi No EA314267'ye kadar.  
 NOT4:Şasi No EA314267'den JA910750'ye kadar.

### LAND ROVER 110 YEDEK PARÇALARI

11-47

### ELEKTRİK-ELECTRICAL

### ÖN VE ARKA CAM YIKAMA (STATION WAGON) WINDSCREEN AND REAR SCREEN WASH (STATION



RES. NO	PARÇA NO	NATO STOK NO	MALZEMENİN ADI	MALZEMENİN YABANCI ADI	KOMP. Mik.	DAĞ. Birimi
1	PRC5747		Cam Yıkama Kabı	Screen wash Bottle	1	ADET
	PRC5747-LM		Cam Yıkama Kabı	Screen wash Bottle	1	ADET
	PRC8664	5340-99-875-9992	Su Deposu	Cap Reservoir	1	ADET
2	ADU3905	2540-99-761-5389	Cam Yıkama Pompası	Screen wash Pump	2	ADET
	ADU3905-LM	2540-99-761-5389	Cam Yıkama Pompası	Screen wash Pump	2	ADET
3	RTC3959	5325-99-761-5391	Gromet-Pompadan Şişeye	Grommet-Pump to Bottle	2	ADET
	RTC3959-LM	5325-99-761-5391	Gromet-Pompadan Şişeye	Grommet-Pump to Bottle	2	ADET
4	PRC5742	2590-99-052-0696	Bağlantı Braketi	Mounting Bracket	1	ADET
	PRC5742-LM	2590-99-052-0696	Bağlantı Braketi	Mounting Bracket	1	ADET
5	71A00-80318-AA	5310-27-006-2946	Pul	Plain Washer	2	ADET
6	11000-80301-AA	5310-27-006-2927	Rondela	Spring Washer	2	ADET
7	71A00-80201-AA	5310-27-006-2772	Somun	Nut (NH106041)	2	ADET
8	11000-80006-AA	5305-99-122-5359	Civata	Screw (SH106121)	1	ADET
9	11000-80351-AA	5310-27-006-2934	Pul	Plain Washer	1	ADET
10	11000-80301-AA	5310-27-006-2927	Rondela	Spring Washer	1	ADET
11	PRC5738-LD		Kablo Komple	Cable Assy-Main Cable to Pump	1	ADET
12	PRC5750-L		Cam Yıkama Hortumu	Tubing	1	ADET
13	240429	5340-99-820-5371	Kelepçe	Cable Cleat	3	ADET
14	PRC5736-LD	2540-99-255-1139	Cam Yıkama Jeti-Ön	Screen wash Jet-Front	1	ADET
15	ACU5037-LD		Tek Yönlü Valf-Ön Cam Yıkama	Valve-Non Return-Wind screen Wash	1	ADET
16	PRC5802-LD	2540-99-255-1140	Cam Yıkama Jeti-Arka	Screen washJet-Rear	1	ADET
17	NN106021	5310-99-138-4838	Dübel Somun	Nut Anchor	2	ADET

NOT1:Şasi No 8FF403049'a kadar.  
 NOT2:Şasi No 8FF403050'den sonra.  
 NOT3:Gerektiği kadar.  
 NOT4:Şasi No HA455596'dan itibaren.

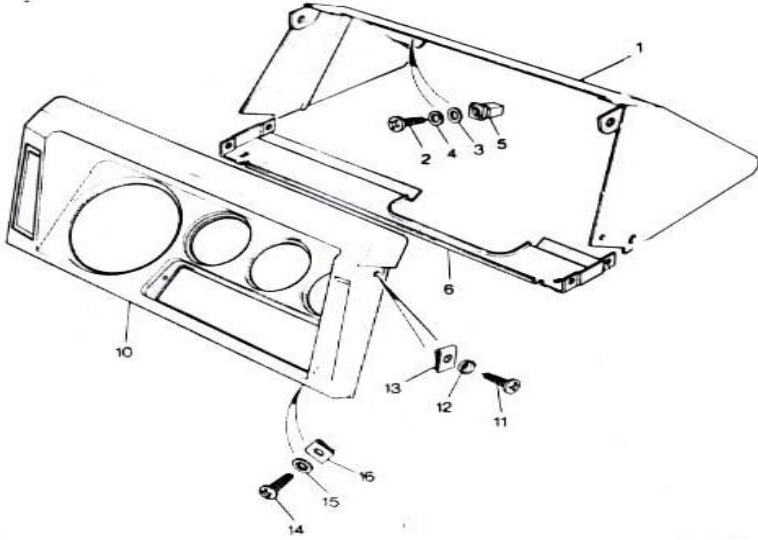
## LAND ROVER 110 YEDEK PARÇALARI

11-48

## ELEKTRİK-ELECTRICAL

### GÖSTERGE PANELİ VE KOVANI

RES. NO	PARÇA NO	NATO STOK NO	MALZEMENİN ADI	MALZEMENİN YABANCI ADI	KOMP. MİK.	DAĞ. BİRİMİ
1	MTC2808	2590-99-788-8158	Gösterge Panel Kovanı	Cowl-Instrument Panel	1	ADET
2	71A00-81319-AA	5305-99-788-7580	Vida	Screw(AZ610081)	5	ADET
3	AFU1248-LD	5310-99-788-7397	Pul	Plain Washer	5	ADET
4	11000-80300-AA	5310-27-006-2926	Rondela	Spring Washer	5	ADET
	WF702108	5310-99-495-6412	Kilitli Pul	Lock Washer	5	ADET
5	CZA4705	2590-99-321-5616	Dübel Somun	Lokut Nut	5	ADET
6	MUC7599	2510-99-477-6016	Alt Takviye Sacı	Base Stiffener-Panel Cowl	1	ADET
	AAM222		Tapa	Plug-Switch Aperture	1	ADET
10	MTC5459	2540-99-788-8234	Gösterge Paneli	Instrument Panel	1	ADET
11	71A00-81323-AA	5305-99-788-7270	Vida	Drive Screw(AD606044)	2	ADET
12	WK606214L	5310-99-840-0483	Tırtıllı Pul	Shakeproof Washer	2	ADET
13	71A00-880454		Yaylı Somun	Spring Nut	2	ADET
	MWC9322	5310-99-702-3243	Yaylı Somun	Spring Nut	2	ADET
14	71A00-81315-AA	5305-99-788-7256	Vida	Drive Screw(AB606044)	2	ADET
15	WF704064	5310-99-573-7699	Tırtıllı Pul	Shakeproof Washer	2	ADET
16	71A00-80454-AA		Yaylı Somun	Spring Nut	2	ADET
	MWC9322	5310-99-702-3243	Yaylı Somun	Spring Nut	2	ADET



NOT1:Şasi No 330644'e kadar.  
NOT2:Şasi No 330645'ten itibaren.

## LAND ROVER 110 YEDEK PARÇALARI

11-49

## ELEKTRİK-ELECTRICAL

### ELEKTRİK-GÖSTERGELER

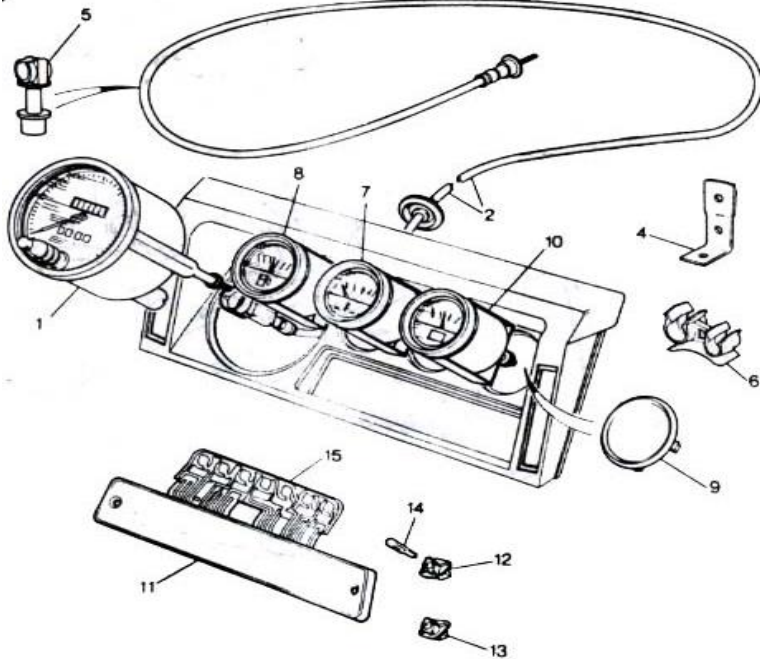
RES. NO	PARÇA NO	NATO STOK NO	MALZEMENİN ADI	MALZEMENİN YABANCI ADI	KOMP. MİK.	DAG. BİRİMİ
1	PRC4429-LD	6680-99-797-3889	Km.Saati-KPH (Odometresiz)	Speedometer-KPH (WithoutOdometer)	1	ADET
	PRC7374	6680-99-797-3889	Km.Saati-KPH(Odometreli)	Speedometer-KPH (WithOdometer)	1	ADET
2	71A00-23002-AA		Km.Teli	SpeedometerCable	1	ADET
4	PRC3833-L		Braket Km.Teli	Bracket-SpeedometerCable	1	ADET
5	PRC3180	5340-99-254-7591	Kelepce-Km.Teli	Clip-SpeedometerCable	2	ADET
6	PRC3025	5340-99-254-7590	Çiftli Klip	DoubleClip	2	ADET
7	PRC7311-LD	6685-99-062-5754	Su Hararet Göstergesi	WaterTemperatureGauge	1	ADET
	AMR2070		Su Hararet Göstergesi	WaterTemperatureGauge	1	ADET
	AMR2631	6685-99-360-4483	Su Hararet Göstergesi	WaterTemperatureGauge	1	ADET
8	PRC7313-L	6680-99-641-7689	Yakıt Gostergesi	FuellIndicator	1	ADET
9	MRC8225	5340-99-788-8122	Tapa-Saat	BlankingPlug-ClockAperature	1	ADET
10	PRC7315-L	6625-99-797-3897	Akü Şarj Güstergesi	BatteryConditionIndicator	1	ADET
11	PRC8879	2590-99-361-7378	İKAZ LAMBALARI LEVHALARI (12V)	WARNING LAMPMODULE (12V)	1	ADET
	AMR2628	2590-99-660-9154	İKAZ LAMBALARI LEVHALARI(12V)	WARNING LAMPMODULE (12V)	1	ADET
12	AEU2722	6250-99-797-3848	Duy	Bulbholder	13	ADET
13	AEU2723	6250-99-797-3849	Duy	Bulbholder	1	ADET
14	RTC3635	6240-12-171-6626	Ampul-12V	Bulb-12V	13	ADET
15	AEU2721	5999-99-797-3850	Baski Devre	PrintedCircuit	1	ADET
	WE104001	5310-66-128-5172	Tırtıllı Pul	WasherShakeproof	2	ADET
	71A00-80228-AA	5310-99-122-6456	Somun	Nut(NH104041)	2	ADET

NOT1:Şasi No JA916595'e kadar.  
NOT2:Şasi No JA916596'dan KA928139'a kadar.  
NOT3:Şasi No KA928140'tan itibaren.  
NOT4:Askeri araçlarda aksesuar sacı üzerindedir.  
NOT5:Şasi No KA929566'ya kadar.  
NOT6:Şasi No KA929567'den itibaren.

## LAND ROVER 110 YEDEK PARÇALARI

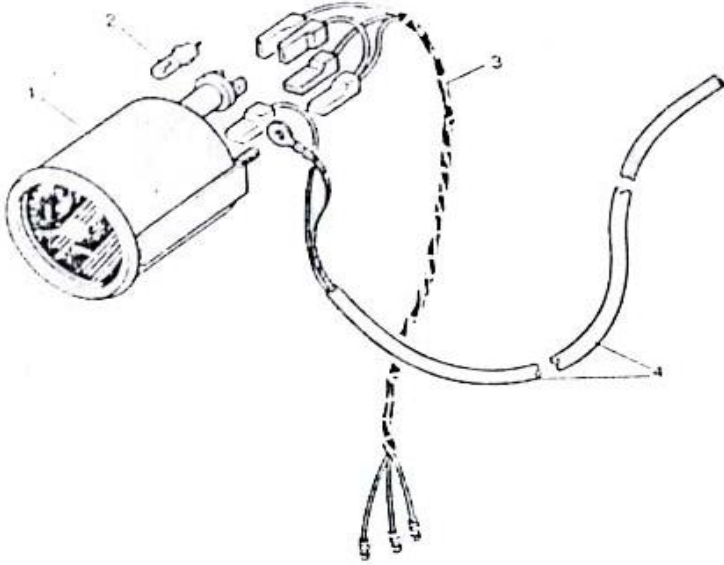
11-50

## ELEKTRİK-ELECTRICAL



## DEVİR SAATİ

RES. NO	PARÇA NO	NATO STOK NO	MALZEMENİN ADI	MALZEMENİN YABANCI ADI	KOMP. MİK.	DAG. BİRİMİ
1	RRC5231		Devir Saati	Tachometer	1	ADET
2	RRC5376		Yeşil Filt.Devir Saati Lamb.	Green Filt. Rev. Count. Illumint.	1	ADET
3	PRC6664-LD	5995-27-006-2864	Kablo	Cable	1	ADET
4	RRC5251-LD		Uc-Alt.den Devir Saatine Bağl.	Lead-Alternator to Rev. Count.	1	ADET



NOT:Sadece Askeri Araçlarda.

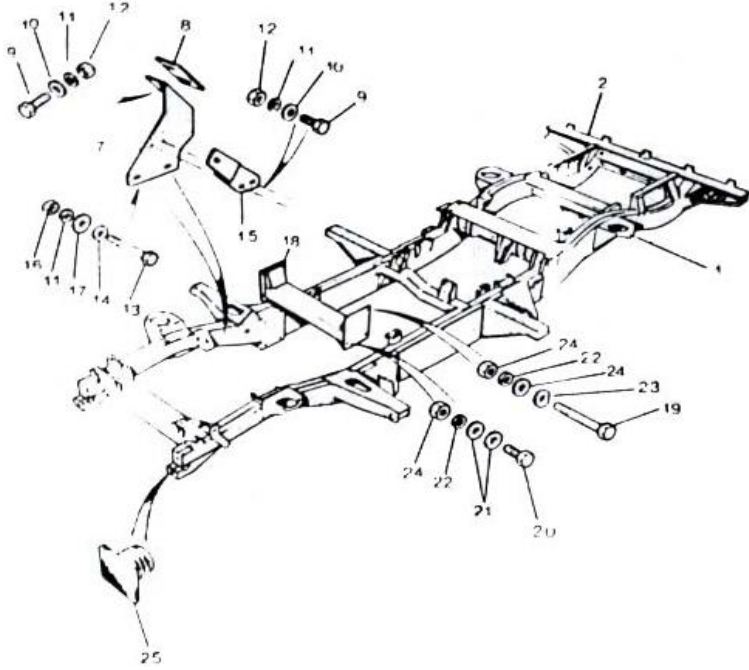
## LAND ROVER 110 YEDEK PARÇALARI

12-1

## ŞAŞİ VE GÖVDE-CHASSIS AND BODY

## ŞAŞİ

RES. NO	PARÇA NO	NATO STOK NO	MALZEMENİN ADI	MALZEMENİN YABANCI ADI	KOMP. MİK.	DAG. BİRİMİ
1	NTC2766-LD		Şasi Çerçeve	ChassisFrame	1	ADET



2	NTC1725-LD	2510-99-752-6938	ArkaTravers	RearCrossmember	1	ADET
7	NTC3680-L		AyaklıkDayaması-Sağ	ToeBoxSupport-RH	1	ADET
	NTC3679-L		AyaklıkDayaması-Sol	ToeBoxSupport-LH	1	ADET
8	NRC7131-LD	5365-99-254-7505	Ara Parça	Packing Piece-ToeBox	6	ADET
9	AFU1499	5305-99-788-7401	Civata	Screw	4	ADET
10	11000-80354-AA	5310-27-006-2935	Pul	Plain Washer	16	ADET
11	11000-80302-AA	5310-27-006-2928	Rondela	Spring Washer	8	ADET
12	71A00-80203-AA	5310-27-006-2774	Somun	Nut(NH108041)	8	ADET
13	11000-80029-AA	5306-27-006-2682	Civata	Bolt(BH108201)	4	ADET
14	71A00-80323-AA	5310-99-138-7965	Pul	Plain Washer	4	ADET
15	NRC7164-L	5340-99-254-7508	KöprüSacı-Sol	BridgePlate-LH	1	ADET
	NRC7165-L	5340-99-254-7509	KöprüSacı-Sağ	BridgePlate-RH	1	ADET
16	71A00-80203-AA	5310-27-006-2774	Somun	Nut(NH108041)	4	ADET
17	3898	5310-99-136-5496	Pul	Plain Washer	4	ADET
18	NRC7768-L	2510-99-752-6937	SökülebilirTravers-BoruProfil	DetachableCrossmember-Tubular	1	ADET
	NTC1963-LD	2510-99-776-9053	SökülebilirTravers-BoruProfil	DetachableCrossmember-Tubular	1	ADET
19	71A00-80048-AA	5306-27-006-2692	Civata	Bolt(BH110201)	4	ADET
20	11000-80034-AA	5306-27-006-2708	Civata	Screw(SH110251)	4	ADET
21	71A00-80326-AA	5310-27-006-2950	Pul	Plain Washer(WC110061)	12	ADET
22	11000-80303-AA	5310-27-006-2929	Rondela	Spring Washer(WL110001)	8	ADET
23	NRC5485-L	5310-99-720-8101	D'Pul	D'Washer	4	ADET
24	12B07-80207-AA	5310-27-006-2770	Somun	Nut(NH110041)	8	ADET
25	NRC6935-L	5325-99-720-8103	Gromet-KrikolamaBraketi	Grommet-JackingBracket	2	ADET

NOT1:Şasi No 346788'e kadar.  
NOT2:Şasi No 346789'dan itibaren.

## LAND ROVER 110 YEDEK PARÇALARI

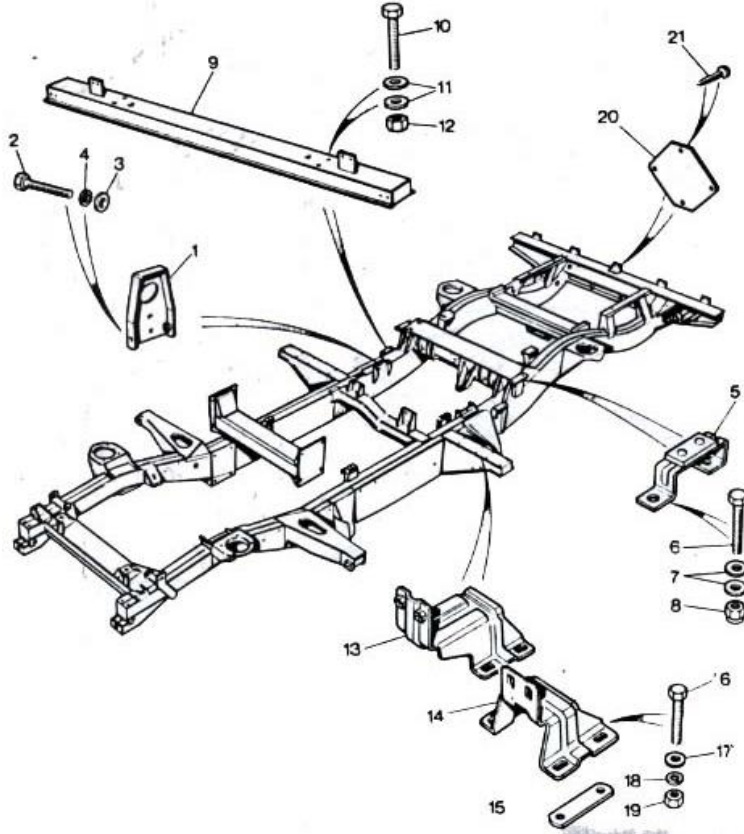
12-2

## ŞASI VE GÖVDE-CHASSIS AND BODY

### ŞASI CHASSIS-CONTINUED

RES. NO	PARÇA NO	NATO STOK NO	MALZEMENİN ADI	MALZEMENİN YABANCI ADI	KOMP. MİK.	DAĞ. BİRİMİ
1	NRC4661-L	5340-99-573-1938	1.TavanTaşıyıcıDestekBrkt.	No.1BodyFloorSuppt.Brkt	2	ADET
2	11000-80008-AA	5306-27-006-2700	Civata	Screw(SH106201)	6	ADET
3	11000-80351-AA	5310-27-006-2934	Pul	Plain Washer	6	ADET
4	11000-80301-AA	5310-27-006-2927	Rondela	Spring Washer	6	ADET
5	NRC5478-LD	2510-99-254-7485	2.TabanTaşıyıcıDestekBrkt.	No.2BodyFloorSuppt.Brkt	2	ADET





6	11000-80017-AA	5306-27-006-2704	Civata	Screw(SH108251)	4	ADET
7	11000-80354-AA	5310-27-006-2935	Pul	Plain Washer	4	ADET
8	14C01-80243-AA	5310-27-006-2761	FiberliSomun	NylocNut(NY108041)	4	ADET
9	NRC4171-LD	2510-99-794-3502	Travers-GövdeBagl.	Crossmember-BodyMounting	1	ADET
10	SH108701L	5305-99-630-0095	Civata	Bolt	4	ADET
11	11000-80324-AA	5310-27-006-2935	Pul	Plain Washer	8	ADET
12	14C01-80243-AA	5310-27-006-2761	FiberliSomun	NylocNut(NY108041)	4	ADET
13	NRC7053-LD	2510-99-254-7504	GövdeBağl.Brkt.	BodyMountingBracket	4	ADET
14	NRC5665-L	2510-99-254-7490	GövdeBağl.Brkt.	BodyMountingBracket	4	ADET
	NRC7053-L	2510-99-254-7504	GövdeBağl.Brkt.	BodyMountingBracket	2	ADET
	NRC6951-LD	5340-99-156-3637	GövdeBağlantıBraketi	BodyMountingBracket	2	ADET
15	NRC4693-L	5365-99-254-7479	Sac	SpreaderPlate	8	ADET
16	11000-80008-AA	5306-27-006-2700	Civata	Screw(SH106201)	16	ADET
17	71A00-80318-AA	5310-27-006-2946	Pul	Plain Washer	16	ADET
18	11000-80301-AA	5310-27-006-2927	Rondela	Spring Washer	16	ADET
19	71A00-80201-AA	5310-27-006-2772	Somun	Nut(NH106041)	16	ADET

NOT1:Pikaplar için  
 NOT2:Station Vagon'lar için.  
 NOT3:Şasi Cab'ler için.

## LAND ROVER 110 YEDEK PARÇALARI

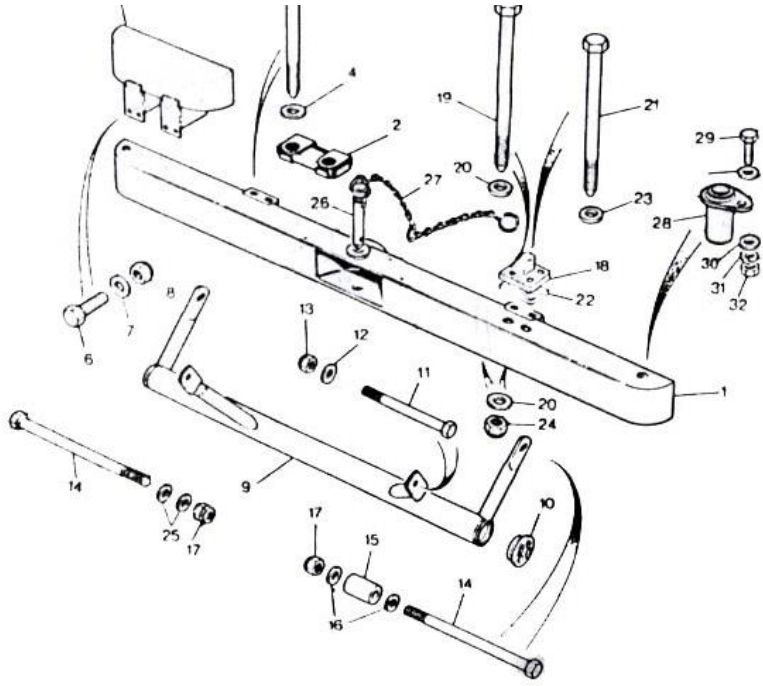
12-3

## ŞAŞI VE GÖVDE-CHASSIS AND BODY

### ÖN TAMPON

RES. NO	PARÇA NO	NATO STOK NO	MALZEMENİN ADI	MALZEMENİN YABANCI ADI	KOMP. MİK.	DAĞ. BİRİMİ
1	NRC9211-LD	2540-99-720-8104	ÖnTampon	FrontBumper	1	ADET
	NTC4657-LD		ÖnTampon	FrontBumper	1	ADET
	RRC3508-LM	2540-99-739-7188	ÖnTampon-ÇekiDemirli	FrontBumperWithTowing Jaw	1	ADET
2	NRC6994-LD	2540-99-726-8568	SomunluSacKomple	TappingBlockAssembly	2	ADET
3	AFU1386	5306-99-776-9055	Civata	Bolt	4	ADET
	NTC5401	5305-99-902-3281	Civata	Bolt	4	ADET
4	11000-80361-AA	5310-99-122-6476	Pul	Plain Washer	4	ADET
5	NRC4733-LD	2540-99-254-7480	ÖnTampon	Bumperette-Front	2	ADET
6	11000-80034-AA	5306-27-006-2708	Civata	Screw(SH110251)	16	ADET





7	71A00-80327-AA	5310-99-122-6476	Pul	Plain Washer	16	ADET
8	12B00-80224-AA	5310-27-006-2760	FiberliSomun	NylocNut(NY110041)	16	ADET
9	NRC7009-LD	2540-99-254-7503	ÖnTabanKorumaÇubuğu	Under-RiderProtectionBar	1	ADET
10	NRC5886-LM	5340-99-254-7492	KörletmeTapası	BlankingPlug	2	ADET
11	11000-80049-AA	5306-27-006-2684	Civata	Bolt(BH110241)	4	ADET
12	71A00-80327-AA	5310-99-122-6476	Pul	Plain Washer	2	ADET
13	12B00-80224-AA	5310-27-006-2760	FiberliSomun	NutNyloc(NY110041)	2	ADET
	71A10-78048-AA	2510-27-006-3100	Somunlusac	PlatewihtNut	2	ADET
14	253952	5306-99-941-8136	Civata	Bolt	2	ADET
15	NRC5627-L	5365-99-254-7489	Ara Parça	Spacer	1	ADET
16	71A00-80328-AA	5310-27-006-2951	Pul	Plain Washer(WC112081)	2	ADET
	2222	5310-99-325-2076	Pul	Plain Washer	2	ADET
17	252164	5310-99-943-4300	Fiberli Somun	NylocNut	2	ADET
18	NRC9011-LD	2540-99-740-0879	Kaldırma Mapası	Lifting&TowingRing	2	ADET
19	11000-80040-AA		Civata	Bolt	4	ADET

NOT1:1988 Model Yılı -Şasi No 314292- araçlara kadar.  
 NOT2:1988 Model Yılı -Şasi No 314293-araçlardan itibaren  
 NOT3:Askeri araçlar için.  
 NOT4:Şasi No 341314'e kadar.  
 NOT5:Şasi NO 341315'ten itibaren  
 NOT6:Opsiyonel  
 NOT7:Haziran 1992'ye kadar.  
 NOT8:Haziran 1992'den itibaren.

## LAND ROVER 110 YEDEK PARÇALARI

12-4

## ŞAŞİ VE GÖVDE-CHASSIS AND BODY

### ÖN TAMPON

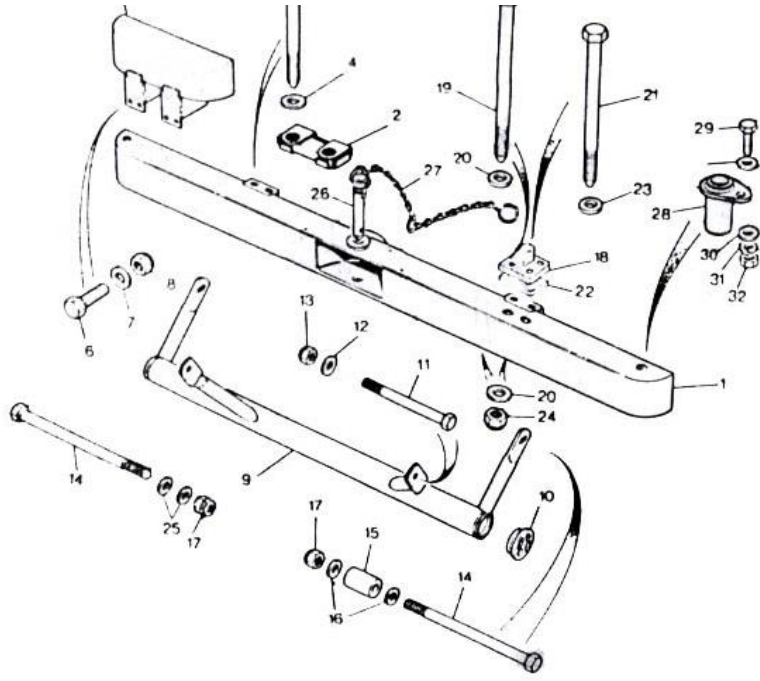
RES. NO	PARÇA NO	NATO STOK NO	MALZEMENİN ADI	MALZEMENİN YABANCI ADI	KOMP. MİK.	DAG. BİRİMİ
20	71A00-80361-AA	5310-27-006-2943	Pul	Plain Washer	8	ADET
	71A10-80303-AA	5310-27-006-2931	Yaylı Rondela	Spring Washer	4	ADET
21	NTC5401	5305-99-902-3281	Civata	Bolt	4	ADET
22	71A10-78059-AA	5365-27-006-2812	Ara Parça	Spacer	2	ADET
23	WA110065	5310-99-984-7098	Pul	Plain Washer	4	ADET
24	12B00-80224-AA	5310-27-006-2760	FiberliSomun	NylocNut(NY110041)	4	ADET
25	71A00-80340-AA	5310-27-006-2958	Pul	Plain Washer(2205)	2	ADET
26	RRC2671-LD	2540-99-739-7171	PimKomple-ÇekiDemiri	PinAssy-TowingJaw	1	ADET
27	RRC2821-LD	2540-99-739-7172	ZincirKomple	ChainAssy	1	ADET
28	RRC2094-LD	2540-99-740-0878	BayrakTutucuKomple	AssyFlugHolder	2	ADET
29	11000-80008-AA	5306-27-006-2700	Civata	Screw(SH106201)	2	ADET
30	11000-80351-AA	5310-27-006-2934	Pul	Plain Washer	4	ADET
31	11000-80301-AA	5310-27-006-2927	Rondela	Spring Washer	2	ADET

5

3



32	11000-80201-AA	5310-27-006-2768	Somun	Nut	2	ADET
----	----------------	------------------	-------	-----	---	------



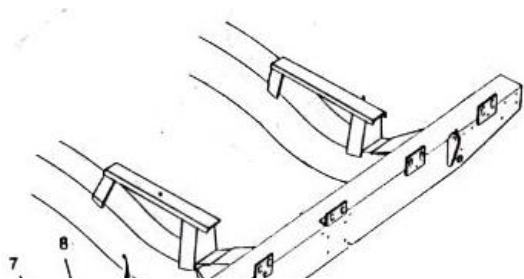
### LAND ROVER 110 YEDEK PARÇALARI

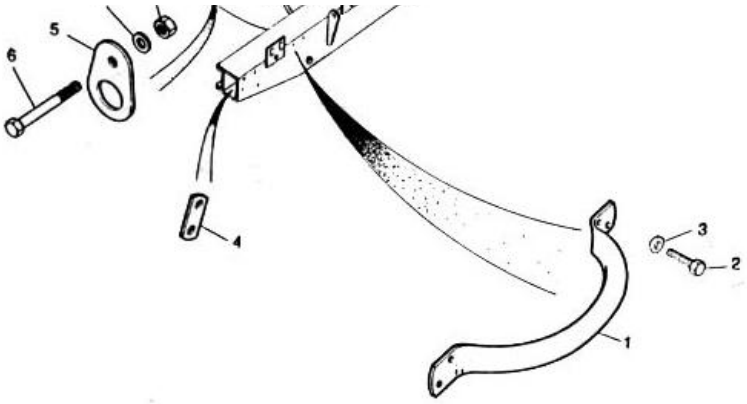
12-5

### ŞASI VE GÖVDE-CHASSIS AND BODY

#### KALDIRMA TUTAMAĞI LIFTING HANDLE

RES. NO	PARÇA NO	NATO STOK NO	MALZEMENİN ADI	MALZEMENİN YABANCI ADI	KOMP. MİK.	DAG. BİRİMİ
1	NTC5116-LD	5340-99-215-8466	Kaldırma Tutamağı	Lifting Handle-Black	2	ADET
2	11000-80014-AA	5306-27-006-2702	Civata	Screw(SH108161)	8	ADET
3	11000-80324-AA	5310-27-006-2935	Pul	Plain Washer	8	ADET
4	NRC5804-L	5310-99-720-8109	Somunlu Sac	Nut Plate	4	ADET
5	577509-L	2540-99-720-8110	Kaldırma Halkası	Recovery and Lashing Ring	4	ADET
6	11000-80049-AA	5306-27-006-2684	Civata-Ön	Bolt-Front(BH110241)	2	ADET
	14A00-80011-AA	5306-27-006-2688	Civata-Arka	Bolt-Rear(BH110221)	2	ADET
7	71A00-80338-AA	5310-27-006-2957	Pul	Plain Washer(217245)	4	ADET
8	12B00-80224-AA	5310-27-006-2760	Fiberli Somun	Nyloc Nut(NY110041)	4	ADET





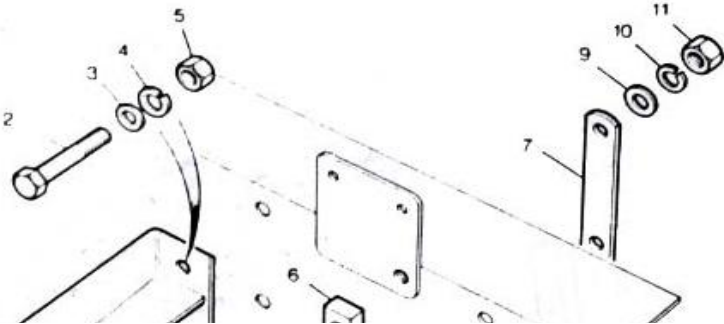
## LAND ROVER 110 YEDEK PARÇALARI

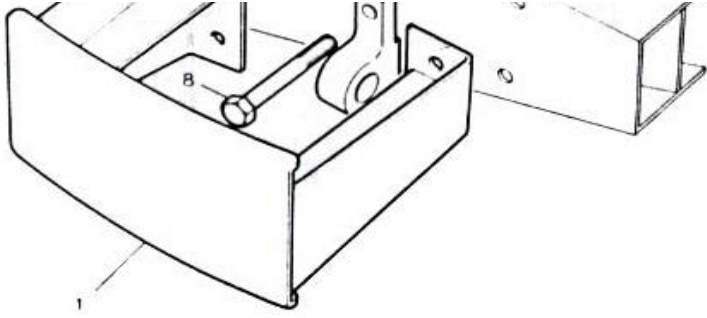
12-6

## ŞAŞI VE GÖVDE-CHASSIS AND BODY

### ARKA KÜÇÜK TAMPONLAR VE KALDIRMA MAPALARI REAR BUMPERETTES AND LIFTING RINGS

RES. NO	PARÇA NO	NATO STOK NO	MALZEMENİN ADI	MALZEMENİN YABANCI ADI	KOMP. MİK.	DAG. BİRİMİ
1	NRC4708-LD	2540-99-730-8905	KüçükTampon-Sağ	Bumperette-RH	1	ADET
	RRC5410-L	2540-99-617-9794	KüçükTampon-Sağ	Bumperette-RH	1	ADET
	NRC4709-LD	2540-99-730-8906	KüçükTampon-Sol	Bumperette-LH	1	ADET
	RRC5409-L	2540-99-864-6393	KüçükTampon-Sol	Bumperette-LH	1	ADET
2	11000-80045-AA	5306-27-006-0142	Cıvata	Bolt(BH110141)	8	ADET
3	71A00-80327-AA	5310-99-122-6476	Pul	Plain Washer	8	ADET
4	11000-80303-AA	5310-27-006-2929	Rondela	Spring Washer	8	ADET
5	12B00-80224-AA	5310-27-006-2760	FiberliSomun	NylocNut(NY110041)	8	ADET
6	NRC4853-LM	2540-99-780-8674	KaldırmaMapası	LiftingRing	2	ADET
7	NRC4854-LD	2510-99-573-5860	TakviyeSacı	BackingPlate(NRC4854)	2	ADET
8	BH110181L	5306-99-122-2782	Cıvata	Bolt	4	ADET
9	71A00-80327-AA	5310-99-122-6476	Pul	Plain Washer	4	ADET
10	11000-80303-AA	5310-27-006-2929	Rondela	Spring Washer	4	ADET
11	12B00-80224-AA	5310-27-006-2760	FiberliSomun	Nyloc Nut (NY110041)	4	ADET





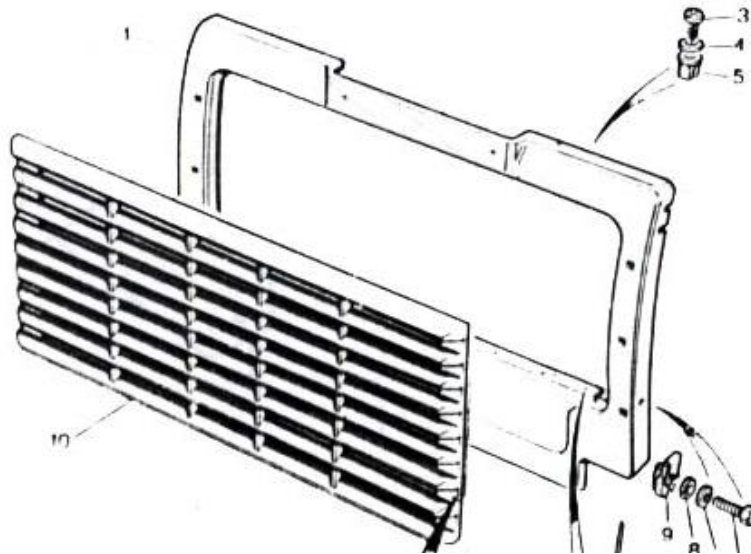
NOT:Sadece askeri araçlar için.  
NOT1:Şubat 1992'ye kadar.  
NOT2:Şubat 1992'den itibaren.

## LAND ROVER 110 YEDEK PARÇALARI

12-7

## ŞAŞİ VE GÖVDE-CHASSIS AND BODY

### RADYATÖR GRİLİ



RES. NO	PARÇA NO	NATO STOK NO	MALZEMENİN ADI	MALZEMENİN YABANCI ADI	KOMP. MİK.	DAĞ. BİRİMİ
1	MWC2926	2510-99-734-5480	RadyatörGrilÇerçevesi	RadiatorGrillePanel	1	ADET
3	71A00-81337-AA	5306-27-006-2743	SacVidası	DriveScrew(AB606057)	4	ADET
4	71A00-80314-AA	5310-27-006-2945	Pul	Plain Washer	4	ADET
5	79013	5310-99-137-6356	DübelSomun	LokutNut	4	ADET
6	11000-80017-AA	5306-27-006-2707	Civata	Screw (SH108201)	2	ADET
7	11000-80302-AA	5310-27-006-2928	Rondela	Spring Washer	2	ADET
8	71A00-80324-AA	5310-99-122-6475	Pul	Plain Washer	2	ADET
9	NJ108061L	5310-99-741-7927	SomunTutucu	NutRetainer	2	ADET
10	MWC8466PUC	2510-99-282-0677	RadyatörGrili	RadiatorGrille-Black	1	ADET
11	71A00-81354-AA		SacVidası	Screw	8	ADET
12	71A00-80321-AA	5310-27-006-2941	Pul	Plain Washer	8	ADET
13	CZK3164	5310-99-776-9666	DübelSomun	LokutNut	8	ADET
14	MTC6827-L	5340-99-788-8257	BağlantıBraketi	MountingBracket	2	ADET
15	RA610253	5320-99-845-0240	Perçin	Rivet	2	ADET

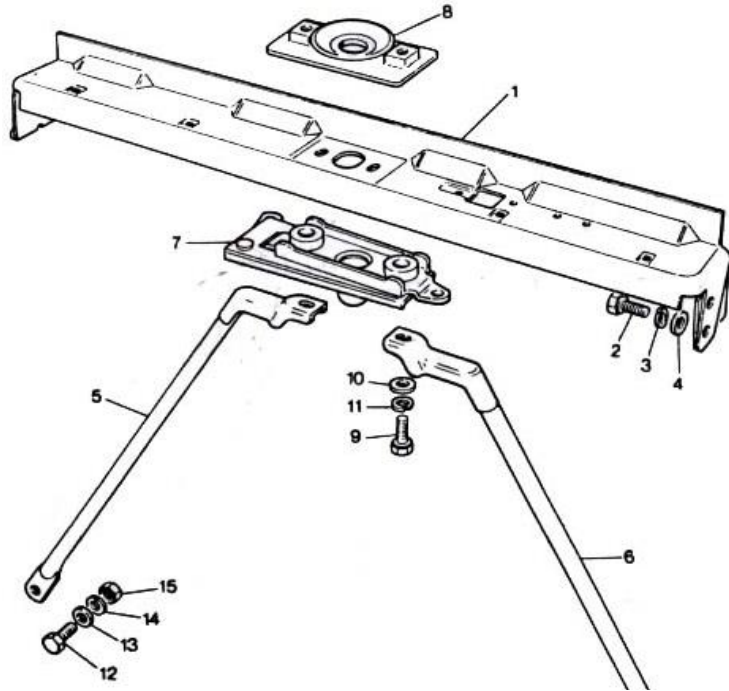


## LAND ROVER 110 YEDEK PARÇALARI

12-8

## ŞAŞİ VE GÖVDE-CHASSIS AND BODY

### GRİL ÜST PANELİ



RES. NO	PARÇA NO	NATO STOK NO	MALZEMENİN ADI	MALZEMENİN YABANCI ADI	KOMP. MİK.	DAG. BİRİMİ
1	MUC4806	2510-99-125-8754	GrilÜstPaneli	GrilleTopPanel	1	ADET
	MXC7732		GrilÜstPaneli	GrilleTopPanel	1	ADET
2	11000-80016-AA	5306-27-006-2703	Civata	Screw (SH108201)	4	ADET
	11000-80017-AA	5306-27-006-2704	Civata	Screw(SH108251)	4	ADET
3	11000-80302-AA	5310-27-006-2928	Rondela	Spring Washer	4	ADET
4	71A00-80324-AA	5310-99-122-6475	Pul	Plain Washer	4	ADET
5	MUC6658-L	2590-99-386-7225	GermeBorusuSağ	CrossBraceTubeRH	1	ADET
6	MUC6659-L	2590-99-313-4025	GermeBorusuSol	CrossBraceTubeLH	1	ADET
7	ALR2385	2590-99-701-6862	KaputMandalı	BonnetCatch	1	ADET
	STC925	2590-99-853-3425	KaputMandalı	BonnetCatch	1	ADET
8	MUC4804-LD	5310-99-780-2232	BaskıSacı	WasherPlate	1	ADET
9	11000-80010-AA	5306-27-006-2705	Civata	Screw(SH106301)	2	ADET
10	MRC5525-LD	5310-99-754-3600	Pul	Plain Washer	2	ADET
	11000-80351-AA	5310-27-006-2934	Pul	Plain Washer	2	ADET
11	11000-80301-AA	5310-27-006-2927	Rondela	Spring Washer	2	ADET
12	11000-80016-AA	5306-27-006-2703	Civata	Screw (SH108201)	2	ADET
13	11000-80324-AA	5310-27-006-2935	Pul	Plain Washer	2	ADET
14	11000-80302-AA	5310-27-006-2928	Rondela	Spring Washer	2	ADET
15	71A00-80203-AA	5310-27-006-2774	Somun	Nut(NH108041)	2	ADET



NOT1:Şasi No FA436664'e kadar.  
NOT2:Şasi No FA436665'den itibaren.  
NOT3:Şasi No KA929746'ya kadar.  
NOT4:Şasi No KA929747'den itibaren.

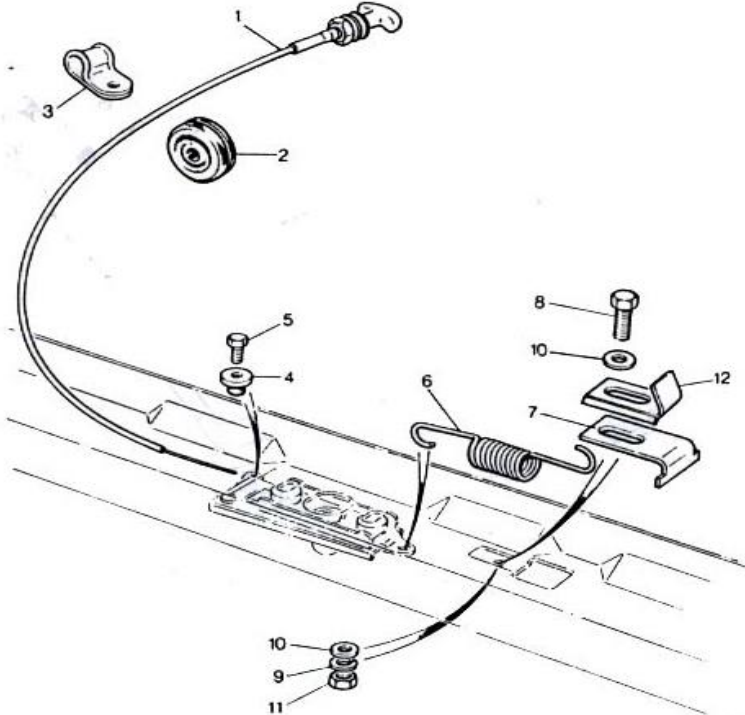
## LAND ROVER 110 YEDEK PARÇALARI

12-9

## ŞASI VE GÖVDE-CHASSIS AND BODY

### KAPUT AÇMA BONNET RELEASE

RES. NO	PARÇA NO	NATO STOK NO	MALZEMENİN ADI	MALZEMENİN YABANCI ADI	KOMP. MİK.	DAG. BİRİMİ
1	MXC7354-LD	2540-99-782-3285	Kaput Açma Teli	Bonnet Release Cable	1	ADET
2	27H5311-LD	5325-99-804-8119	Gromet	Grommet (233244)	2	ADET
3	3887-LD		Kelepçe-Süspansiyon Kapağına	Clip-Suspension Cover	1	ADET
	MWC9380	5340-66-128-5372	Kelepçe-Süspansiyon Kapağına	Clip-Suspension Cover	1	ADET
	13H489L	5340-99-827-2588	Kelepçe-Grilin Üstüne	Clip-GrilleTopPanel	1	ADET
4	356225-L	2590-99-825-6034	Tutucu Kafa	Retainer	1	ADET
	ALR4127-L		Tutucu Kafa	Retainer	1	ADET
5	257194	5305-99-138-0316	Civata	Bolt	1	ADET
	STC926	2510-99-392-9594	Kaput Açma Teli Takımı	KitBonnetCatchRetainer	1	TAKIM
6	351991-L	5360-99-825-6033	Yay	Spring	1	ADET
7	393218-L	2540-66-128-4791	Ayar Sacı	AdjustingPlate	1	ADET
8	11000-80007-AA	5306-27-006-2699	Civata	Screw(SH106161)	1	ADET
9	11000-80301-AA	5310-27-006-2927	Rondela	Spring Washer	1	ADET
10	11000-80351-AA	5310-27-006-2934	Pul	Plain Washer	1	ADET
11	71A00-80201-AA	5310-27-006-2772	Somun	Nut(NH106041)	1	ADET
12	MWC3339	2590-99-591-3274	Mandal Sacı	CatchPlate	1	ADET



NOT1:Şasi No 344774'e kadar

NOT1:Şasi No 344771 e kadar.  
 NOT2:Şasi No 344772'den itibaren.  
 NOT3:Şasi No KA929745'e kadar.  
 NOT4:Şasi No KA929746'dan itibaren.  
 NOT5:Şasi No 321774'ten itibaren.

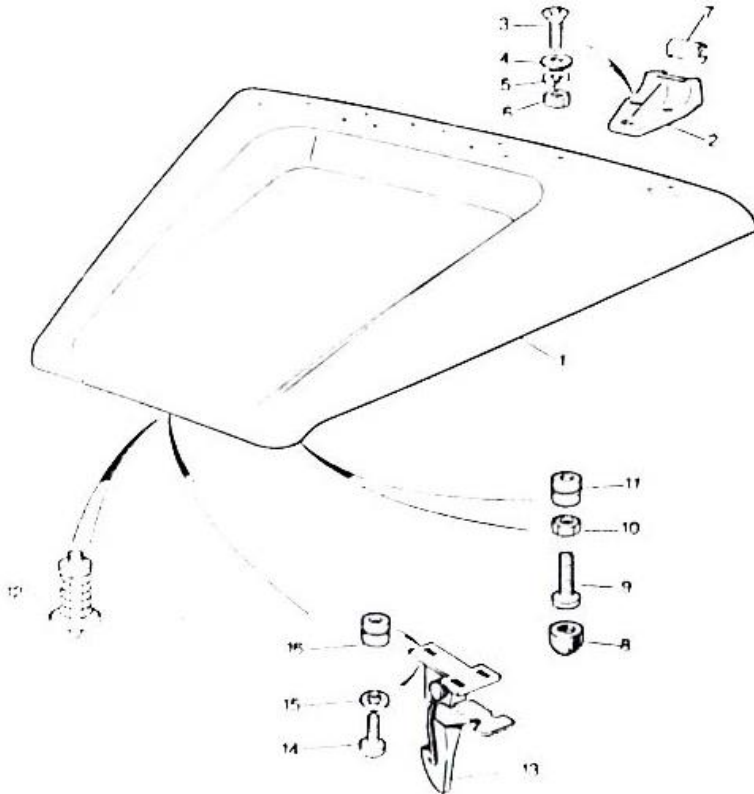
## LAND ROVER 110 YEDEK PARÇALARI

12-10

## ŞAŞİ VE GÖVDE-CHASSIS AND BODY

### KAPUT

RES. NO	PARÇA NO	NATO STOK NO	MALZEMENİN ADI	MALZEMENİN YABANCI ADI	KOMP. MİK.	DAĞ. BİRİMİ
1	RTC6213	2510-99-721-4376	Kaput	Bonnet	1	ADET
2	MRC9244-LD	2510-99-796-6161	Menteşe	Hinge	2	ADET
3	11000-80071-AA	5306-27-006-2719	Civata	Screw(SF106161)	6	ADET
4	MR5525-LD		Pul	Plain Washer	6	ADET
5	11000-80301-AA	5310-27-006-2927	Rondela	Spring Washer	6	ADET
6	71A00-80201-AA	5310-27-006-2772	Somun	Nut(NH106041)	6	ADET
7	346849-L	2540-99-824-3038	Burc	Bush	2	ADET
8	391287-L	5340-99-825-6031	CivataTakoza	Buffer-BonnetStop	4	ADET
9	71A00-81331-AA	5305-27-006-2732	Civata	Screw(SE108404)	4	ADET
10	71A00-80204-AA	5310-27-006-2775	Somun	Nut(NH108044)	4	ADET
11	NN108021	5310-66-128-4925	DübelSomunu	Nutsert	4	ADET
12	MWC9361-LD	2540-66-128-5450	KaputKılavuzPimi	StrikerPin	1	ADET
13	MUC6457	2590-99-310-8710	EmniyetÇengeli	SafetyHook	1	ADET
14	11003-80076-AA	5305-99-122-6643	Civata	Screw(SE106161)	3	ADET
15	WF106001L	5310-99-495-6411	TırtıllıPul	ShakeproofWasher	3	ADET
16	NN106021	5310-99-138-4838	Dübel	Nutsert	3	ADET



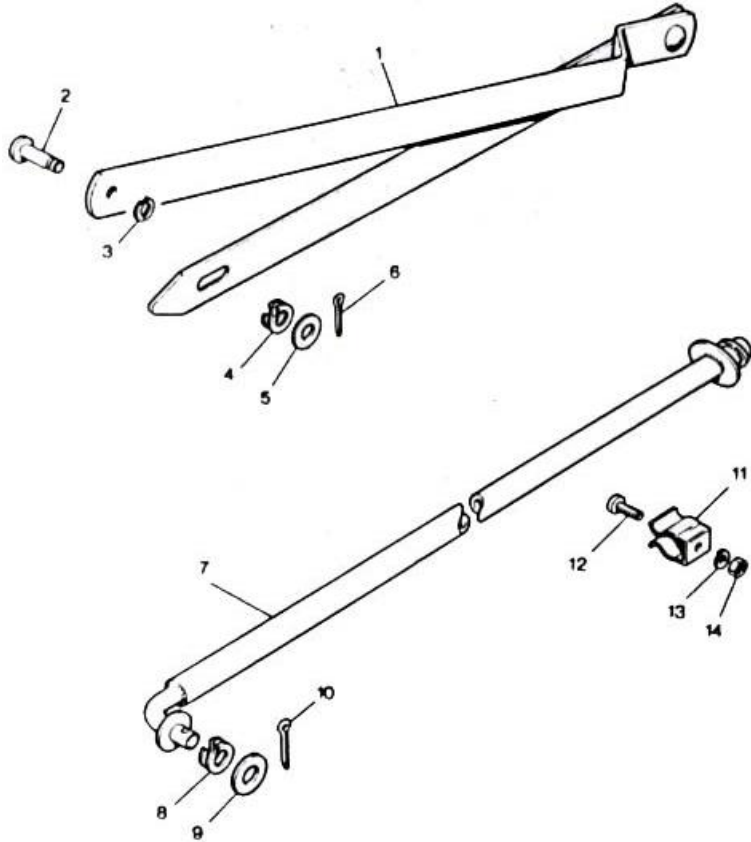


LAND ROVER 110 YEDEK PARÇALARI

12-11

ŞAŞİ VE GÖVDE-CHASSIS AND BODY

KAPUT DAYAMASI



RES. NO	PARÇA NO	NATO STOK NO	MALZEMENİN ADI	MALZEMENİN YABANCI ADI	KOMP. MİK.	DAĞ. BİRİMİ
1	MUC4208-L	2540-99-740-0795	Kaput Dayaması Komple	Bonnet Prop Link Assembly	1	ADET
2	336535-L	5315-99-137-6355	Kaput Dayama Pimi	Pivot Pin Propto Bonnet	1	ADET
3	71A00-80512-AA	2540-99-721-4380	Segman	RetainerClip(ADU3430)	1	ADET
4	WS108001L	5310-99-135-9324	Rondela	Spring Washer	1	ADET
5	71A00-80348-AA		Pul	Plain Washer	1	ADET
6	71A00-80436-AA	5315-99-131-0292	Kopilya	Split Pin (PS104127)	1	ADET
7	MTC2220-LD	2540-99-793-9155	Kaput Dayaması	Bonnet Prop	1	ADET
8	WS600061	5310-99-941-6629	Rondela	Spring Washer	1	ADET
9	71A00-80327-AA	5310-99-122-6476	Pul	Plain Washer	1	ADET
10	PS106161	5315-99-138-2208	Kopilya	Split Pin	1	ADET
11	MRC7623-L	5340-99-796-8998	Kelepçe	Clip Prop Stowage	1	ADET
	71A00-57400-AA	5325-27-006-2876	Tutucu-KaputKolu	Retainer	1	ADET
12	71A00-81353-AA	5305-99-135-0422	Civata	Screw(SP104101)	1	ADET
	12A14-80175-AA		Civata	Screw	1	ADET
13	14C01-80311-AA		Rondela	Spring Washer	1	ADET
	11000-80350-AA	5310-27-006-2933	Pul	Plain Washer	1	ADET
14	71A00-80228-AA	5310-99-122-6456	Somun	Nut(NH104041)	1	ADET
	71A10-80208-AA		Somun	Nut	1	ADET

NOT1:Haziran 1992'ye kadar.  
NOT2:Haziran 1992'den itibaren.

KAPUT ÜSTÜ STEPNE TAŞIYICI  
SPARE WHEEL CARRIER ON BONNET

RES. NO	PARÇA NO	NATO STOK NO	MALZEMENİN ADI	MALZEMENİN YABANCI ADI	KOMP. MİK.	DAG. BİRİMİ
1	MUC2443	5340-99-198-4654	Sac	Plate	1	ADET
2	RA612183	5320-99-250-8191	Perçin	Rivet	11	ADET
3	MUC6418	2510-99-588-0729	Takviye Kanalı-Sağ	Reinforcement Channel-RH	1	ADET
	MUC6419	2510-99-870-0280	Takviye Kanalı-Sol	Reinforcement Channel-LH	1	ADET
4	RA612183	5320-99-250-8191	Perçin	Rivet	10	ADET
5	MRC4619	2510-99-796-6141	Takoz	Buffer	4	ADET
6	WB108051L	5310-99-122-3034	Pul	Plain Washer	4	ADET
7	14C01-80243-AA	5310-27-006-2761	Fiberli Somun	Nyloc Nut (NY108041)	4	ADET
8	MUC2442-LD	2540-99-776-9670	Kelepçe Sacı	Clamping Plate	1	ADET
9	71A10-80074-AA	5306-27-006-2717	Civata	Screw (SH105161)	3	ADET
10	71A10-80315-AA	5310-99-122-3032	Pul	Plain Washer	6	ADET
11	11000-80300-AA	5310-27-006-2926	Rondela	Spring Washer	3	ADET
12	71A00-80200-AA	5310-27-006-2771	Somun	Nut (NH105041)	3	ADET
13	MUC2440-L	2540-99-776-9671	StepneTutucu	Retainer for Spare Wheel	1	ADET
14	MRC4473	5305-99-796-6140	Civata	Screw	2	ADET
	MRC4474		Civata	Screw	1	ADET
15	BTR549	5307-99-151-2745	Civata	Screw	1	ADET
16	WD112081L	5310-99-955-8470	Pul	Plain Washer	2	ADET

NOT1:1991 Model Yılına kadar geçerlidir.  
NOT2:1991 Model Yılından itibaren geçerlidir.

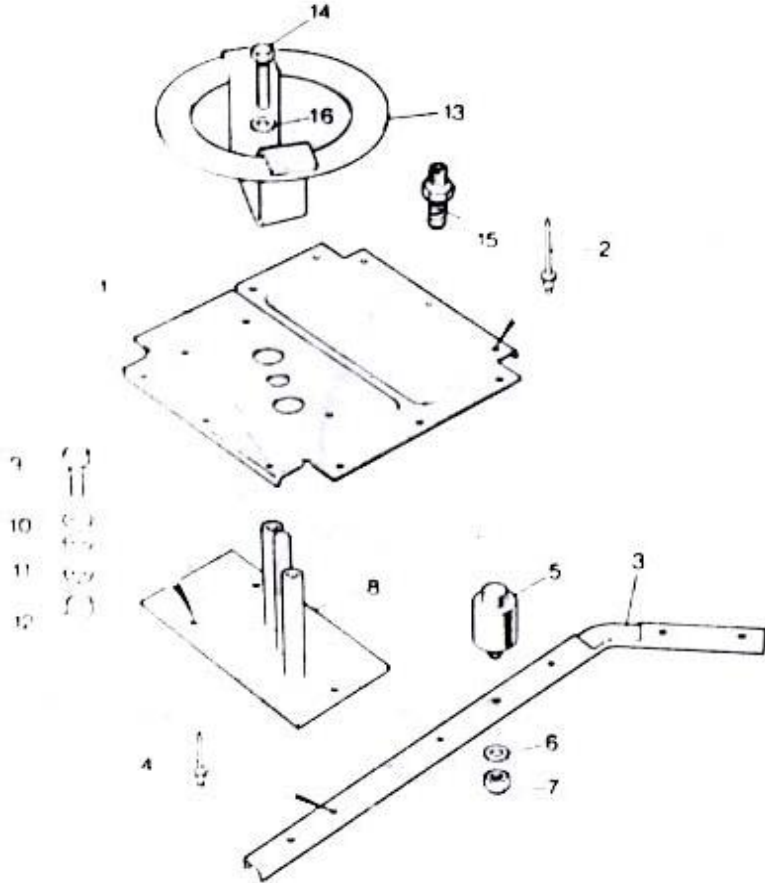
## LAND ROVER 110 YEDEK PARÇALARI

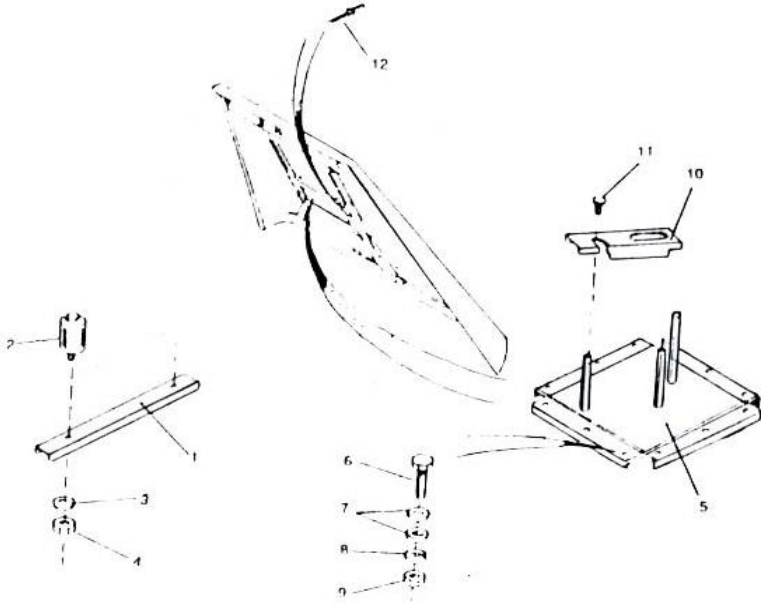
12-13

## ŞAŞI VE GÖVDE-CHASSIS AND BODY

KAPUT ÜSTÜ STEPNE TAŞIYICI(ALTERNATİF)  
SPARE WHEEL CARRIER ON

RES. NO	PARÇA NO	NATO STOK NO	MALZEMENİN ADI	MALZEMENİN YABANCI ADI	KOMP. MİK.	DAG. BİRİMİ
1	71A30-30330-AA		Takviye Braketi	Support Bracket	2	ADET

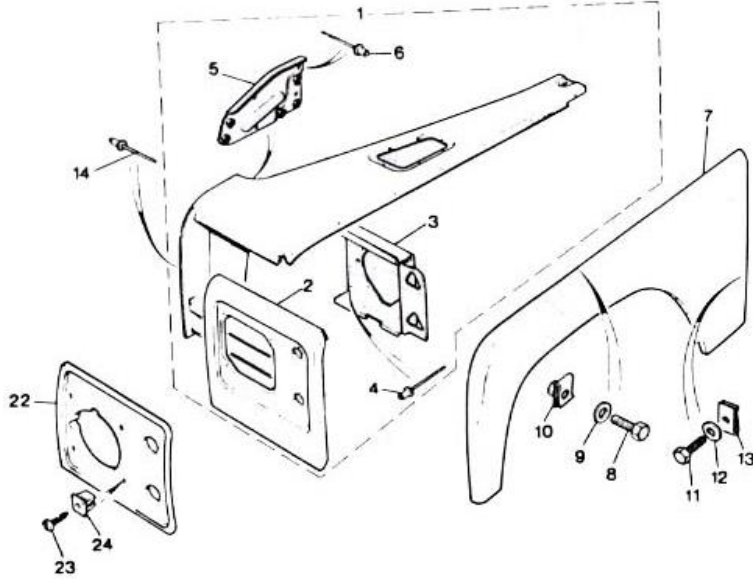


**BONNET(ALTERNATIVE)**

2	MRC4619-L	2510-99-796-6141	Takoz	Buffer	4	ADET
3	11000-80354-AA	5310-27-006-2935	Pul	Washer	4	ADET
4	14C01-80243-AA	5310-27-006-2761	Fiberli Somun	Nyloc Nut (NY108041)	4	ADET
5	71A30-30332-AA		Stepne Taşıyıcı	Spare Wheel Carrier	1	ADET
6	71A10-80074-AA	5306-27-006-2717	Civata	Screw (SH105161)	12	ADET
7	11000-80350-AA	5310-27-006-2933	Pul	Plain Washer	24	ADET
8	11000-80300-AA	5310-27-006-2926	Rondela	Spring Washer	12	ADET
9	11000-80200-AA	5310-99-122-5294	Somun	Nut (NH105041)	12	ADET
10	71A30-30331-AA		Stepne Sıkıştırma Parçası	Bracket	1	ADET
11	MRC4473-L	5305-99-796-6140	Civata	Bolt	2	ADET
12	RA612237	5320-99-581-6699	Perçin	Rivet	23	ADET

**LAND ROVER 110 YEDEK PARÇALARI****12-14****ŞASI VE GÖVDE-CHASSIS AND BODY****ÖN ÇAMURLUKLAR**

RES. NO	PARÇA NO	NATO STOK NO	MALZEMENİN ADI	MALZEMENİN YABANCI ADI	KOMP. MİK.	DAĞ. BİRİMİ
1	MXC9343	2510-99-139-7047	Ön çamurluk komple sağ	Front Wingspotweld-RH	1	ADET
	MXC9400	2510-99-721-4385	Ön çamurluk komple sol	Front Wingspotweld-LH	1	ADET
2	RTC6353	2510-99-721-4386	Far Yuvası Sağ	Nose Panel RH	1	ADET
	RTC6354	2510-99-770-7221	Far Yuvası Sol	Nose Panel LH	1	ADET
	AM604051L	5305-99-702-1699	Civata	Screw	6	ADET



	3900L	5310-99-849-8006	Pul	Plain Washer	6	ADET
	79246	5310-99-822-1324	Somun	SpireNut	6	ADET
3	MTC2062	2540-99-978-2265	Far Yuva Sacı Sağ	Head lamp Mounting Panel RH	1	ADET
	MTC2063	6220-99-978-2258	Far Yuva Sacı Sol	Head lamp Mounting Panel LH	1	ADET
4	78248	5320-99-970-3518	Perçin	Rivet	8	ADET
5	MRC6051	2510-99-788-8113	Bağlama Sacı Sağ	Tie Plate RH	1	ADET
	MRC6052	2510-99-788-8114	Bağlama Sacı Sol	Tie Plate LH	1	ADET
6	78248	5320-99-970-3518	Perçin	Rivet	8	ADET
7	RTC6351	2510-99-331-1051	Çamurluk Yüzü Sağ	Outer Panel-RH	1	ADET
	RTC6350	2510-99-084-4566	Çamurluk Yüzü Sol	OuterPanel-LH	1	ADET
8	AM604051L	5305-99-702-1699	Civata	Screw	22	ADET
9	3900L	5310-99-849-8006	Pul	Plain Washer	22	ADET
10	79246	5310-99-822-1324	Somun	Nut	20	ADET
	AH614011L	5310-99-670-3587	Yaylı Somun	Spring Nut	2	ADET
11	AM605061	5305-99-137-4325	Özel Civata	Acme Bolt	8	ADET
12	71A00-80323-AA	5310-99-138-7965	Pul	Plain Washer	8	ADET
13	78393-L	5310-99-802-9947	Özel Somun	Spire Nut	8	ADET
14	RU612373L	5320-99-120-9002	Perçin	Rivet	8	ADET
22	MTC7769-LM	2540-99-729-2979	Far Muhafazası Sol	Headlamp Finisher LH	1	ADET
	MTC7770-LM	2540-99-721-4389	Far Muhafazası Sağ	Headlamp Finisher RH	1	ADET
23	79307-L	5305-99-951-1478	Sac Vidası	Drive Screw	12	ADET
	71A00-81343-AA	5305-99-977-3255	Sac Vidası	Drive Screw(AB608044)	8	ADET
24	79051	5310-99-138-0422	Dübel Somun	Expansion Nut	16	ADET

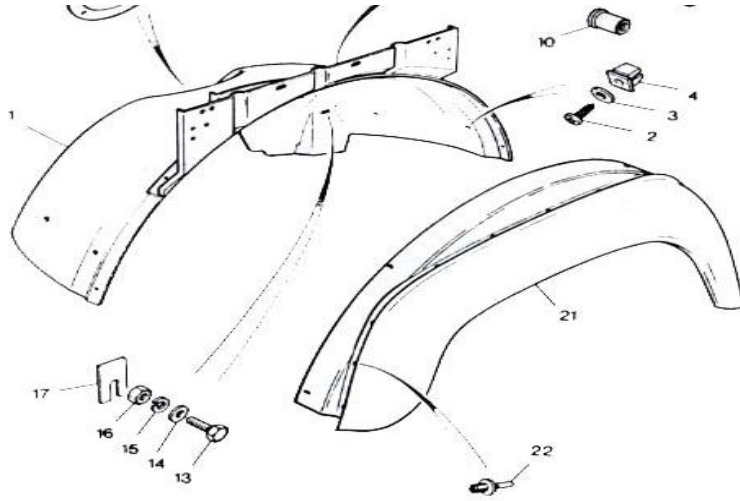
NOT1:Eylül 1993'e kadar.

## LAND ROVER 110 YEDEK PARÇALARI

### ÖN ÇAMURLUKLAR



12-15		ŞAŞI VE GÖVDE-CHASSIS AND BODY				
RES. NO	PARÇA NO	NATO STOK NO	MALZEMENİN ADI	MALZEMENİN YABANCI ADI	KOMP. MİK.	DAĞ. BİRİMİ
1	ALR2261	2510-99-978-2325	İç Çamurluk Sağ	Wheelarch RH	1	ADET
	ALR2262	2510-99-605-6755	İç Çamurluk Sol	Wheelarch LH	1	ADET
2	71A00-81352-AA	5306-27-006-2752	Sac Vidası	Drive screw	8	ADET
3	71A00-80357-AA	5310-27-006-2966	Pul	Plain Washer	8	ADET
4	RTC3744	5310-99-137-6550	Dübel Somun	Lokut Nut	5	ADET
5	MRC9734-LD	2510-99-788-8136	Dayama Sol	Stay LH	1	ADET
6	11000-80007-AA	5306-27-006-2699	Civata	Screw (SH106161)	4	ADET
7	11000-80351-AA	5310-27-006-2934	Pul	Plain Washer	4	ADET
8	11000-80301-AA	5310-27-006-2927	Rondela	Spring Washer	4	ADET
10	NN106021	5310-99-138-4838	Tespit Somunu	Blind Anchor Nut	2	ADET
11	MRC9520	2590-99-780-7424	Kapak Ön Yay	Cover-Front Suspension	2	ADET



12	71A00-81355-AA	5306-27-006-2753	Sac Vidası	Drive Screw(AR608021)	11	ADET
	71A00-81342-AA	5306-27-006-2747	Sac Vidası	Drive Screw(AR608031)	1	ADET
13	11000-80017-AA	5306-27-006-2704	Civata	Screw(SH108251)	8	ADET
	71A00-80103-AA	5306-27-006-2715	Civata	Screw(SH108501)	4	ADET
14	AFU1079	5310-66-128-4937	Pul	Plain Washer	8	ADET
15	71A00-80316-AA	5310-99-941-6655	Rondela	Spring Washer	12	ADET
16	71A00-80203-AA	5310-27-006-2774	Somun	Nut (NH108041)	12	ADET
17	MRC4037-L	2510-99-796-6134	Sim	Shim	24	ADET
21	MRC9377	2510-99-457-3351	Çamurluk Kaşı Sol-Siyah Parlak	LH-Natural Black-Gloss	1	ADET
	MRC9378	2510-99-721-4393	Çamurluk Kaşı Sağ-Siyah Parlak	RH-Natural Black-Gloss	1	ADET
	RRC3043	2510-99-147-3454	Çamurluk Sol-Siyah Mat	LH-Natural Black-Matt	1	ADET
	RRC3044		Çamurluk Sol-Siyah	LH-Natural Black-Matt	1	ADET
22	AFU1075	5320-99-740-0798	Plastik Perçin	Plastic Rivet	32	ADET

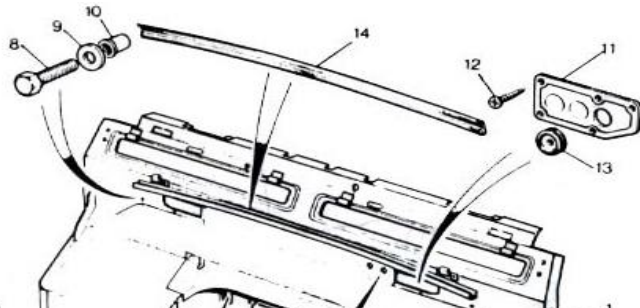
## LAND ROVER 110 YEDEK PARÇALARI

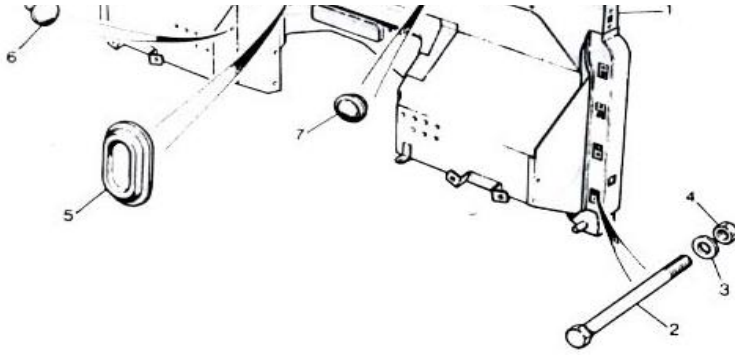
### GÖVDE-GÖĞÜS KOMPLE

12-16

## ŞAŞİ VE GÖVDE-CHASSIS AND BODY

RES. NO	PARÇA NO	NATO STOK NO	MALZEMENİN ADI	MALZEMENİN YABANCI ADI	KOMP. MİK.	DAG. BİRİMİ
1	MXC9011	2510-99-955-8891	Göğüs Komple		1	ADET
2	MRC9420	5306-99-788-8131	Civata M12x1800 mm	Bolt M12x1800 mm	2	ADET
3	71A00-80329-AA		Pul	Plain Washer	8	ADET
4	71A10-80212-AA	5310-27-006-2776	Somun	Nut (NH112041)	2	ADET
5	MTC1650-L	5340-99-774-6796	Tapa	Plug	2	ADET
6	338015	5340-99-805-4997	Tapa	Plug	1	ADET
7	332647-L	5340-99-850-1669	Takoz	Buffer	2	ADET
	MRC6270-L	5340-99-796-6152	Takoz	Buffer	2	ADET
8	SX108251	2590-99-215-9483	Civata	Bolt	4	ADET
9	71A00-80324-AA	5310-99-122-6475	Pul	Plain Washer	10	ADET
10	NN108021	5310-66-128-4925	Rondela	Plain Washer	2	ADET
11	PRC1333-LD	2540-99-829-7536	Gromet Sacı	Grommet Plate	2	ADET
12	14C01-81354-AA		Sac Vidası	Drive Screw (AB610051)	8	ADET
13	338023-L	5325-99-815-9851	Tapa	Plug	1	ADET
14	71A00-66216-AA		Ön Göğüs Lastiği	Seal (MWC2567)	1	ADET
	MUC6905		Sac	Plate-Stg. Cloumn Aperture	1	ADET





	RU608123L	5320-99-004-0323	Perçin	Rivet	3	ADET
	MWC2309		KörletmeTapası	Blanking Plug	2	ADET

NOT1:Ekim 1991'e kadar.  
NOT2:Ekim 1991'den itibaren

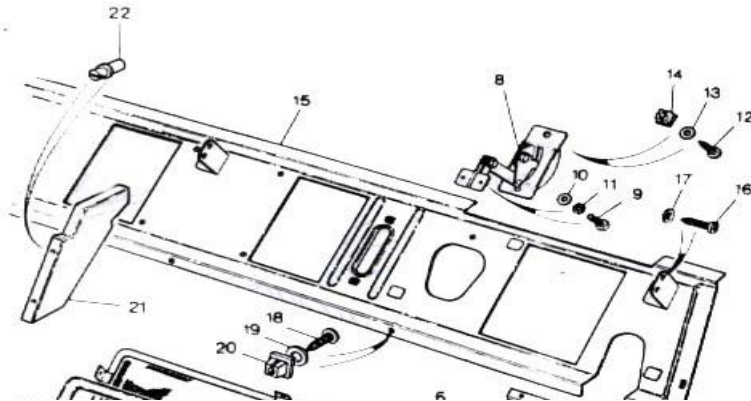
### LAND ROVER 110 YEDEK PARÇALARI

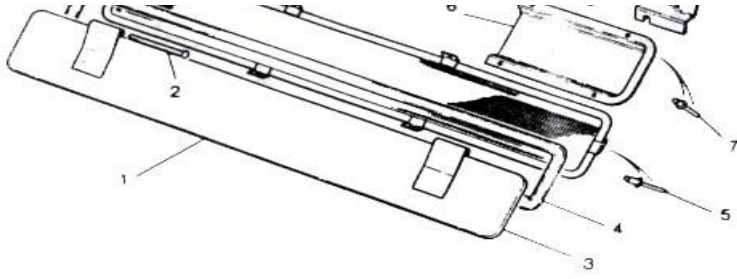
12-17

### ŞASI VE GÖVDE-CHASSIS AND BODY

### GÖVDE-GÖĞÜS HAVALANDIRMA BODY-DASH VENTILATOR

RES. NO	PARÇA NO	NATO STOK NO	MALZEMENİN ADI	MALZEMENİN YABANCI ADI	KOMP. MİK.	DAĞ. BİRİMİ
1	ALR1618	2540-99-326-5988	Havalandırma Kapağı Sağ	Ventilator Lid RH	1	ADET
	ALR1619	2540-99-573-7656	Havalandırma Kapağı Sol	Ventilator Lid LH	1	ADET
2	334121-L	5320-99-845-0181	Menteşe Pimi	Hinge Pin	4	ADET
3	MUC4299-LD	5330-99-825-5223	Sızdırmazlık Lastiği	Sealing Rubber	2	ADET
	ALR2220-LD	5330-99-063-0249	Sızdırmazlık Lastiği	Sealing Rubber	2	ADET
4	395185	2540-99-828-4094	Sineklik	Flyscreen	2	ADET
5	RA610123	5320-66-128-5337	Perçin	Rivet	12	ADET
6	MTC2799-L	2590-99-788-8157	Saptırma Sacı-Sol Kanat	Splash Panel-LH Vent	1	ADET
7	RA610123	5320-66-128-5337	Perçin	Rivet	4	ADET
8	346576	2510-99-824-3041	Havalandırma Kumandası	Ventilator Control	2	ADET
9	71A00-80001-AA	5306-27-006-2712	Civata	Screw (SH105121)	4	ADET
10	71A00-80310-AA	5310-27-006-2944	Pul	Plain Washer	4	ADET
11	11000-80300-AA	5310-27-006-2926	Rondela	Spring Washer	4	ADET
12	71A00-81341-AA	5306-27-006-2746	Sac Vidası	Drive Screw (AB608041)	4	ADET
13	71A00-80382-AA	5310-27-006-2969	Pul	Plain Washer (AFU1257)	4	ADET
14	RTC3745	5310-99-137-6356	Dübel Somun	Lokut Nut	4	ADET
15	MXC8573		Ön Sac	Front Plate	1	ADET
16	71A00-81341-AA	5306-27-006-2746	Sac Vidası	Drive Screw	6	ADET
17	71A00-80315-AA	5310-99-122-3032	Pul	Plain Washer	6	ADET
18	71A00-81344-AA	5305-99-829-4335	Sac Vidası	Drive Screw (AB608041)	5	ADET





19	71A00-80310-AA	5310-27-006-2944	Pul	Plain Washer	5	ADET
20	RTC3745	5310-99-137-6356	Dübel Somun	LokutNut	5	ADET
21	346941	2540-99-824-8606	Hava Akış Dağıtıcı Paneli	Air Flow Divider Panel	1	ADET
22	79106	5320-99-619-9368	Perçin	Rivet	2	ADET

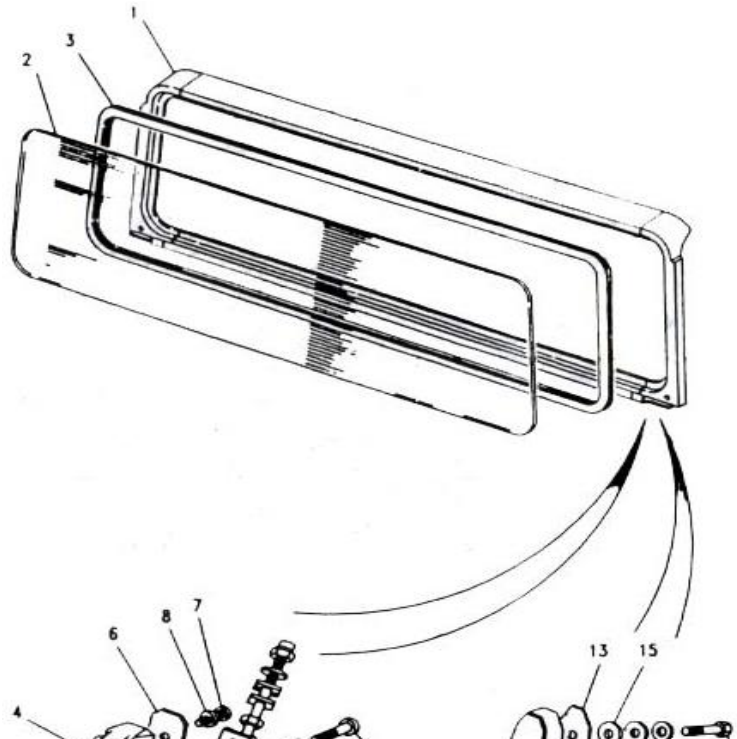
NOT1:Şasi No HA905231'e kadar.  
NOT2:Şasi No HA905232'den itibaren

## LAND ROVER 110 YEDEK PARÇALARI

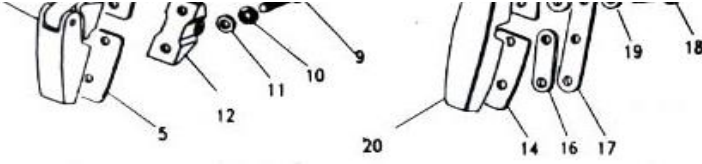
12-18

## ŞASI VE GÖVDE-CHASSIS AND BODY

### GÖVDE-ÖN CAM



RES. NO	PARÇA NO	NATO STOK NO	MALZEMENİN ADI	MALZEMENİN YABANCI ADI	KOMP. Mik.	DAĞ. BİRİMİ
1	MUC2594	2510-99-740-0893	Ön Cam Çerçevesi	Windscreen Frame	1	ADET
2	MTC2863-LD	2510-99-788-8163	Ön Cam	Windshield	1	ADET
3	MUC3733-LD	5330-99-740-0894	Cam Lastiği	Glazing Rubber	1	ADET
4	MUC7847		Menteşe-Sol	Hinge LH	1	ADET
	MXC7846	2510-99-356-4278	Menteşe-Sağ	Hinge RH	1	ADET
5	MXC9982	5330-99-126-0575	Conta	Gasket	2	ADET
6	MXC9983	5330-99-377-5153	Conta	Gasket	2	ADET
7	SE110401	5305-99-135-0464	Civata	Screw	2	ADET
8	MUC3906	5330-99-781-4199	Naylon Pul	Washer Nyloc	2	ADET
9	SS108404	5305-99-122-3389	Civata	Screw	4	ADET
10	WF108004	5310-66-128-4636	Tırtıllı Pul	Washer Shakeproof	4	ADET
11	71A00-80324-AA	5310-99-122-6475	Pul	Washer Plain	4	ADET
12	MTC4400-LD	2540-99-721-4435	Köşebent	Clamp	2	ADET
13	MXC9982	5330-99-126-0575	Alt Conta	Gasket Lower	2	ADET
14	MXC9983	5330-99-377-5153	Üst Conta	Gasket Upper	2	ADET
15	MUC7907	5310-99-001-6973	Üst Conta	Washer Packing	2	ADET
16	MUC4289	5365-99-973-3638	Conta-Göğüs-Ön Cam Arası	Packing Piece	2	ADET
17	MUC4290	5340-99-215-7409	Conta-Göğüs-Ön Cam Arası	Strap	2	ADET
18	FB108101	5306-99-386-7655	Civata	Bolt	6	ADET
19	71A00-80324-AA	5310-99-122-6475	Pul	Plain Washer	6	ADET
20	MUC7911	5340-99-001-6972	Ön Cam Braketi-Sağ	Bracket Windscreen-RH	1	ADET
	MUC7912	5340-99-810-5736	Ön Cam Braketi-Sol	Bracket Windscreen-LH	1	ADET



NOT1:Katlanır ön cam menteşeli araçlarda.  
 NOT2:Sabit ön cam menteşeli araçlarda.  
 NOT2:Şasi No HA905232'den itibaren

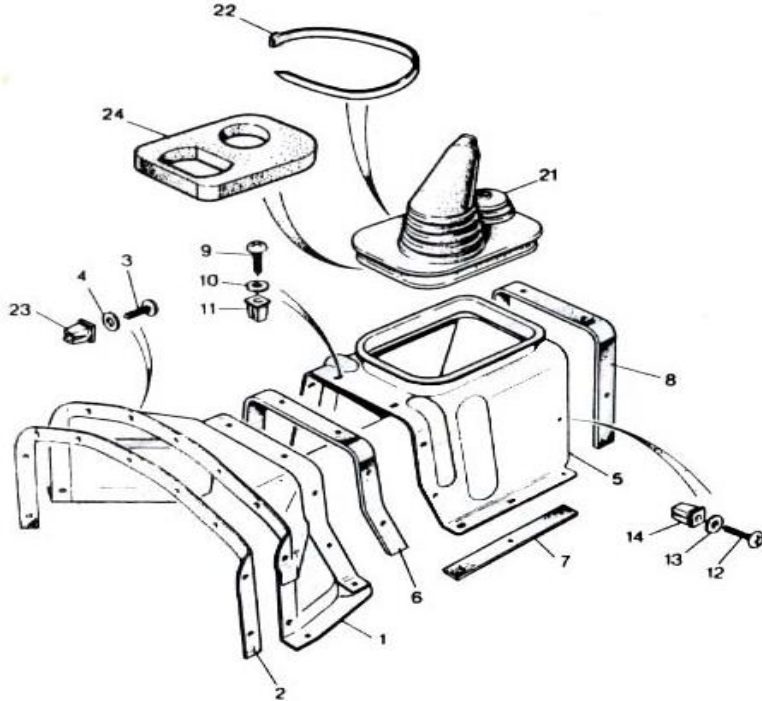
## LAND ROVER 110 YEDEK PARÇALARI

12-19

## ŞASI VE GÖVDE-CHASSIS AND BODY

### GÖVDE-ŞANZİMAN TÜNEL SAÇLARI BODY-DIAPHRAGM AND TUNNEL PANELS

RES. NO	PARÇA NO	NATO STOK NO	MALZEMENİN ADI	MALZEMENİN YABANCI ADI	KOMP. MİK.	DAG. BİRİMİ
1	MTC2252	2590-99-788-8150	Volan Muhafazası Sacı 4 Silindir	Diaphragm Panel-4Cyl	1	ADET
2	MRC8626	9330-99-721-4452	Conta	Seal	1	ADET
3	71A00-81352-AA	71A00-81352-AA	SacVidası	Drive Screw (AB614061)	9	ADET
4	MRC5527-LD	5310-99-977-1694	Pul	Plain Washer	9	ADET
5	MTC4095	2520-99-788-8175	Tünel Sacı-4 Silindir	Tunnel Panel-4 Cyl	1	ADET
6	MUC6120-L		Conta	Seal(M.159017)	1	ADET
7	MUC6122-L		Conta	Seal(M.159017)	2	ADET
8	MUC6121-L		Conta	Seal(M.159017)	1	ADET
9	71A00-81352-AA	5306-27-006-2752	SacVidası	DriveScrew(AB614061)	6	ADET
10	MRC5527-LD	5310-99-977-1694	Pul	Plain Washer	6	ADET
11	79023	5310-99-137-6543	Dübel Somun	Lokut Nut	6	ADET
12	71A00-81352-AA	5306-27-006-2752	SacVidası	Drive Screw(AB614061)	6	ADET
13	MRC5527-LD	5310-99-977-1694	Pul	Plain Washer	6	ADET
14	79023	5310-99-137-6543	Dübel Somun	Lokut Nut	6	ADET
21	MTC6391	2520-99-771-6972	Vites Kolu Körüğü	Gaiter-GearLever	1	ADET
22	AFU4173	5340-99-728-1611	Şerit Kelepçe	CableTie	1	ADET
23	79023	5310-99-137-6543	Dübel Somun	Lokut Nut	9	ADET
24	MTC6872-LD	2540-99-721-7184	İzolasyon Sünger	Insulation Pad	1	ADET





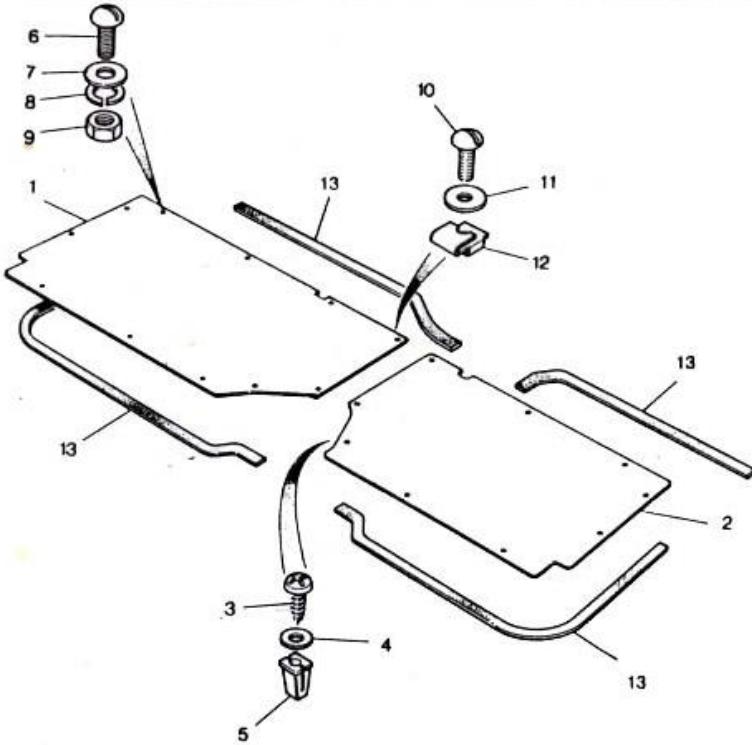
LAND ROVER 110 YEDEK PARÇALARI

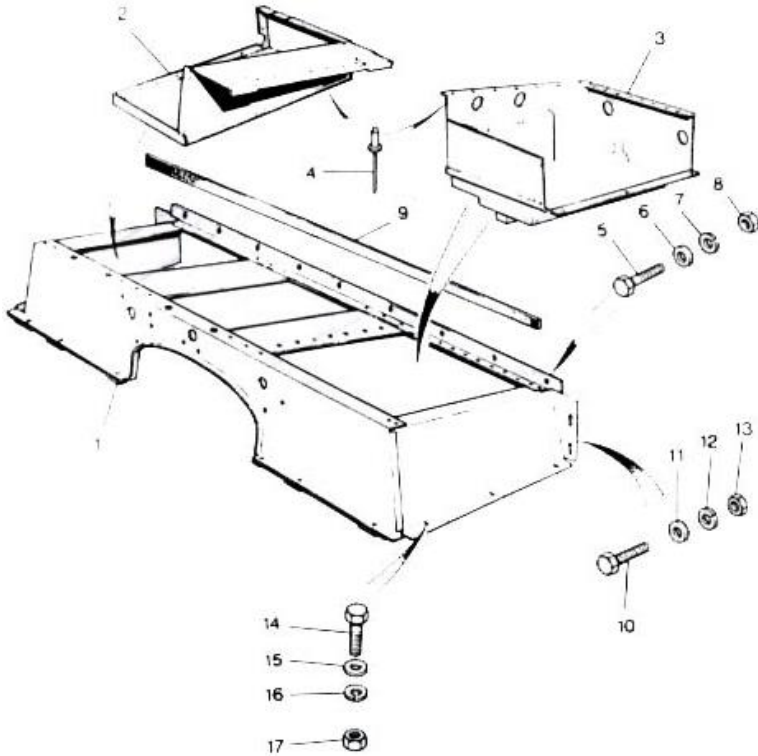
12-20

ŞAŞİ VE GÖVDE-CHASSIS AND BODY

GÖVDE-TABAN SAÇLARI  
BODY-FLOOR PLATES

RES. NO	PARÇA NO	NATO STOK NO	MALZEMENİN ADI	MALZEMENİN YABANCI ADI	KOMP. Mik.	DAĞ. BİRİMİ
1	MRC9720	2510-99-788-8135	Ön Taban Sac ıSağ	Front Floor Plate RH	1	ADET
2	MTC2248	2510-99-125-8762	Ön Taban Sacı Sol	Front Floor Plate LH	1	ADET
3	71A00-81352-AA	5306-27-006-2752	Sac Vidası	Drive Screw (AB614061)	7	ADET
4	MRC5527-LD	5310-99-977-1694	Pul	Plain Washer	7	ADET
5	79023	5310-99-137-6543	Dübel Somun	Lokut Nut	5	ADET
6	14C01-80094-AA	5305-27-006-2737	Civata	Screw (SE106201)	4	ADET
7	MRC5527-LD	5310-99-977-1694	Pul	Plain Washer	4	ADET
8	11000-80301-AA	5310-27-006-2927	Rondela	Spring Washer	4	ADET
9	71A00-80201-AA	5310-27-006-2772	Somun	Nut (NH106041)	4	ADET
10	320045	5305-99-123-7828	Özel Civata	Acme Bolt	5	ADET
11	MRC5527-LD	5310-99-977-1694	Pul	Plain Washer	5	ADET
12	302532	5310-99-849-8253	Özel Somun	Spire Nut	5	ADET
13	M155009		Conta	Seal (M.155009)	1	ADET



GÖVDE-KOLTUK TABANI  
BODY-SEATBASE

RES. NO	PARÇA NO	NATO STOK NO	MALZEMENİN ADI	MALZEMENİN YABANCI ADI	KOMP. MİK.	DAG. BİRİMİ
1	MTC6340	2540-99-978-2195	Koltuk Tabanı-Avadanlık Gözlü	Seatbase Assy With Tool Locker	1	ADET
2	MTC6305	2590-99-788-8248	Avadanlık Gözü	Tool Locker	1	ADET
3	MRC9664	2540-99-721-4457	Akü Kutusu	Battery Tray	1	ADET
4	RU612253	5320-99-322-2855	Perçin-Avadanlık Gözü	Rivet-ToolLocker	25	ADET
	RU612253	5320-99-322-2855	Perçin-Avadanlık Kutusu	Rivet-BatteryTray	28	ADET
5	1100-80008-AA	5305-99-122-5361	Civata	Screw(SH106201)	9	ADET
6	MRC5525-LD	5310-99-754-3600	Pul	Plain Washer	18	ADET
7	11000-80301-AA	5310-27-006-2927	Rondela	Spring Washer	9	ADET
8	71A00-80201-AA	5310-27-006-2772	Somun	Nut(NH106041)	9	ADET
9	M155009		Conta	Seal(M.155009)	1	ADET
10	11000-80008-AA	5306-27-006-2700	Civata	Screw(SH106201)	2	ADET
	11000-80009-AA	5306-27-006-2701	Civata	Screw(SH106251)	2	ADET
11	MRC5528-LD	5310-66-128-4723	Pul	Plain Washer	4	ADET
12	11000-80301-AA	5310-27-006-2927	Rondela	Spring Washer	4	ADET
13	NK106081	5310-99-668-7687	Özel Somun	Grip Nut	4	ADET
14	11000-80008-AA	5306-27-006-2700	Civata	Screw(SH106201)	6	ADET
15	MRC5525-LD	5310-99-754-3600	Pul	Plain Washer	12	ADET
16	11000-80301-AA	5310-27-006-2927	Rondela	Spring Washer	6	ADET
17	71A00-80201-AA	5310-27-006-2772	Somun	Nut(NH106041)	6	ADET

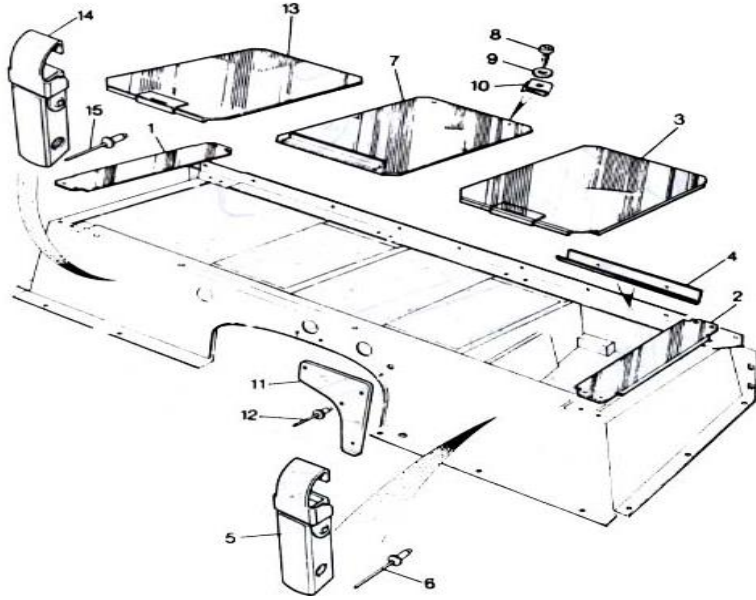
## LAND ROVER 110 YEDEK PARÇALARI

## 12-22

## ŞAŞI VE GÖVDE-CHASSIS AND BODY

## GÖVDE-KOLTUK TABANI BAĞLANTILARI

RES. NO	PARÇA NO	NATO STOK NO	MALZEMENİN ADI	MALZEMENİN YABANCI ADI	KOMP. MİK.	DAG. BİRİMİ
1	MUC1412		Uzatma Sacı-Sağ	Extension Panel RH	1	ADET



	334966		Uzatma Sacı-Sağ	Extension Panel RH	1	ADET
2	MUC7412		Uzatma Sacı-Sol	Extension Panel LH	1	ADET
3	MXC7481	6160-99-084-4828	Kapak Kopmple Akü Kutusu	Cover AssyBattery Box	1	ADET
4	MRC8136-LD	2920-99-788-8121	Kapak Köşebenti	Locating Angle-Lid	1	ADET
	MXC6338-LD	5340-99-499-7535	Kapak Köşebenti	Locating Angle-Lid	1	ADET
	11000-80008-AA	5306-27-006-2700	Civata	Screw(SH106201)	2	ADET
	71A00-80201-AA	5310-27-006-2772	Somun	Nut(NH106041)	2	ADET
	MRC5525-LD	5310-99-754-3600	Pul	Plain Washer	2	ADET
5	MRC8388	5340-99-721-4458	Mandal	Overcentre Catch	1	ADET
6	RU608123L	5320-99-004-0323	Perçin	Rivet	2	ADET
7	MTC4196-LD	5340-99-729-4187	Orta Kapak-4Silindir	Centre Locker Cover-4Cyl	1	ADET
	MXC9113-L		Orta Kapak-4Silindir	Centre Locker Cover-4Cyl	1	ADET
	71A00-68200-AA	5340-27-006-8261	Orta Kapak-4Silindir	Centre Locker Cover-4Cyl	1	ADET
8	14C01-81354-AA	5305-99-120-5723	Sac Vidası	DriveScrew(AB610051)	4	ADET
9	71A00-80318-AA	5310-99-139-0070	Pul	Plain Washer	4	ADET
10	53K3039-L	5310-99-256-3657	Özel Somun	SpireNut	4	ADET
	14C01-81354-AA	5305-99-120-5723	Sac Vidası	Drive Screw(AB610051)	6	ADET
	71A00-80318-AA	5310-99-139-0070	Pul	Plain Washer	6	ADET
	53K3039-L	5310-99-256-3657	Özel Somun	SpireNut	6	ADET
13	71A00-68092-AB		Avadanlık Kapağı Komple	CoverAssyTool Box	1	ADET
	MRC8136-LD	2920-99-788-8121	Kapak Köşebenti	Locating Angle-Lid	1	ADET
	11000-80008-AA	5306-27-006-2700	Civata	Screw(SH106201)	2	ADET
	MRC5525-LD	5310-99-754-3600	Pul	Plain Washer	2	ADET
	71A00-80201-AA	5310-27-006-2772	Somun	Nut(NH106041)	2	ADET
14	MRC8388	5340-99-721-4458	Mandal	Overcentre Catch	1	ADET
15	RU608123L	5320-99-004-0323	Perçin	Rivet	2	ADET
	338028	5325-99-828-1071	KörletmeTapası	Blanking Plug	1	ADET
	338017	5325-99-815-8506	KörletmeTapası	Blanking Plug	6	ADET

NOT1:Şasi No 278330'a kadar.

NOT5:Şasi No 8FF454914'ten Şubat 1991'e kadar.

NOT2:Şasi No278331'den Şasi No 455595'e kadar.

NOT6:Şubat 1991'den itibaren

NOT3:Şasi No HA455596'ya kadar.

NOT4:Şasi No HA455596'dan itibaren

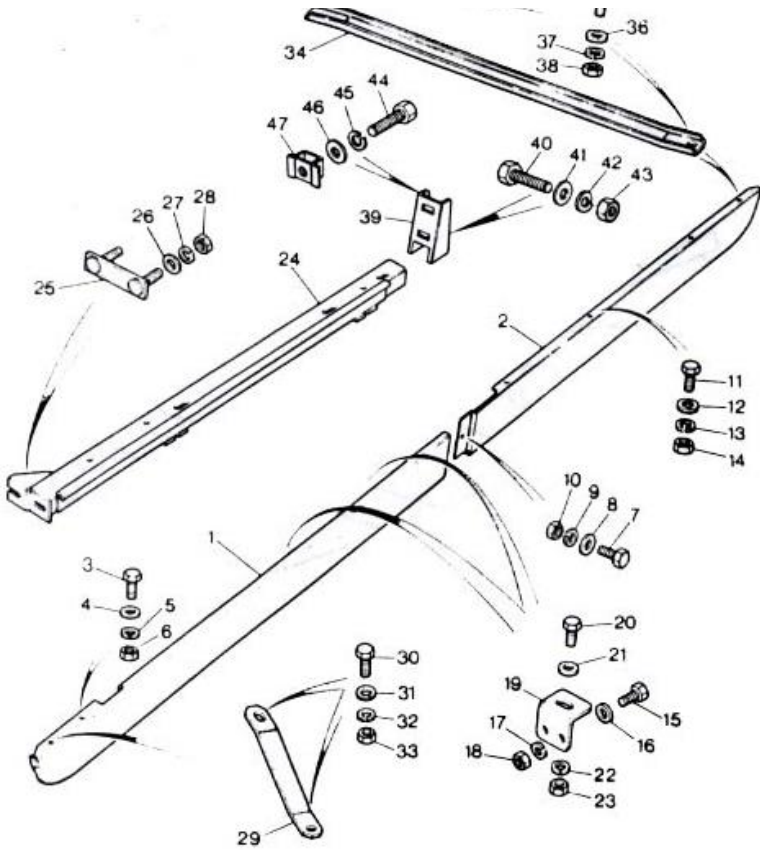
## LAND ROVER 110 YEDEK PARÇALARI

12-23

## ŞAŞİ VE GÖVDE-CHASSIS AND BODY

### GÖVDE-EŞİK PANELLERİ-PİKAP

RES. NO	PARÇA NO	NATO STOK NO	MALZEMENİN ADI	MALZEMENİN YABANCI ADI	KOMP. MİK.	DAG. BİRİMİ
1	RTC6205	2590-99-978-2276	Eşik Paneli Ön Sağ	Sill Panel Front RH	1	ADET
	RTC6206	2590-99-781-2253	Eşik Paneli Ön Sol	Sill Panel Front LH	1	ADET
2	MRC5049	2510-99-788-8103	Eşik Paneli Arka Sağ	Sill Panel Rear RH	1	ADET
	MRC5050	2590-99-781-2254	Eşik Paneli Arka Sol	Sill Panel Rear LH	1	ADET
	337812	2510-99-987-5316	Eşik Paneli Arka Sağ	Sill Panel Rear RH	1	ADET
	337813	2510-99-983-0671	Eşik Paneli Arka Sol	Sill Panel Rear LH	1	ADET



3	11000-80007-AA	5306-27-006-2699	Civata	Screw (SH106161)	4	ADET
4	MTC5525-LD	2540-99-788-8239	Pul	Plain Washer	8	ADET
5	11000-80301-AA	5310-27-006-2927	Rondela	Spring Washer	4	ADET
6	71A00-80201-AA	5310-27-006-2772	Somun	Nut(NH106041)	4	ADET
7	11000-80007-AA	5306-27-006-2699	Civata	Screw(SH106161)	2	ADET
8	71A00-80342-AA		Pul	Plain Washer(2213)	4	ADET
9	11000-80301-AA	5310-27-006-2927	Rondela	Spring Washer	2	ADET
10	71A00-80201-AA	5310-27-006-2772	Somun	Nut(NH106041)	2	ADET
11	11000-80007-AA	5306-27-006-2699	Civata	Screw(SH106161)	14	ADET
12	71A00-80342-AA		Pul	Plain Washer(2213)	12	ADET
13	11000-80301-AA	5310-27-006-2927	Rondela	Spring Washer	6	ADET
14	71A00-80201-AA	5310-27-006-2772	Somun	Nut(NH106041)	14	ADET
15	11000-80007-AA	5306-27-006-2699	Civata	Screw(SH106161)	4	ADET
16	71A00-80342-AA		Pul	Plain Washer(2213)	8	ADET
17	11000-80301-AA	5310-27-006-2927	Rondela	Spring Washer	4	ADET
18	71A00-80201-AA	5310-27-006-2772	Somun	Nut(NH106041)	4	ADET
19	MRC9438-L	5340-99-788-8132	Braket	Bracket	4	ADET
20	11000-80008-AA	5306-27-006-2700	Civata	Screw(SH106201)	4	ADET
21	71A00-80357-AA	5310-27-006-2966	Pul	Plain Washer(AFU1069)	8	ADET
22	11000-80301-AA	5310-27-006-2927	Rondela	Spring Washer	4	ADET
23	71A00-80201-AA	5310-27-006-2772	Somun	Nut(NH106041)	4	ADET

NOT:Pikap

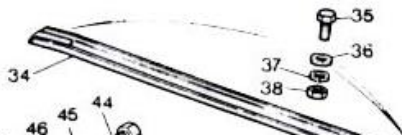
## LAND ROVER 110 YEDEK PARÇALARI

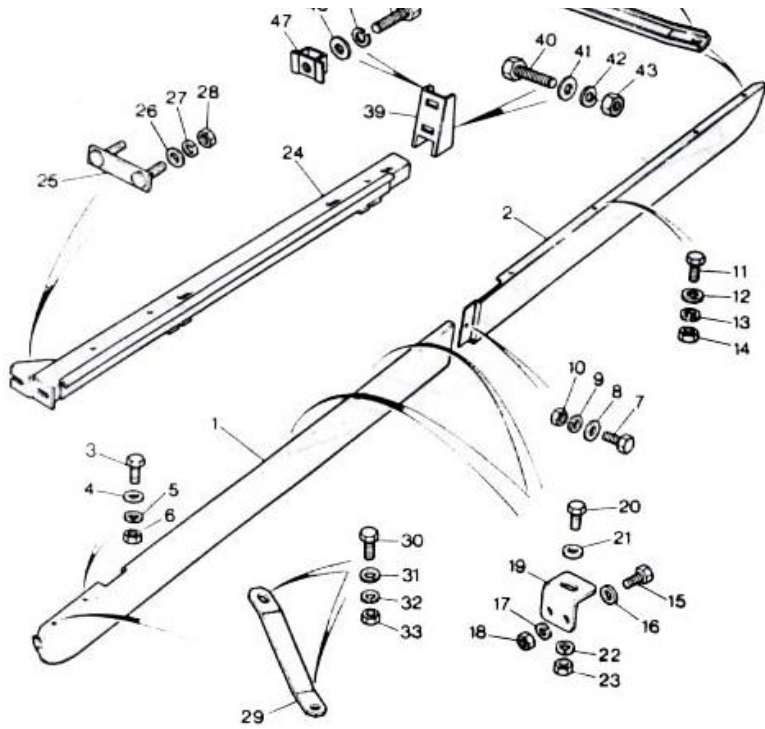
12-24

## ŞAŞİ VE GÖVDE-CHASSIS AND BODY

### GÖVDE-EŞİK PANELLERİ-PİKAP

RES. NO	PARÇA NO	NATO STOK NO	MALZEMENİN ADI	MALZEMENİN YABANCI ADI	KOMP. MİK.	DAĞ. BİRİMİ
24	NWC1086		Eşik Kanalı Sağ	Sill Channel RH	1	ADET
	NWC1087		Eşik Kanalı Sol	Sill Channel LH	1	ADET
25	MRC2481	5306-99-829-5213	CivatalıSac	Bolt Plate	2	ADET
26	71A00-80299-AA	5310-27-006-2939	Pul	Plain Washer (WA104004)	4	ADET
27	71A00-80316-AA	5310-99-941-6655	Rondela	Spring Washer	4	ADET
28	NH605041L	5310-99-136-1515	Somun	Nut	4	ADET
29	MRC5153-L	2510-99-788-8106	Ön Tutucu	Front Stay	2	ADET
30	11000-80007-AA	5306-27-006-2699	Civata	Screw(SH106161)	4	ADET
31	MRC5525-LD	5310-99-754-3600	Pul	Plain Washer	4	ADET
32	11000-80301-AA	5310-27-006-2927	Rondela	Spring Washer	4	ADET





33	71A00-80201-AA	5310-27-006-2772	Somun	Nut(NH106041)	4	ADET
34	MRC6019	2510-99-788-8112	OrtaTutucu	CentreStay	2	ADET
35	11000-80007-AA	5306-27-006-2699	Civata	Screw(SH106161)	4	ADET
36	MRC5525-LD	5310-99-754-3600	Pul	Plain Washer	4	ADET
37	11000-80301-AA	5310-27-006-2927	Rondela	Spring Washer	4	ADET
38	71A00-80201-AA	5310-27-006-2772	Somun	Nut(NH106041)	4	ADET
39	347436	2510-99-825-1042	Bağlantı Braketi	Mounting Bracket	2	ADET
40	11000-80016-AA	5306-27-006-2703	Civata	Screw (SH108201)	4	ADET
41	71A00-80342-AA		Pul	Plain Washer(2213)	8	ADET
42	11000-80302-AA	5310-27-006-2928	Rondela	Spring Washer	4	ADET
43	71A00-80203-AA	5310-27-006-2774	Somun	Nut(NH108041)	4	ADET
44	11000-80008-AA	5306-27-006-2700	Civata	Screw(SH106201)	4	ADET
45	11000-80301-AA	5310-27-006-2927	Rondela	Spring Washer	4	ADET
46	MRC5528-LD	5310-66-128-4723	Pul	Plain Washer	4	ADET
47	NK106081	5310-99-668-7687	Özel Somun	Grip Nut	4	ADET

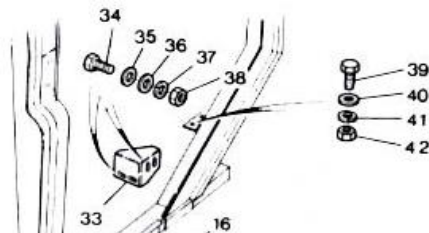
## LAND ROVER 110 YEDEK PARÇALARI

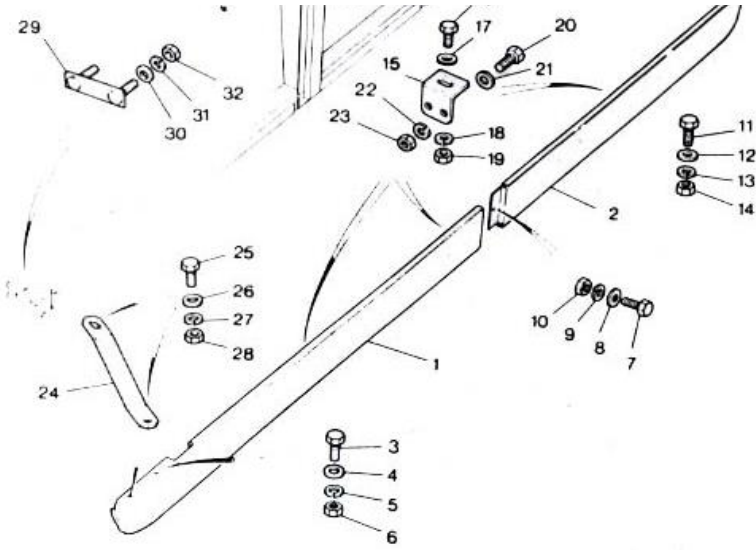
12-25

## ŞAŞI VE GÖVDE-CHASSIS AND BODY

### GÖVDE-EŞİK PANELLERİ-S/W

RES. NO	PARÇA NO	NATO STOK NO	MALZEMENİN ADI	MALZEMENİN YABANCI ADI	KOMP. MİK.	DAG. BİRİMİ
1	RTC6205	2590-99-978-2276	Eşik Paneli Ön Sağ	Sill Panel Front RH	1	ADET
	RTC6206	2590-99-781-2253	Eşik Paneli Ön Sol	Sill Panel Front LH	1	ADET
2	RTC6209	2510-99-149-8182	Eşik Paneli Arka Sağ	Sill Panel Rear RH	1	ADET
	RTC6210	2510-99-623-8207	Eşik Paneli Arka Sol	Sill Panel Rear LH	1	ADET
3	11000-80007-AA	5306-27-006-2699	Civata	Screw (SH106161)	4	ADET
4	MUC5525		Pul	Plain Washer	8	ADET
5	11000-80301-AA	5310-27-006-2927	Rondela	Spring Washer	8	ADET
6	71A00-80201-AA	5310-27-006-2772	Somun	Nut(NH106041)	4	ADET
7	11000-80007-AA	5306-27-006-2699	Civata	Screw(SH106161)	2	ADET
8	RTC609	5310-99-120-4032	Pul	Plain Washer	4	ADET
9	WM106001L	5310-99-137-9232	Rondela	Spring Washer	2	ADET
10	71A00-80201-AA	5310-27-006-2772	Somun	Nut(NH106041)	2	ADET
11	11000-80007-AA	5306-27-006-2699	Civata	Screw(SH106161)	4	ADET
12	RTC609	5310-99-120-4032	Pul	Plain Washer	4	ADET





13	WM106001L	5310-99-137-9232	Rondela	Spring Washer	4	ADET
14	71A00-80201-AA	5310-27-006-2772	Somun	Nut(NH106041)	4	ADET
15	MRC9438-L	5340-99-788-8132	Braket	Bracket	6	ADET
16	11000-80008-AA	5306-27-006-2700	Civata	Screw(SH106201)	6	ADET
17	RTC609	5310-99-120-4032	Pul	Plain Washer	12	ADET
18	WM106001L	5310-99-137-9232	Rondela	Spring Washer	6	ADET
19	71A00-80201-AA	5310-27-006-2772	Somun	Nut(NH106041)	6	ADET
20	11000-80007-AA	5306-27-006-2699	Civata	Screw(SH106161)	4	ADET
21	RTC609	5310-99-120-4032	Pul	Plain Washer	8	ADET
22	WM106001L	5310-99-137-9232	Rondela	Spring Washer	4	ADET
23	71A00-80201-AA	5310-27-006-2772	Somun	Nut(NH106041)	4	ADET

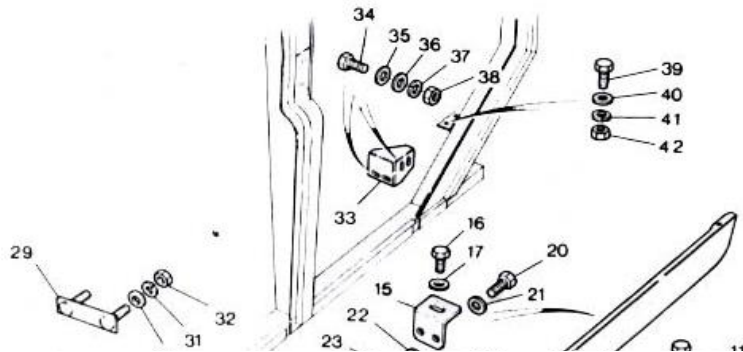
## LAND ROVER 110 YEDEK PARÇALARI

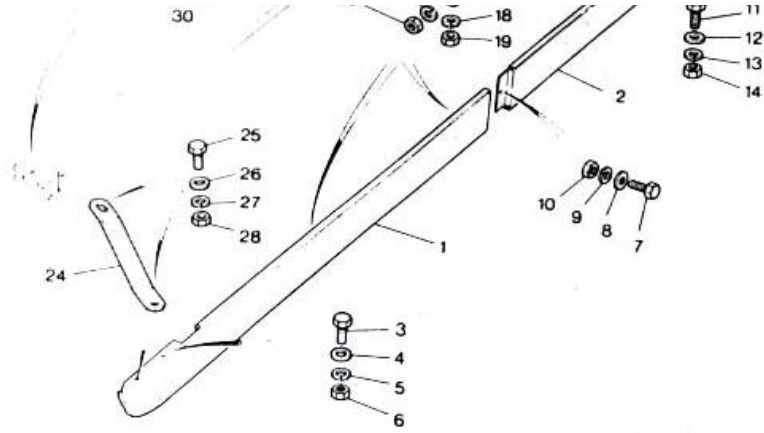
12-26

## ŞAŞI VE GÖVDE-CHASSIS AND BODY

### GÖVDE-EŞİK PANELLERİ-S/W

RES. NO	PARÇA NO	NATO STOK NO	MALZEMENİN ADI	MALZEMENİN YABANCI ADI	KOMP. MİK.	DAG. BİRİMİ
24	MRC5153-L	2510-99-788-8106	Ön Destek	Front Stay	2	ADET
25	11000-80007-AA	5306-27-006-2699	Civata	Screw(SH106161)	4	ADET
26	11000-80351-AA	5310-27-006-2934	Pul	Plain Washer	4	ADET
27	11000-80301-AA	5310-27-006-2927	Rondela	Spring Washer	4	ADET
28	71A00-80201-AA	5310-27-006-2772	Somun	Nut(NH106041)	4	ADET
29	MRC5765-L	2510-99-301-7151	Civatalı Sac	Bolt Plate	2	ADET
30	RTC610	5310-99-941-8623	Pul	Plain Washer	4	ADET
31	71A00-80316-AA	5310-99-941-6655	Rondela	Spring Washer	4	ADET
32	71A00-80203-AA	5310-27-006-2774	Somun	Nut(NH108041)	4	ADET
33	MRC6359-L		Braket Sağ	Bracket RH	1	ADET
	MRC6360-L		Braket Sol	Bracket LH	1	ADET
34	SX108251	2590-99-215-9483	Civata	Bolt	8	ADET
35	WP185	5310-99-136-5496	Pul	Plain Washer	2	ADET
36	RTC601	5315-99-562-7347	Pul	Plain Washer	16	ADET
37	11000-80136-AA	5310-99-941-6655	Rondela	Spring Washer	8	ADET
38	71A00-80203-AA	5310-27-006-2774	Somun	Nut(NH108041)	8	ADET
39	11000-80014-AA	5306-27-006-2702	Civata	Screw(SH108161)	4	ADET





40	71A00-80323-AA	5310-99-138-7965	Pul	Plain Washer	8	ADET
	RTC613	5310-99-956-1786	Pul	Plain Washer	4	ADET
41	71A00-80316-AA	5310-99-941-6655	Rondela	Spring Washer	4	ADET
42	71A00-80203-AA	5310-27-006-2774	Somun	Nut(NH108041)	4	ADET
	MUC9110		Somunlu Sac		4	ADET

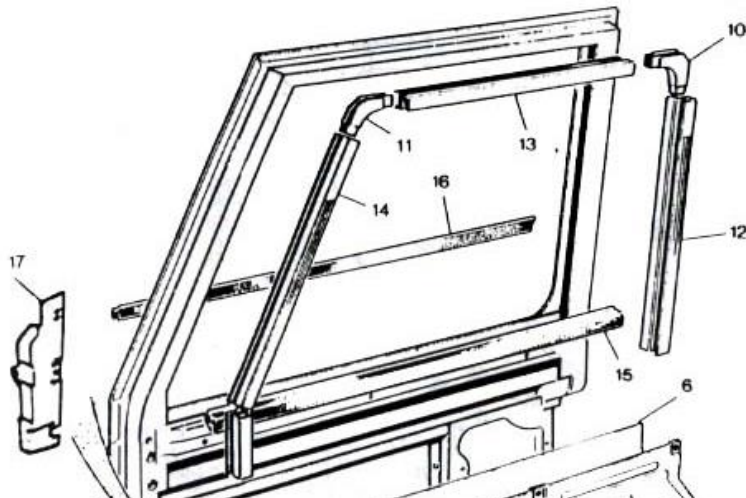
### LAND ROVER 110 YEDEK PARÇALARI

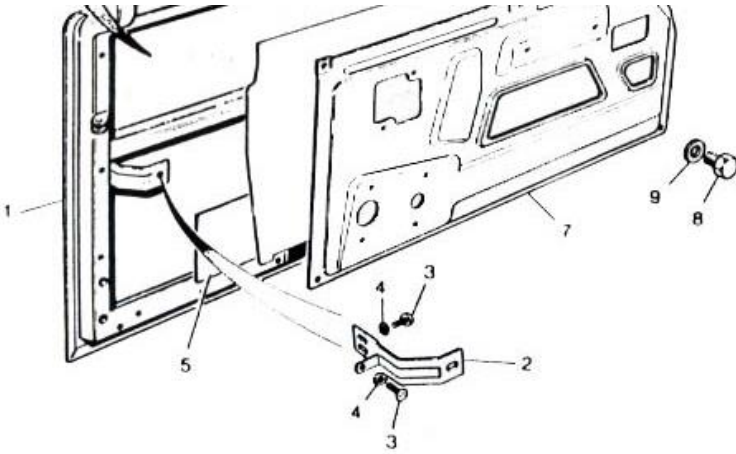
12-27

### ŞAŞI VE GÖVDE-CHASSIS AND BODY

### GÖVDE-ÖN KAPI SÖKÜK KOMPLE BODY-FRONT DOOR CLINCHED ASSEMBLY

RES. NO	PARÇA NO	NATO STOK NO	MALZEMENİN ADI	MALZEMENİN YABANCI ADI	KOMP. MİK.	DAG. BİRİMİ
1	MXC6788		Ön Kapı Sökük-Sağ	Frnt.Door Clinched-RH	1	ADET
	MXC6789		Ön Kapı Sökük Sol	Frnt.Door ClinchedLH	1	ADET
	MXC7958	2510-99-984-7138	Ön Kapı Sökük-Sağ	Frnt.Door Clinched-RH	1	ADET
	MXC7959	2510-99-641-8513	Ön Kapı Sökük Sol	Frnt.Door Clinched LH	1	ADET
	ALR1800		Braket Sağ	Baracket Pivot RH	1	ADET
	ALR1801		Braket Sol	Bracket Pivot LH	1	ADET
2	MWC8223		Destek Braketi	Support Bracket	2	ADET
3	11003-80076-AA	5305-27-006-1006	Civata	Screw (SE106161)	4	ADET
4	WE106001L	5310-99-977-1871	Tırtıllı Pul	Shakeproof Washer	4	ADET
5	MTC5463		Ses Önleyici Takoz	Sound Deadening Pad	2	ADET
6	MWC3293		Su Perdesi	Water Curtain	2	ADET
7	MWC8270	2510-99-126-5839	İç Panel Sağ	Inner Panel RH	1	ADET
	MWC8271		İç Panel Sol	Inner Panel LH	1	ADET
8	11000-80005-AA	5306-27-006-2698	Civata	Screw (SH106101)	10	ADET
9	11000-80351-AA	5310-27-006-2934	Pul	Plain Washer	10	ADET
10	201235	2510-99-778-3583	Dolgu-Arka Köşe	Filler-RearCorner	2	ADET
11	201647	2510-99-777-0324	Dolgu-Ön Köşe	Filler-FrontCorner	2	ADET
	MUC1651-L	2510-99-777-0326	Dolgu Dikey	Filler-Vertical	2	ADET
	MUC1651-L	2510-99-777-0326	Dolgu Dikey	Filler-Vertical	6	ADET
13	MUC1652-L	2510-99-777-0325	Dolgu Üst	Filler-Top	2	ADET





14	MUC1730-L	2510-99-777-0322	Dolgu-Eğim-Sağ	Filler-Sloping RH	1	ADET
	MUC1731-L	2510-99-777-0323	Dolgu-Eğim-Sol	Filler-Sloping LH	1	ADET
15	MTC8473	5330-66-128-5261	İç Dolgu Lastiği	Waist Seallner	2	ADET
16	MTC8474	9390-99-777-0327	Dış Dolgu Lastiği	Waist Seal Outer	2	ADET
17	MXC7570		Su Önleyici Sağ	Water Deflector RH	1	ADET
	MXC7571		Su Önleyici Sol	Water Deflector LH	1	ADET

NOT1:Şasi No 455595'e kadar.  
 NOT2:Şasi No 455596'dan itibaren.  
 NOT3:Şasi No FA429397'den itibaren.

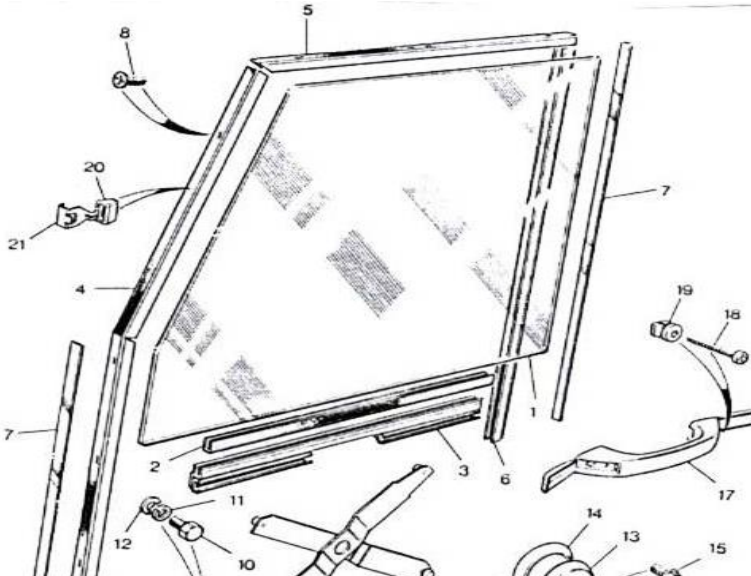
## LAND ROVER 110 YEDEK PARÇALARI

12-28

## ŞAŞI VE GÖVDE-CHASSIS AND BODY

### GÖVDE-ÖN KAPI-CAM YÜKSELTİCİSİ

RES. NO	PARÇA NO	NATO STOK NO	MALZEMENİN ADI	MALZEMENİN YABANCI ADI	KOMP. MİK.	DAG. BİRİMİ
1		2510-99-777-5295	Düz Cam	Glass-Clear	2	ADET
2	MUC1713-L	9320-99-777-0332	Cam Lastiği-İtici Kanal	Glazing Rubber-Lift Channel	2	ADET
3	MTC8477-L	2540-99-777-0333	Kanal-Cam İtici	Channel-WindowLift	2	ADET
4	MUC4071-L	2540-66-128-5129	Kanal-Dik-Ön	Channel-Vertical-Front	2	ADET
5	MTC8468-L	2540-99-777-0335	Kanal-Üst	Channel-Top	2	ADET
6	MUC4072-L	2540-66-128-5131	Kanal-Dik-Arka	Channel-Vertical-Rear	2	ADET
7	MUC4073-L	5365-66-128-5215	Sim-Kanal Avari	Shim-Channel Adjustment	2	ADET
8	71A00-81320-AA	5305-66-128-5091	SacVidası	DriveScrew(AC606031)	22	ADET
	11000-81334-AA	5305-99-950-4416	SacVidası	DriveScrew(AC606041)	4	ADET
9	MUC3024	2590-99-978-2586	Cam Yükseltici-Sağ	Window Regulator RH	1	ADET
	MUC3025	2590-99-782-0583	Cam Yükseltici-Sol	Window Regulator LH	1	ADET
10	11000-80005-AA	5306-27-006-2698	Civata	Screw (SH106101)	8	ADET
11	11000-80301-AA	5310-27-006-2927	Rondela	Spring Washer	8	ADET
12	11000-80351-AA	5310-27-006-2934	Pul	Plain Washer	8	ADET
13	RTC3939PA	2540-99-769-4640	Cam Yükseltici Kolu	Regulator Handle	2	ADET
14	JPC9023PMA	5340-99-413-5964	Çerçeve	Escutcheon	2	ADET
15	ADU5727L	5305-99-769-4643	Kilitli Vida	Powerlok Screw	2	ADET
16	RTC3940PA	2540-99-769-4641	Kapak-Cam Yükseltici Kolu	Cover-Regulator Handle	2	ADET
17	YGA451L	5340-99-767-8822	Kapı İç Tutamağı	Door Pull	2	ADET
18	71A00-81350-AA	5306-27-006-2750	Sac Vidası	Drive Screw	4	ADET
19	RTC3748	5310-99-138-7228	Dübel Somun	Lokut Nut	4	ADET
20	MWC4370	5340-66-128-5370	Plastik Keleççe	Plastic Clip	2	ADET







21	MWC4371	5340-66-128-5369	Kelepçe	Retantion Clip	2	ADET
----	---------	------------------	---------	----------------	---	------

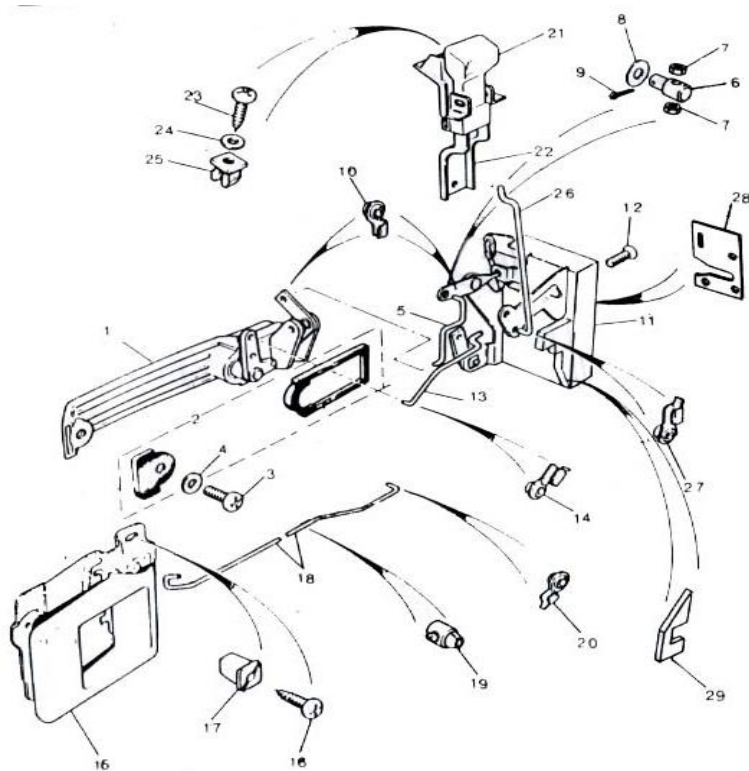
NOT1:Gerektiği kadar.

## LAND ROVER 110 YEDEK PARÇALARI

12-29

## ŞAŞI VE GÖVDE-CHASSIS AND BODY

### GÖVDE-ÖN KAPI-TUTAMAKLAR-KİLİTLER VE BAĞLANTILAR



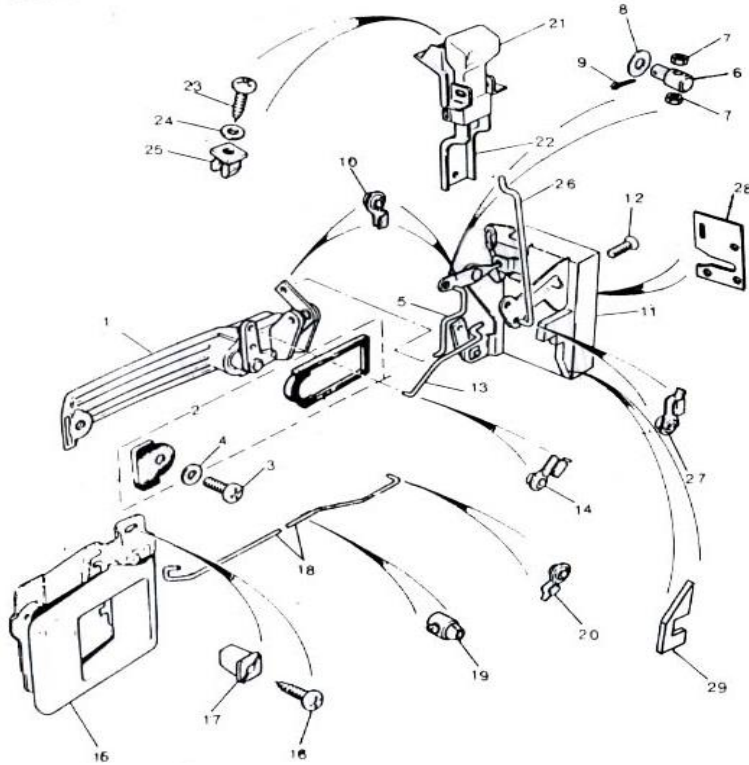
RES. NO	PARÇA NO	NATO STOK NO	MALZEMENİN ADI	MALZEMENİN YABANCI ADI	KOMP. MİK.	DAĞ. BİRİMİ
1	MXC7651	2510-99-151-1399	Kapı Dış Tutamağı Sol	External Door Handle LH	1	ADET
	MXC7652	2510-99-027-6620	Kapı Dış Tutamağı Sağ	External Door Handle RH	1	ADET
2	STC617	2510-99-346-9566	Conta-Tutamak Ön Arka	Gasket-Handle Kit	2	ADET
3	14C01-80116-AA	5305-27-006-2738	Civata	Screw Pan Head (SE105101)	4	ADET
4	71A00-80315-AA	5310-99-122-3032	Pul	Plain Washer	4	ADET
	71A00-80310-AA	5310-27-006-2944	Civata	Screw (WC105001)	4	ADET
5	MWC4846	2540-99-728-3537	Sağ Bağlantı-Dış Açılmış	Link RH-Threaded	1	ADET
	MWC4847	2540-99-759-7407	Sol Bağlantı-Dış Açılmış	Link LH-Threaded	1	ADET
6	MWC4850		Ayarlayıcı	Adjuster	2	ADET
	ALR4065		Ayarlayıcı-Dış Açılmış	Adjuster-Threaded	2	ADET
7	71A00-80228-AA	5310-99-122-6456	Somun	Nut (NH104041)	4	ADET
8	MRC5525-LD	5310-99-754-3600	Pul	Plain Washer	2	ADET
9	PS603041	5315-66-128-5248	Kopilya	Split Pin	2	ADET
	PS103101L	5315-99-282-2094	Kopilya	Split Pin	3	ADET
10	634604-L	5340-66-128-5268	Bağlantı Kelepçesi	Link Clip	4	ADET
	BRC1393	2510-99-257-8478	Bağlantı Kelepçesi	Link Clip	4	ADET
11	MWC1476	2540-66-128-5133	Kapı Mandalı Sağ	Door Latch RH	1	ADET
	MWC1477	2540-66-128-5135	Kapı Mandalı Sol	Door Latch LH	1	ADET
12	12801-80089-AA	5305-99-607-6673	Civata	Screw (SF106161)	6	ADET
13	MWC1480	3040-99-196-9841	Bağlantı Sağ-Dış Kilit	Link RH-External Lock	1	ADET
	MWC1481	2510-99-781-1602	Bağlantı Sol-Dış Kilit	Link LH-External Lock	1	ADET
14	634604-L	5340-66-128-5268	Bağlantı Kelepçesi	Link Clip	2	ADET
	BTR1393		Bağlantı Kelepçesi	Link Clip	2	ADET
15	DBP5840PMA	2540-66-128-5142	Kapı Tutamağı İç-Sağ	Internal Door Handle RH	1	ADET
	DBR5841PMA		Kapı Tutamağı İç-Sol	Internal Door Handle LH	1	ADET

NOT1:Şasi No HA455595'e kadar.  
NOT2:Şasi No HA455596'dan itibaren.

NOT1:Şasi No HA455596 dan itibaren  
 NOT3:Şasi No KA930183'e kadar.  
 NOT4:Şasi No KA930183'ten itibaren  
 NOT5:Şasi No FA446199'a kadar.  
 NOT6:Şasi No FA446200'den itibaren.  
 NOT7:Şasi No HA904361'e kadar.

## LAND ROVER 110 YEDEK PARÇALARI

### GÖVDE-ÖN KAPI-TUTAMAKLAR-KİLİTLER VE BAĞLANTILAR BODY-FRONT DOOR-HANDLES-LOCKS & LINKADES



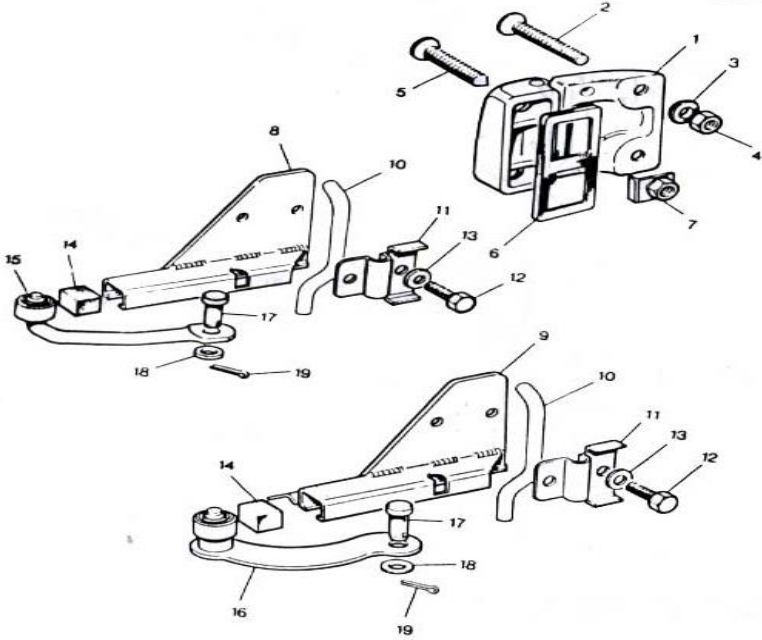
12-30

## ŞASI VE GÖVDE-CHASSIS AND BODY

RES. NO	PARÇA NO	NATO STOK NO	MALZEMENİN ADI	MALZEMENİN YABANCI ADI	KOMP. MİK.	DAĞ. BİRİMİ
16	MUC3394	5305-66-128-5246	Sac Vidası	Drive Screw	4	ADET
17	MWC1950	5310-66-128-5213	Dübel Somun	Locut Nut	4	ADET
18	MWC1486	2510-99-744-3424	Bağlantı Sağ-İç Tutamak	Link RH-Internal Handle	1	ADET
	MWC1487	3040-99-888-9065	Bağlantı Sol-İç Tutamak	Link LH-Internal Handle	1	ADET
19	CRC1250	2530-99-830-2724	Kelepçe	Support Clip	2	ADET
20	BFP1265	5340-66-128-5267	Bağlantı Kelepçesi	Link Clip	2	ADET
21	JRC1775	5340-99-735-0229	Kilit Butonu	Sill Button	2	ADET
22	BRC8965PMA	2590-99-300-8025	Yuva	Housing	2	ADET
23	11000-81346-AA	5306-27-006-2740	Sac Vidası	Screw (AB606041)	4	ADET
24	71A00-80298-AA	5310-99-122-3031	Pul	Plain Washer	4	ADET
25	MWC1950	5310-66-128-5213	Dübel Somun	Lokut Nut	4	ADET
26	MWC1484	3040-99-701-6647	Bağlantı-Buton Kilidi	Link-Sill Lock	2	ADET
27	BFP1265	5340-66-128-5267	Bağlantı Kelepçesi	Link Clip	2	ADET
28	MXC8222		Conta-Kapı Kilidi Sağ	Gasket Door Lockface RH	1	ADET
	MXC8223		Conta-Kapı Kilidi Sol	Gasket Door Lockface LH	1	ADET
29	MXC8224		Conta-Kilit İçi Sağ	Seal-Lock Aperture RH	1	ADET
	MXC8225		Conta-Kilit İçi Sol	Seal-Lock Aperture LH	1	ADET

NOT:Şasi No FA419176'dan itibaren.

## LAND ROVER 110 YEDEK PARÇALARI

GÖVDE-ÖN KAPI-MENTEŞELER VE KAPI  
KUMANDASI  
BODY-FRONT DOOR-HINGES AND DOOR CHECK

12-31

## ŞAŞI VE GÖVDE-CHASSIS AND BODY

RES. NO	PARÇA NO	NATO STOK NO	MALZEMENİN ADI	MALZEMENİN YABANCI ADI	KOMP. MİK.	DAG. BİRİMİ
1	MRC3037-LD	2510-99-829-7495	Kapı Menteşesi-Üst Sağ	Door Hinge Upper RH	1	ADET
	MXC8284-LD	2540-99-883-5646	Kapı Menteşesi-Üst Sağ	Door Hinge Upper RH	1	ADET
	MRC3038-LD	2510-99-829-7496	Kapı Menteşesi-Üst Sol	Door Hinge Upper LH	1	ADET
	MXC8285-LD	2540-99-282-5980	Kapı Menteşesi-Üst Sol	Door Hinge Upper LH	1	ADET
	347362-LD	2510-99-824-8458	Kapı Menteşesi-Alt Sağ	Door Hinge Lower RH	1	ADET
	MXC8282-LD	2510-99-824-8458	Kapı Menteşesi-Alt Sağ	Door Hinge Lower RH	1	ADET
	347363-LD	2510-99-824-8459	Kapı Menteşesi-Alt Sol	Door Hinge Lower LH	1	ADET
	MXC8283-LD	2510-99-824-8459	Kapı Menteşesi-Alt Sol	Door Hinge Lower LH	1	ADET
2	MWC1899	5305-66-128-5090	Cıvata-Menteşeyi Kapiya	Screw-Hinge to Door	8	ADET
	MWC1898-L	5365-99-902-6925	Ara Parça	Packer	4	ADET
3	MRC1980	2510-99-829-7487	Naylon Pul	Nylon Washer	8	ADET
4	NH605041L	5310-99-136-1515	Somun	Nut	8	ADET
5	79221	5305-99-824-8466	Cıvata	Screw-Hinge to Body	8	ADET
6	347369-L	5330-99-824-8467	Pul	Seating Washer	4	ADET
7	MRC2178-L	5310-99-138-5889	J Somun	J-Nut	8	ADET
8	MUC6164	2540-99-788-8423	Tutucu Kanalı-Sağ	Checkstrap Channel-RH	1	ADET
	MUC6163	2540-99-920-9091	Tutucu Kanalı-Sol	Checkstrap Channel-LH	1	ADET
9	MWC5018	2590-99-599-0454	Tutucu Kanalı-Sağ	Checkstrap Channel-RH	1	ADET
	MWC5019	2590-99-915-3906	Tutucu Kanalı-Sol	Checkstrap Channel-LH	1	ADET

NOT1:Nisan 1991'e kadar.  
 NOT2:Nisan 1991'den itibaren  
 NOT3:Alternatif bağlantılar.  
 NOT4:Şasi No 303449'a kadar.  
 NOT5:Şasi No 303450'den itibaren.  
 NOT6:Şasi No HA906550'ye kadar.  
 NOT7:Şasi No HA906551'den itibaren.  
 NOT8:Şasi No 455595'e kadar.  
 NOT9:Şasi No 4555956'dan itibaren.

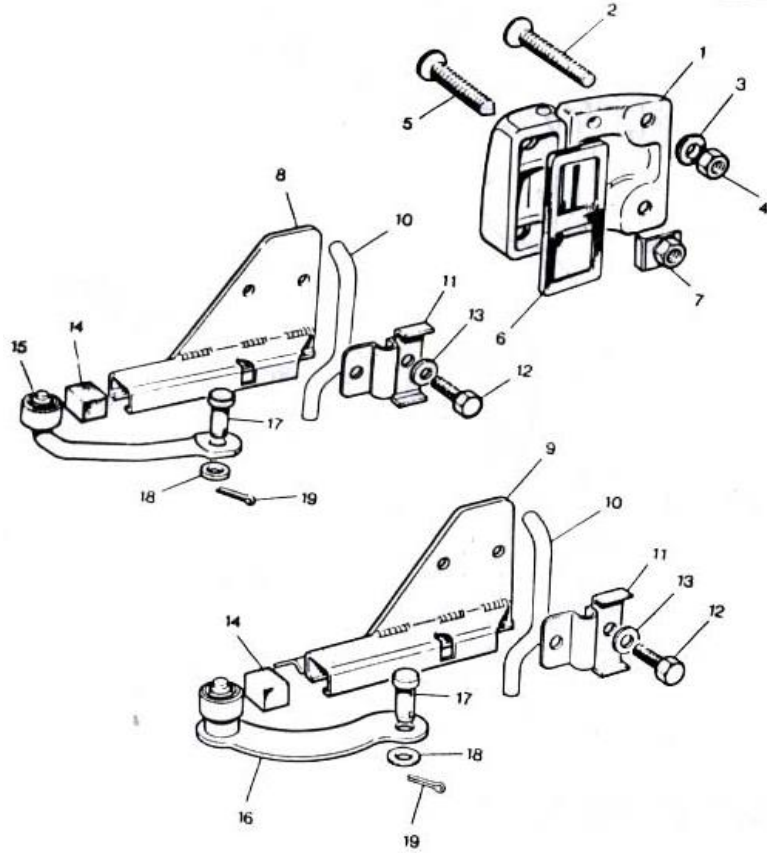
## LAND ROVER 110 YEDEK PARÇALARI

12-32

## ŞAŞI VE GÖVDE-CHASSIS AND BODY

GÖVDE-ÖN KAPI-MENTEŞELER VE KAPI  
KUMANDASI  
BODY-FRONT DOOR-HINGES AND DOOR CHECK

RES. NO	PARÇA NO	NATO STOK NO	MALZEMENİN ADI	MALZEMENİN YABANCI ADI	KOMP. MİK.	DAG. BİRİMİ
10	ALR2318	2590-99-301-0069	Gerdirme Çubuğu-Sağ	Torsion Bar-RH	1	ADET
	MUC6159	2590-99-777-5289	Gerdirme Çubuğu-Sol	Torsion Bar-LH	1	ADET
	ALR2319	2590-99-777-5289	Gerdirme Çubuğu-Sol	Torsion Bar-LH	1	ADET



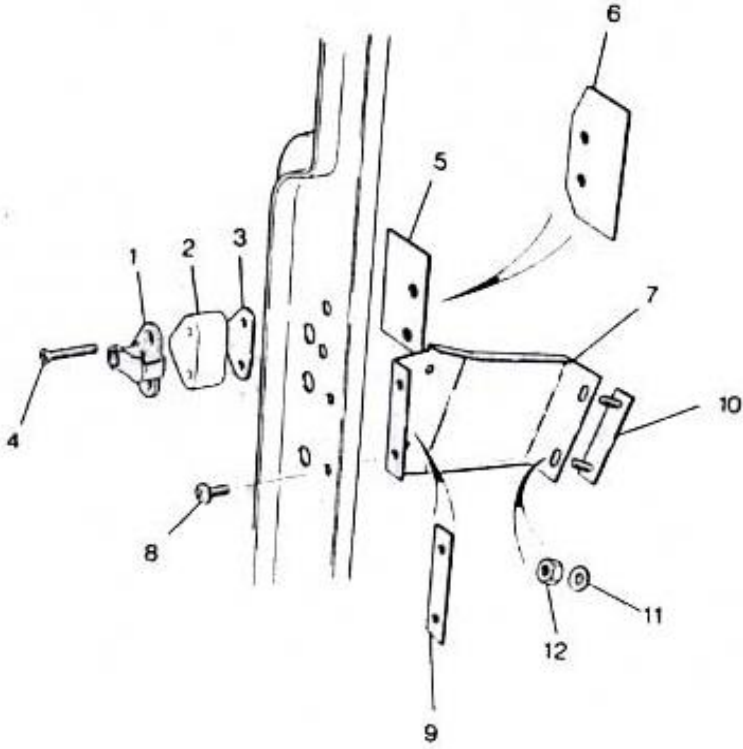
11	MWC6450-L	3040-99-301-7166	Braket	Pivot Bracket	2	ADET
12	11000-80010-AA	5306-27-006-2705	Civata	Screw (SH106301)	4	ADET
13	11000-80351-AA	5310-27-006-2934	Pul	Plain Washer	4	ADET
14	MWC5759-L	5340-66-128-5250	Lastik Takoz	Rubber Buffer	1	ADET
15	MUC1888	2590-99-979-2479	Tutucu-Sağ	Checkstrap-RH	1	ADET
	MUC1889	2590-99-978-2480	Tutucu-Sol	Checkstrap-LH	1	ADET
16	ALR2321	2520-99-660-6942	Tutucu-Sağ	Checkstrap-RH	1	ADET
	ALR2322	2590-99-513-6762	Tutucu-Sol	Checkstrap-LH	1	ADET
17	306564	5315-99-849-8614	Pim	Clevis Pin (PC108321)	2	ADET
	71A00-80655-AA	5315-27-006-2881	Pim	Clevis Pin (PC108321)	2	ADET
18	11000-80324-AA	5310-99-122-6475	Pul	Plain Washer	2	ADET
	302373	5310-99-849-8248	Kauçuk Pul	Washer Rubber	2	ADET
19	2393	5315-99-138-2207	Kopilya	Split Pin	2	ADET
	NTC6195	5315-99-987-8351	R Klip	R Clip	2	ADET

NOT1:Nisan 1991'e kadar.  
 NOT2:Nisan 1991'den itibaren  
 NOT3:Alternatif bağlantılar.  
 NOT4:Şasi No 303449'a kadar.  
 NOT5:Şasi No 303450'den itibaren.  
 NOT6:Şasi No HA906550'ye kadar.  
 NOT7:Şasi No HA906551'den itibaren.  
 NOT8:Şasi No 455595'e kadar.  
 NOT9:Şasi No 4555956'dan itibaren.

### LAND ROVER 110 YEDEK PARÇALARI

#### GÖVDE-ÖN KAPI-KARŞILIK VE DESTEK BRAKETİ BODY-FRONT DOOR-STRIKER SUPPORT BRACKET

12-33		ŞASI VE GÖVDE-CHASSIS AND BODY				
RES. NO	PARÇA NO	NATO STOK NO	MALZEMENİN ADI	MALZEMENİN YABANCI ADI	KOMP. MİK.	DAĞ. BİRİMİ
1	MUC8526-L	5340-99-396-0485	Karşılık	Striker	2	ADET
2	MUC7809-L	5365-99-876-0172	Ara Parça	Spacer	2	ADET
3	MWC3148-L	5365-99-950-2663	Ara Parça	Packer		ADET
4	71A00-81333-AA	5305-99-122-3014	Civata	Screw	4	ADET
5	MWC1812-LD	5340-27-006-8231	Takviye Sacı Sağ	Reinforcement Plate RH	1	ADET
	MWC1813-LD	5340-99-759-0997	Takviye Sacı Sol	Reinforcement Plate LH	1	ADET



6	MWC1622-LD	5310-99-547-8669	Somunlu Sac	Nut Plate	2	ADET
7	MWC1736	2510-99-234-1536	Destek Braketi Sağ	Support Bracket RH	1	ADET
	MWC1737	2510-99-844-9597	Destek Braketi Sol	Support Bracket LH	1	ADET
8	11003-80076-AA	5305-99-122-6643	Civata	Screw (SE106161)	4	ADET
9	MRC9431-L	2540-99-797-4647	Somunlu Sac	Nutplate	2	ADET
10	MUC1049	5307-99-052-0293	Saplama Sacı	Stud Plate	2	ADET
11	11000-80351-AA	5310-27-006-2934	Pul	Plain Washer	4	ADET
12	71A00-80201-AA	5310-27-006-2772	Somun	Nut (NH106041)	4	ADET

NOT1:Pikap  
NOT2:S/Wagon  
NOT3:Gerektiği kadar.

## LAND ROVER 110 YEDEK PARÇALARI

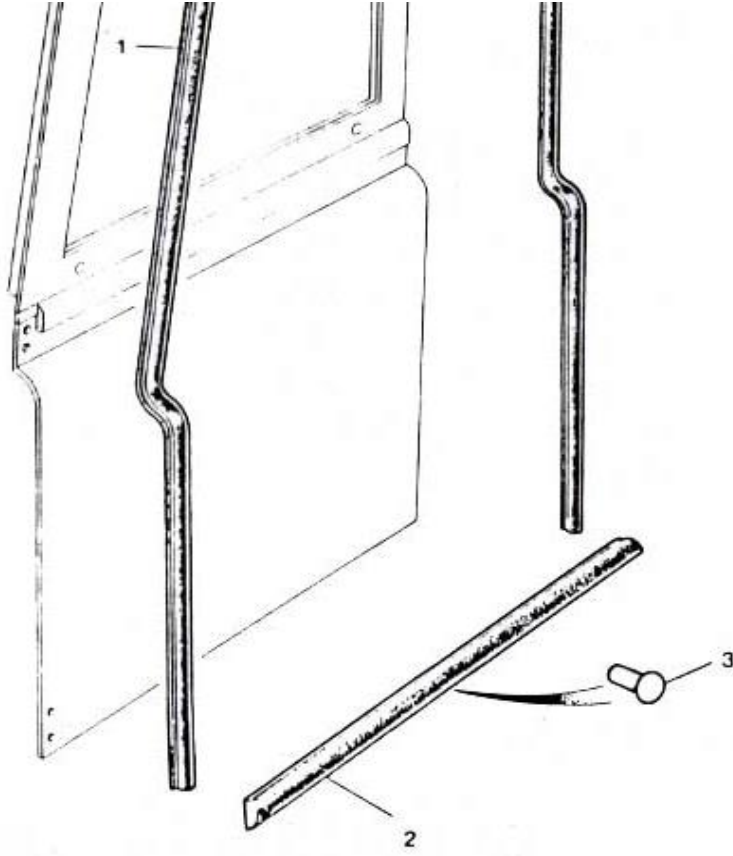
12-34

## ŞAŞI VE GÖVDE-CHASSIS AND BODY

### GÖVDE-ÖN KAPI-LASTİKLERİ



RES. NO	PARÇA NO	NATO STOK NO	MALZEMENİN ADI	MALZEMENİN YABANCI ADI	KOMP. MİK.	DAĞ. BİRİMİ
1	MWC1080-LD		Ön Kapı Lastiği Sağ	Front Door Seal RH	1	ADET
	MWC1081-LD	5330-99-749-5738	Ön Kapı Lastiği Sol	Front Door Seal LH	1	ADET
2	MWC6130-L	5330-99-777-2038	Eşik Keçesi	Sill Seal	2	ADET
3	RU612253	5320-99-322-2855	Pop Perçin	Pop Rivet	18	ADET



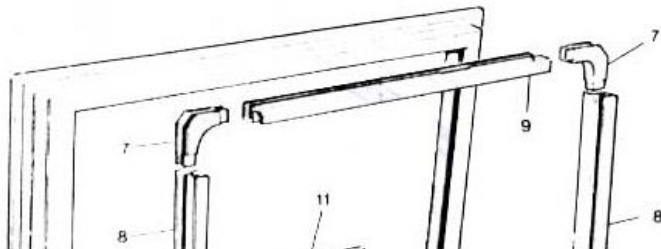
### LAND ROVER 110 YEDEK PARÇALARI

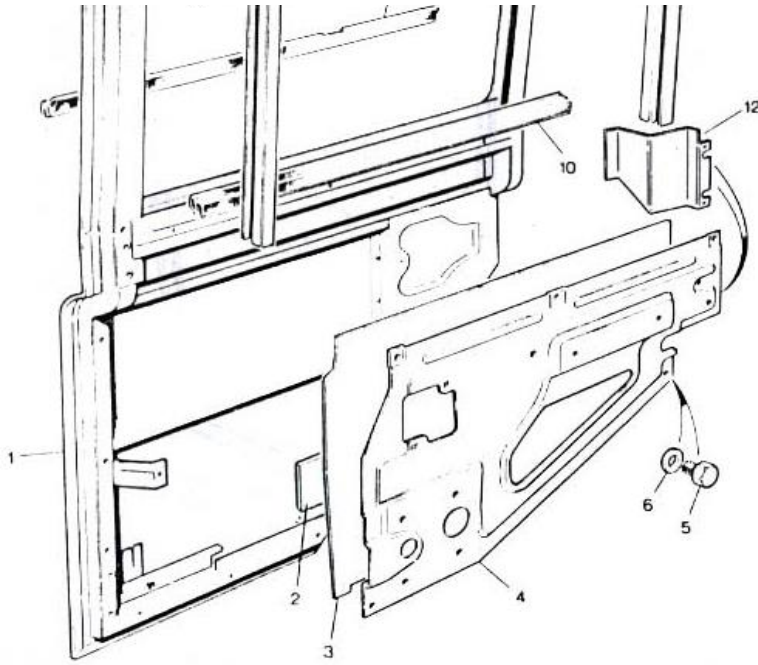
12-35

### ŞAŞI VE GÖVDE-CHASSIS AND BODY

### GÖVDE-ARKA YAN KAPI-SÖKÜK KOMPLE BODY-REAR SIDE DOOR-CLINCHED ASSEMBLY

RES. NO	PARÇA NO	NATO STOK NO	MALZEMENİN ADI	MALZEMENİN YABANCI ADI	KOMP. Mik.	DAĞ. BİRİMİ
1	MXC5194	2510-99-052-0268	Arka Yan Kapı Sökük-Sağ	Rear Side Door Clinched-RH	1	ADET
	MXC195		Arka Yan Kapı Sökük-Sol	Rear Side Door Clinched-LH	1	ADET
2	392743	5950-00-589-4465	Ses Söndürücü Takoz	Sound Deadening Pad	2	ADET
3	MWC3294		Su Perdesi	Curtain Water	2	ADET
4	MWC1602		İç Panel Sağ	Inner Panel RH	1	ADET
	MWC1603		İç Panel Sol	Inner Panel LH	1	ADET
	RTC6238		İç Panel Sağ	Inner Panel RH	1	ADET
	RTC6239		İç Panel Sol	Inner Panel LH	1	ADET
5	11000-80007-AA	5306-27-006-2699	Civata	Screw	10	ADET
6	11000-80351-AA	5310-27-006-2934	Pul	Plain Washer	10	ADET
7	201235	2510-99-778-3583	Dolgu-Köşe	Filler-Corner	4	ADET
8	MUC1651-L	2510-99-777-0326	Dolgu-Dikey	Filler-Vertical	4	ADET





9	MTC8788-LD		Dolgu-Üst Sağ	Filler-Top RH	1	ADET
	MTC8789-LD		Dolgu-Üst Sol	Filler-Top LH	1	ADET
10	MWC1900	5330-66-128-5254	Lastik İç-Sağ	Waist Seal-Inner RH	1	ADET
	MUC1323		Lastik İç-Sol	Waist Seal-Inner LH	1	ADET
	MWC1900	5330-66-128-5254	Lastik İç	Waist Seal	2	ADET
11	MUC1604	5330-66-128-5256	Lastik Dış-Sağ	Waist Seal-Outer RH	1	ADET
	MUC1605	5330-66-128-5255	Lastik Dış-Sol	Waist Seal-Outer LH	1	ADET
12	MWC4412-L		Su Önleyici Panel-Sağ	Water Deflector Panel RH	1	ADET
	MWC4413-L		Su Önleyici Panel-Sol	Water Deflector Panel LH	1	ADET

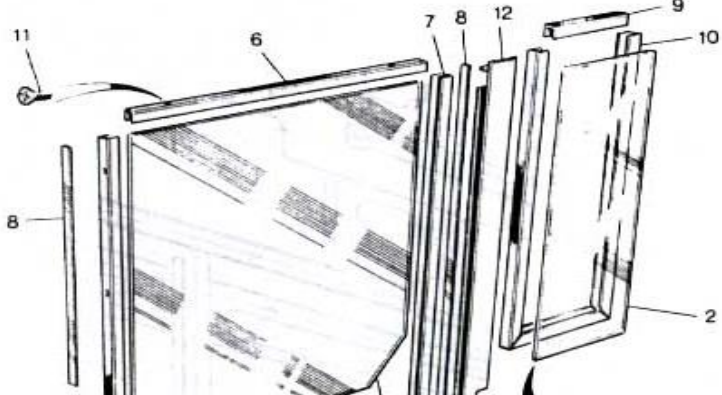
NOT1:Şasi No 470111'e kadar.  
 NOT2:1988 Model Yılına kadar.  
 NOT3:1988 Model Yılından itibaren  
 NOT4:Şasi No 308344'e kadar.  
 NOT5:Şasi No 308345'ten itibaren.

## LAND ROVER 110 YEDEK PARÇALARI

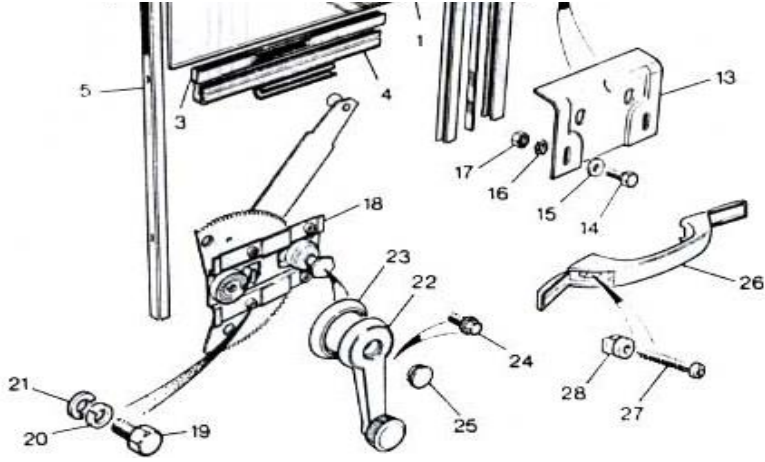
12-36

## ŞASI VE GÖVDE-CHASSIS AND BODY

### GÖVDE-ARKA YAN KAPI-CAM YÜKSELTİCİ BODY-REAR SIDE DOOR-GLASS REGULATOR



RES. NO	PARÇA NO	NATO STOK NO	MALZEMENİN ADI	MALZEMENİN YABANCI ADI	KOMP. MİK.	DAĞ. BİRİMİ
1	MTC7828-LD	2510-99-777-5314	Cam-Sürgülü-Düz	Glass-Wind Up-Clear	2	ADET
2	MTC8460-LD	2510-99-777-5286	Cam-Arka Pencere-Düz	Glass-Rear Otr-Clear	2	ADET
3	MUC1714-L	2590-99-777-5297	Cam Lastiği-Kaldırma Kanalı	Glazing Rubber-Lift Channel	2	ADET
4	MTC8478-L		Kanal-Cam İtici	Channel-Window Lift	2	ADET
5	MUC4072-L	2540-66-128-5131	Kanal-Dik Ön	Channel-Vertical Front	2	ADET
6	MTC8471-L	2590-99-777-5304	Kanal Üst	Channel-Top	2	ADET
7	MTC8472-L	2590-99-777-5303	Kanal Dik Arka	Channel-Vertical Rear	2	ADET
8	MUC4073-L	5365-66-128-5215	Şim	Shim-Channel Adjustment	2	ADET
9	MTC8790-L	2590-99-777-5285	Kanal-Arka-Üst	Channel-Rear Quarter-Top	2	ADET
10	MTC8791-L	2590-99-777-5302	Kanal-Arka-Alt	Channel-Rear Quarter-Lower	2	ADET
	71A00-67019-AA		Cam Kanalı-Kadifeli	Channel-With Velvet	4	ADET
	71A00-67020-AA		Cam Kanalı-Kadifeli	Channel-With Velvet	2	ADET
11	71A00-81320-AA		Sac Vidası	Drive Screw	16	ADET
	11000-81334-AA		Sac Vidası	Drive Screw	2	ADET
12	MUC3492-LD		Ayırma Kanalı-Sağ	Division Channel RH	1	ADET



	MUC3493-LD		Ayırma Kanalı-Sol	Division Channel LH	1	ADET
13	MWC1627-L		Braket	Bracket-Rear Qtr Retention	2	ADET
14	71A00-80002-AA	5305-99-138-4827	Civata	Screw (SH104101)	4	ADET

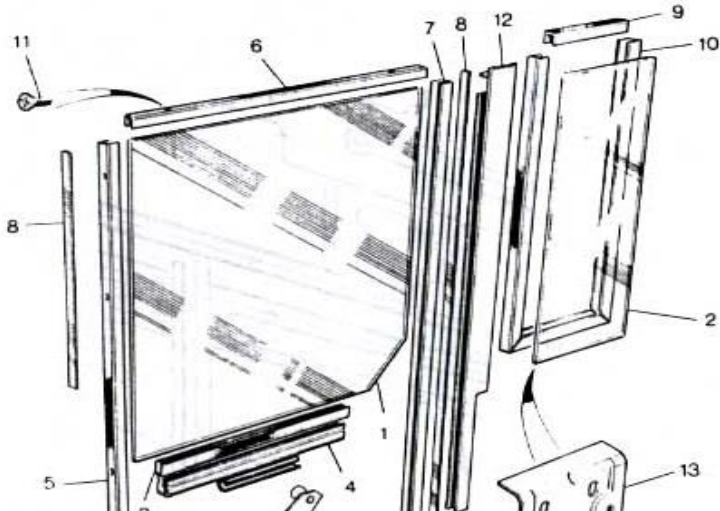
NOT:Gerektiği kadar.  
 NOT1:Nisan 1991'e kadar.  
 NOT2:Nisan 1991'den itibaren.

## LAND ROVER 110 YEDEK PARÇALARI

12-37

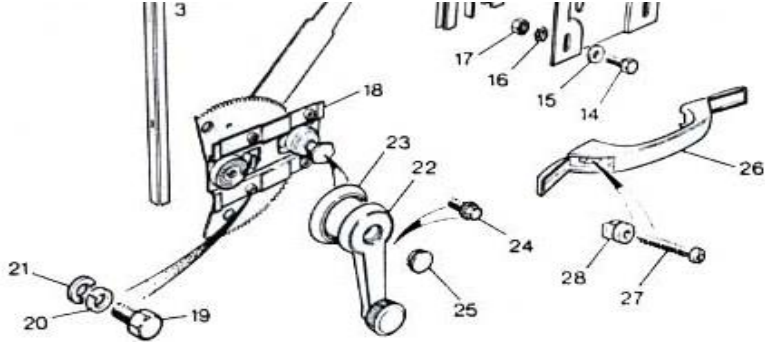
## ŞAŞI VE GÖVDE-CHASSIS AND BODY

### GÖVDE-ARKA YAN KAPI-CAM YÜKSELTİCİ BODY-REAR SIDE DOOR-GLASS REGULATOR



RES. NO	PARÇA NO	NATO STOK NO	MALZEMENİN ADI	MALZEMENİN YABANCI ADI	KOMP. MİK.	DAĞ. BİRİMİ
15	71A00-80298-AA	5310-99-122-3031	Pul	Plain Washer	4	ADET
16	WE104001L	5310-66-128-5172	Tırtıllı Pul	Shakeproof Washer	4	ADET
17	71A00-80228-AA	5310-99-122-6456	Somun	Nut (NH104041)	4	ADET
18	MUC3026	2540-66-128-5146	Cam Yükselticisi-Sağ	Window Regulator RH	1	ADET
	MUC3027	2540-66-128-5147	Cam Yükselticisi-Sol	Window Regulator LH	1	ADET
19	11000-80005-AA	5306-27-006-2698	Civata	Screw (SH106101)	8	ADET
20	11000-80301-AA	5310-27-006-2927	Rondela	Spring Washer	8	ADET
21	11000-80351-AA	5310-27-006-2934	Pul	Plain Washer	8	ADET
22	RTC3939PA	2540-99-769-4640	Cam Yükseltici Kolu	Regulator Handle	2	ADET
23	RTC3935PA	2540-99-957-4782	Çerçeve	Escutcheon	2	ADET
24	ADU5727L	5305-99-769-4643	Kilitli Vida	Powerlok Screw	2	ADET
25	RTC3940PA	2540-99-769-4641	Kapak-Cam Yükseltici Kolu	Cover-Regulator Handle	2	ADET
26	YGA451L	5340-99-767-8822	Kapı İç Tutamağı	Door Pull	2	ADET
27	71A00-81350-AA	5306-27-006-2750	Sac Vidası	Drive Screw	4	ADET
28	RTC3748	5310-99-138-7228	Dübel Somun	Lokut Nut	4	ADET





**LAND ROVER 110 YEDEK PARÇALARI**

**12-38**

**ŞASİ VE GÖVDE-CHASSIS AND BODY**

**GÖVDE-ÖN KAPI CAM KANALLARI  
BODY-FRONT DOOR-CHANNELS**

RES. NO	PARÇA NO	NATO STOK NO	MALZEMENİN ADI	MALZEMENİN YABANCI ADI	KOMP. MİK.	DAG. BİRİMİ
1	71A00-67401-AA	2510-27-006-2793	Cam-Ön Kapı	Glass-Front Door	2	ADET
2	71A00-67404-AA		Cam Kanalı-Ön Kapı/Ön Sağ	Channel-Front Door/Front RH	1	ADET
3	71A00-67405-AA		Cam Kanalı-Ön Kapı/Ön Sol	Channel-Front Door/Front LH	1	ADET
4	71A00-67406-AA		Cam Kanalı-Ön Kapı/Arka Sağ	Channel-Front Door/Rear RH	1	ADET
5	71A00-67407-AA		Cam Kanalı-Ön Kapı/Arka Sol	Channel-Front Door/Rear LH	1	ADET
6	11000-81334-AA		Sac Vidası	Drive Screw	6	ADET
7	71A00-81320-AA		Sac Vidası	Drive Screw	6	ADET

NOT:Ağustos 1993'ten itibaren.

LAND ROVER 110 YEDEK PARÇALARI

12-39

ŞAŞİ VE GÖVDE-CHASSIS AND BODY

GÖVDE-ARKA YAN KAPI-CAM KANALLARI  
BODY-REAR SIDE DOOR-CHANNELS

RES. NO	PARÇA NO	NATO STOK NO	MALZEMENİN ADI	MALZEMENİN YABANCI ADI	KOMP. MİK.	DAG. BİRİMİ
1	71A00-67402-AA		Cam-Arka Yan Kapı	Glass-Rear Side Door	2	ADET
2	71A00-67403-AA		Cam-Sabit Arka Kapı	Glass-Fixed Rear Side Door	2	ADET
3	71A00-67408-AA		Cam Kanalı- Arka Kapı/On Sağ	Channel-Rear Door/Front RH	1	ADET
4	71A00-67409-AA		Cam Kanalı-Arka Kapı/Ön Sol	Channel-Rear End Door/Front LH	1	ADET
5	71A00-67410-AA		Cam Kanalı-Arka Kapı/Arka Sağ	Channel-Rear End Door/Rear RH	1	ADET
6	71A00-67411-AA		Cam Kanalı-Arka Kapı/Arka Sol	Channel-Rear End Door/Rear LH	1	ADET
7	71A00-67412-AA		Cam Kanalı-Arka Kapı/Orta Sağ	Channel-Rear End Door/Middle RH	1	ADET
8	71A00-67413-AA		Cam Kanalı-Arka Kapı/Orta Sol	Channel-Rear End Door/Middle LH	1	ADET
9	11000-81334-AA		Sac Vidası	Drive Screw	6	ADET
10	11000-81338-AA	5306-27-006-2739	Sac Vidası	Drive Screw	2	ADET
11	71A00-81320-AA		Sac Vidası	Drive Screw	4	ADET

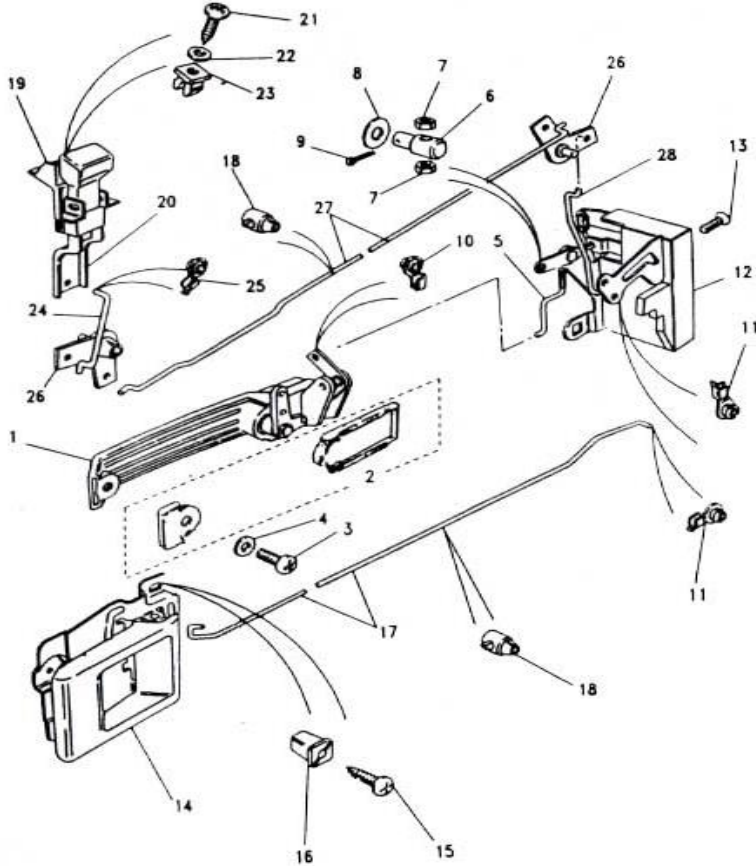
NOT:Ağustos 1993'ten itibaren.

## LAND ROVER 110 YEDEK PARÇALARI

12-40

## ŞASI VE GÖVDE-CHASSIS AND BODY

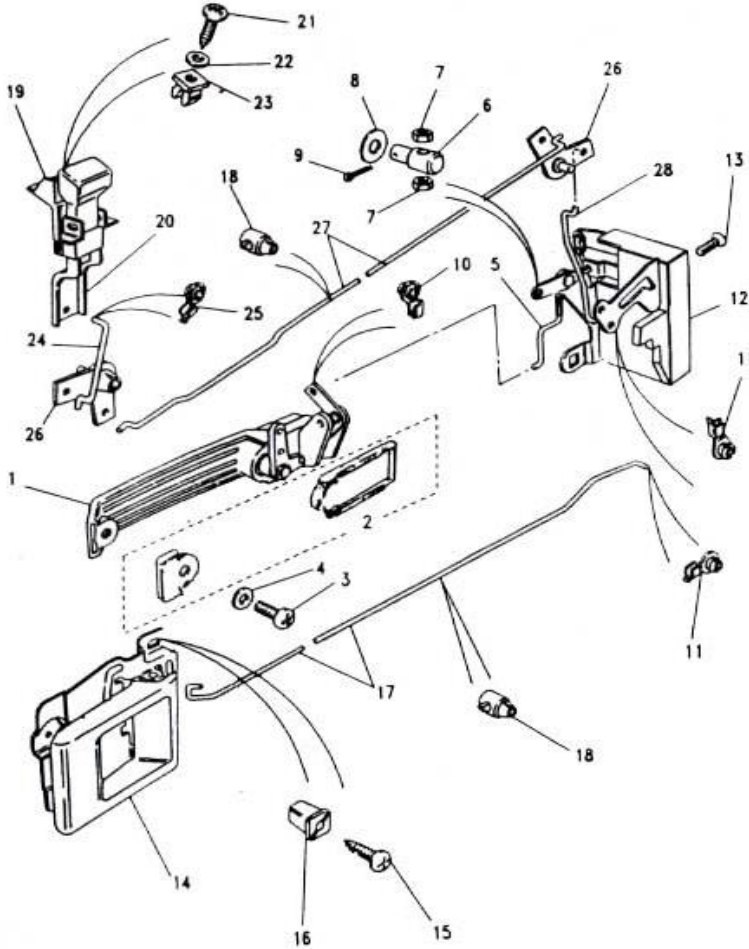
### GÖYDE-ARKA YAN KAPI-TUTUMAKLAR-KİLİTLER-BAĞLANTILAR BODY-REAR SIDE DOOR-HANDLES-LOCKS-LINKAGE



RES. NO	PARÇA NO	NATO STOK NO	MALZEMENİN ADI	MALZEMENİN YABANCI ADI	KOMP. MİK.	DAĞ. BİRİMİ
1	MXC7652	2510-99-027-6620	Kapı Dış Tutamağı Sağ	External Door Handle RH	1	ADET
	MXC7651	2510-99-151-1399	Kapı Dış Tutamağı Sol	External Door Handle LH	1	ADET
2	STC617	2510-99-346-9566	Conta-Tutamak Ön Arka	Gasket-Handle Kit	2	ADET
3	14C01-80116-AA	5305-27-006-2738	Civata	Screw Pan Head (SE105101)	4	ADET
4	71A00-80315-AA	5310-99-122-3032	Pul	Plain Washer	4	ADET
5	MWC5002	5945-99-570-6139	Sağ Bağlantı-Dış Açılmış	Link RH-Threaded	1	ADET
	MWC5001	5945-99-662-8073	Sol Bağlantı-Dış Açılmış	Link LH-Threaded	1	ADET
6	MWC4850		Ayarlayıcı	Adjuster	2	ADET
	ALR4065		Ayarlayıcı	Adjuster	2	ADET
7	71A00-80228-AA	5310-99-122-6456	Somun	Nut (NH104041)	4	ADET
8	MRC5525-L	5310-99-754-3600	Pul	Plain Washer	2	ADET
9	PS603041	5315-66-128-5248	Kopilya	Split Pin	2	ADET
	PS103101	5315-99-282-2094	Kopilya	Split Pin	2	ADET
10	634604-L	5340-66-128-5268	Bağlantı Kelepçesi	Link Clip	4	ADET
	BRC1393	2510-99-257-8478	Bağlantı Kelepçesi	Link Clip	4	ADET
11	BFP1265	5340-66-128-5267	Bağlantı Kelepçesi	Link Clip	4	ADET
12	MWC1488	2540-66-128-5130	Kapı Mandalı Sağ	Door Latch RH	1	ADET
	MWC1489	2540-66-128-5134	Kapı Mandalı Sol	Door Latch LH	1	ADET
13	12801-80089-AA	5305-99-607-6673	Civata	Screw (SF106161)	6	ADET
14	DBP5840PMA	2510-99-742-9535	Kapı Tutamağı İç-Sağ	Internal Door Handle RH	1	ADET
	DBR5841PMA		Kapı Tutamağı İç-Sol	Internal Door Handle LH	1	ADET
15	MUC3394	5305-66-128-5246	Sac Vidası	Drive Screw	4	ADET

NOT1:Şasi No KA930182'ye kadar.  
NOT2:Şasi No KA930182'den itibaren.  
NOT3:Şasi No FA446199'a kadar.  
NOT4:Şasi No FA446200'den itibaren.  
NOT5:Şasi No HA904361'e kadar.  
NOT6:Şasi No HA904361'den itibaren.

## LAND ROVER 110 YEDEK PARÇALARI

GÖVDE-ARKA YAN KAPI-TUTUMAKLAR-KİLİTLER-BAĞLANTILAR  
BODY-REAR SIDE DOOR-HANDLES-LOCKS-LINKAGE

12-41

## ŞASI VE GÖVDE-CHASSIS AND BODY

RES. NO	PARÇA NO	NATO STOK NO	MALZEMENİN ADI	MALZEMENİN YABANCI ADI	KOMP. MİK.	DAĞ. BİRİMİ
16	MWC1950	5310-66-128-5213	Dübel Somun	Lokut Nut	4	ADET
17	MWC1492	3040-99-147-1181	Bağlantı-Sağ Kolu Kilide	Link RH-Handle to Lock	1	ADET
	MWC1493	3040-99-702-2370	Bağlantı-Sol Kolu Kilide	Link LH-Handle to Lock	1	ADET
18	CRC1250L	2530-99-830-2724	Kelepçe	Support Clip	4	ADET
19	JRC1775	5340-99-735-0229	Kilit Butonu	Sill Button	2	ADET
20	BRC8965PMA	2590-99-300-8025	Yuva	Housing	2	ADET
21	11000-81346-AA	5306-27-006-2740	Sac Vidası	Drive Screw	4	ADET
22	71A00-80298-AA	5310-99-122-3031	Pul	Plain Washer	4	ADET
23	MWC1950	5310-66-128-5213	Dübel Somun	Lokut Nut	4	ADET
24	MUC8364	3040-99-083-3089	Ön Bağlantı	Front Link	2	ADET
25	634604-L	5340-66-128-5268	Bağlantı Kelepçesi	Link Clip	2	ADET
	BRC1393	2510-99-257-8478	Bağlantı Kelepçesi	Link Clip	2	ADET
26	DZA1435L	3040-66-128-5132	Manivela Çubuğu	Bell Crank Lever	4	ADET
27	MUC8365	3040-99-850-0401	Ara Bağlantı	Intermediate Link	2	ADET
28	MWC1485		Arka Bağlantı	Rear Link	2	ADET

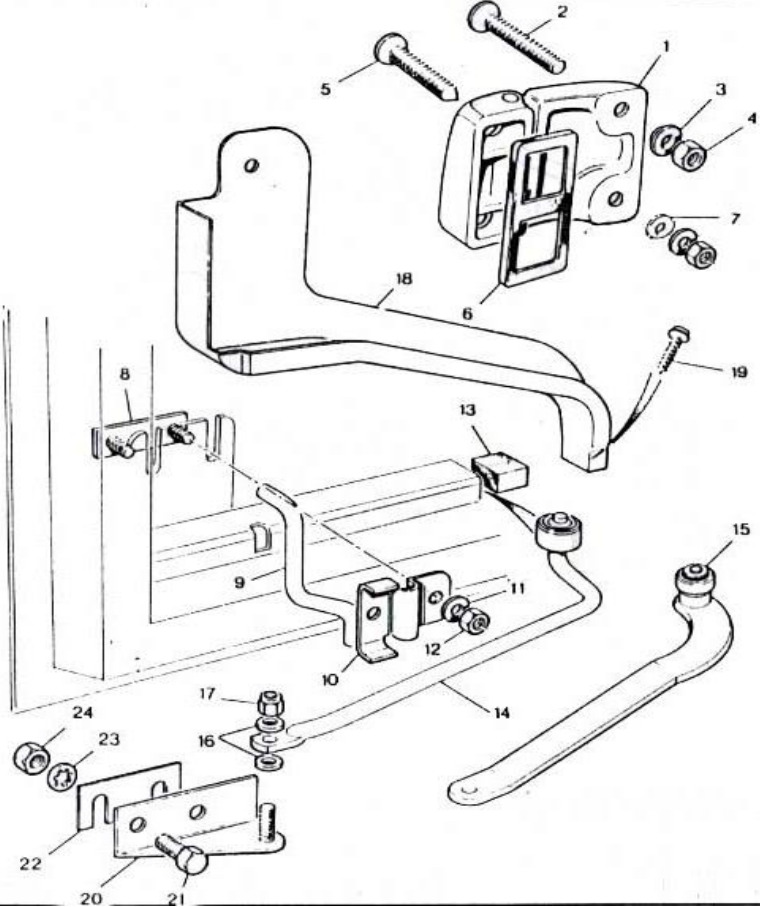
NOT1:Şasi No HA904361'e kadar.  
NOT2:Şasi No HA904362'den itibaren.

## LAND ROVER 110 YEDEK PARÇALARI

12-42

## ŞASI VE GÖVDE-CHASSIS AND BODY

**GÖVDE-ARKA YAN KAPI-MENTEŞELER VE KAPI KUMANDALARI**  
**BODY-REAR SIDE DOOR-HINGES AND DOOR CHECK**



RES. NO	PARÇA NO	NATO STOK NO	MALZEMENİN ADI	MALZEMENİN YABANCI ADI	KOMP. MİK.	DAG. BİRİMİ
1	347362-LD	2510-99-824-8458	Kapı Menteşesi-Sağ	Door Hinge-RH	2	ADET
	347363-LD	2510-99-824-8459	Kapı Menteşesi-Sol	Door Hinge-LH	2	ADET
	MXC8282-LD	2510-99-824-8458	Kapı Menteşesi-Sağ	Door Hinge-RH	2	ADET
	MXC8283-LD	2510-99-824-8459	Kapı Menteşesi-Sol	Door Hinge-LH	2	ADET
2	MRC2762		Civata-Menteşeyi Kapıya	Screw-Hinge to Door	8	ADET
	MWC1899	5305-66-128-5090	Civata-Menteşeyi Kapıya	Screw-Hinge to Door	8	ADET
	MWC1898-L	5365-99-902-6925	Ara Parça	Packer	4	ADET
3	MRC1980	2510-99-829-7487	Naylon Pul	Nylon Washer	8	ADET
4	NH605041L	5310-99-136-1515	Somun	Nut	8	ADET
5	AFU1036	5305-99-734-5815	Civata	Screw	8	ADET
	MXC1436		Civata-Üst	Screw-Hinge to Body-Upper	4	ADET
	AFU1036	5305-99-734-5815	Civata-Alt	Screw-Hinge to Body-Lower	4	ADET
6	347369-L	5330-99-824-8467	Pul	Seating Washer	4	ADET
7	MUC9110		Somunlu Sac	Nut Plate	4	ADET
8	MUC1961-L	5306-99-024-8863	Civata Sacı	Bolt Plate	2	ADET
9	MUC6158	2590-99-777-5288	Gerdirmе Çubuđu-Sađ	Torsion Bar-RH	1	ADET
	MUC6159	2590-99-777-5289	Gerdirmе Çubuđu-Sol	Torsion Bar-LH	1	ADET
	ALR2318	2590-99-301-0069	Gerdirmе Çubuđu-Sađ	Torsion Bar-RH	1	ADET
	ALR2319	2590-99-777-5289	Gerdirmе Çubuđu-Sol	Torsion Bar-LH	1	ADET
10	MUC6157	2590-99-777-5287	Braket	Pivot Bracket	2	ADET
	MWC6450-L	3040-99-301-7166	Braket	Pivot Bracket	2	ADET
11	11000-80351-AA	5310-27-006-2934	Pul	Plain Washer	4	ADET
12	71A00-80201-AA	5310-27-006-2772	Somun	Nut (NH106041)	4	ADET

NOT1:Nisan 1991'e kadar.  
NOT2:Nisan 1991'den itibaren.  
NOT3:Alternatif malzemeler.  
NOT4:Şasi No JA906550'ye kadar.  
NOT5:Şasi No JA906551'den itibaren.  
NOT6:1988 Model Yılı deđişikliklerine kadar.  
NOT7:1988 Model Yılı Deđişikliklerinden itibaren.

**LAND ROVER 110 YEDEK PARÇALARI**

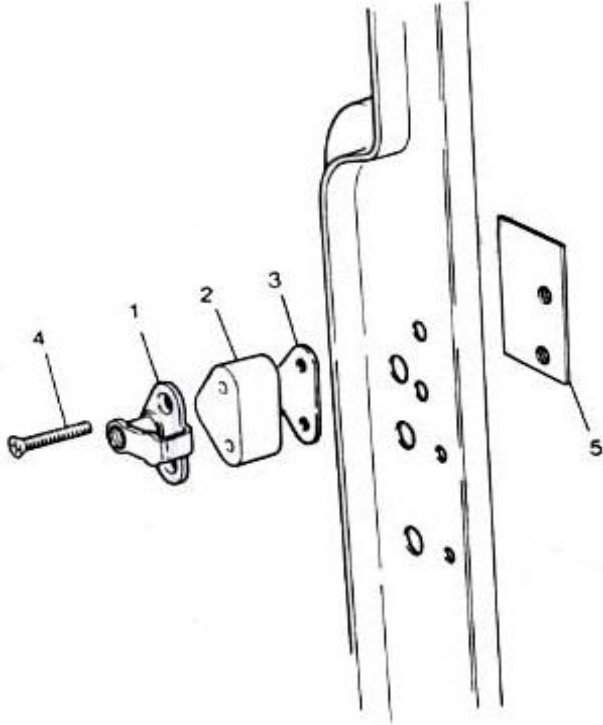
**12-43**

**ŞASI VE GÖVDE-CHASSIS AND BODY**

**GÖVDE-ARKA YAN KAPI-KİLİT KARŞILIđI**

RES. NO	PARÇA NO	NATO STOK NO	MALZEMENİN ADI	MALZEMENİN YABANCI ADI	KOMP. MİK.	DAG. BİRİMİ
1	MUC8526-L	5340-99-396-0485	Kilit Karşılıđı	Striker	2	ADET

2	MUC7809-L	5365-99-876-0172	Ara Parça	Spacer	2	ADET
3	MWC3148-L	5365-99-950-2663	Ara Parça	Packer		ADET
4	71A00-81333-AA	5305-99-122-3014	Sac Vidası	Drive Screw	4	ADET
5	MWC1622-LD	5310-99-547-8669	Somunlu Sac	Nut Plate	2	ADET



NOT:Gerektiği kadar.

### LAND ROVER 110 YEDEK PARÇALARI

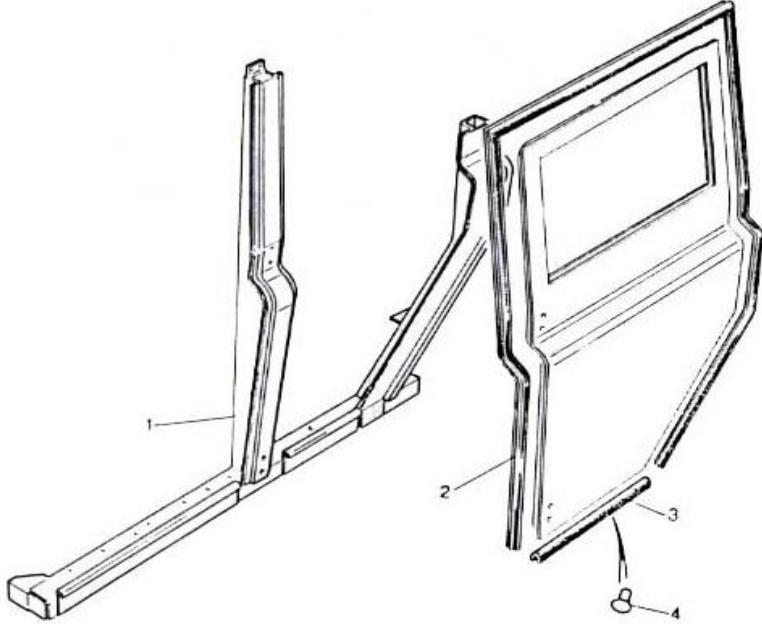
12-44

### ŞAŞİ VE GÖVDE-CHASSIS AND BODY

### GÖVDE-ARKA YAN KAPI-ÇERÇEVE VE LASTİKLERİ BODY-REAR SIDE DOOR-FRAME AND SEALS

RES. NO	PARÇA NO	NATO STOK NO	MALZEMENİN ADI	MALZEMENİN YABANCI ADI	KOMP. Mik.	DAĞ. Birimi
1	MWC3336	2510-99-314-5840	Kapı Çerçevesi-Sağ	Door Frame RH	1	ADET
	MWC3337		Kapı Çerçevesi-Sol	Door Frame LH	1	ADET
2	MWC1082-LD	5330-66-128-5259	Arka Yan Kapi LastiğiSağ	Rear Side Door Seal RH	1	ADET
	MWC1083-LD	5330-99-911-7012	Arka Yan Kapi Lastigi Sol	Rear Side Door Seal LH	1	ADET

3	MWC6128-L	5330-66-128-5258	Eşik Lastiği Sağ	Sill Seal RH	1	ADET
	MWC6129-L	5330-66-128-5257	Eşik Lastiği Sol	Sill Seal LH	1	ADET
4	RU612253	5320-99-322-2855	Perçin	Rivet	8	ADET



### LAND ROVER 110 YEDEK PARÇALARI

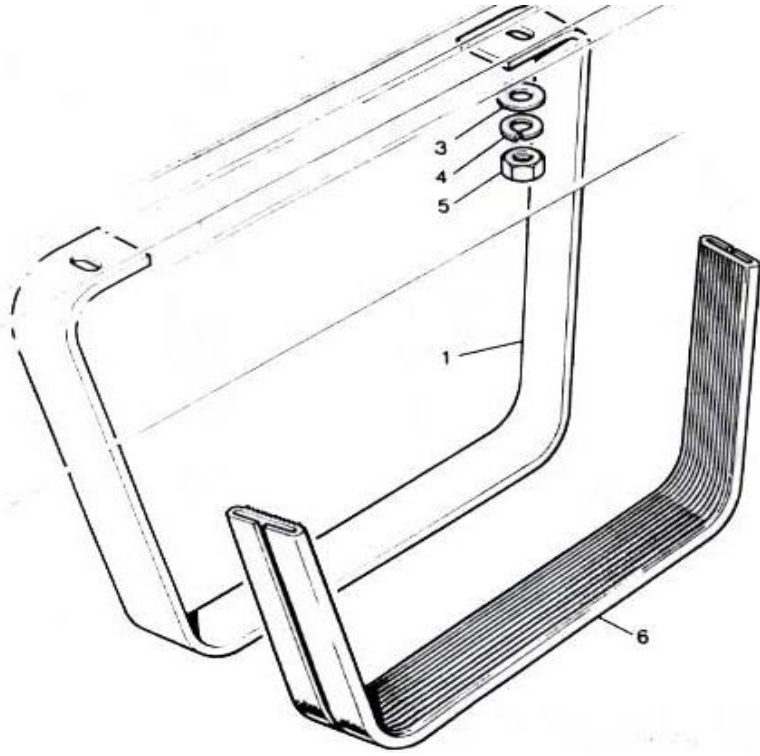
12-45

### ŞAŞI VE GÖVDE-CHASSIS AND BODY

GÖVDE-YAN BASAMAK-ÖN VE ARKA YAN KAPILAR  
BODY-STIRRUP STEP-FRONT AND REAR SIDE  
DOORS

RES. NO	PARÇA NO	NATO STOK NO	MALZEMENİN ADI	MALZEMENİN YABANCI ADI	KOMP. MİK.	DAĞ. BİRİMİ
1	71A00-70270-AB	2540-27-006-2879	Basamak Yan Komple	Strirrup StepAaaembly	4	ADET
	MTC2138-LD		Yan Basamak	Stirrup Step	1	ADET
2	71A00-81332-AA	5305-27-006-2733	Civata	Bolt (SE108251)	8	ADET
3	71A00-80323-AA	5310-99-138-7965	Pul	Plain Washer	8	ADET
4	11000-80302-AA	5310-27-006-2928	Rondela	Spring Washer	8	ADET
5	71A00-80203-AA	5310-27-006-2774	Somun	Nut (NH108041)	8	ADET





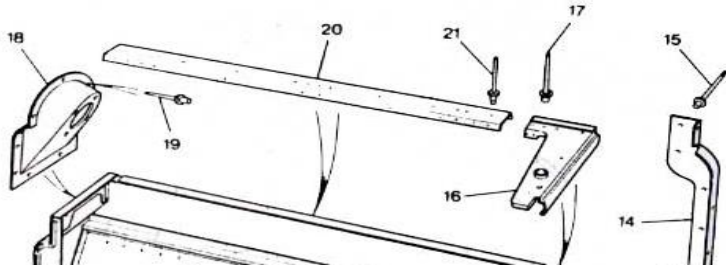
NOT:Askeri araçlarda 2 adettir.Adetler 4 basamak içindir.

### LAND ROVER 110 YEDEK PARÇALARI

12-46

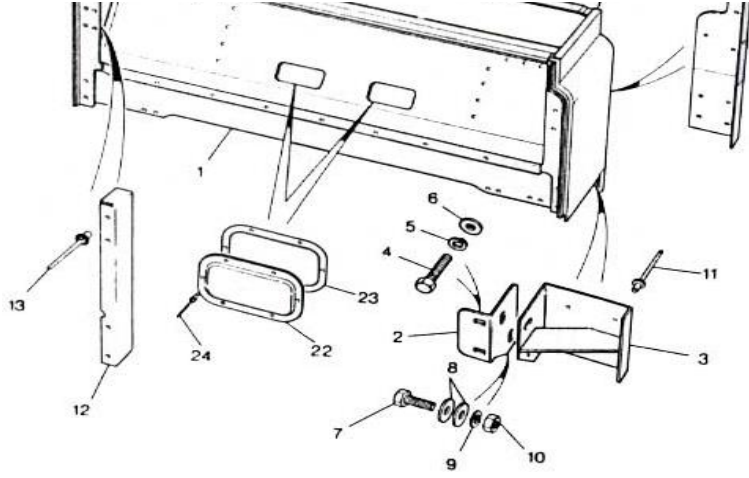
### ŞAŞİ VE GÖVDE-CHASSIS AND BODY

#### GÖVDE-KABİN ARKA ALT KOMPLE BODY-CAB BASE ASSEMBLY



RES. NO	PARÇA NO	NATO STOK NO	MALZEMENİN ADI	MALZEMENİN YABANCI ADI	KOMP. Mik.	DAĞ. BİRİMİ
1	MUC3318	2590-99-254-7448	Basamak Lastiği	Cab Base Assembly	1	ADET
	MUC3340	2590-99-254-7449	Basamak Lastiği	Cab Base Assembly	1	ADET
2	MTC2106	5340-99-788-8143	Bağlantı Köşebenti-Sağ	Mounting Angle RH	1	ADET
	MTC2107	5340-99-788-8144	Bağlantı Köşebenti-Sol	Mounting Angle LH	1	ADET
3	MTC2224	5340-99-788-8148	Takviye Köşebenti-Sağ	Reinforcing Angle RH	1	ADET
	MTC2225	5340-99-788-8149	Takviye Köşebenti-Sol	Reinforcing Angle LH	1	ADET
4	11000-80007-AA	5306-27-006-2699	Civata	Screw (SH106161)	4	ADET
5	11000-80301-AA	5310-27-006-2927	Rondela	Spring Washer	4	ADET
6	11000-80351-AA	5310-27-006-2934	Pul	Plain Washer	4	ADET
7	11000-80007-AA	5306-27-006-2699	Civata	Screw (SH106161)	4	ADET
8	MRC5527-LD	5310-99-977-1694	Pul	Plain Washer	8	ADET
9	11000-80301-AA	5310-27-006-2927	Rondela	Spring Washer	4	ADET





10	71A00-80201-AA	5310-27-006-2772	Somun	Nut (NH106041)	4	ADET
11	78248	5320-99-970-3518	Perçin	Rivet	8	ADET
12	MWC1820	2510-99-453-8076	Takviye-Sağ	Stiffener-Door Pillar RH	1	ADET
	MWC1821	2510-99-453-8077	Takviye-Sol	Stiffener-Door Pillar LH	1	ADET
13	AFU1350	5320-99-788-7398	Civata	Monobolt	4	ADET
14	MUC8756		Köşebent-Sol	Corner Protection Angle-LH	1	ADET
	MUC8755		Köşebent-Sağ	Corner Protection Angle-RH	1	ADET
	MUC9551		Köşebent-Sağ	Corner Protection Angle-RH	1	ADET

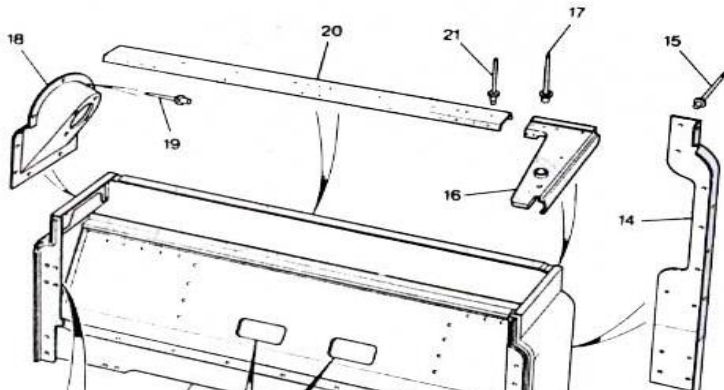
NOT1:İlave yakıt tankı olan araçlar.  
NOT2:İlave yakıt tankı olmayanlar için.

## LAND ROVER 110 YEDEK PARÇALARI

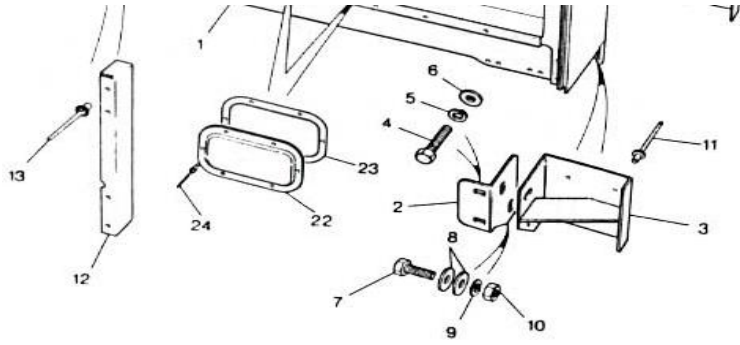
12-47

## ŞAŞİ VE GÖVDE-CHASSIS AND BODY

### GÖVDE-KABİN ARKA ALT KOMPLE BODY-CAB BASE ASSEMBLY



RES. NO	PARÇA NO	NATO STOK NO	MALZEMENİN ADI	MALZEMENİN YABANCI ADI	KOMP. Mik.	DAĞ. Birimi
15	78248	5320-99-970-3518	Perçin	Rivet	26	ADET
16	MTC5193	2590-99-788-8220	Köşe Braketi Sol	Corner Capping LH	1	ADET
	MUC8733		Köşe Braketi Sol	Corner Capping LH	1	ADET
	MUC8732		Köşe Braketi Sağ	Corner Capping RH	1	ADET
17	78248	5320-99-970-3518	Perçin	Rivet	8	ADET
18	330366	2910-99-850-1312	Boğaz-Yan Yakıt Doldurma	Cowl-Side Fuel Filler	1	ADET
	MUC9158	2510-66-128-8510	Boğaz-Yan Yakıt Doldurma	Cowl-Side Fuel Filler	1	ADET
19	78248	5320-99-970-3518	Perçin	Rivet	9	ADET
20	330245	2510-99-849-8687	Kapak	Capping-Bulkhead	1	ADET
	MUC8735		Kapak	Capping-Bulkhead	1	ADET
21	RU612373L	5320-99-120-9002	Perçin	Rivet	39	ADET
22	MUC6519	5340-99-517-3500	Kapak Sacı	Cover Plate-Cab Base	2	ADET
23	MWC2129	5330-99-060-4165	Conta	Gasket	2	ADET
24	78248	5320-99-970-3518	Perçin	Rivet	12	ADET



NOT1:İlave yakıt tankı olan araçlar.  
 NOT2:İlave yakıt tankı olmayanlar için.  
 NOT3:Galvanizli-Boyaya uygun olmayan.  
 NOT4:Galvanizli ve boyaya hazırlanmış.

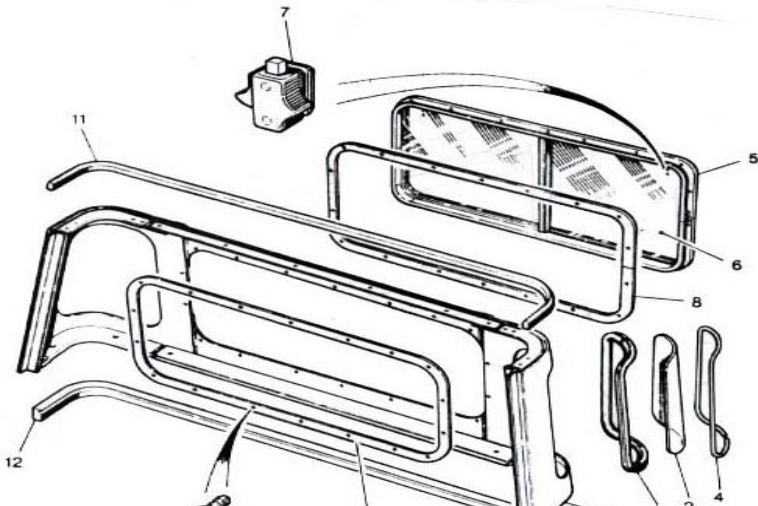
## LAND ROVER 110 YEDEK PARÇALARI

12-48

## ŞAŞI VE GÖVDE-CHASSIS AND BODY

### GÖVDE-KABİN ARKA PANEL BODY-CAB REAR PANEL

RES. NO	PARÇA NO	NATO STOK NO	MALZEMENİN ADI	MALZEMENİN YABANCI ADI	KOMP. MIK.	DAG. BİRİMİ
1	MTC5198		Pikap Arka Panel Komple	Cab Rear Panel Complete Assy	1	ADET
	RTC6222		Arka Panel Komple	Rear Panel Assembly	1	ADET
2	MTC3461	2510-99-734-4518	Yan Çeyrek Cam Sağ	Quarter Light RH	1	ADET
	MTC3462	2510-99-735-0704	Yan Çeyrek Cam Sol	Quarter Light LH	1	ADET
3	330790	9320-99-874-1798	Cam Lastiği	Weatherstrip	2	ADET
4	330791	9320-99-849-1799	Dolgu Lastiği	Fillerstrip	2	ADET
5	MTC5197	2510-99-788-8222	Arka Pencere Komple	Rear Window Assembly	1	ADET
6	MTC6544	2510-99-734-4514	Kayıcı Cam	Sliding Glass	2	ADET
7	AEU2805	5340-99-734-4517	Mandal Komple-Sol	Catch Assembly-LH	1	ADET
	AEU2806	5340-99-734-4516	Mandal Komple-Sağ	Catch Assembly-RH	1	ADET
8	MTC6233	5330-99-734-4515	Lastik	Seal	1	ADET
	MWC7641		Lastik	Seal	1	ADET
9	MTC6232	2510-99-788-8246	Çerçeve	Finisher	1	ADET
10	AS604044	5305-99-788-7578	Civata-Pencereyi Panele	Screw-Window to Panel	18	ADET
11	334614	5330-99-874-1818	Lastik-Panelli Tavana	Seal-Panel to Roof	1	ADET
12	333486	5330-99-798-1562	Lastik-Panelli Tabana	Seal-Panel to Base	1	ADET
	MTC7513	9390-99-788-8275	Lastik Çerçeve	Edging Strip Finisher		ADET



1  
9

NOT:Gerektiđi kadar.  
NOT1:Şasi No 307407'ye kadar.  
NOT2:Şasi No 307408'den sonra.

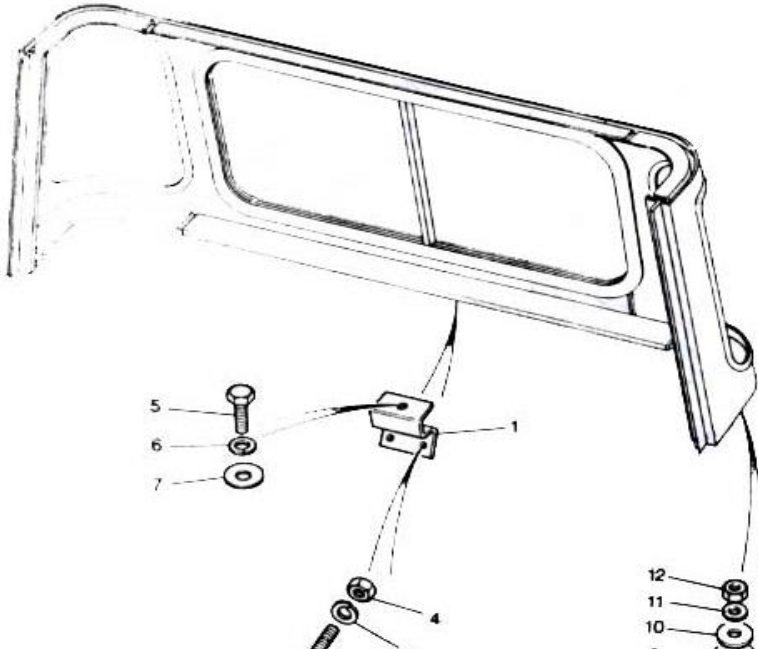
## LAND ROVER 110 YEDEK PARÇALARI

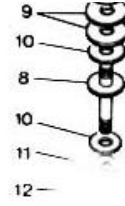
12-49

## ŞASI VE GÖVDE-CHASSIS AND BODY

### GÖVDE-ARKA PANEL BAĞLANTILARI BODY-REAR PANEL FIXINGS

RES. NO	PARÇA NO	NATO STOK NO	MALZEMENİN ADI	MALZEMENİN YABANCI ADI	KOMP. Mik.	DAG. Birimi
1	336577	5935-14-422-7335	Bađlantı Braketi	Mounting Bracket	4	ADET
2	11000-80009-AA	5306-27-006-2701	Civata	Screw(SH106251)	8	ADET
3	11000-80301-AA	5310-27-006-2927	Rondela	Spring Washer	8	ADET
4	71A00-80201-AA	5310-27-006-2772	Somun	Nut (NH106041)	8	ADET
5	SH607091L	5305-99-132-6790	Civata	Screw	4	ADET
6	WM600071L	5310-99-891-6330	Rondela	Spring Washer	4	ADET
7	4580	5310-99-138-0321	Pul	Plain Washer	4	ADET
8	MUC8928		Saplama	Mounting Stud	2	ADET
9	WP185L	5310-99-136-5496	Pul	Plain Washer	4	ADET
10	71A00-80328-AA	5310-27-006-2951	Pul	Plain Washer	6	ADET
11	11000-80302-AA	5310-27-006-2928	Rondela	Spring Washer	4	ADET
12	71A00-80203-AA	5310-27-006-2774	Somun	Nut (NH108041)	4	ADET





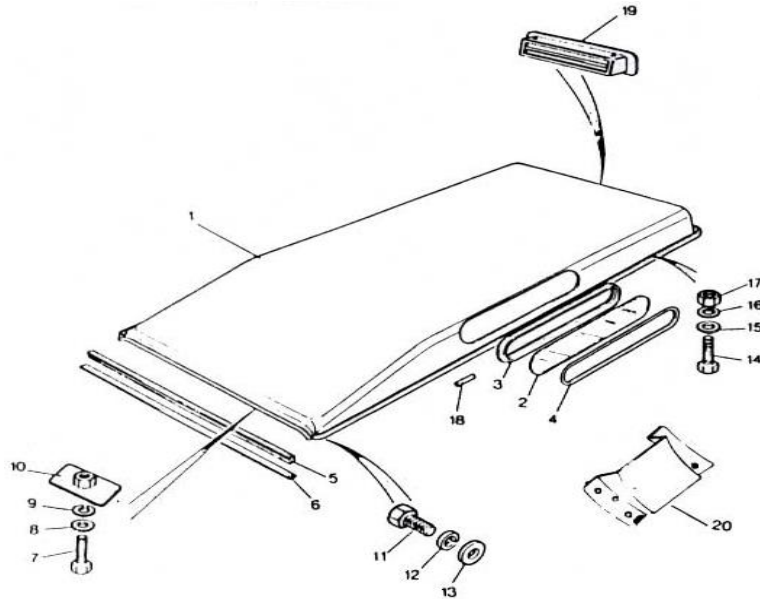
## LAND ROVER 110 YEDEK PARÇALARI

12-50

## ŞAŞİ VE GÖVDE-CHASSIS AND BODY

### GÖVDE-TAVAN

RES. NO	PARÇA NO	NATO STOK NO	MALZEMENİN ADI	MALZEMENİN YABANCI ADI	KOMP. MİK.	DAG. BİRİMİ
1	MWC6698	2510-99-751-5272	Tavan-İçten Takviyeli	Roof-Internal Stiffeners	1	ADET
2	MTC3474-LM	2510-99-797-6085	Tavan Yan Camı	Sidelight Glass	2	ADET
3	302177-LD	9320-99-849-8234	Cam Lastiği	Weather Strip	2	ADET
4	302178-L	9320-99-849-8235	Dolgu Lastiği	Filler Strip	2	ADET
5	MTC4994	5330-66-128-5202	Lastik İç Tavanı-Ön Cama	Seal Inner-Roof to Windscreen	1	ADET
6	MTC6568-L	9320-66-128-5193	Lastik Dış Tavanı-Ön Cama	Seal Quter-Roof to Windscreen	1	ADET
	MUC6400-LD	9330-99-254-7461	Lastik-Tavanı On Cama(Köşeden)	Seal Roof to Windscreen	2	ADET
7	11000-80009-AA	5306-27-006-2701	Civata	Screw(SH106251)	6	ADET
8	11000-80351-AA	5310-27-006-2934	Pul	Plain Washer	6	ADET
9	11000-80301-AA	5310-27-006-2927	Rondela	Spring Washer	6	ADET
10	MTC3203-L	5310-99-788-8167	Somunlu Sac	Nut Plate	6	ADET
11	11000-80009-AA	5306-27-006-2701	Civata	Screw	2	ADET
	ALR1443		Civata	Screw	2	ADET
12	11000-80351-AA	5310-27-006-2934	Pul	Plain Washer	2	ADET
13	11000-80301-AA	5310-27-006-2927	Rondela	Spring Washer	2	ADET
	79246	5310-99-822-1324	Civata	Screw (WL106001)	2	ADET
14	11000-80008-AA	5306-27-006-2700	Civata	Screw(SH106201)	28	ADET
15	11000-80351-AA	5310-27-006-2934	Pul	Plain Washer	28	ADET
16	11000-80301-AA	5310-27-006-2927	Rondela	Spring Washer	28	ADET
17	71A00-80201-AA	5310-27-006-2772	Somun	Nut(NH106041)	28	ADET
18	334615-L		Lastik	Seal-'BC' Post to Contrail	2	ADET
19	MWC3141	2540-99-256-4627	Tavan Havalandırması-Siyah	Roof Ventilator-Black	2	ADET
20	71A00-72063-AA		Braket-Trim Tutucu	Bracket	2	ADET



NOT1:Şasi No HA903402'ye kadar.  
NOT2:Şasi No HA903403'ten itibaren.  
NOT3:Şasi No FA441847'ye kadar.

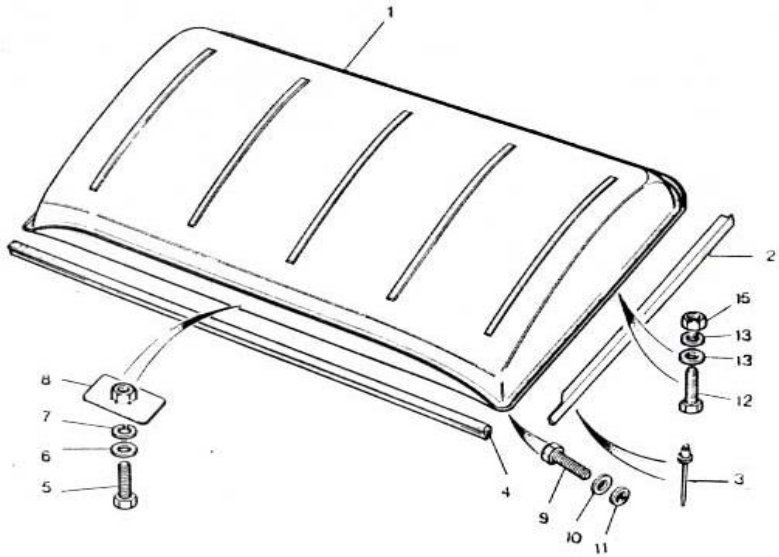
## LAND ROVER 110 YEDEK PARÇALARI

12-51

## ŞASI VE GÖVDE-CHASSIS AND BODY

### GÖVDE-TAVAN-KABİN

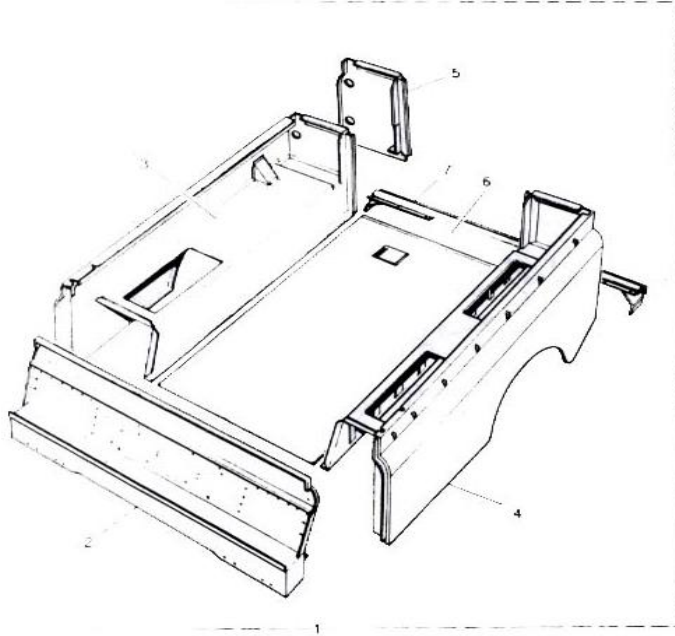
RES. NO	PARÇA NO	NATO STOK NO	MALZEMENİN ADI	MALZEMENİN YABANCI ADI	KOMP. MİK.	DAĞ. BİRİMİ
1	MWC6055		Tavan	Roof	1	ADET
2	MUC9204		Lastik Tutucu-Sağ	Seal Retainer RH	1	ADET
	MUC9205		Lastik Tutucu-Sol	Seal Retainer LH	1	ADET
3	78248	5320-99-970-3518	Perçin-Tutucuyu Tavana	Rivet-Retainer to Roof	10	ADET
4	MTC4994	5330-99-788-8218	Lastik-İç Tavanı Ön Cama	Seal-Inner-Roof to Windscreen	1	ADET
	MTC6568	9330-99-788-8253	Lastik-Dış Tavanı Ön Cama	Seal-Outer-Roof to Windscreen	1	ADET
	MUC6400-LD	9330-99-254-7461	Lastik-Tavanı Ön Cama	Seal-Roof to Windscreen	2	ADET
5	11000-80007-AA	5306-27-006-2699	Civata	Screw (SH106161)	6	ADET
6	11000-80351-AA	5310-27-006-2934	Pul	Plain Washer	6	ADET
7	11000-80301-AA	5310-27-006-2927	Rondela	Spring Washer	6	ADET
8	MTC3203-L	5310-99-788-8167	Somunlu Sac	Nut Plate	6	ADET
9	11000-80007-AA	5306-27-006-2699	Civata	Screw	2	ADET
10	11000-80351-AA	5310-27-006-2934	Pul	Plain Washer	2	ADET
11	11000-80301-AA	5310-27-006-2927	Rondela	Spring Washer	2	ADET
12	11000-80008-AA	5306-27-006-2700	Civata	Screw (SH106201)	6	ADET
13	11000-80351-AA	5310-27-006-2934	Pul	Plain Washer	12	ADET
14	11000-80301-AA	5310-27-006-2927	Rondela	Spring Washer	12	ADET
15	71A00-80201-AA	5310-27-006-2772	Somun	Nut (NH106041)	12	ADET



## LAND ROVER 110 YEDEK PARÇALARI

12-52

## ŞAŞI VE GÖVDE-CHASSIS AND BODY

GÖVDE-ARKA ALT GÖVDE-PİKAP  
BODY-REAR-BODY LOWER-PICK UP

RES. NO	PARÇA NO	NATO STOK NO	MALZEMENİN ADI	MALZEMENİN YABANCI ADI	KOMP. Mik.	DAG. BİRİMİ
1	MUC3958	2510-99-301-7133	ARKA ALT GÖVDE KOMPLE	REAR BODY LOWER ASSEMBLY	1	ADET
	RTC3705		ARKA ALT GÖVDE KOMPLE	REAR BODY LOWER ASSEMBLY	1	ADET
	MUC3971		ARKA ALT GÖVDE KOMPLE	REAR BODY LOWER ASSEMBLY	1	ADET
	MUC3972		ARKA ALT GÖVDE KOMPLE	REAR BODY LOWER ASSEMBLY	1	ADET
2	RTC6246	2590-99-300-7621	Ön Panel	Front Panel	1	ADET
3	MUC3964	2590-99-850-3785	Yan Gövde ve Çamurluk Sağ	Bodyside & Wheelarch RH	1	ADET
	RTC5707		Yan Gövde ve Çamurluk Sağ	Bodyside & Wheelarch RH	1	ADET
	MUC3974	2510-99-126-4206	Yan Gövde ve Çamurluk Sağ	Bodyside & Wheelarch RH	1	ADET
	MUC9136		Yan Gövde ve Çamurluk Sağ	Bodyside & Wheelarch RH	1	ADET
	MUC3963	2510-99-786-9432	Yan Gövde ve Çamurluk Sol	Bodyside & Wheelarch LH	1	ADET
4	MUC3302	2510-99-168-5854	Gövde Paneli Sağ	Bodyside Panel RH	1	ADET
	RTC5710		Gövde Paneli Sağ	Bodyside Panel RH	1	ADET
	MUC3309		Gövde Paneli Sağ	Bodyside Panel RH	1	ADET
	RTC6257		Gövde Paneli Sağ	Bodyside Panel RH	1	ADET
	MUC3303	2590-99-978-2724	Gövde Paneli Sol	Bodyside Panel LH	1	ADET
5	MTC7980	2510-99-777-5293	Arka Uç Panel Sağ	Rear End Panel RH	1	ADET
	MTC7981	2510-99-776-9042	Arka Uç Panel Sol	Rear End Panel LH	1	ADET
6	MUC3962	2510-99-360-4051	Taban Sacı	Floor Plate	1	ADET
7	330271	2510-99-849-8693	Arka Bağlantı Köşebentli	rear Mounting Angle	1	ADET
	78248	5320-99-970-3518	Perçin	Rivet		ADET
	RU612373L	5320-99-120-9002	Perçin	Rivet		ADET

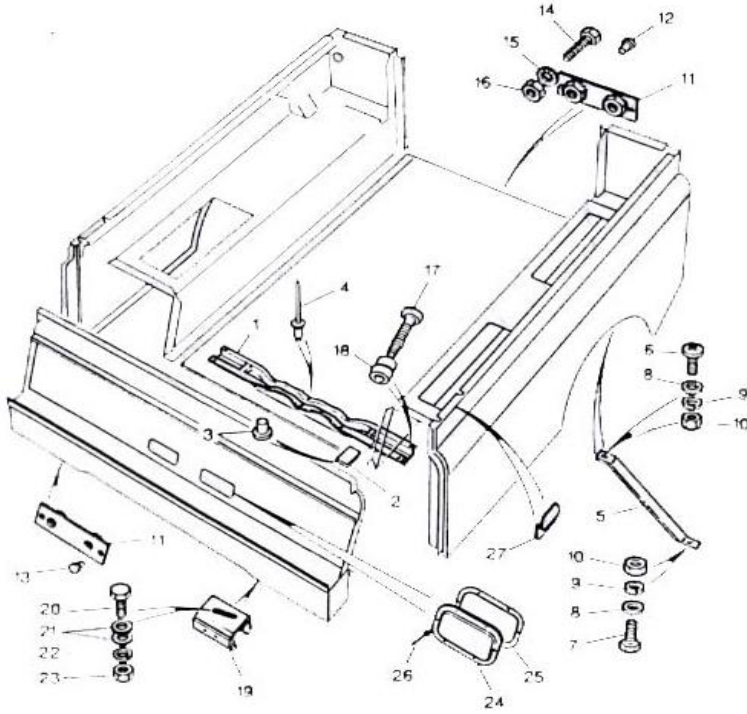
NOT1:Arka yakıt doldurma aparatı olan.  
NOT2:Tente şeritli.  
NOT3:Gerektiği kadar.

## LAND ROVER 110 YEDEK PARÇALARI

12-53

## ŞAŞI VE GÖVDE-CHASSIS AND BODY

## GÖVDE-ARKA ALT GÖVDE-PİKAP



RES. NO	PARÇA NO	NATO STOK NO	MALZEMENİN ADI	MALZEMENİN YABANCI ADI	KOMP. MİK.	DAĞ. BİRİMİ
1	MUC8949	2510-99-831-4031	Travers	Crossmember	6	ADET
2	332582-LD	2510-99-850-1665	Bağlantı Takozu	Mounting Pad	12	ADET
3	RU612373L	5320-99-120-9002	Perçin	Rivet	24	ADET
4	RU612253	5320-99-322-2855	Perçin	Rivet	36	ADET
5	MRC6027	2590-99-375-3535	Destek-Sağ	Stay RH	1	ADET
	MRC6028	2590-99-168-8311	Destek-Sol	Stay LH	1	ADET
6	14C01-80094-AA	5305-27-006-2737	Civata	Screw (SE106201)	2	ADET
7	11000-80008-AA	5306-27-006-2700	Civata	Screw (SE106201)	2	ADET
8	11000-80351-AA	5310-27-006-2934	Pul	Plain Washer	4	ADET
9	11000-80301-AA	5310-27-006-2927	Rondela	Spring Washer	4	ADET
10	71A00-80201-AA	5310-27-006-2772	Somun	Nut (NH108041)	4	ADET
11	MRC8736	5310-99-852-5460	Somunlu Sac	Nut Plate	7	ADET
12	RB610082		Perçin	Rivet	6	ADET
13	RU612253	5320-99-322-2855	Perçin	Rivet	8	ADET
14	SX108251	2590-99-215-9483	Civata	Screw	10	ADET
15	WF600051L	5310-99-101-0187	Tırtıllı Pul	Shakeproof Washer	14	ADET
	11000-80302-AA	5310-27-006-2928	Rondela	Spring Washer	14	ADET
16	71A00-80203-AA	5310-27-006-2774	Somun	Nut (NH108041)	10	ADET
17	79281	5320-99-139-3661	Pim	Pin		ADET
	79283	5315-66-095-8700	Pim	Pin		ADET
	79293	5320-99-138-8824	Pim	Pin		ADET

NOT1: Gerektiği kadar.

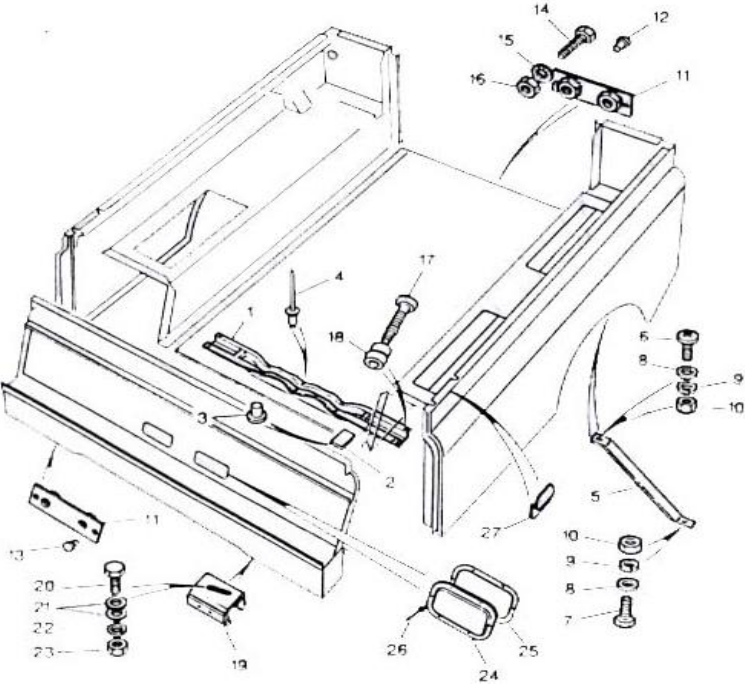
## LAND ROVER 110 YEDEK PARÇALARI

12-54

## ŞAŞİ VE GÖVDE-CHASSIS AND BODY

## GÖVDE-ARKA ALT GÖVDE-PİKAP

RES. NO	PARÇA NO	NATO STOK NO	MALZEMENİN ADI	MALZEMENİN YABANCI ADI	KOMP. MİK.	DAĞ. BİRİMİ
18	78289		Dübel	Collar		ADET



19	MTC3046		Bağlantı Braketi	Mounting Bracket	2	ADET
20	11000-80016-AA	5306-27-006-2703	Civata	Screw (SH108201)	4	ADET
21	71A00-80324-AA	5310-99-122-6475	Pul	Plain Washer	8	ADET
22	11000-80302-AA	5310-27-006-2928	Rondela	Spring Washer	4	ADET
23	71A00-80203-AA	5310-27-006-2774	Somun	Nut (NH108041)	4	ADET
	11000-80016-AA	5306-27-006-2703	Civata	Screw (SH108201)	8	ADET
	71A00-80324-AA	5310-99-122-6475	Pul	Plain Washer	8	ADET
	11000-80302-AA	5310-27-006-2928	Rondela	Spring Washer	8	ADET
	71A00-80203-AA	5310-27-006-2774	Somun	Nut (NH108041)	8	ADET
24	MUC6519	5340-99-517-3500	Kapak Sacı-Ön Panel	Cover Plate-Front Panel	2	ADET
25	MWC2129	5330-99-060-4165	Conta	Gasket	2	ADET
26	RU612253	5320-99-322-2855	Perçin	Rivet	12	ADET
27	301328	2540-99-829-9528	Tente Şeridi	Pope Cleat	10	ADET

NOT1: Gerektiği kadar.  
NOT2: Tenteli araçlar için.

## LAND ROVER 110 YEDEK PARÇALARI

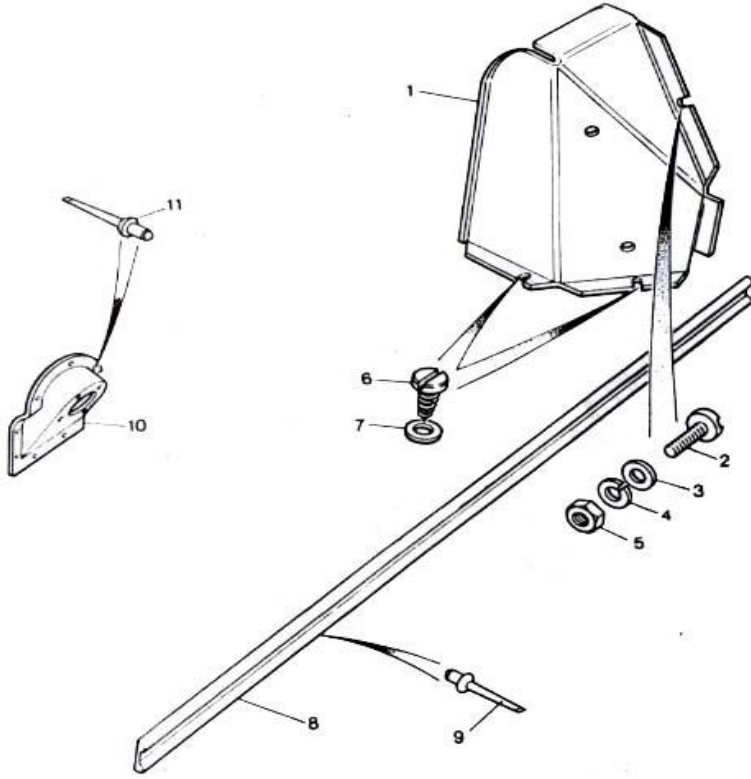
12-55

## ŞASI VE GÖVDE-CHASSIS AND BODY

### GÖVDE-ARKA ALT GÖVDE-PİKAP

RES. NO	PARÇA NO	NATO STOK NO	MALZEMENİN ADI	MALZEMENİN YABANCI ADI	KOMP. MİK.	DAĞ. BİRİMİ
1	MRC2244	2510-99-829-6335	Kapak Paneli Sağ-Arka Lambalar	Cover Panel RH-Rear Lamps	1	ADET
	MRC2245	2510-99-829-6336	Kapak Paneli Sol-Arka Lambalar	Cover Panel LH-Rear Lamps	1	ADET
2	SP105121	5305-99-135-0429	Civata	Screw	4	ADET
3	71A00-80310-AA	5310-27-006-2944	Pul	Plain Washer	4	ADET





4	11000-80300-AA	5310-27-006-2926	Rondela	Spring Washer	4	ADET
5	71A00-80248-AA	5310-99-122-3060	Somun	Nut (NM105011)	4	ADET
6	71A00-81340-AA	5305-99-809-0434	Sac Vidası	Drive Screw	4	ADET
7	71A00-80310-AA	5310-27-006-2944	Pul	Plain Washer	4	ADET
8	330615	2510-99-844-9574	Sac	Tread Plate-Floor	3	ADET
9	RU612253	5320-99-322-2855	Perçin	Rivet-Fixing Tread Plates	39	ADET
10	MUC9158	2510-66-128-8510	Kapak Sacı Yan Yakıt Doldurucu	Cover Plate, Side Filler	1	ADET
11	RU612373L	5320-99-120-9002	Perçin	Rivet	9	ADET

### LAND ROVER 110 YEDEK PARÇALARI

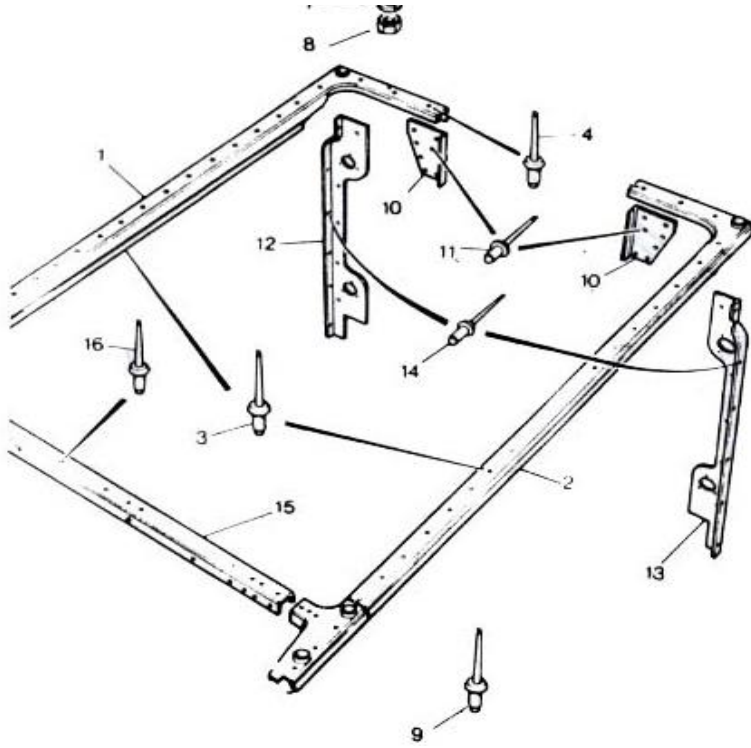
12-56

### ŞAŞI VE GÖVDE-CHASSIS AND BODY

### GÖVDE-ARKA ALT GÖVDE-PİKAP BODY-REAR BODY LOWER-PICK UP

RES. NO	PARÇA NO	NATO STOK NO	MALZEMENİN ADI	MALZEMENİN YABANCI ADI	KOMP. MİK.	DAĞ. BİRİMİ
1	MXC5973		Kapak Sağ	Capping RH	1	ADET
2	MXC5974		Kapak Sol	Capping LH	1	ADET
3	78248	5320-99-970-3518	Perçin	Rivet	38	ADET
	RU612373L	5320-99-120-9002	Perçin	Rivet	16	ADET
4	RA612373L	5320-99-877-1046	Perçin	Rivet	12	ADET
	78248	5320-99-970-3518	Perçin	Rivet	4	ADET
5	11000-80008-AA	5306-27-006-2700	Civata	Screw (SH106201)	2	ADET
6	WA106001L	5310-99-122-6474	Pul	Washer Plain	4	ADET
7	11000-80301-AA	5310-27-006-2927	Yaylı Rondela	Spring Washer	2	ADET





8	71A00-80201-AA	5310-27-006-2772	Somun	Nut (NH106041)	2	ADET
9	78248	5320-99-970-3518	Perçin	Rivet	62	ADET
10	MUC8730	5340-99-701-1179	Köşe Braket Sağ	Corner Bracket RH	1	ADET
	MUC8731	2510-99-978-2574	Köşe Braket Sol	Corner Bracket LH	1	ADET
11	RU612373L	5320-99-120-9002	Perçin	Rivet	6	ADET
	78248	5320-99-970-3518	Perçin	Rivet	4	ADET
12	MXC8934	2540-99-169-0155	Koruyucu Köşebent Sağ	Angle Protection RH	1	ADET
13	MXC8935	2540-99-301-8407	Koruyucu Köşebent Sol	Angle Protection LH	1	ADET
14	78248	5320-99-970-3518	Perçin	Rivet	30	ADET
15	MWC2938	2510-99-084-4475	Ön Panel Kapağı	Capping Front Panel	1	ADET
16	RA612373L	5320-99-877-1046	Perçin	Rivet	39	ADET

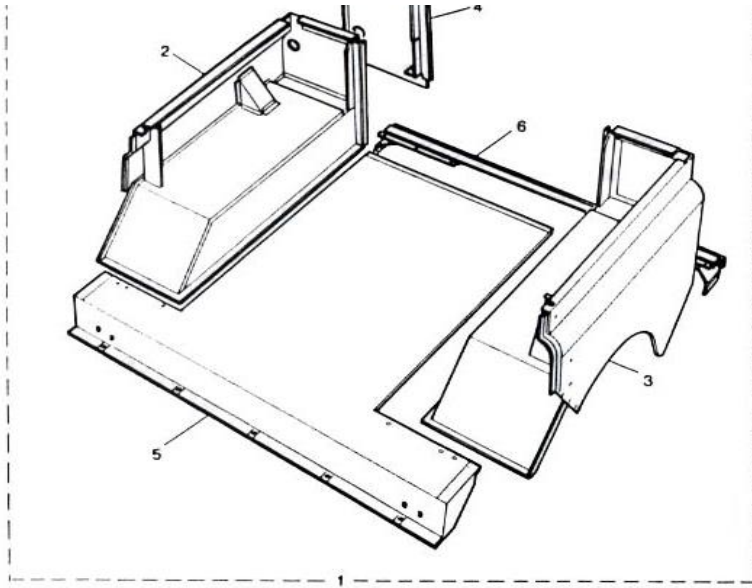
NOT1: Tavan gövde panelleri takıldığında gereklidir.

## LAND ROVER 110 YEDEK PARÇALARI

### GÖVDE-ARKA ALT GÖVDE-STATION WAGON BODY-REAR BODY LOWER-STATION WAGON

12-57		ŞAŞI VE GÖVDE-CHASSIS AND BODY				
RES. NO	PARÇA NO	NATO STOK NO	MALZEMENİN ADI	MALZEMENİN YABANCI ADI	KOMP. Mik.	DAĞ. BİRİMİ
1	MTC7889		ARKA ALT GÖVDE KOMPLESİ	REAR BODY LOWER ASSEMBLY	1	ADET
2	MTC7886		Yan Gövde ve Çamurluk-Sağ	Bodyside & Wheelarch-RH	1	ADET
	MTC7887	2510-99-783-3818	Yan Gövde ve Çamurluk-Sol	Bodyside & Wheelarch-LH	1	ADET
3	RTC6291	2510-99-125-9958	Yan Gövde Paneli-Sağ	Bodyside Panel-RH	1	ADET
	MRC5071	2510-99-591-2651	Yan Gövde Paneli-Sol	Bodyside Panel-LH	1	ADET
4	MTC7980	2510-99-777-5293	Arka Panel-Sağ	Rear End Panel-RH	1	ADET
	MTC7981	2510-99-776-9042	Arka Panel-Sol	Rear End Panel-LH	1	ADET
5	MWC6145		Arka Taban	Rear Floor	1	ADET
6	MTC1039	2510-99-367-1634	Arka Bağlantı Köşebenti	Rear Mounting Angle	1	ADET
	78248	5320-99-970-3518	Perçin	Rivet		ADET





RU612373L	5320-99-120-9002	Perçin	Rivet		ADET
-----------	------------------	--------	-------	--	------

NOT: Gerektiği kadar.

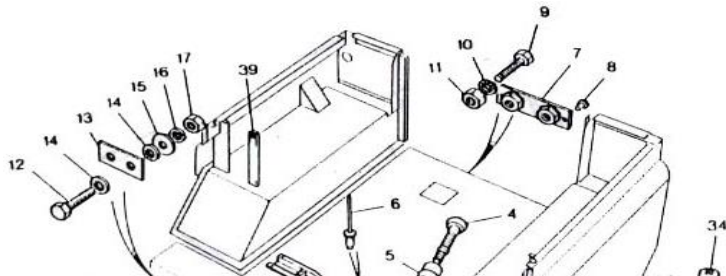
### LAND ROVER 110 YEDEK PARÇALARI

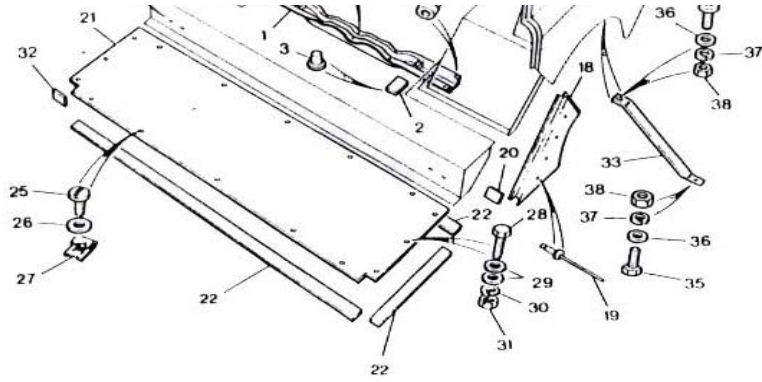
12-58

### ŞAŞİ VE GÖVDE-CHASSIS AND BODY

### GÖVDE-ARKA ALT GÖVDE-STATION WAGON

RES. NO	PARÇA NO	NATO STOK NO	MALZEMENİN ADI	MALZEMENİN YABANCI ADI	KOMP. MİK.	DAG. BİRİMİ
1	MUC8949	2510-99-831-4031	Travers	Crossmember	4	ADET
2	332582-LD	2510-99-850-1665	Bağlantı Takoğu	Mounting Pad	8	ADET
3	RU612373L	5320-99-120-9002	Perçin	Rivet	16	ADET
4	79283	5320-99-138-8823	Pim	Pin		ADET
	79293	5320-99-138-8824	Pim	Pin		ADET
5	79289	5320-99-137-6771	Dübel	Collar	2	ADET
6	78248	5320-99-970-3518	Perçin	Rivet	24	ADET
7	MRC8736-L	5310-99-852-5460	Somunlu sac	Nut Strip	3	ADET
8	RB610082		Perçin	Rivet	6	ADET
9	SX108251	2590-99-215-9483	Civata	Screw	10	ADET
10	WF600051L	5310-99-419-8880	Tırtıllı Pul	Shakeproof Washer	14	ADET
11	71A00-80203-AA	5310-27-006-2774	Somun	NUT STRIP	10	ADET
12	SH108401L	5305-99-250-8192	Civata	Nut	4	ADET
13	305232-L	2510-99-844-9669	Sim	Shim	10	ADET
14	WF600051L	5310-99-419-8880	Tırtıllı Pul	Shakeproof Washer	8	ADET





15	71A00-80349-AA	5310-27-006-2964	Pul	Plain Washer (AFU1079)	4	ADET
16	71A00-80323-AA	5310-27-006-2949	Rondela	Spring Washer	4	ADET
17	71A00-80203-AA	5310-27-006-2774	Somun	Nut (NH108041)	4	ADET
	11000-80016-AA	5306-27-006-2703	Civata	Screw (SH108201)	8	ADET
	71A00-80324-AA	5310-27-006-2935	Pul	Plain Washer	8	ADET
	11000-80302-AA	5310-27-006-2928	Rondela	Spring Washer	8	ADET
	71A00-80203-AA	5310-27-006-2774	Somun	Nut (NH108041)	8	ADET
18	MRC6436	2510-99-547-8958	Uzatma Paneli-Sağ	Extension Panel-RH	1	ADET
	MRC6437		Uzatma Paneli-Sol	Extension Panel-LH	1	ADET
19	78248	5320-99-970-3518	Perçin	Rivet	22	ADET
20	333263-L	5330-99-850-1716	Keçe	Seal	2	ADET

NOT: Gerektiği kadar.

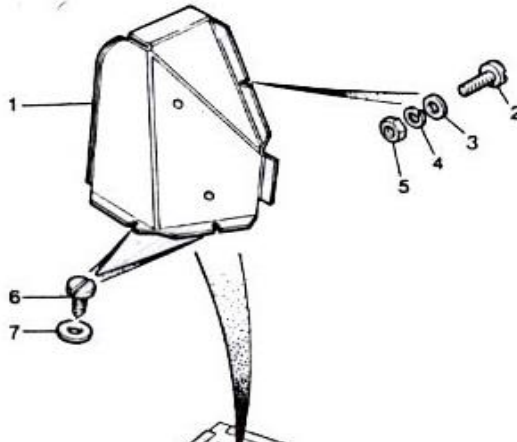
## LAND ROVER 110 YEDEK PARÇALARI

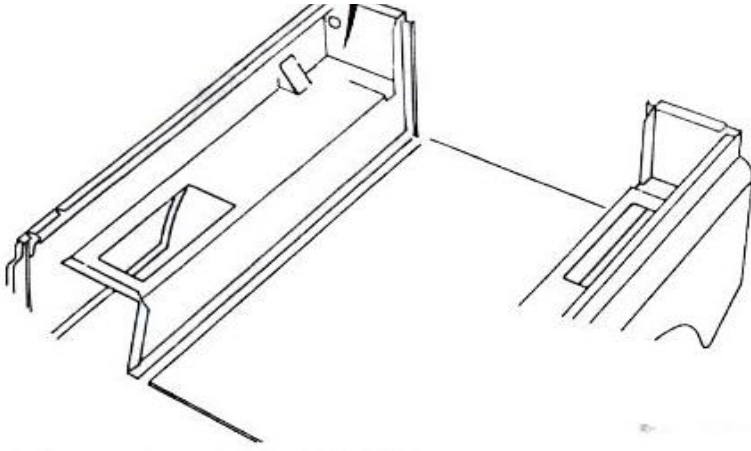
12-59

## ŞAŞI VE GÖVDE-CHASSIS AND BODY

### GÖVDE-ARKA ALT GÖVDE-STATION WAGON

RES. NO	PARÇA NO	NATO STOK NO	MALZEMENİN ADI	MALZEMENİN YABANCI ADI	KOMP. MİK.	DAG. BİRİMİ
1	MTC7878	2590-99-831-3558	Kapak Paneli-Sağ-Arka	Cover Panel-RH-Rear Lamps	1	ADET
	MTC7879	5340-99-147-0727	Kapak Paneli-Sol-Arka	Cover Panel-LH-Rear Lamps	1	ADET
2	71A00-81324-AA	5305-27-006-2728	Civata	Screw	4	ADET
3	71A00-80310-AA	5310-27-006-2944	Pul	Plain Washer	4	ADET
4	11000-80300-AA	5310-27-006-2926	Rondela	Spring Washer	4	ADET
5	71A00-80200-AA	5310-27-006-2771	Somun	Nut (NM105011)	4	ADET
6	71A00-81340-AA	5305-99-809-0434	Sac Vidası	Drive Screw	4	ADET
7	71A00-80310-AA	5310-27-006-2944	Pul	Plain Washer	4	ADET





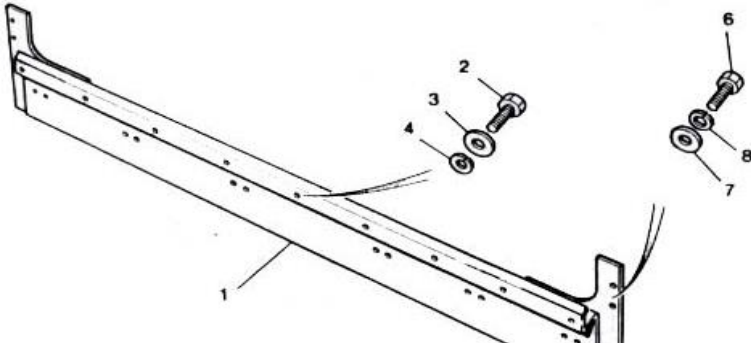
**LAND ROVER 110 YEDEK PARÇALARI**

**12-60**

**ŞAŞI VE GÖVDE-CHASSIS AND BODY**

**GÖVDE-ARKA ALT GÖVDE-STATION WAGON**

RES. NO	PARÇA NO	NATO STOK NO	MALZEMENİN ADI	MALZEMENİN YABANCI ADI	KOMP. MİK.	DAG. BİRİMİ
1	395413	5330-00-090-5776	Panel Köşebent Braketi	Toe Panel-Gusset Bracket	1	ADET
2	11000-80008-AA	5306-27-006-2700	Civata	Screw (SH106201)	2	ADET
	11000-80007-AA	5306-27-006-2699	Civata	Screw (SH106161)	7	ADET
3	MRC5527-LD	5310-99-977-1694	Pul	Plain Washer	9	ADET
4	11000-80301-AA	5310-27-006-2927	Rondela	Spring Washer	9	ADET
6	11000-80008-AA	5306-27-006-2700	Civata	Screw (SH106161)	4	ADET
7	MRC5527-LD	5310-99-977-1694	Pul	Plain Washer	4	ADET
8	11000-80301-AA	5310-27-006-2927	Rondela	Spring Washer	4	ADET





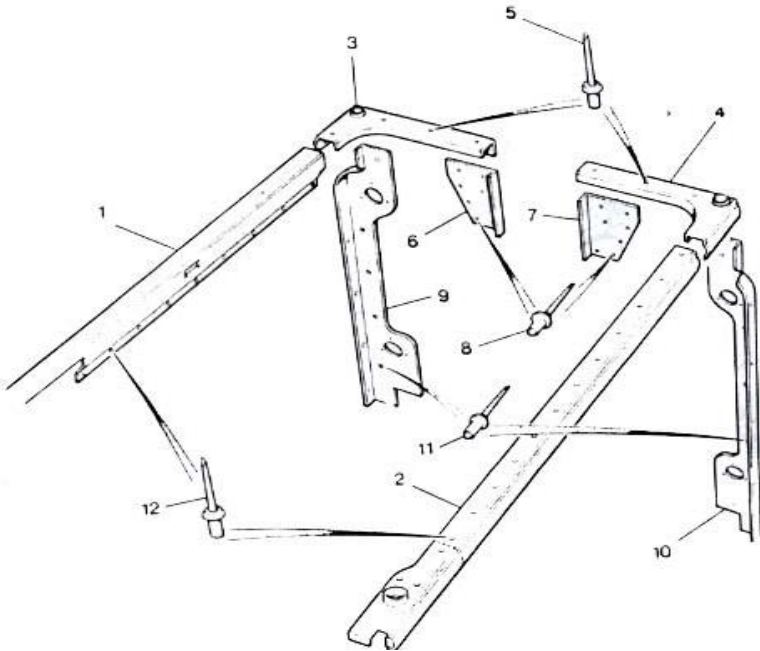
### LAND ROVER 110 YEDEK PARÇALARI

12-61

### ŞAŞİ VE GÖVDE-CHASSIS AND BODY

### GÖVDE-ARKA ALT GÖVDE-STATION WAGON BODY-REAR BODY LOWER-STATION WAGON

RES. NO	PARÇA NO	NATO STOK NO	MALZEMENİN ADI	MALZEMENİN YABANCI ADI	KOMP. MİK.	DAG. BİRİMİ
1	RTC5066		Üst Kapak Sağ	Top Capping RH	1	ADET
2	RTC5067		Üst Kapak Sol	Top Capping LH	1	ADET
	MWC4662		Üst Kapak Sağ	Top Capping RH	1	ADET
	MWC4663	2540-99-877-7953	Üst Kapak Sol	Top Capping LH	1	ADET
3	MUC8710	2540-99-453-7791	Arka Köşe Kapağı Sağ	Rear Corner Capping RH	1	ADET
4	MUC8711		Arka Köşe Kapağı Sol	Rear Corner Capping-LH	1	ADET
5	RA612373L	5320-99-877-1046	Perçin	Rivet-Fixing Corner Capping	12	ADET
	RU612253	5320-99-322-2855	Perçin	Rivet-Fixing Corner Capping	4	ADET
	11000-80008-AA	5306-27-006-2700	Civata	Screw (SH106201)	2	ADET
	11000-80351-AA	5310-27-006-2934	Pul	Plain Washer	4	ADET
	11000-80301-AA	5310-27-006-2927	Rondela	Spring Washer	2	ADET
	71A00-80201-AA	5310-27-006-2772	Somun	Nut (NH106041)	2	ADET
6	MUC9154	2510-99-874-0528	Arka İç Köşe Braketi-Sağ	Rear Corner Bracket Inner-RH	1	ADET
7	MUC9155	2510-99-728-6356	Arka İç Köşe Braketi-Sol	Rear Corner Bracket Inner-LH	1	ADET
8	RU612253	5320-99-322-2855	Perçin	Rivet	6	ADET
9	MXC8932		Koruma Braketi-Sağ	Protection Angle RH	1	ADET
10	MXC8933		Koruma Braketi-Sol	Protection Angle LH	1	ADET
11	RU612253	5320-99-322-2855	Perçin	Rivet	24	ADET
12	RU612253	5320-99-322-2855	Perçin	Rivet	32	ADET



NOT1: Şasi No 314075'e kadar.  
NOT2: Şasi No 314076'dan 1990 m.y'na kadar.

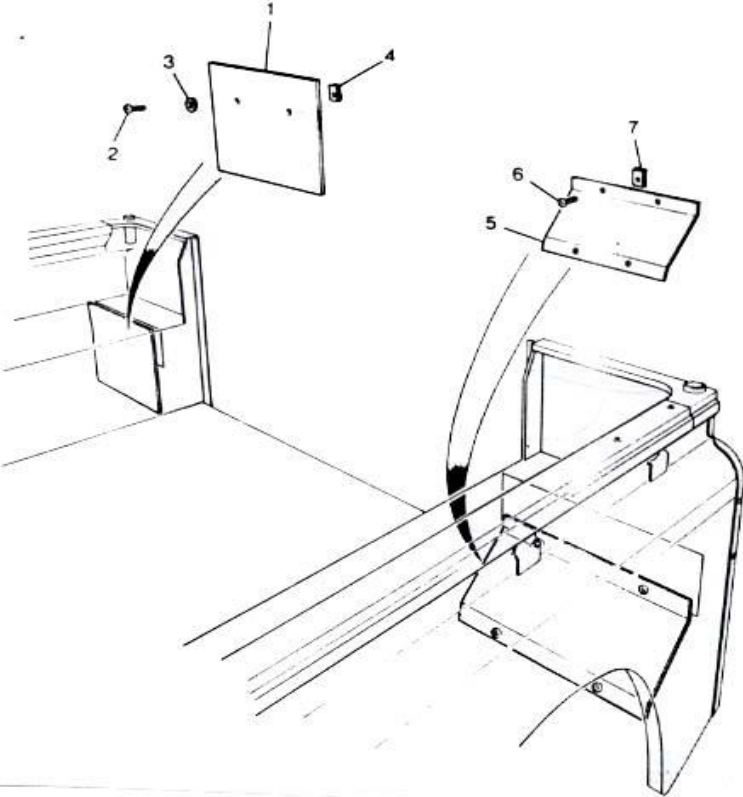
## LAND ROVER 110 YEDEK PARÇALARI

12-62

## ŞASİ VE GÖVDE-CHASSIS AND BODY

### GÖVDE-ARKA LAMBA KORUYUCULARI

RES. NO	PARÇA NO	NATO STOK NO	MALZEMENİN ADI	MALZEMENİN YABANCI ADI	KOMP. MİK.	DAG. BİRİMİ
1	MTC3508-L		Çamurluk-Arka Lambalar	Mudshield-Rear Lamps	1	ADET
	BTR1790		Çamurluk-Arka Lambalar	Mudshield-Rear Lamps	1	ADET
2	71A00-81453-AA		Sac Vidası	Drive Screw	2	ADET
3	71A00-80347-AA	5310-27-006-2963	Pul	Plain Washer (AFU1218)	2	ADET
4	71A00-80453-AA		Somun	Nut (AK610021)	2	ADET
5	MRC8094	2510-99-723-6004	Koruma Plakası	Protection Plate-Rear Lamps	1	ADET
6	71A00-81453-AA		Sac Vidası	Drive Screw	4	ADET
7	71A00-80453-AA	5310-99-310-8780	Somun	Nut (AK610021)	4	ADET



NOT1: Şasi No H4905082'e kadar

NOT1: Şasi No HA905083 e kadar.  
NOT2: Şasi No HA905084'ten itibaren.

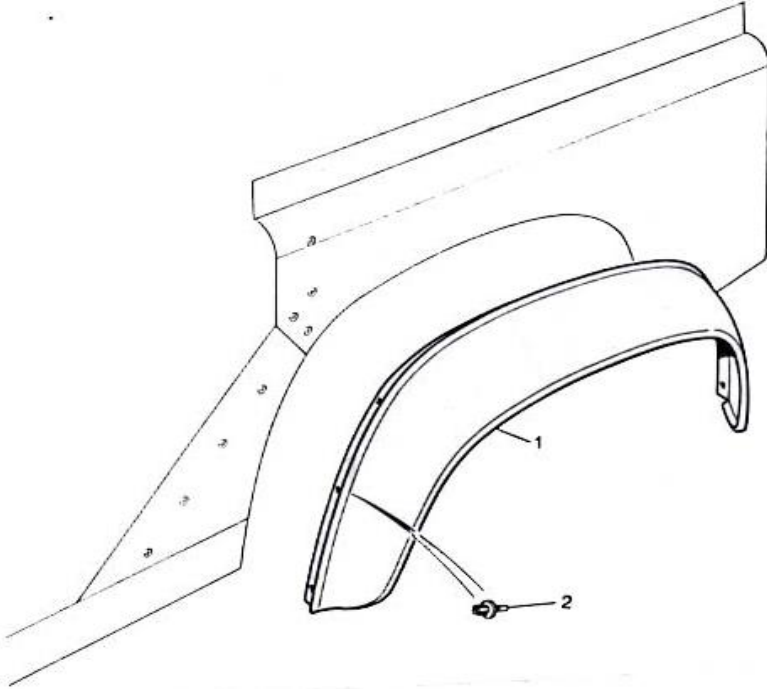
## LAND ROVER 110 YEDEK PARÇALARI

12-63

## ŞASI VE GÖVDE-CHASSIS AND BODY

### GÖVDE-ARKA ÇAMURLUKLAR

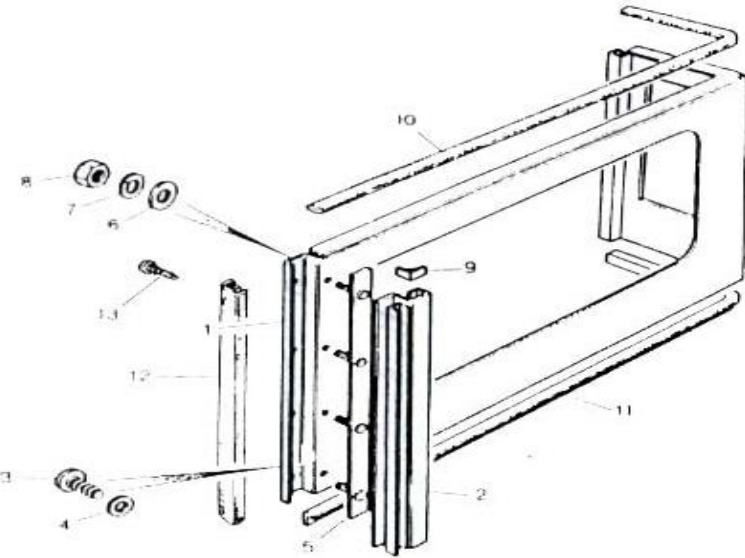
RES. NO	PARÇA NO	NATO STOK NO	MALZEMENİN ADI	MALZEMENİN YABANCI ADI	KOMP. Mik.	DAĞ. Birimi
1	MRC8420	2510-99-797-6084	Çamurluk-Arka Kanat-Siyah	Eyebrow Midng.-RR Wing-Black	2	ADET
2	AFU1075	5320-99-740-0798	Plastik Perçin	Plastic Rivet	24	ADET





## LAND ROVER 110 YEDEK PARÇALARI

## GÖVDE-ARKA ÜST GÖVDE-STATION WAGON



## 12-04

## ŞAŞI VE GÖVDE-CHASSIS AND BODY

RES. NO	PARÇA NO	NATO STOK NO	MALZEMENİN ADI	MALZEMENİN YABANCI ADI	KOMP. MİK.	DAG. BİRİMİ
1	RTC6253		Gövde Yan Yükleme Paneli-Sağ	Bodyside Despatch Panel RH	1	ADET
	MUC1533		Gövde Yan Yükleme Paneli-Sol	Bodyside Despatch Panel LH	1	ADET
	MWC5436		Gövde Yan Yükleme Paneli-Sağ	Bodyside Despatch Panel RH	1	ADET
	MWC5437		Gövde Yan Yükleme Paneli-Sol	Bodyside Despatch Panel LH	1	ADET
	MWC8966	2510-99-096-3339	Gövde Yan Paneli Sağ	B/S Desp.Clinched Pnl.RH	1	ADET
	MWC8967		Gövde Yan Paneli Sol	B/S Desp.Clinched Pnl.LH	1	ADET
2	MTC5394	2510-99-780-8648	Döşeme/Keçe Tutucu Sağ	Finisher/Seal Retainer RH	1	ADET
	MTC5395	2510-99-780-8654	Döşeme/Keçe Tutucu Sol	Finisher/Seal Retainer LH	1	ADET
3	71A00-81348-AA	5305-99-941-8363	Sac Vidası	Drive Screw	6	ADET
4	71A00-80333-AA	5310-99-740-0784	Pul	Plain Washer (AFU1080)	6	ADET
5	MUC3566	2510-99-780-8651	Saplama Plakası-M5	Stud Plate-M5	2	ADET
6	71A00-80315-AA	5310-99-122-3032	Pul	Plain Washer	8	ADET
7	11000-80300-AA	5310-27-006-2926	Rondela	Spring Washer	8	ADET
8	71A00-80248-AA	5310-99-122-3060	Somun	Nut (NM105011)	8	ADET
9	332215-L	2510-99-850-1805	Keçe-Kapı Dayaması Alt ve Üst	Seal-Door Pillar Upper&Lower	4	ADET
10	MXC3678-L		Keçe-Üst Sağ	Seal-Bodyside Upper RH	1	ADET
	MXC3679-L		Keçe-Üst Sol	Seal-Bodyside Upper LH	1	ADET
11	MXC2032-L		Keçe-Üst-Alt	Seal-Bodyside Lower	2	ADET
	MXC3684		Keçe-Ön-Üst-Sağ	Seal-RH-Bodyside Front Upper	1	ADET
	MXC3685		Keçe-Ön-Üst-Sol	Seal-LH-Bodyside Front Upper	1	ADET
12	MXC3319LNP		Döşeme Ön	Finisher Front Pillar	2	ADET
13	71A00-81348-AA	5305-99-941-8363	Sac Vidası	Drive Screw	6	ADET

NOT1: 1988 model yılına kadar (Şasi No EA314268)

NOT2: 1988 m.y.dan 1989 m.y na kadar.

NOT3: 1989 m.y. Dan sonra

NOT4:1989 m.y. Na kadar.

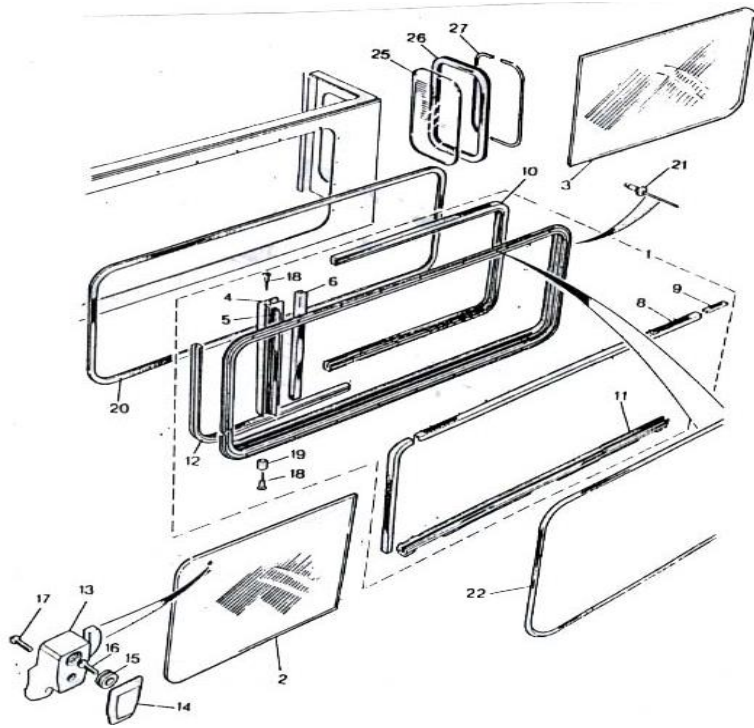
## LAND ROVER 110 YEDEK PARÇALARI

GÖVDE-ARKA ÜST GÖVDE-KAYMALI CAM  
BODY-REAR BODY UPPER-SWLIDING WINDOW

## 12-65

## ŞAŞI VE GÖVDE-CHASSIS AND BODY

RES. NO	PARÇA NO	NATO STOK NO	MALZEMENİN ADI	MALZEMENİN YABANCI ADI	KOMP. MİK.	DAG. BİRİMİ
1	71A00-67015-AA		Kaymalı Cam Kompl.Sağ Camsız	Sld.Window Assy RH Less Glass	1	ADET
	71A00-67016-AA		Kaymalı Cam Kompl.Sol Camsız	Sld.Window Assy LH Less Glass	1	ADET
	MUC3766-LD	2510-66-128-5224	Yan Cam Çerçeve Kmp.-Sol	Frame Side Glass	1	ADET



	MUC3767-LD	2510-66-128-5222	Yan Cam Çerçeve Kmp.-Sağ	Frame Side Glass-RH	1	ADET
2	MUC3791-LD	2510-66-128-5223	Kayar Cam Ön-Düz	Glass-Front-Clear	2	ADET
3	MUC3792-LD	2510-66-128-5220	Kayar Cam Arka-Düz	Glass-Rear-Clear	2	ADET
4	MUC3770-L		Kayma Rayı	Draught Rail	2	ADET
5	MUC3769-L	5330-66-128-5199	Keçe Kayma Rayı	Seal-Draught Rail	2	ADET
6	MUC1098-L	5330-66-128-5192	Tutturucu Şerit-Kayma Rayı	Glazing Strip-Draught Rail	2	ADET
7	MUC3097	5330-66-128-5200	Keçe-Ön	Felt-Front	2	ADET
8	MUC3096	5330-66-128-5201	Keçe-Ön	Felt-Top	2	ADET
9	MUC4025-L	5340-66-128-5182	Kauçuk Takoz	Rubber-Stop	2	ADET
10	MUC1484-L	5330-66-128-5198	Tutucu Lastik	Glazing Rubber	2	ADET
11	71A00-67012-AB		Alt Ray	Bottom Runner	2	ADET
12	MUC3768-L	5330-66-128-5196	Dolgu Lastiği	Filler Strip	2	ADET
13	MTC8270-LD	2540-66-128-5221	Mandal Komple-Sağ	Catch Assembly-RH	1	ADET
13	MTC8271-LD	2540-66-128-5219	Mandal Komple-Sol	Catch Assembly-LH	1	ADET
14	MUC1704-L	5340-66-128-5181	Sabitleyici Blok-Mandal	Fixing Block-Catch	2	ADET
15	MUC1705-L	5325-66-128-5266	Buton-Mandal	Button-Catch	2	ADET
16	71A00-80115-AA	5306-27-006-2722	Sac Vidası	Drive Screw (MUC1706)	2	ADET
17	71A00-80141-AA	5305-66-128-5171	Sac Vidası	Drive Screw (MUC1707)	2	ADET
18	71A00-80044-AA		Sac Vidası	Drive Screw	4	ADET
19	MUC3771-L		Ara Parça-Kayma Rayı	Spacer-Draught Rail	2	ADET
20	MUC1008-L	9320-66-128-5194	Keçe	Seal	2	ADET
21	RU610313L	5320-66-128-5185	Perçin	Rivet	48	ADET
22	MUC1005-LD	5330-66-128-5197	Dolgu Lastiği	Filler Strip	2	ADET
25	MTC3476-LD	2510-99-785-7369	Cam-Arka Pencere-Düz	Glass-Rear & Window-Clear	2	ADET
26	306287-L	9320-99-849-8393	Tutturucu Lastik	Glazing Strip	2	ADET
27	306289-L	9320-99-849-8394	Dolgu Lastiği	Filler Strip	2	ADET

NOT1: Mart 1991'e kadar.

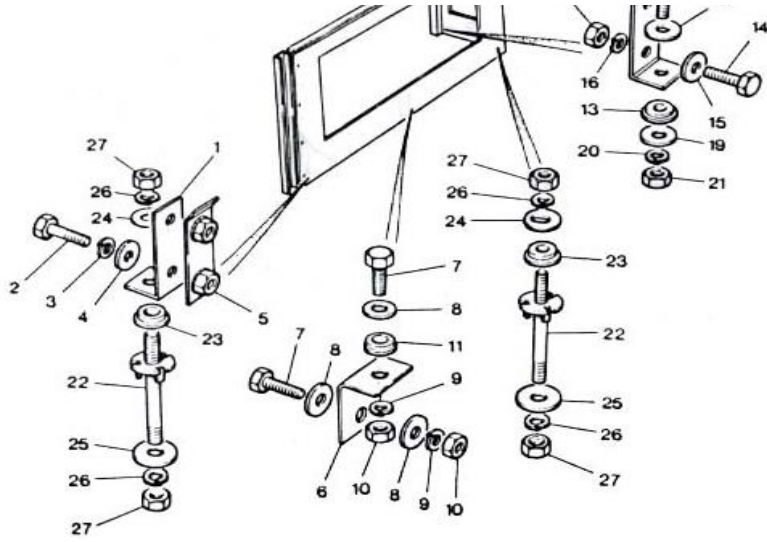
NOT2: Mart 1991'den itibaren.

## LAND ROVER 110 YEDEK PARÇALARI

### GÖVDE-ARKA ÜST GÖVDE BAĞLANTILARI (STATION WAGON) BODY-REAR BODY UPPER- MOUNTING (STATION



12-66		ŞAŞI VE GÖVDE-CHASSIS AND BODY				
RES. NO	PARÇA NO	NATO STOK NO	MALZEMENİN ADI	MALZEMENİN YABANCI ADI	KOMP. MİK.	DAG. BİRİMİ
1	338554-LD	5340-99-874-1834	Köşebent-Ön Direk	Mounting Angle-Front Pillar	2	ADET
2	11000-80014-AA	5306-27-006-2702	Civata	Screw (SH108161)	4	ADET
3	11000-80302-AA	5310-27-006-2928	Rondela	Spring Washer	4	ADET
4	71A00-80323-AA	5310-99-138-7965	Pul	Plain Washer	4	ADET
5	MUC1324-L	2510-99-737-2121	Somunlu Sac-Metrik Diş	Nut Plate-Metric Thread	2	ADET
6	332201-L	5340-99-850-1808	Destek Braketi-Gövde Tarafı	Support Bracket-Body Sides	2	ADET
7	11000-80008-AA	5306-27-006-2700	Civata	Screw (SH106201)	4	ADET
8	71A00-80333-AA	5310-99-740-0784	Destek Braketi-Gövde Tarafı	Plain Washer (AFU1080)	6	ADET
9	11000-80301-AA	5310-27-006-2927	Rondela	Spring Washer	4	ADET
10	71A00-80201-AA	5310-27-006-2772	Somun	Nut (NH106041)	4	ADET



11	338550-L	5365-99-808-4736	Takoz	Buffer Rubber	2	ADET
12	338552-LD	2590-99-825-0431	Destek Braketi-Arka Gövde	Support Bracket-Body Rear	2	ADET
13	338550-L	5365-99-808-4736	Takoz	Buffer Rubber	2	ADET
14	11000-80007-AA	5306-27-006-2699	Civata	Screw (SH106161)	4	ADET
15	MRC5525-LD	5310-99-754-3600	Pul	Plain Washer	4	ADET
16	11000-80301-AA	5310-27-006-2927	Rondela	Spring Washer	4	ADET
17	71A00-80201-AA	5310-27-006-2772	Somun	Nut (NH106041)	4	ADET
18	11000-80019-AA	5306-27-006-2706	Civata	Special Washer (SH108301)	2	ADET
19	71A00-80323-AA	5310-99-138-7965	Pul	Plain Washer	4	ADET
20	11000-80302-AA	5310-27-006-2928	Rondela	Spring Washer	2	ADET
21	71A00-80203-AA	5310-27-006-2774	Somun	Nut (NH108041)	2	ADET
22	MRC9833-L	5307-99-300-8826	Saplama	Mounting Stud	4	ADET
23	71A00-80336-AA		Özel Pul	Special Washer	4	ADET
24	332293-L	2510-99-844-9648	Özel Pul	Special Washer	4	ADET
25	71A00-80335-AA	5310-27-006-2955	Pul	Plain Washer	4	ADET
26	11000-80302-AA	5310-27-006-2928	Rondela	Spring Washer	8	ADET
27	71A00-80203-AA	5310-27-006-2774	Somun	Nut (NH108041)	8	ADET

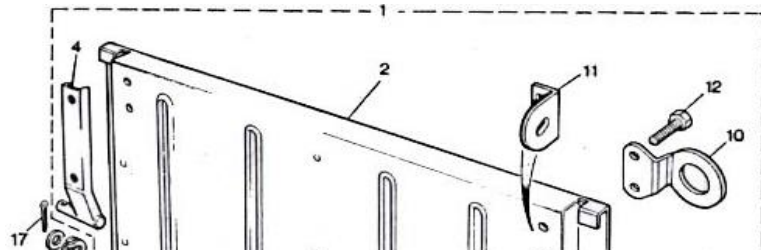
## LAND ROVER 110 YEDEK PARÇALARI

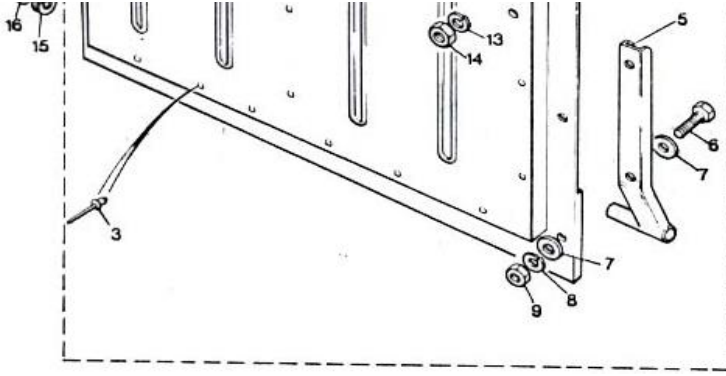
12-67

## ŞAŞİ VE GÖVDE-CHASSIS AND BODY

### GÖVDE-ARKA KAPAK-ALTTAN MENTEŞELİ

RES. NO	PARÇA NO	NATO STOK NO	MALZEMENİN ADI	MALZEMENİN YABANCI ADI	KOMP. Mik.	DAĞ. BİRİMİ
1	MUC8736	2510-99-737-3366	KOMPLE KAPAK	TAILBOARD ASSEMBLY	1	ADET
2	MUC8737	2510-99-605-6790	Takviye Paneli	Reinforcing Panel	1	ADET
3	78248	5320-99-970-3518	Perçin	Rivet	17	ADET
	RR612063	5320-99-600-3983	Perçin	Rivet	8	ADET
4	MUC8740	5340-99-804-7197	Menteşe-Sağ	Hinge-RH	1	ADET
5	MUC8741	2510-99-805-4562	Menteşe-Sol	Hinge-LH	1	ADET
6	BH106111L	5305-99-122-5249	Civata	Bolt	4	ADET
7	MRC5528-LD	5310-66-128-4723	Pul	Plain Washer	10	ADET
8	11000-80301-AA	5310-27-006-2927	Rondela	Spring Washer	4	ADET
9	71A00-80201-AA	5310-27-006-2772	Somun	Nut (NH106041)	4	ADET
10	MUC8746	2510-99-737-3373	Kilitleme Sacı	Locking Plate	2	ADET
11	MUC8738	5340-99-737-3367	Braket-Sağ	Bracket-RH	1	ADET
	MUC8739	5340-99-737-3368	Braket-Sol	Bracket-LH	1	ADET
12	BH106111L	5305-99-122-5249	Civata	Bolt	4	ADET
13	11000-80301-AA	5310-27-006-2927	Rondela	Spring Washer	4	ADET
14	71A00-80201-AA	5310-27-006-2772	Somun	Nut (NH106041)	4	ADET





15	WS600091	5310-33-180-9134	Rondela	Spring Washer	1	ADET
16	WA600091L	5310-99-941-8638	Pul	Plain Washer	1	ADET
17	PS612080	5315-99-133-4480	Kopilya	Split Pin	1	ADET

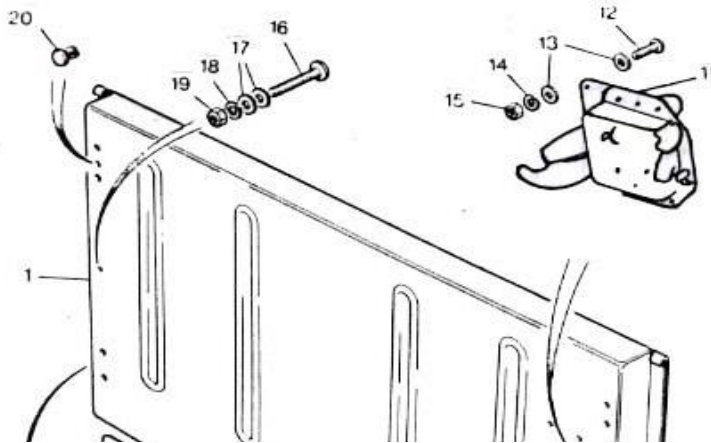
### LAND ROVER 110 YEDEK PARÇALARI

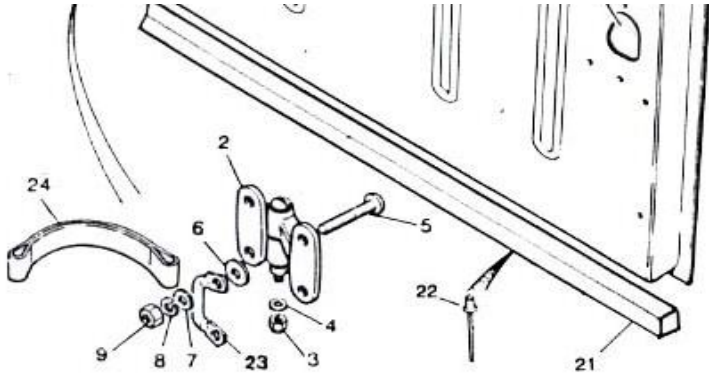
12-68

### ŞAŞI VE GÖVDE-CHASSIS AND BODY

### GÖVDE-ARKA KAPAK-YANDAN MENTEŞELİ

RES. NO	PARÇA NO	NATO STOK NO	MALZEMENİN ADI	MALZEMENİN YABANCI ADI	KOMP. MİK.	DAĞ. BİRİMİ
1	MUC8707		Arka Kapak	Tailboard	1	ADET
2	346341-LD	2540-99-812-5089	Menteşe	Hinge	2	ADET
3	257450	5310-99-735-0703	Özel Somun	Capped Turret Nut	2	ADET
4	11000-80351-AA	5310-27-006-2934	Pul	Plain Washer	2	ADET
5	SE108601	5305-99-955-8474	Civata	Screw	4	ADET
6	71A00-80323-AA	5310-99-138-7965	Pul	Plain Washer	1	ADET
7	11000-80324-AA	5310-99-122-6475	Pul	Plain Washer	2	ADET
8	11000-80302-AA	5310-27-006-2928	Rondela	Spring Washer	4	ADET
9	14C01-80243-AA	5310-27-006-2761	Fiberli Somun	Nyloc Nut (NY108041)	4	ADET
11	395041	5340-99-828-9706	Pul	Lock	1	ADET
			Arka Kapak İcin Kilit ve Anahtarlar	Barrel & Keys for T/Board Lock		ADET
			Bos Anahtar	Key Blank		ADET
12	14C01-80094-AA	5305-27-006-2737	Civata	Screw (SE106201)	4	ADET
13	11000-80351-AA	5310-27-006-2934	Pul	Plain Washer	10	ADET
14	11000-80301-AA	5310-27-006-2927	Rondela	Spring Washer	4	ADET
15	71A00-80211-AA	5310-99-138-8423	Fiberli Somun	Nyloc Nut (NY106041)	4	ADET
16	SE106501	5305-99-282-2171	Civata	Screw	5	ADET
17	11000-80351-AA	5310-27-006-2934	Pul	Plain Washer	10	ADET
18	11000-80301-AA	5310-27-006-2927	Rondela	Spring Washer	5	ADET





19	71A10-80211-AA	5310-27-006-2767	Fiberli Somun	Nyloc Nut (NY106041)	5	ADET
20	79086		Perçin	Lokut Rivet	1	ADET
21	303975	5680-99-849-8358	Keçe	Sealing Rubber	1	ADET
22	RT612283	5320-99-662-6215	Perçin	Rivet	8	ADET
23	MTC7523	2510-99-788-8287	Toka-Emniyet Kayışı	Cleat for Ckeck Strap	1	ADET
24	398776	2510-99-824-6202	Emniyet Kayışı	Check Strap	1	ADET

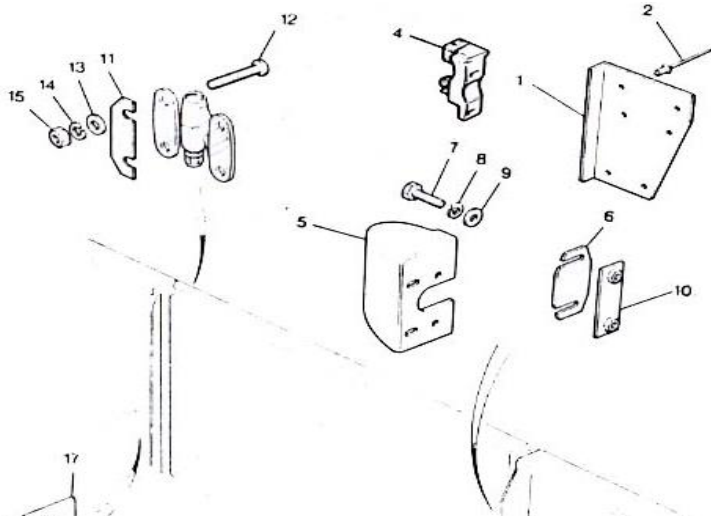
NOT1: Kilit ve anahtar setleri kısmına bakınız.

## LAND ROVER 110 YEDEK PARÇALARI

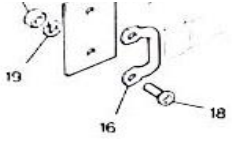
12-69

## ŞAŞI VE GÖVDE-CHASSIS AND BODY

### GÖVDE-ARKA KAPAK-YANDAN MENTEŞELİ



RES. NO	PARÇA NO	NATO STOK NO	MALZEMENİN ADI	MALZEMENİN YABANCI ADI	KOMP. MİK.	DAĞ. BİRİMİ
1	MUC9154	2510-99-874-0528	Arka Köşe Braketi-Sağ	Rear Corner Bracket-RH	1	ADET
	MUC9155	2510-99-728-6356	Arka Köşe Braketi-Sol	Rear Corner Bracket-LH	1	ADET
2	RU612253	5320-99-322-2855	Perçin	Rivet	5	ADET
4	395294	2540-99-825-4658	Kilit Karşılığı	Striker	1	ADET
5	MRC9006	2540-99-797-4644	Muhafazalık	Shroud	1	ADET
6	367594	3510-01-160-3670	Sim	Shim		ADET
7	11003-80075-AA	5306-27-006-2711	Civata	Screw (SH106201)	2	ADET
8	11000-80301-AA	5310-27-006-2927	Rondela	Spring Washer	2	ADET
9	71A00-80383-AA	5310-99-738-3661	Pul	Plain Washer (AFU1259)	2	ADET
10	MRC9431-L	2540-99-797-4647	Somunlu Sac	Nut Plate	1	ADET
11	395463	2540-99-254-7805	Kapak Sacı-Üst Menteşe	Cover Plate-Upper Hinge	1	ADET
12	71A00-81332-AA	5305-27-006-2733	Civata	Screw (SE108251)	4	ADET
13	11000-80324-AA	5310-99-122-6475	Somunlu Sac	Plain Washer	4	ADET
14	11000-80302-AA	5310-27-006-2928	Rondela	Spring Washer	4	ADET
15	71A00-80203-AA	5310-27-006-2774	Somun	Nut (NH108041)	4	ADET
16	MTC7523	2510-99-788-8287	Toka-Emniyet Kayışı	Cleat for Check Strap	1	ADET
17	MTC7525-LD	5365-99-788-8288	Dolgu Sacı	Spreeder Plate	1	ADET
18	SE108201016-AA	5305-99-300-0789	Civata	Screw	2	ADET
19	11000-80302-AA	5310-27-006-2928	Rondela	Spring Washer	2	ADET
20	71A00-80203-AA	5310-27-006-2774	Somun	Nut (NH108041)	2	ADET



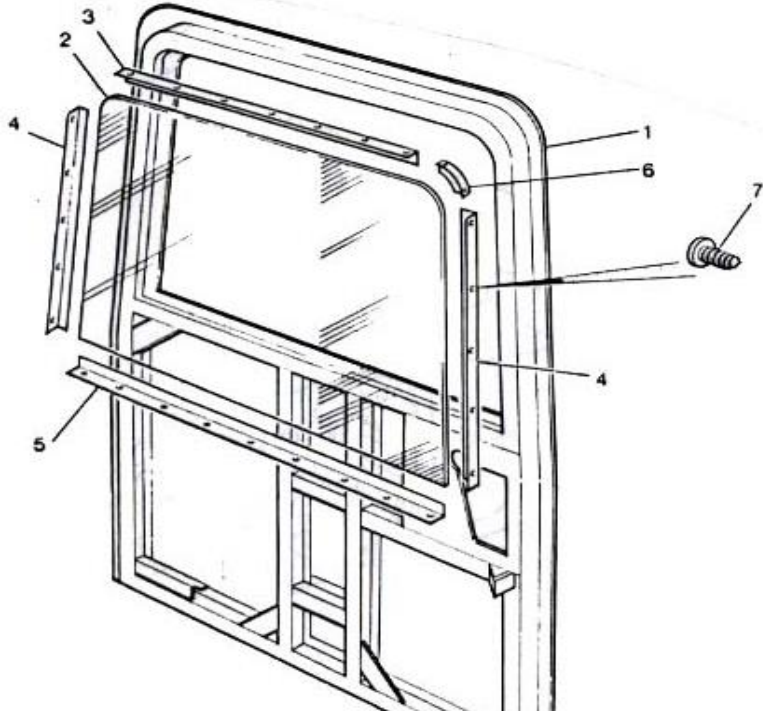
## LAND ROVER 110 YEDEK PARÇALARI

12-70

## ŞAŞI VE GÖVDE-CHASSIS AND BODY

### GÖVDE-ARKA KAPI BODY-REAR END DOOR

RES. NO	PARÇA NO	NATO STOK NO	MALZEMENİN ADI	MALZEMENİN YABANCI ADI	KOMP. MİK.	DAG. BİRİMİ
1	RTC6266	2510-99-257-9175	Arka Kapı Sökük Komple	RR & Door Clinc.-Pierced Panel	1	ADET
	MXC1743		Arka Kapı Sökük Komple	RR & Door Clinc.-Pierced Panel	1	ADET
2	MTC8951-LD	2510-99-733-8927	Arka Kapı Camı-Rezistanslı	Window Glass-Heated	1	ADET
	78159-L	9320-99-440-7619	Cam Şeridi	Glazing Strip		ADET
3	333034-LD	2510-99-850-1850	Tutucu-Üst	Retainer-Top	1	ADET
4	333033-LD	2510-99-850-1828	Tutucu-Yanlar	Retainer-Sides	2	ADET
5	333032-LD	2510-99-850-1849	Tutucu-Alt	Retainer-Bottom	1	ADET
6	333035-LD	2510-99-850-1851	Tutucu-Köşeler	Retainer-Corners	2	ADET
7	11000-81338-AA	5306-27-006-2739	Sac Vidası	Drive Screw	30	ADET

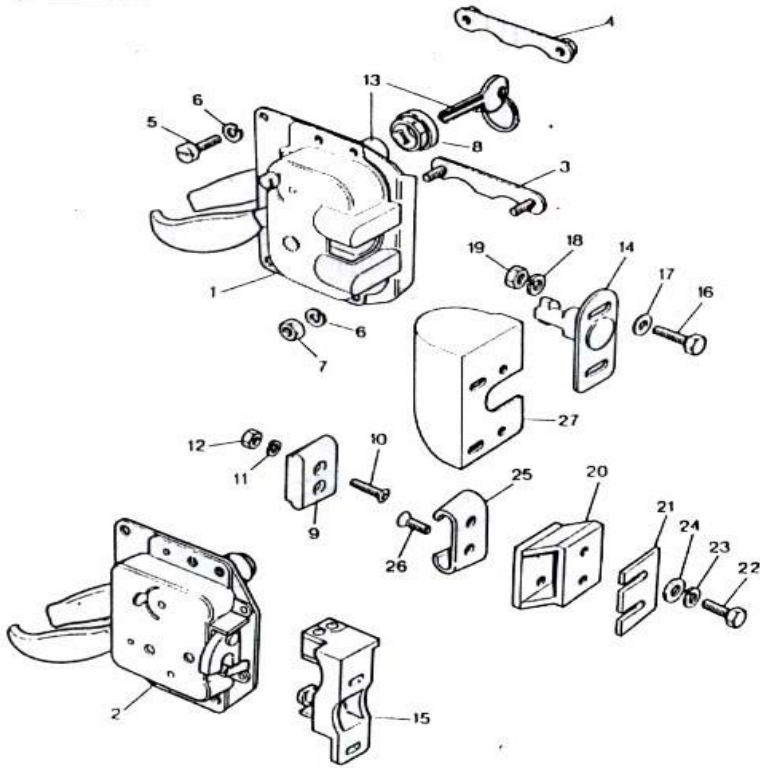




NOT1: Şasi No FA358791'e kadar.  
NOT2: Şasi No FA358792'den sonra.  
NOT3: Gerektiği kadar.

## LAND ROVER 110 YEDEK PARÇALARI

### GÖVDE-ARKA KAPI-KİLİT MEKANİZMASI BODY-REAR END DOOR-LOCKING MECHANISM



12-71

## ŞAŞI VE GÖVDE-CHASSIS AND BODY

RES. NO	PARÇA NO	NATO STOK NO	MALZEMENİN ADI	MALZEMENİN YABANCI ADI	KOMP. MİK.	DAĞ. BİRİMİ
1	MUC1030	2540-99-797-4634	Kilit Komple	Lock Assembly	1	ADET
2	395037	2540-99-825-4656	Kilit Komple	Lock Assembly	1	ADET
3	MRC9416	2540-99-797-4638	Civata Tutucu-Kilidi Kapiya	Screw Retainer-Lock to Door	1	ADET
4	MRC9417	2540-99-778-0181	Somun Tutucu-Kilidi Kapiya	Nut Retainer-Lock to Door	1	ADET
5	11003-80076-AA	5305-99-122-6643	Civata	Screw (SE106161)	2	ADET
6	11000-80301-AA	5310-27-006-2927	Rondela	Spring Washer	4	ADET
7	71A00-80201-AA	5310-27-006-2772	Somun	Nut (NH106041)	2	ADET
8	347151	2540-99-825-4661	Conta-Kapı Kilidi	Seal-Door Lock	1	ADET
9	332942-L	5340-99-807-2840	Kilit Karşılığı-Erkek	Male Dovetail	1	ADET
10	71A00-81357-AA	5305-99-122-5292	Civata	Screw (SA106251)	2	ADET
11	11000-80301-AA	5310-27-006-2927	Rondela	Spring Washer	2	ADET
12	71A00-80201-AA	5310-27-006-2772	Somun	Nut (NH106041)	2	ADET
13			Kapı Kilidi İcin Kilit Ve Anahtarlar	Barrel and Keys for Door Lock		ADET
			Bos Anahtarlar	Key Blank	1	ADET
14	MRC8444	2540-99-797-4642	Kilit Karşılığı	Striker	1	ADET
15	395294	2540-99-825-4658	Kilit Karşılığı	Striker	1	ADET
	395078-L	2540-99-825-4657	Sim	Shim	1	ADET
	MWC3312		Kilit Karşılığı Takviye Brkt.	Reinforcement Brkt.for Striker	1	ADET
16	11003-80075-AA	5306-27-006-2711	Civata	Screw (SH106351)	2	ADET
17	71A00-80383-AA	5310-99-738-3661	Pul	Plain Washer (AFU1259)	2	ADET
	MRC5525	5310-99-754-3600	Pul	Plain Washer	2	ADET
18	11000-80301-AA	5310-27-006-2927	Rondela	Spring Washer	2	ADET
19	71A00-80201-AA	5310-27-006-2772	Somun	Nut (NH106041)	2	ADET
20	MRC9619	2540-99-111-1675	Ara Parça	Spacer	1	ADET
21	305232-L	2510-99-844-9669	Sim	Shim	2	ADET
22	11000-80008-AA	5306-27-006-2700	Civata	Screw (SH106201)	2	ADET
23	11000-80301-AA	5310-27-006-2927	Rondela	Spring Washer	2	ADET
24	71A00-80333-AA	5310-99-740-0784	Pul	Plain Washer (AFU1080)	2	ADET
25	332147-L	2540-99-844-9748	Kilit Karşılığı-Dişi	Female Dovetail	1	ADET
26	12B01-80089-AA	5305-99-607-6673	Civata	Screw (SA106161)	1	ADET
27	MRC9006	2540-99-797-4644	Muhafazalık	Shroud-Striker	1	ADET

28	MXC9455	5330-99-742-2423	Conta	Seal	1	ADET
----	---------	------------------	-------	------	---	------

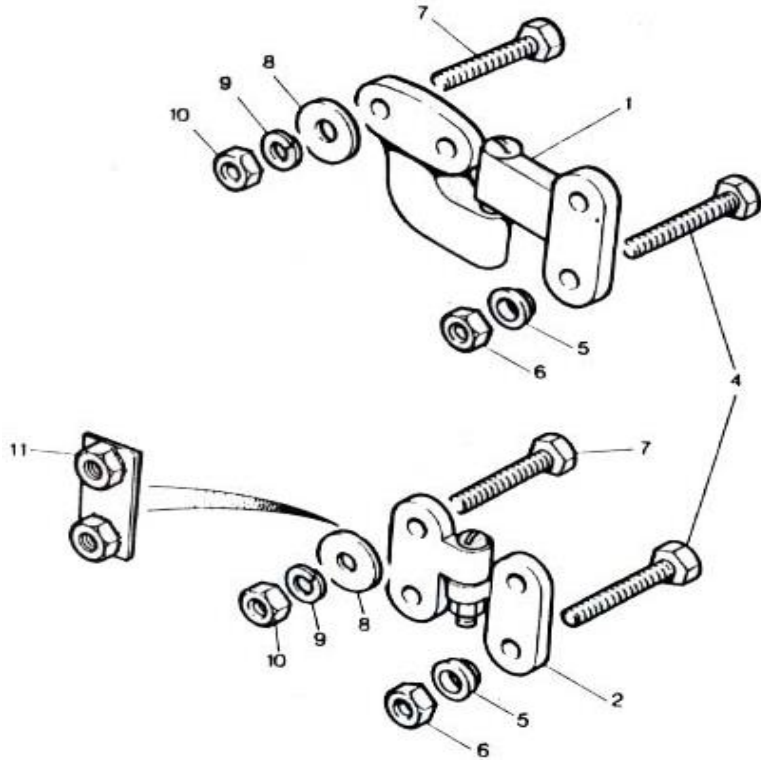
LAND ROVER 110 YEDEK PARÇALARI

12-72

ŞAŞİ VE GÖVDE-CHASSIS AND BODY

GÖVDE-ARKA KAPI  
BODY-REAR END DOOR

RES. NO	PARÇA NO	NATO STOK NO	MALZEMENİN ADI	MALZEMENİN YABANCI ADI	KOMP. Mik.	DAG. BİRİMİ
1	333036-LD	2510-99-850-1856	Menteşe-Üst	Hinge-Upper	1	ADET
2	346341-LD	2540-99-812-5089	Menteşe-Orta	Hinge-Centre	1	ADET
	346341-LD	2540-99-812-5089	Menteşe-Alt	Hinge-Lower	1	ADET
4	MWC2140	5305-66-128-5092	Cıvata	Screw	6	ADET
5	MRC1980	2510-99-829-7487	Naylon Pul	Nylon Washer	6	ADET
6	71A00-80203-AA	5310-27-006-2774	Somun	Nut (NH108041)	6	ADET
7	MWC2139	5305-66-128-5093	Cıvata	Screw	6	ADET
8	71A00-80323-AA	5310-99-138-7965	Pul	Plain Washer	6	ADET
9	11000-80302-AA	5310-27-006-2928	Rondela	Spring Washer	6	ADET
10	71A00-80203-AA	5310-27-006-2774	Somun	Nut (NH108041)	4	ADET
11	MTC1042-L	2510-99-776-9691	Somunlu Sac-Orta Mentеше	Nut Plate-Centre Hinge	1	ADET



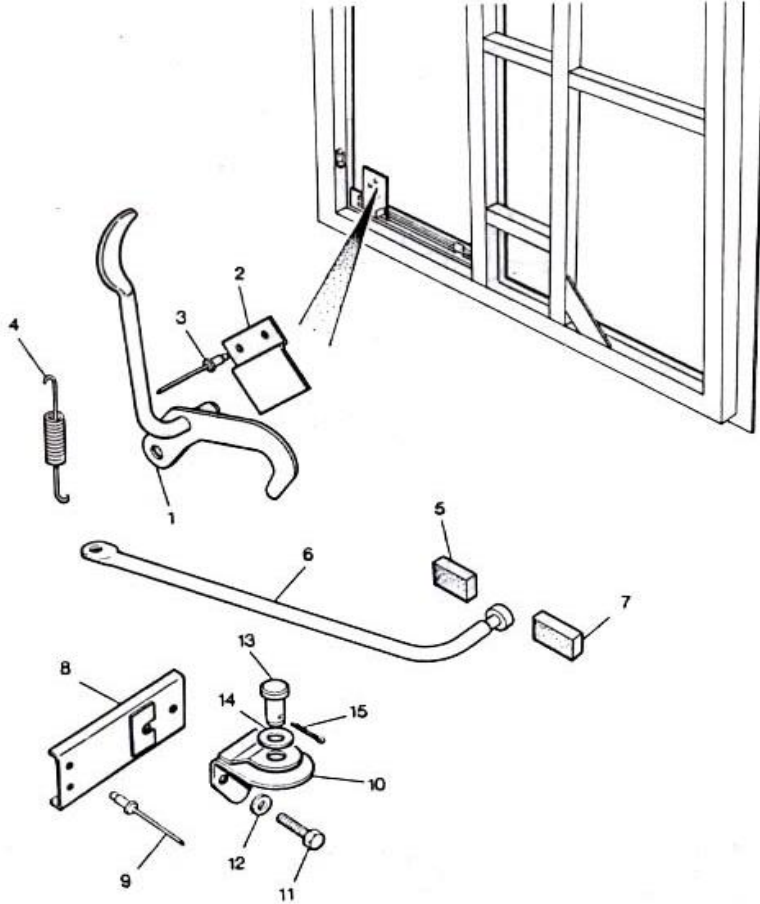
LAND ROVER 110 YEDEK PARÇALARI

12-73

ŞAŞİ VE GÖVDE-CHASSIS AND BODY



**GÖVDE-ARKA KAPI-KAPI KUMANDALARI-ŞASI NO  
FA358790'A KADAR  
BODY-REAR END DOOR-DOOR CHECK-VIN FA358790**



RES. NO	PARÇA NO	NATO STOK NO	MALZEMENİN ADI	MALZEMENİN YABANCI ADI	KOMP. MİK.	DAG. BİRİMİ
1	MUC4474	2510-99-776-9692	Bırakma Kolu	Release Lever	1	ADET
2	MUC4486	5340-66-128-5184	Tutucu	Retainer	1	ADET
3	RA608177L	5320-99-941-7268	Perçin	Rivet	2	ADET
4	MUC4481	5360-99-774-7144	Yay	Spring	1	ADET
5	MUC4545-L	5340-66-128-5180	Lastik Takoz-Kısa	Rubber Buffer-Short	1	ADET
6	MUC4471	2540-66-128-5149	Kumanda Mili	Checkstrap Link	1	ADET
7	MUC4544-L	5340-66-128-5179	Lastik Takoz-Uzun	Rubber Buffer-Long	1	ADET
8	MUC4477	5340-99-453-6472	Bağlantı Braketi	Mounting Bracket	1	ADET
9	78248	5320-99-970-3518	Perçin	Rivet	2	ADET
10	346878	2510-99-824-8457	Destek Braketi	Reatining Bracket	1	ADET
11	11000-80008-AA	5306-27-006-2700	Civata	Screw (SH106201)	2	ADET
12	11000-80301-AA	5310-27-006-2927	Rondela	Spring Washer	2	ADET
13	306564	5315-99-849-8614	Başlıklı Pim	Clevis Pin	1	ADET
14	349931	5310-99-815-8208	Pul	Plain Washer	1	ADET
15	2393	5340-99-196-5460	Kupilya	Split Pin	1	ADET

**LAND ROVER 110 YEDEK PARÇALARI**

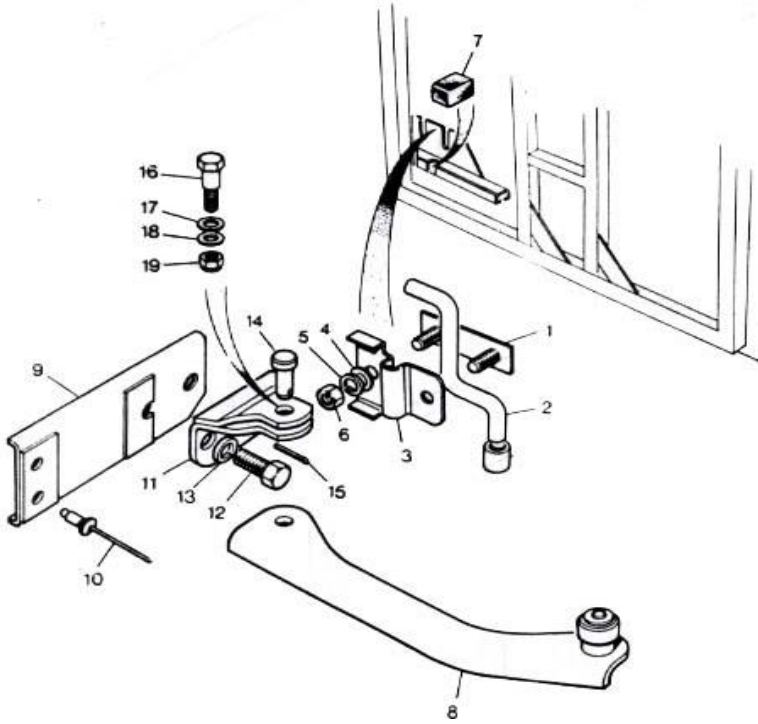
**12-74**

**ŞASI VE GÖVDE-CHASSIS AND BODY**

**GÖVDE-ARKA KAPI-KAPI KUMANDALARI-ŞASI NO  
FA358791'DEN SONRA**

RES. NO	PARÇA NO	NATO STOK NO	MALZEMENİN ADI	MALZEMENİN YABANCI ADI	KOMP. MİK.	DAG. BİRİMİ
1	MUC1961-L	5306-99-024-8863	Civatalı Sac	Bolt Plate	1	ADET

## BODY-REAR END DOOR-DOOR CHECK-FROM VIN



2	MUC1790		Gergi Çubuğu	Torsion Bar and Collar	1	ADET
3	MWC6450-L	3040-99-301-7166	Braket	Bracket	1	ADET
	MWC6450-L	3040-99-301-7166	Pivot Braket	Pivot Bracket	1	ADET
4	71A00-80333-AA	5310-99-740-0784	Pul	Plain Washer (AFU1080)	2	ADET
5	11000-80301-AA	5310-27-006-2927	Rondela	Spring Washer	2	ADET
6	71A00-80201-AA	5310-27-006-2772	Somun	Nut (NH106041)	2	ADET
7	MWC5759-L	5340-66-128-5250	Lastik Takoz	Rubber Buffer	1	ADET
8	MXC5575	2540-99-386-7593	Gergi Kolu	Checkstrap Link	1	ADET
9	MXC2044		Bağlantı Braketi	Mounting Bracket	1	ADET
10	78248	5320-99-970-3518	Pop Perçin	Pop Rivet	2	ADET
11	MXC2047	2510-99-500-1398	Braket	Pivot Bracket	1	ADET
12	11000-80017-AA	5306-27-006-2704	Civata	Screw (SH108251)	2	ADET
13	11000-80302-AA	5310-27-006-2928	Rondela	Spring Washer(WL108001)	2	ADET
14	306564	5315-99-849-8614	Başlıklı Pim	Clevis Pin	1	ADET
15	2393	5315-99-138-2207	Kupilya	Split Pin	1	ADET
16	MXC5549-L	5306-99-859-1828	Civata	Screw	1	ADET
17	71A00-80324-AA	5310-99-122-6475	Pul	Plain Washer	1	ADET
18	11000-80351-AA	5310-27-006-2934	Pul	Plain Washer	1	ADET
19	71A10-80211-AA	5310-27-006-2767	Fiberli Somun	Nyloc Nut(NY106041)	1	ADET

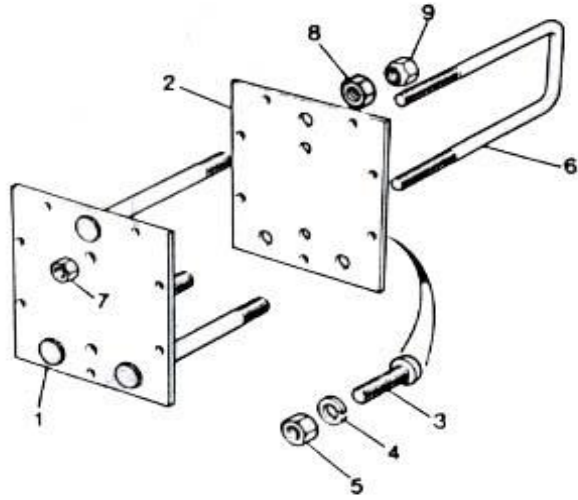
NOT: Önceki bağlantılar.

NOT1: MXC5575'le birlikte kullanılır.

## LAND ROVER 110 YEDEK PARÇALARI

GÖVDE-STEPNE TAŞIYICI (ARKA KAPI) (1989 M.Y.NA KADAR)  
BODY-SPARE WHEEL CARRIER (REAR END DOOR)

12-75		ŞAŞI VE GÖVDE-CHASSIS AND BODY				
RES. NO	PARÇA NO	NATO STOK NO	MALZEMENİN ADI	MALZEMENİN YABANCI ADI	KOMP. MİK.	DAG. BİRİMİ
1	MUC2366-LD	2590-99-051-5137	Stepne Taşıyıcı	Assy S/away	1	ADET
2	MUC2934-LD	2590-99-300-4493	Tutucu Sac	Clamp Plate	1	ADET
3	71A00-81328-AA	5305-27-006-2731	Sac Vidası	Drive Screw (SE106251)	7	ADET
4	11000-80301-AA	5310-27-006-2927	Rondela	Spring Washer	7	ADET
5	11000-80201-AA	5310-27-006-2768	Somun	Nut	7	ADET
6	MUC2364-LD	5306-99-225-4971	U Civata	U Bolt	1	ADET



7	71A00-80212-AA		Somun	Nut	4	ADET
8	71A00-30451-AA		Somun	Nut	3	ADET
9	90577473	5310-99-819-1858	Bijon Somunu	Wheel Nut	3	ADET

### LAND ROVER 110 YEDEK PARÇALARI

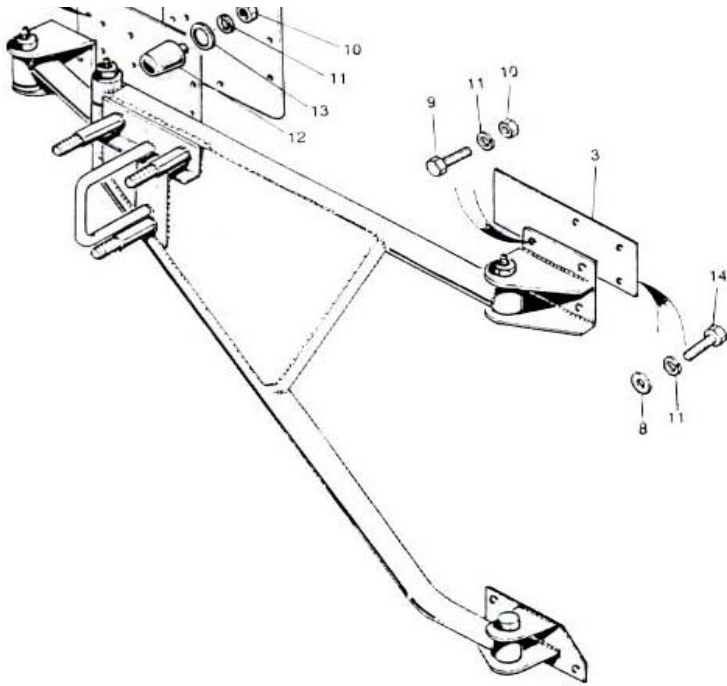
12-76

### ŞAŞİ VE GÖVDE-CHASSIS AND BODY

**GÖVDE-STEPNE TAŞIYICI-S/WAGON (1989 M.Y.DAN SONRA)  
BODY-SWING AWAY CARRIER-S/W (FROM 1989 M.Y.)**



RES. NO	PARÇA NO	NATO STOK NO	MALZEMENİN ADI	MALZEMENİN YABANCI ADI	KOMP. Mik.	DAĞ. BİRİMİ
1	71A00-30466-AB	2590-27-010-1396	Stepne Taşıyıcı Komple	Assy S/away Carrier	1	ADET
2	71A00-30464-AA		Sac	Plate	2	ADET
3	71A00-30462-AA		Sac	Plate	1	ADET
4	71A00-81328-AA	5305-27-006-2731	Sac Vidası	Drive Screw (SE106251)	6	ADET
5	11000-80201-AA	5310-27-006-2768	Somun	Nut	6	ADET
6	11000-80301-AA	5310-27-006-2927	Rondela	Spring Washer	10	ADET
7	11000-80009-AA	5306-27-006-2701	Civata	Screw (SH106251)	4	ADET
8	11000-80354-AA	5310-27-006-2935	Pul	Washer	1	ADET
9	11000-80017-AA	5306-27-006-2704	Civata	Screw (SH108251)	3	ADET
10	11000-80203-AA	5310-27-006-2769	Somun	Nut	4	ADET



11	11000-80302-AA	5310-27-006-2928	Rondela	Spring Washer	5	ADET
12	71A00-30470-AA		Lastik Takoz Komple	Rubber Stop Assy	1	ADET
13	71A00-30478-AA		Pul	Washer	3	ADET
14	11000-80014-AA	5306-27-006-2702	Civata	Screw (SH108161)	1	ADET

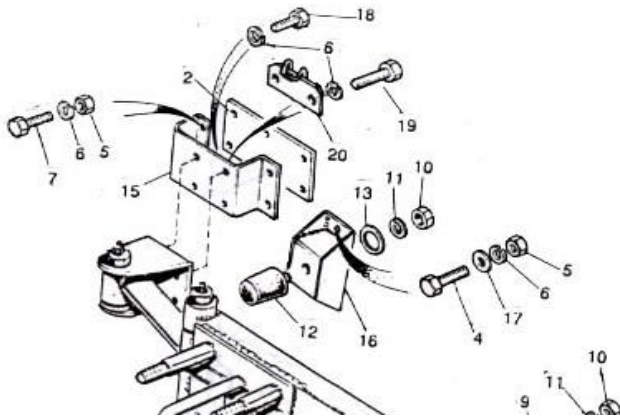
### LAND ROVER 110 YEDEK PARÇALARI

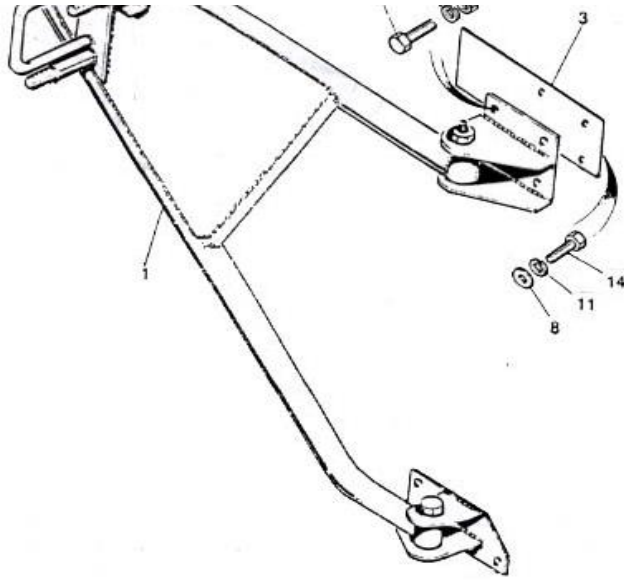
12-77

### ŞAŞİ VE GÖVDE-CHASSIS AND BODY

### GÖVDE-STEPNE TAŞIYICI-TENTELİ

RES. NO	PARÇA NO	NATO STOK NO	MALZEMENİN ADI	MALZEMENİN YABANCI ADI	KOMP. MİK.	DAG. BİRİMİ
1	71A00-30466-AB	2590-27-010-1396	Stepne Taşıyıcı Komple	Assy S/Away Carrier	1	ADET
2	71A50-30478-AA		Sac	Plate	1	ADET
3	71A00-30462-AA		Sac	Plate	1	ADET
4	11000-80007-AA	5306-27-006-2699	Civata	Screw (SH106161)	2	ADET
5	11000-80201-AA	5310-27-006-2768	Somun	Nut	8	ADET
6	11000-80301-AA	5310-27-006-2927	Rondela	Spring Washer	12	ADET
7	11000-80008-AA	5306-27-006-2700	Civata	Screw (SH106201)	6	ADET
8	11000-80354-AA	5310-27-006-2935	Pul	Washer	1	ADET
9	11000-80017-AA	5306-27-006-2704	Civata	Screw (SH108251)	3	ADET
10	11000-80203-AA	5310-27-006-2769	Somun	Nut	4	ADET
11	11000-80302-AA	5310-27-006-2928	Rondela	Spring Washer	5	ADET
12	71A00-30470-AA		Lastik Takoz Komple	Rubbing Stop Assy	1	ADET
13	71A00-30478-AA		Pul	Washer	3	ADET
14	11000-80014-AA	5306-27-006-2702	Civata	Screw (SH108161)	3	ADET





15	71A50-30482-AA		Braket	Bracket	1	ADET
16	71A50-30486-AA		Braket Komple	Bracket Assy	2	ADET
17	11000-80351-AA	5310-27-006-2934	Pul	Plain Washer	2	ADET
18	11000-80006-AA	5305-99-122-5359	Civata	Screw (SH106121)	4	ADET
19	71A10-80068-AA	5306-27-006-2716	Civata	Screw (SH106141)	2	ADET
20	71A50-70070-AA		Kanca Komple	Rope Hook Assy	1	ADET

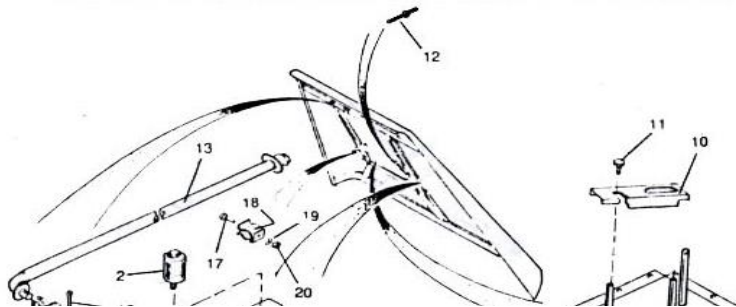
### LAND ROVER 110 YEDEK PARÇALARI

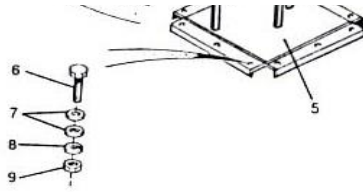
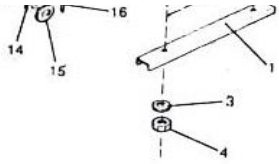
12-78

### ŞAŞI VE GÖVDE-CHASSIS AND BODY

### GÖVDE-KAPUT ÜSTÜ STEPNE TAŞIYICI BODY-SPARE WHEEL CARRIER ON BONNET

RES. NO	PARÇA NO	NATO STOK NO	MALZEMENİN ADI	MALZEMENİN YABANCI ADI	KOMP. MİK.	DAG. BİRİMİ
1	71A30-30330-AA		Takviye Braketi	Support Bracket	2	ADET
2	MRC4619-L	2510-99-796-6141	Takoz	Buffer	4	ADET
3	11000-80354-AA	5310-27-006-2935	Pul	Washer	4	ADET
4	14C01-80243-AA	5310-27-006-2761	Fiberli Somun	Nyloc Nut	4	ADET
5	71A30-30332-AA		Stepne Taşıyıcı	Spare Wheel Carrier	1	ADET
6	71A10-80074-AA	5306-27-006-2717	Civata	Screw(SH105161)	12	ADET
7	11000-80350-AA	5310-27-006-2933	Pul	Washer	24	ADET
8	11000-80300-AA	5310-27-006-2926	Rondela	Spring Washer	12	ADET
9	11000-80200-AA		Somun	Nut	12	ADET
10	71A30-30331-AA		Stepne Sıkıştırma Parçası	Bracket	1	ADET
11	MRC4473-L	5305-99-796-6140	Civata	Bolt	2	ADET
12	RA612237	5320-99-581-6699	Perçin	Rivet	23	ADET
13	MTC2220-L	2540-99-793-9155	Kaput Kolu	Bonnet Lever	1	ADET
14	WS600061	5310-99-722-6371	Yaylı Rondela	Spring Washer	1	ADET
15	71A00-80327-AA	5310-99-122-6476	Pul	Washer(WA110061)	1	ADET
16	11000-80426-AA		Kopilya	Split Pin	1	ADET
17	71A00-81353-AA		Civata	Screw	1	ADET





	12A14-80175-AA		Civata	Screw	1	ADET
18	MRC7623-L	5340-99-796-8998	Tutucu Braket	Retaining Bracket	1	ADET
	71A00-57400-AA	5325-27-006-2876	Tutucu Kaput Kolu	Retaining Bracket	1	ADET
19	14C01-80243-AA	5310-27-006-2761	Rondela	Spring Washer	1	ADET
	11000-80350-AA	5310-27-006-2933	Pul	Plain Washer	1	ADET
20	71A00-80228-AA	5310-99-122-6456	Fiberli Somun	Nyloc Nut	1	ADET
	71A10-80208-AA		Somun	Nut	1	ADET

NOT1: Haziran 1992'ye kadar.  
NOT2: Haziran 1992'den itibaren.

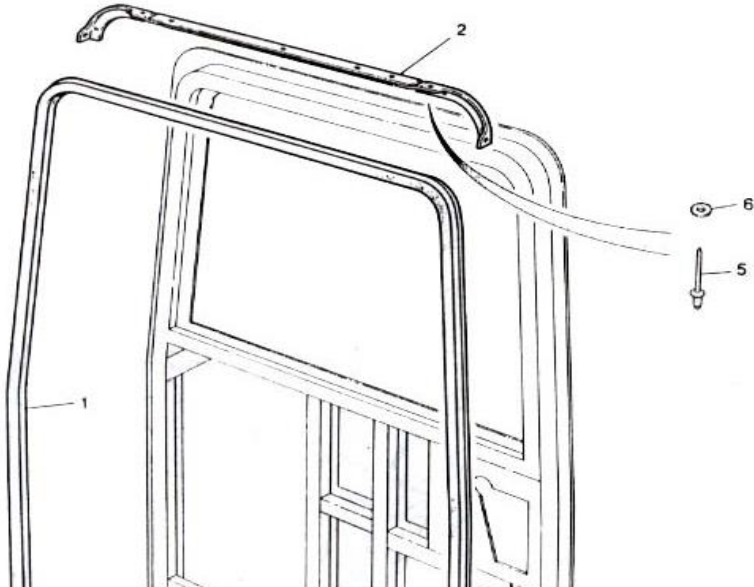
## LAND ROVER 110 YEDEK PARÇALARI

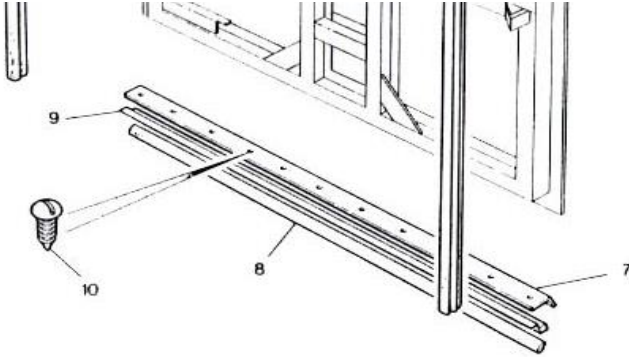
12-79

## ŞAŞI VE GÖVDE-CHASSIS AND BODY

### GÖVDE-ARKA KAPI LASTİKLERİ

RES. NO	PARÇA NO	NATO STOK NO	MALZEMENİN ADI	MALZEMENİN YABANCI ADI	KOMP. MİK.	DAĞ. BİRİMİ
1	MTC4111-LD	5330-99-500-5065	Lastik-Arka Kapı	Seal-Rear End Door	1	ADET
2	MTC4290	2510-99-850-1813	Lastik Tutucu	Seal Retainer	1	ADET
5	RU612373L	5320-99-120-9002	Perçin	Rivet	9	ADET
6	71A00-80381-AA	5310-27-006-2968	Pul	Plain Washer (AFU1256)	9	ADET
7	333203-LD	2510-99-850-1858	Koruma Şeridi	Protection Strip	1	ADET
8	332564-LD	2510-99-850-1860	Lastik Kapı-Alt	Seal-Door Bottom	1	ADET
9	332756-LD	2510-99-850-1859	Lastik Tutucu	Seal Retainer	1	ADET
10	11000-81346-AA	5306-27-006-2740	Sac Vidası	Drive Screw	13	ADET





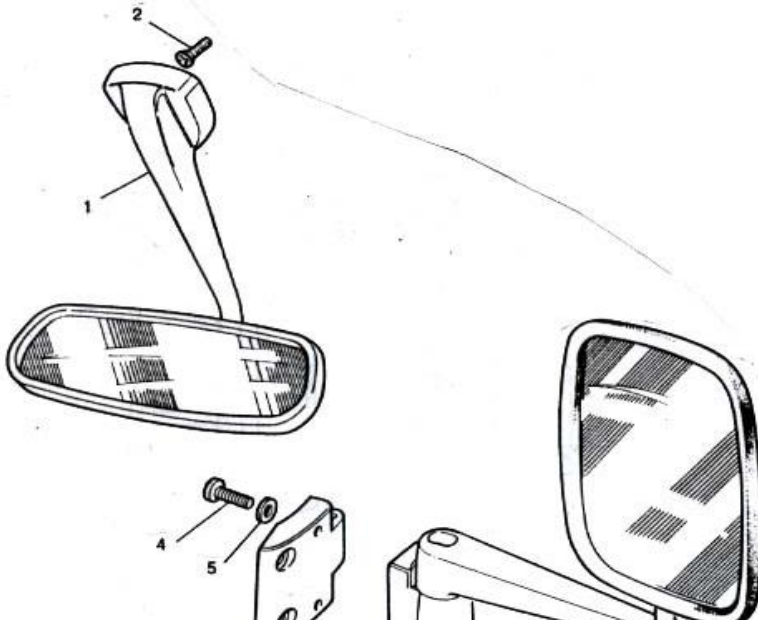
LAND ROVER 110 YEDEK PARÇALARI

12-80

ŞAŞI VE GÖVDE-CHASSIS AND BODY

GÖVDE-AYNALAR-İÇ VE DIŞ  
BODY-MIRROST-INTERIOR AND EXTERIOR

RES. NO	PARÇA NO	NATO STOK NO	MALZEMENİN ADI	MALZEMENİN YABANCI ADI	KOMP. Mik.	DAĞ. Birimi
1	71A00-72010-AA	2540-27-005-9895	İç Ayna Komple	Interior Mirror Assy	1	ADET
2	71A00-80417-AA	5305-27-006-8291	Civata	Screw (SF104204)	3	ADET
	14C01-80128-AA	5305-99-122-5279	Civata	Screw (SF104164)	3	ADET
3	71A00-70011-AA		Dış Ayna Komple Sağ	Exterior Mirror Assy RH	1	ADET
	71A00-70012-AA		Dış Ayna Komple Sol	Exterior Mirror Assy LH	1	ADET
	MTC5217-LD	2540-27-005-9894	Dış Ayna	Exterior Mirror	2	ADET
4	71A00-81328-AA	5305-27-006-2731	Civata	Screw (SE106251)	4	ADET
5	MRC1979	5340-99-138-0387	Naylon Pul	Nylon Washer	4	ADET





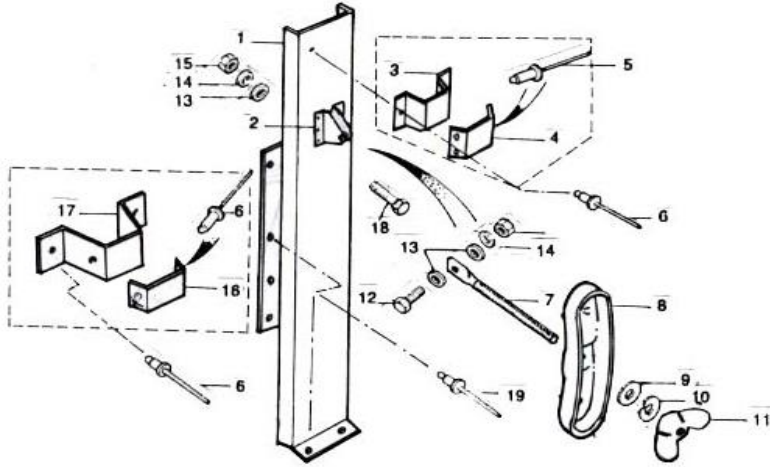
NOT1: Trimli araçlarda.  
 NOT2: Trimsiz araçlarda.  
 NOT3: Şasi No 8FF471676'ya kadar.  
 NOT4: Şasi No 8FF471676'dan itibaren.

## LAND ROVER 110 YEDEK PARÇALARI

12-81

## ŞASI VE GÖVDE-CHASSIS AND BODY

### GÖVDE-ARKA ALT GÖVDE -STEPNE TAŞIYICI (ASKERİ PİKAP) BODY-REAR BODY LOWER-SPARE WHEEL



RES. NO	PARÇA NO	NATO STOK NO	MALZEMENİN ADI	MALZEMENİN YABANCI ADI	KOMP. MİK.	DAĞ. BİRİMİ
1	72A10-30330-AA		Stepne Taşıyıcı	Spare Wheel Carrier	1	ADET
2	72A10-30333-AA		Sac	Plate	2	ADET
3	72A10-30331-AA		Hut Profil	Rubbing Bracket	1	ADET
4	72A10-30335-AA		Lastik (50x80)	Rubbing Strip (50x80)	1	ADET
5	11000-80409-AA		Pop Perçin	Pop Rivet	4	ADET
6	RU612253	5320-99-322-2855	Pop Perçin	Pop Rivet	10	ADET
7	72A00-30334-AA		Civata-Mafsallı	Tie Bar	1	ADET
8	71A00-30604-AA		Stepne Sıkıştırıcı	Clamp	1	ADET
9	71A00-80332-AA	5310-27-006-2953	Pul	Plain Washer	1	ADET
10	11000-80303-AA	5310-27-006-2929	Rondela	Spring Washer	1	ADET
11	71A40-80223-AA		Kelebek Somun	Wing Nut	1	ADET
12	11000-80009-AA	5306-27-006-2701	Civata	Screw (SH106251)	1	ADET
13	11000-80351-AA	5310-27-006-2934	Pul	Plain Washer	8	ADET
14	11000-80301-AA	5310-27-006-2927	Rondela	Spring Washer	7	ADET
15	71A00-80201-AA	5310-27-006-2772	Somun	Nut (NH106041)	7	ADET
16	72A10-30336-AA		Lastik 30x85	Rubbing Strip	2	ADET
17	72A00-30332-AA		Hut Profil	Rubbing Bracket	2	ADET
18	11000-80008-AA	5306-27-006-2700	Civata	Screw (SH106201)	6	ADET
19	RA612437		Pop Perçin	Pop Rivet	10	ADET



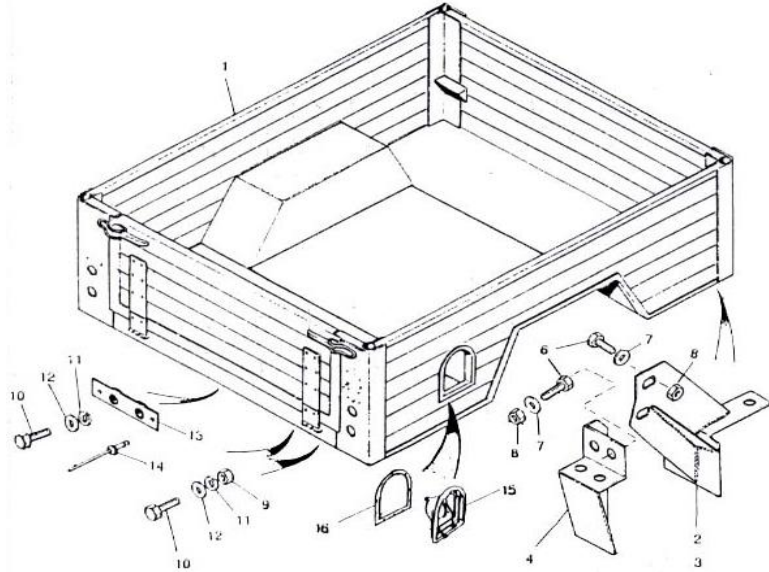
LAND ROVER 110 YEDEK PARÇALARI

12-82

ŞAŞİ VE GÖVDE-CHASSIS AND BODY

GÖVDE-ARKA KASA KOMPLE VE ŞAŞİ BAĞLANTILARI (ASKERİ PİKAP)  
BODY-REAR BODY LOWER ASSY AND FIXINGS

RES. NO	PARÇA NO	NATO STOK NO	MALZEMENİN ADI	MALZEMENİN YABANCI ADI	KOMP. MİK.	DAG. BİRİMİ
1	72A10-60000-AB		Arka Kasa Komple	Rear Body Lower Assy	1	ADET
2	72A10-60204-AA	2541-27-006-2896	Braket Komple-Sağ	Bracket Assy-RH	1	ADET
3	72A10-60202-AA	2541-27-006-2895	Braket Komple-Sol	Bracket Assy-LH	1	ADET
4	72A10-60214-AA	2541-27-006-2897	Sac Komple-Sağ	Plate Assy-RH	1	ADET
5	72A10-60215-AA	2541-27-006-2898	Sac Komple-Sol	Plate Assy-LH	1	ADET
6	11000-80034-AA	5306-27-006-2708	Civata	Screw (SH110251)	16	ADET
7	11000-80327-AA	5310-99-122-6476	Pul	Plain Washer	20	ADET
8	12B00-80224-AA	5310-27-006-2760	Fiberli Somun	Nyloc Nut (NY110041)	16	ADET
9	71A00-80203-AB	5310-99-122-5496	Somun	Nut (NY108041)	8	ADET
10	11000-80016-AA	5306-27-006-2703	Civata	Screw (SH108251)	10	ADET
11	11000-80302-AA	5310-27-006-2928	Rondela	Spring Washer	10	ADET
12	71A00-80324-AA	5310-99-122-6475	Pul	Plain Washer	20	ADET
13	MRC8736-L	5310-99-852-5460	Somunlu Sac	Nut Plate	1	ADET
14	72A10-60072-AA	5320-27-006-8282	Perçin	Rivet	2	ADET
15	MTC3569-L		Yakıt Dolum Ağızı	Cowl Fuel Filler	1	ADET
16	72A10-60100-AA		Sac-Yakıt Dolum Ağızı	Plate-Cowl Fuel Filler	1	ADET



LAND ROVER 110 YEDEK PARÇALARI		12-83	ŞAŞI VE GÖVDE-CHASSIS AND BODY			
RES. NO	PARÇA NO	NATO STOK NO	MALZEMENİN ADI	MALZEMENİN YABANCI ADI	KOMP. MİK.	DAĞ. BİRİMİ
1	72A12-70253-AA		Kapak Sabitleyici Pim	Steady Pin-Cover	4	ADET
2	72A12-60212-AA		Kapak Sabitleme Yatağı Alt Lastiği	Lower Rubber-Cover Bolt Bearing	4	ADET
3	72A12-70251-AA		Sabitleme Pim Yatağı	Bolt Bearing	4	ADET
4	71B21-72540-AA		Sabitleme Pim Lastiği	Rubber-Steady Pin	4	ADET
5	72A12-60206-AA		Kapak Sabitleme Pimi Bağl.Braketi	Mounting Bracket	4	ADET
6	12B01-80089-AA	5305-99-607-6673	Civata	Screw	8	ADET
7	11000-80351-AA	5310-27-006-2934	Pul	Plain Washer	16	ADET
8	71A00-80201-AA	5310-27-006-2772	Somun	Nut	8	ADET
9	11000-80301-AA	5310-27-006-2927	Rondela	Spring Washer	8	ADET
10	11000-80016-AA	5306-27-006-2703	Civata	Screw	8	ADET
11	11000-80302-AA	5310-27-006-2928	Rondela	Spring Washer	8	ADET
12	71A00-80204-AA	5310-27-006-2775	Somun	Nut	8	ADET
13	11000-80354-AA	5310-27-006-2935	Pul	Plain Washer	8	ADET
14	14C01-80089-AA		Civata	Screw	8	ADET
15	71A10-80211-AA	5310-27-006-2767	Fiberli Somun	Nyloc Nut	8	ADET
16	11000-80351-AA	5310-27-006-2934	Pul	Plain Washer	8	ADET

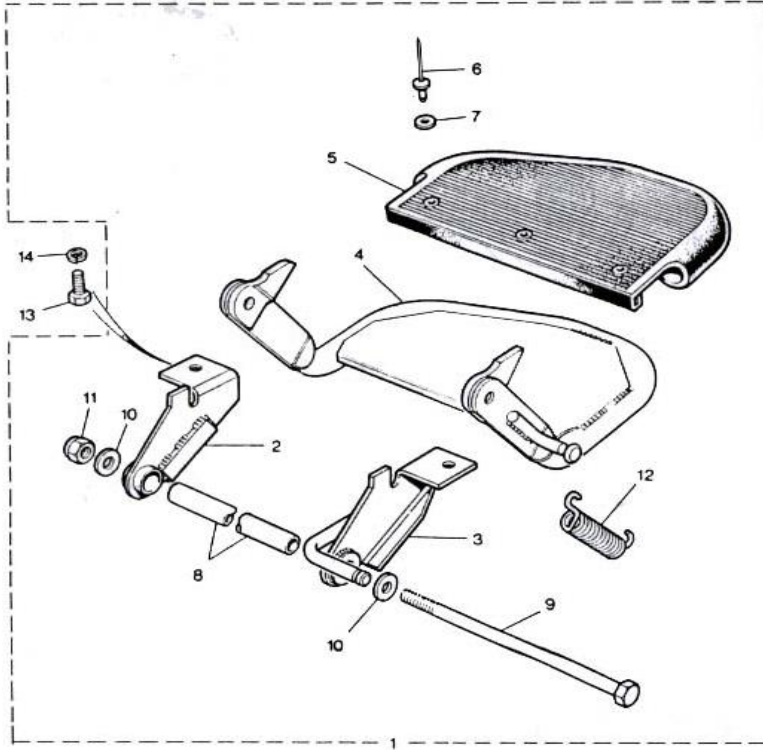
## LAND ROVER 110 YEDEK PARÇALARI

12-84

## ŞAŞI VE GÖVDE-CHASSIS AND BODY

## GÖVDE-KATLANIR BASAMAK (ARKA KAPI)

RES. NO	PARÇA NO	NATO STOK NO	MALZEMENİN ADI	MALZEMENİN YABANCI ADI	KOMP. Mik.	DAĞ. BİRİMİ
1	MTC3084-L	2590-99-978-2328	KATLANABİLİR ARKA BASAMAK KMPL	FOLDING REAR STEP ASSEMBLY	1	ADET
2	MTC3086-L		Boru Tutucu-Sağ	Tube Retainer-RH	1	ADET
3	MTC3087-L		Boru Tutucu-Sol	Tube Retainer-LH	1	ADET
4	MTC3085-L		Basamak	Step	1	ADET
5	MTC3091-L	2540-99-797-6087	Kaplama	Mat	1	ADET
6	RA612373	5320-99-877-1046	Perçin	Rivet	7	ADET
7	71A00-80315-AA	5310-99-122-3032	Pul	Plain Washer	7	ADET
8	MTC3099-L		Boru	Tube	1	ADET
9	BH110521-L	5306-99-122-2776	Civata	Bolt	1	ADET
10	71A00-80326-AA	5310-27-006-2950	Pul	Plain Washer	2	ADET
11	12B00-80224-AA	5310-27-006-2760	Fiberli Somun	Nyloc Nut (NY110041)	1	ADET
12	MTC1233-L	5360-99-797-6083	Yay	Spring	1	ADET
13	11000-80034-AA	5306-27-006-2708	Civata	Screw (SH110201)	2	ADET
14	11000-80303-AA	5310-27-006-2929	Rondela	Spring Washer	2	ADET



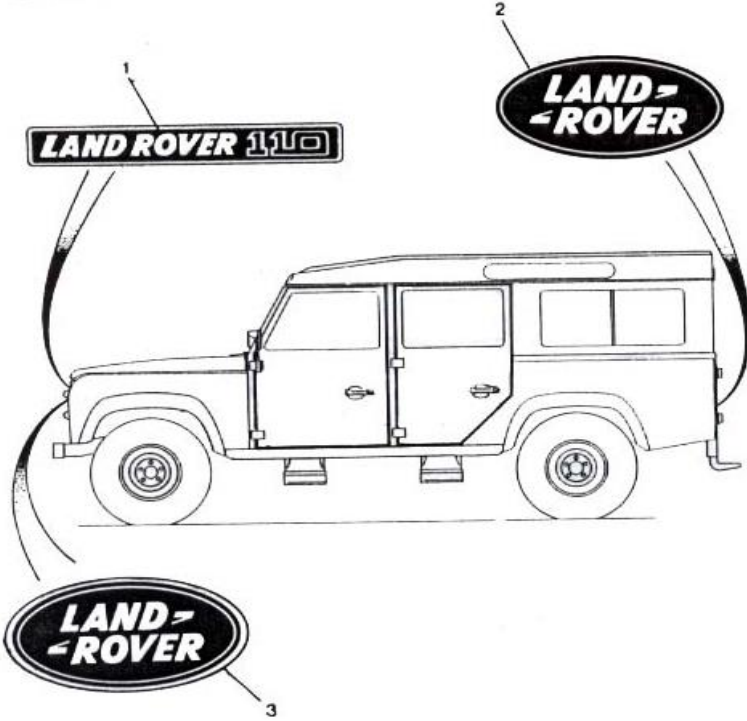
## LAND ROVER 110 YEDEK PARÇALARI

12-86

## ŞAŞİ VE GÖVDE-CHASSIS AND BODY

GÖVDE-İSİM ÇIKARTMALARI VE RADYATÖR  
GRİL ARMASI  
BODY-NAME TAPES AND GRILLE BADGE

RES. NO	PARÇA NO	NATO STOK NO	MALZEMENİN ADI	MALZEMENİN YABANCI ADI	KOMP. Mik.	DAG. Birimi
1	MUC2003-L		Ön Çıkartma	Tape Logo Front	1	ADET
2	MXC6401-L	7690-99-051-6914	Arka Çıkartma	Tape Logo Rear	1	ADET
3	MXC6402	2540-66-128-6100	Radyatör Gril Arması	Radiator Grille Bodge	1	ADET



## LAND ROVER 110 YEDEK PARÇALARI

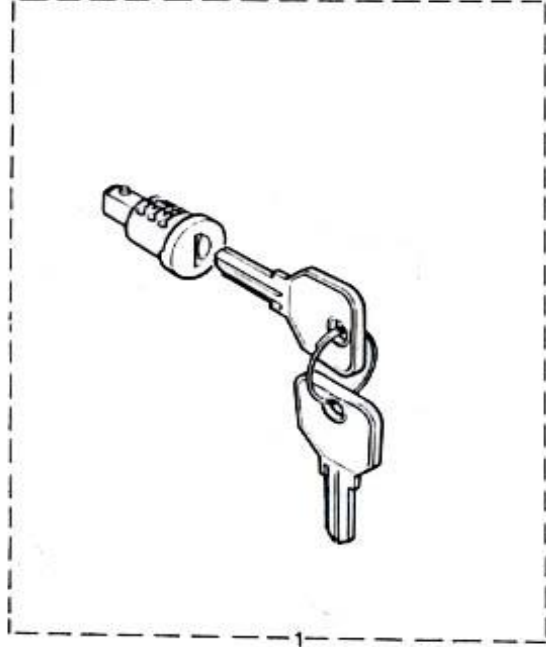
12-86

## ŞAŞİ VE GÖVDE-CHASSIS AND BODY

## GÖVDE-KİLİTLER İÇİN GÖVDE VE ANAHTAR

RES. NO	PARÇA NO	NATO STOK NO	MALZEMENİN ADI	MALZEMENİN YABANCI ADI	KOMP. Mik.	DAG. Birimi
---------	----------	--------------	----------------	------------------------	------------	-------------

**SETLERİ**  
**BODY-BARREL AND KEY SETS FOR LOCKS**



1			GÖBEK VE ANAHTAR SETLERİ	BARREL & KEY SET	1	ADET
	MTC6504	2540-99-740-2711	3 Göbek ve 2 Anahtar (Pikap)	3 Barrels & 2 Keys (HCPU)	1	ADET
	MTC6505	2540-99-756-5899	4 Göbek ve 2 Anahtar (Staysın Vagon)	4 Barrel & 2 Keys (Station Vagon)	1	ADET
	395141	2920-99-804-8420	1 Göbek ve 2 Anahtar	1 Barrel & 2 Keys	1	ADET
	395141	2920-99-804-8420	1 Göbek ve 2 Anahtar	1 Barrel & 2 Keys	1	ADET

NOT1: Arka kapılarda sai no 314268'den sonra.  
NOT2: Yandan menteşeli arka kapılarda 395041 nolu kilit ile birlikte.

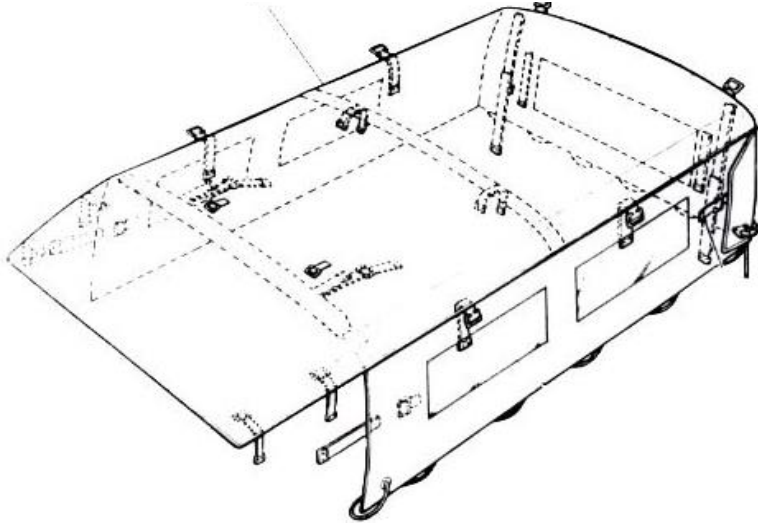
**LAND ROVER 110 YEDEK PARÇALARI**

**12-87**

**ŞAŞİ VE GÖVDE-CHASSIS AND BODY**

**GÖVDE-TENTE**

RES. NO	PARÇA NO	NATO STOK NO	MALZEMENİN ADI	MALZEMENİN YABANCI ADI	KOMP. Mik.	DAĞ. BİRİMİ
1	RRC5307-LD		Tente Komplexi-Haki	Hood Assembly-Khaki	1	ADET
	71A50-70500-AA		3 Parçalı Fermuarlı Tente Haki	3 Piece Zippered Hood Khaki	1	ADET



NOT1: İsteğe bağlı olarak.

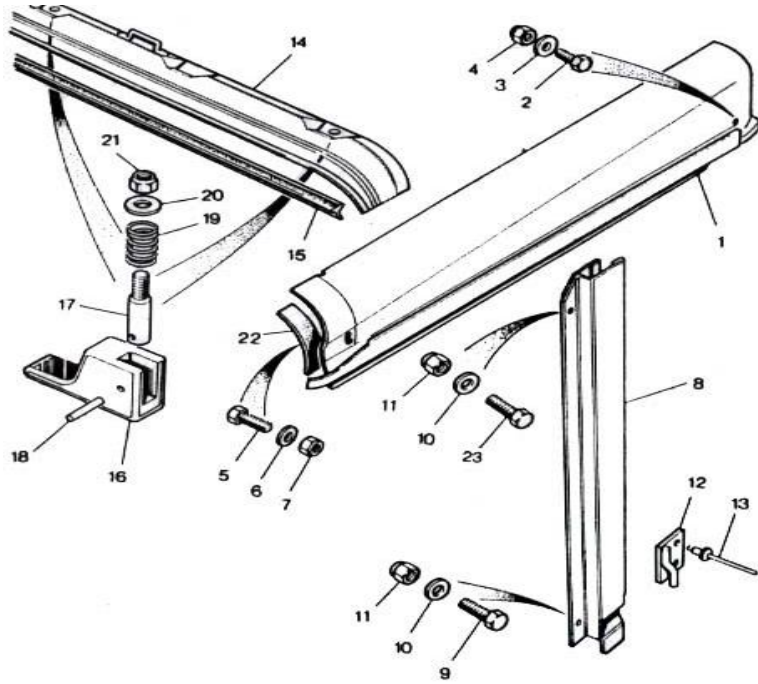
### LAND ROVER 110 YEDEK PARÇALARI

12-88

### ŞAŞİ VE GÖVDE-CHASSIS AND BODY

#### GÖVDE-ÖN BAĞLANTILAR TENTE BODY-FRONT FITTINGS HOOD

RES. NO	PARÇA NO	NATO STOK NO	MALZEMENİN ADI	MALZEMENİN YABANCI ADI	KOMP. MİK.	DAĞ. BİRİMİ
1	RRC3973	2510-99-599-0330	Ust Yağmur Oluğu-Sağ/Boyanmış	Top Drain Channel RH Painted	1	ADET
	MUC4042	2510-99-256-2936	Ust Yağmur Oluğu-Sağ Galvanizli	Top Drain Channel RH Galvanised	1	ADET
	AFU162		Kanca-Üst Yağmur Oluğu	Hook-Top Drain Channel	4	ADET
	MUC4538	5330-99-737-3381	Conta	Seal	2	ADET
2	11000-80008-AA	5306-27-006-2700	Civata	Screw (SH106201)	2	ADET
3	71A00-80333-AA	5310-99-740-0784	Pul	Plain Washer (AFU1080)	4	ADET



4	71A00-80211-AA	5310-99-138-8423	Kilitli Somun	Lock Nut (NY106041)	2	ADET
5	11000-80007-AA	5306-27-006-2699	Civata	Screw (SH106161)	2	ADET
6	71A00-80333-AA	5310-99-740-0784	Pul	Plain Washer (AFU1080)	4	ADET
	302373-L	5310-99-849-8248	Lastik Pul	Rubber Washer	2	ADET
7	71A00-80211-AA	5310-99-138-8423	Kilitli Somun	Lock Nut (NY106041)	2	ADET
8	MTC5429	2510-99-829-4701	Yan Yağmur Oluğu-Sol/Boyanmış	Side Drain Channel LH Painted	1	ADET
	MTC5428	2510-99-051-0315	Yan Yagmur Oluğu-Sağ/Galv.	Side Drain Channel RH Galv.	1	ADET
9	11000-80007-AA	5306-27-006-2699	Civata	Screw (SH106161)	2	ADET
10	71A00-80332-AA	5310-27-006-2953	Pul	Plain Washer (AFU1080)	8	ADET
11	71A00-80211-AA	5310-99-138-8423	Kilitli Somun	Lock Nut (NY106041)	4	ADET
12	RRC3407		Ön Kanca Sol-Boyanmış	Front Hook LH Painted	1	ADET
	330578	2510-99-850-1417	Ön Kanca Sağ-Galvanizli	Front Hook RH Galvanised	1	ADET
	RRC3406		Ön Kanca Sol-Boyanmış	Front Hook LH Painted	1	ADET
	330579	2510-99-850-1418	Ön Kanca Sağ-Galvanizli	Front Hook RH Galvanised	1	ADET
13	RU612253L	5320-99-322-2855	Perçin	Rivet	4	ADET
14	MTC9773	2510-99-256-2937	Alınlık	Header Rail	1	ADET
15	MTC7252	5335-99-737-3380	Conta-Alınlık/Ön Cam Arası	Seal-Header Rail to W/Scr.	1	ADET

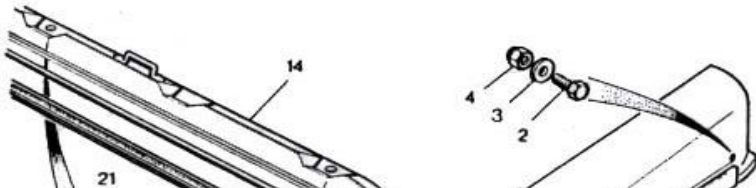
## LAND ROVER 110 YEDEK PARÇALARI

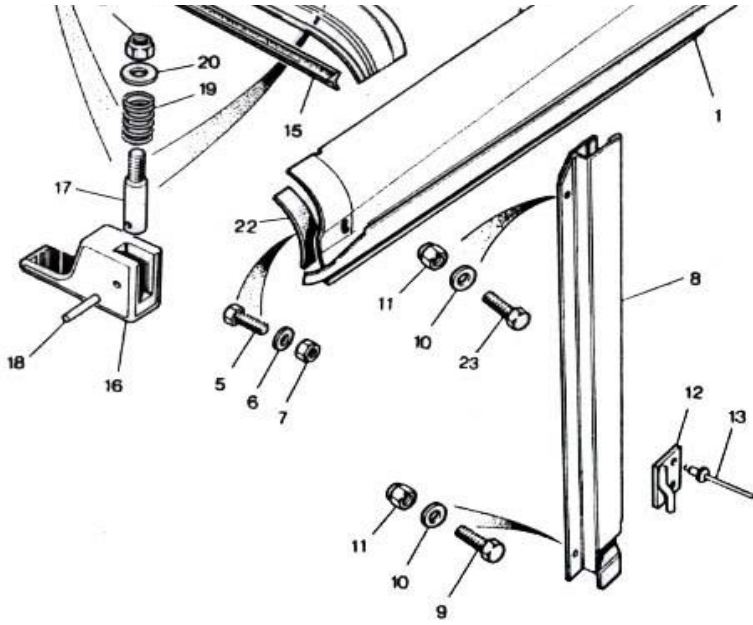
12-89

## ŞAŞI VE GÖVDE-CHASSIS AND BODY

### GÖVDE-ÖN BAĞLANTILAR TENTE BODY-FRONT FITTINGS HOOD

RES. NO	PARÇA NO	NATO STOK NO	MALZEMENİN ADI	MALZEMENİN YABANCI ADI	KOMP. MİK.	DAG. BİRİMİ
17	MTC4583	2540-99-737-3377	Pim	Spindle	4	ADET
18	PA106201	5315-99-120-8129	Yaylı Pim	Spring Pin	4	ADET
19	MTC4584	5360-99-737-3378	Yay	Spring	4	ADET
20	71A00-80318-AA	5310-99-139-0070	Pul	Plain Washer (WC106041)	4	ADET
21	71A10-80211-AA	5310-27-006-2767	Fiberli Somun	Nyloc Nut (NY106041)	4	ADET
22	MTC7431	5330-99-737-3379	Conta	Seal	2	ADET
	MUC4061	2540-99-776-9098	Kayış-Tenteden Alınlığa	Strap-Hood to Header Rail	2	ADET
23	11000-80008-AA	5306-27-006-2700	Civata	Screw	2	ADET





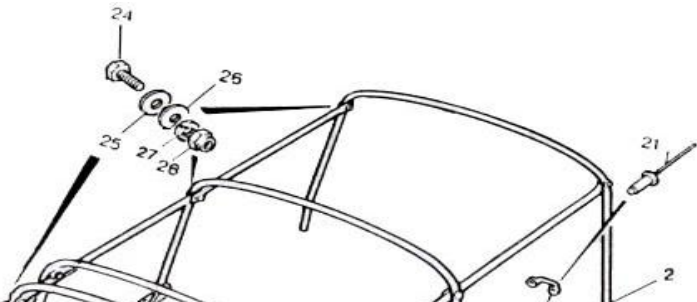
## LAND ROVER 110 YEDEK PARÇALARI

12-90

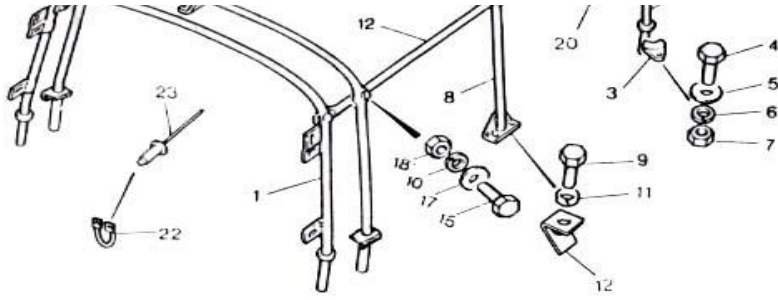
## ŞAŞİ VE GÖVDE-CHASSIS AND BODY

### GÖVDE-TENTE ÇUBUKLARI

RES. NO	PARÇA NO	NATO STOK NO	MALZEMENİN ADI	MALZEMENİN YABANCI ADI	KOMP. MİK.	DAG. BİRİMİ
1	MUC2121-LD		Tente Çubuğu-Ön	Hoodstick-Front	1	ADET
2	MUC2120-LD		Tente Çubuğu-Arka	Hoodstick-Rear	1	ADET
3	304301	2540-99-849-8380	Sabitleyici Dirsek	Clamp Arm.	4	ADET
4	11000-80019-AA	5306-27-006-2706	Civata	Screw (SH108251)	4	ADET
5	11000-80324-AA	5310-99-122-6475	Pul	Plain Washer	4	ADET
6	11000-80302-AA	5310-27-006-2928	Rondela	Spring Washer	4	ADET
7	71A00-80203-AA	5310-27-006-2774	Somun	Nut (NH108041)	4	ADET
8	MUC2123-LD		Tente Çubuğu-Orta	Hoodstick-Intermediate	1	ADET
9	11000-80009-AA	5306-27-006-2701	Civata	Screw (SH106251)	4	ADET
10	11000-80301-AA	5310-27-006-2927	Rondela	Spring Washer	4	ADET
11	11000-80301-AA	5310-27-006-2927	Rondela	Spring Washer	4	ADET
12	MRC9603	5310-99-788-8133	Somunlu Sac Komple	Assy Nut Plate	4	ADET
13	RRC3249-L	2540-99-776-9100	Bağlantı Borusu Ön	Tie Tube-Front	2	ADET
14	RRC3250-L	2540-99-721-6321	Bağlantı Borusu Orta	Tie Tube-Intermediate	2	ADET
15	MUC2122-LD		Bağlantı Borusu Arka	Tie Tube-Rear	2	ADET
16	11000-80007-AA	5306-27-006-2699	Civata	Screw (SH106161)	4	ADET







17	11000-80351-AA	5310-27-006-2934	Pul	Plain Washer	4	ADET
18	15B00-80250-AA		Şapkalı Somun	Spire Nut	4	ADET
20	395143-L	2540-99-730-8462	Kanca	Rope Hook	2	ADET
21	RA612373	5320-99-877-1046	Perçin	Rivet	4	ADET
22	345699-L	2510-99-820-7552	Toka	Staple-Hood Strap	2	ADET
23	RU612373	5320-99-120-9002	Perçin	Rivet	4	ADET
24	71A50-80084-AA		Civata	Bolt M6x35 DIN 7985	4	ADET
25	11000-80301-AA	5310-27-006-2927	Rondela	Spring Washer	6	ADET
26	11000-80351-AA	5310-27-006-2934	Pul	Washer (WA106041)	6	ADET
27	302373-L	5310-99-849-8248	Lastik Pul	Rubber Washer	6	ADET
28	15B00-80250-AA		Şapkalı Somun	Spire Nut	6	ADET

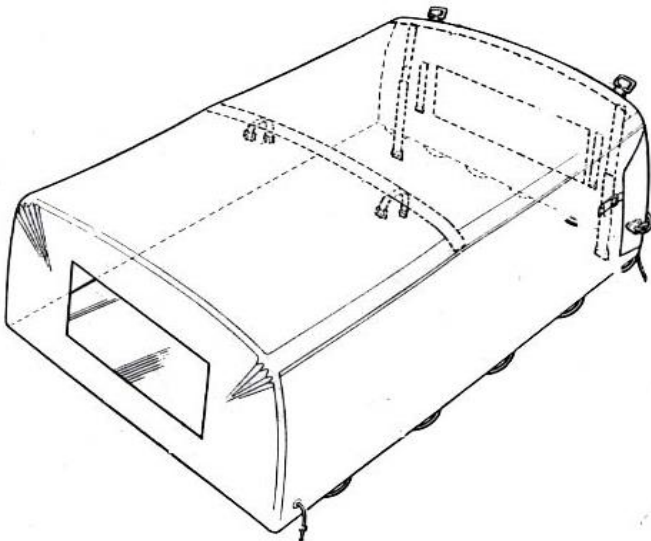
### LAND ROVER 110 YEDEK PARÇALARI

12-91

### ŞAŞI VE GÖVDE-CHASSIS AND BODY

### GÖVDE-TENTE (ASKERİ PİKAP)

RES. NO	PARÇA NO	NATO STOK NO	MALZEMENİN ADI	MALZEMENİN YABANCI ADI	KOMP. MİK.	DAG. BİRİMİ
1	72A10-70500-AB		Tente Komple	Hood Assy	1	ADET
	72A12-70500-AB		Tente Komple	Hood Assy	1	ADET



NOT1:Yandan kapaklı kasa için.

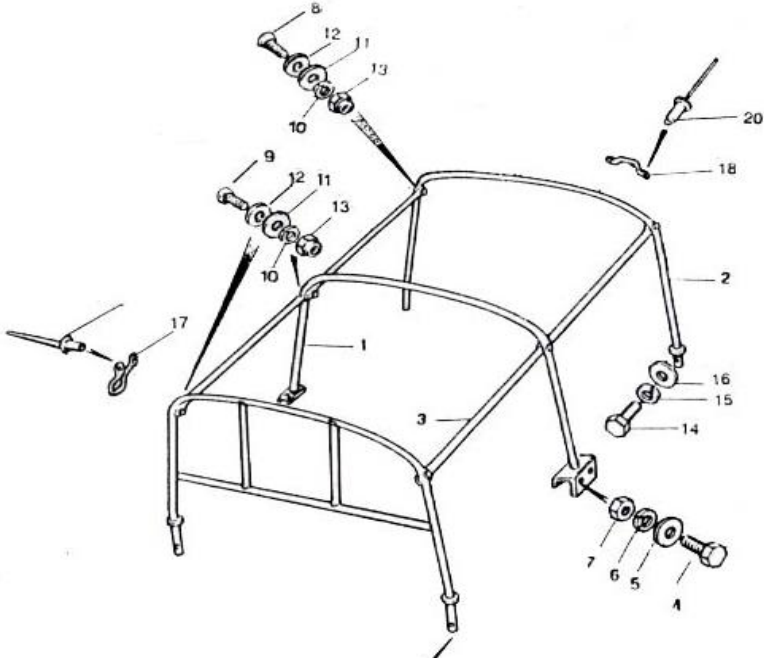
## LAND ROVER 110 YEDEK PARÇALARI

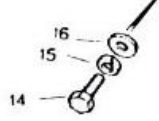
12-92

## ŞAŞİ VE GÖVDE-CHASSIS AND BODY

### GÖVDE-TENTE BORULARI (ASKERİ PİKAP) BODY-HOOD (MILITARY HCPU)

RES. NO	PARÇA NO	NATO STOK NO	MALZEMENİN ADI	MALZEMENİN YABANCI ADI	KOMP. MİK.	DAĞ. BİRİMİ
1	72A10-70511-AA		Tente Borusu Orta	Intermediate Hoodstick	1	ADET
2	72A10-70512-AA	8340-27-010-1321	Tente Borusu Arka	Rear Hoodstick	1	ADET
3	72A10-70513-AA	8340-27-010-1324	Tente Borusu Ara	Tie Tube	4	ADET
4	14C01-80132-AA	5306-27-006-2689	Civata	Bolt (BH106091)	4	ADET
5	11000-80302-AA	5310-27-006-2928	Rondela	Spring Washer	10	ADET
6	11000-80351-AA	5310-27-006-2934	Pul	Plain Washer	14	ADET
7	11000-80201-AA	5310-27-006-2768	Somun	Nut	4	ADET
8	71A50-80084-AA		Civata	Bolt M6x35	4	ADET
9	71A00-81333-AA	5305-99-122-3014	Civata	Screw (SF106401)	2	ADET
10	11000-80301-AA	5310-27-006-2927	Rondela	Spring Washer	6	ADET
11	11000-80351-AA	5310-27-006-2934	Pul	Plain Washer	6	ADET
12	302373-L	5310-99-849-8248	Lastik Pul	Rubber Washer	6	ADET
13	15B00-80250-AA		Şapkalı Somun	Spire Nut	6	ADET
14	11000-80017-AA	5306-27-006-2704	Civata	Screw (SH108251)	4	ADET
15	11000-80302-AA	5310-27-006-2928	Rondela	Spring Washer	4	ADET
16	11000-80354-AA	5310-27-006-2935	Pul	Washer	4	ADET
17	345699-L	2510-99-820-7552	Tente Kancası	Rope Hook	20	ADET
18	395143-L	2540-99-730-8462	Gergi Kancası	Retention Hook	2	ADET
19	RA612373	5320-99-877-1046	Perçin	Rivet	4	ADET
20	RU612373	5320-99-120-9002	Perçin	Rivet	4	ADET



**LAND ROVER 110 YEDEK PARÇALARI****12-93****ŞAŞİ VE GÖVDE-CHASSIS AND BODY****GÖVDE-TENTE BORULARI**

RES. NO	PARÇA NO	NATO STOK NO	MALZEMENİN ADI	MALZEMENİN YABANCI ADI	KOMP. MİK.	DAG. BİRİMİ
1	72A12-70510-AA	4710-27-006-2823	Tente Borusu Ön	Front Hoodstick	1	ADET
2	72A12-70512-AA	4710-27-006-2824	Tente Borusu Arka	Rear Hoodstick	1	ADET
3	72A12-70516-AA	4710-27-006-2827	Tente Borusu Yan	Side Hoodstick	2	ADET
4	72A12-70513-AA	4710-27-006-2825	Tente Borusu Ara	Tie Tube	3	ADET
5	72A12-70515-AA	4710-27-006-2826	Ara Boru-Kısa	Tie Tube-Short	4	ADET
6	71A00-81333-AA	5305-99-122-3014	Civata	Screw	10	ADET
7	72A12-81333-AA	5306-27-006-2723	Civata	Screw	10	ADET
8	11000-80301-AA	5310-27-006-2927	Rondela	Spring Washer	10	ADET
9	11000-80351-AA	5310-27-006-2934	Pul	Plain Washer	10	ADET
10	302373-L	5310-99-849-8248	Lastik Pul	Rubber Washer	10	ADET
11	15B00-80250-AA		Somun	Nut	10	ADET
12	11000-80017-AA	5306-27-006-2704	Civata	Screw	4	ADET
13	11000-80302-AA	5310-27-006-2928	Rondela	Spring Washer	4	ADET
14	11000-80354-AA	5310-27-006-2935	Pul	Plain Washer	4	ADET
15	11000-80206-AA	5310-27-006-2777	Şapkalı Somun	Spire Nut	4	ADET
16	11000-80016-AA	5306-27-006-2703	Civata	Screw	4	ADET
17	11000-80354-AA	5310-27-006-2935	Pul	Plain Washer	4	ADET
18	11000-80302-AA	5310-27-006-2928	Rondela	Spring Washer	4	ADET

NOT:Yandan kapaklı kasaya sahip araçlarda.  
NOT1:Alternatif parçalar.

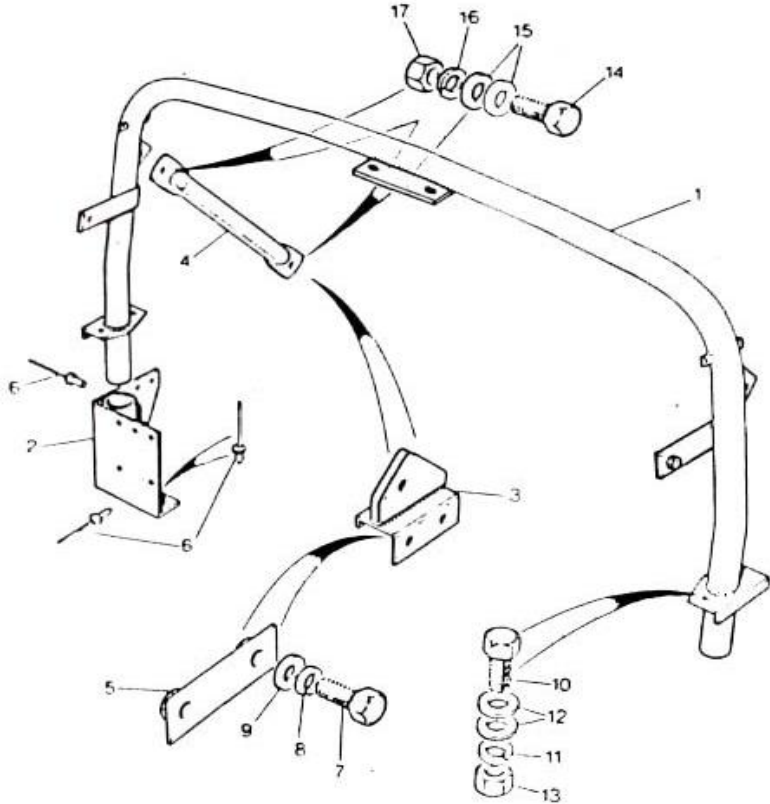
## LAND ROVER 110 YEDEK PARÇALARI

12-94

## ŞASI VE GÖVDE-CHASSIS AND BODY

### DEVİRİLME ÇUBUĞU-TENTELİ

RES. NO	PARÇA NO	NATO STOK NO	MALZEMENİN ADI	MALZEMENİN YABANCI ADI	KOMP. MİK.	DAG. BİRİMİ
1	RRC2946-LD	2510-99-356-4437	Devrilme Çubuğu	Roll Over Bar	1	ADET
2	RRC2922-LD	2590-99-988-3984	Destek Braketi Sağ	Support Bracket RH	1	ADET
	RRC2921-LD	2590-99-300-8980	Destek Braketi Sol	Support Bracket LH	1	ADET
3	RRC2920-LD	2590-99-721-7832	Tutucu Braket Sağ	Stay Bracket RH	1	ADET
	RRC2919-LD	2590-99-056-3450	Tutucu Braket Sol	Stay Bracket LH	1	ADET
4	MTC5516-LD	2510-99-796-6169	Arka Tutucu	Rear Stay	2	ADET
5	MTC5519-L	5310-99-796-6172	Sabitleyici Braket	Fixing Stay Bracket	2	ADET
6	RA612237	5320-99-581-6699	Pop Perçin	Pop Rivet	24	ADET
7	11000-80033-AA	5306-27-006-2707	Civata	Screw (M10x20)	4	ADET
8	11000-80303-AA	5310-27-006-2929	Rondela	Spring Washer	4	ADET
9	71A00-80327-AA	5310-99-122-6476	Pul	Plain Washer	4	ADET
10	11000-80038-AA	5306-27-006-2709	Civata	Screw (SH110301)	4	ADET
11	11000-80303-AA	5310-27-006-2929	Rondela	Spring Washer	4	ADET
12	71A00-80327-AA	5310-99-122-6476	Pul	Plain Washer	4	ADET
13	12B07-80207-AA	5310-27-006-2770	Somun	Nut (NH110041)	4	ADET
14	11000-80038-AA	5306-27-006-2709	Civata	Screw (SH110301)	4	ADET
15	11000-80327-AA	5310-99-122-6476	Pul	Plain Washer	8	ADET
16	71A00-80303-AA	5310-99-135-4103	Rondela	Spring Washer	4	ADET
17	12B07-80207-AA	5310-27-006-2770	Somun	Nut (NH110041)	4	ADET

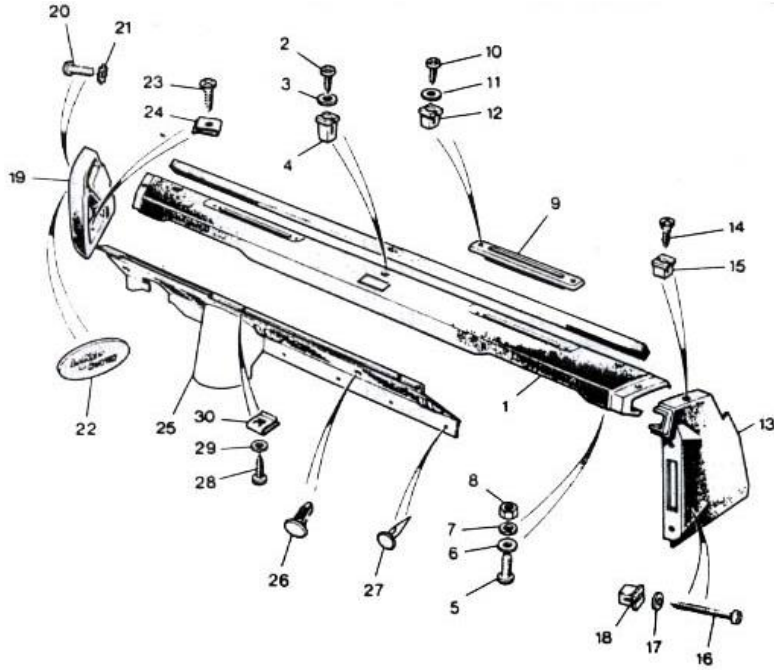


LAND ROVER 110 YEDEK PARÇALARI

13-1

İÇ TRİM - INTERIOR TRIM

ÖN ÜST PANEL  
FACIA-UPPER CRASH PAD



RES. NO	PARÇA NO	NATO STOK NO	MALZEMENİN ADI	MALZEMENİN YABANCI ADI	KOMP. MİK.	DAĞ. BİRİMİ
1	MWC9324PMA		Üst Panel-Küllük Boşluklu	Uppr.Crash Pad-With Ashtray	1	ADET
	MXC6084PMA	2540-99-257-8103	Üst Panel-Küllük Boşluklu	Uppr.Crash Pad-With Ashtray	1	ADET
2	71A00-81363-AA	5306-27-006-2754	Civata	Screw(AB614064)	8	ADET
3	71A00-80319-AA	5310-27-006-2947	Pul	Plain Washer	3	ADET
4	CZK3164	5310-99-776-9666	Dübel Somun	Lokut Nut	3	ADET
5	SE104124	5305-99-760-8116	Civata	Screw	2	ADET
6	71A00-80299-AA	5310-27-006-2939	Pul	Plain Washer (WA104004)	2	ADET
7	WL104004	5310-66-128-5818	Yaylı Rondela	Spring Washer	2	ADET
8	NH104044	5310-99-533-8786	Somun	Nut	2	ADET
	71A00-80310-AA	5310-27-006-2944	Pul Üst Paneli Ön Panele	Plain Washer	1	ADET
	WM702001L	5310-99-941-6653	Rondela	Spring Washer	2	ADET
	71A00-80200-AA	5310-27-006-2771	Somun	Nut (NH105041)	2	ADET
	71A00-81344-AA		Civata	Screw(AB608051)	2	ADET
	71A00-80452-AA	5310-99-788-7559	Yaylı Somun	Spring Nut (AK606031)	1	ADET
	RTC3745	5310-99-137-6356	Dübel Somun	Lokut Nut	2	ADET
	71A00-81324-AA	5305-27-006-2728	Civata	Screw (SE105121)	2	ADET
9	MTC6040	2540-99-562-3553	Buğu Kanalı	Demister Outlet	2	ADET
	BTR912	2540-99-553-1820	Buğu Kanalı	Demister Outlet	2	ADET
10	71A00-81338-AA	5306-27-006-2744	Sac Vidası	Drive Screw	4	ADET
11	71A00-80315-AA	5310-99-122-3032	Pul	Plain Washer	4	ADET
12	RTC3745	5310-99-137-6356	Dübel Somun	Lokut Nut	4	ADET
13	MTC4571	2590-99-788-8183	Köşe Kapama Trimi	End Closing Trim	1	ADET
	MWC9339PUA	2590-99-601-7649	Köşe Kapama Trimi	End Closing Trim	1	ADET
14	71A00-81323-AA	5305-99-788-7270	Sac Vidası	Drive Screw	1	ADET
15	RTC3745	5310-99-137-6356	Dübel Somun	Lokut Nut	1	ADET
16	71A00-81351-AA	5306-27-006-2751	Sac Vidası	Drive Screw	1	ADET
17	AFU1248	5310-99-788-7397	Pul	Plain Washer	1	ADET
18	RTC3744	5310-99-137-6550	Dübel Somun	Lokut Nut	1	ADET

NOT1:Şasi Numarası HA455595'e kadar.  
NOT2:Şasi Numarası HA455596'dan itibaren.  
NOT3:Şasi Numarası FA453191'e kadar

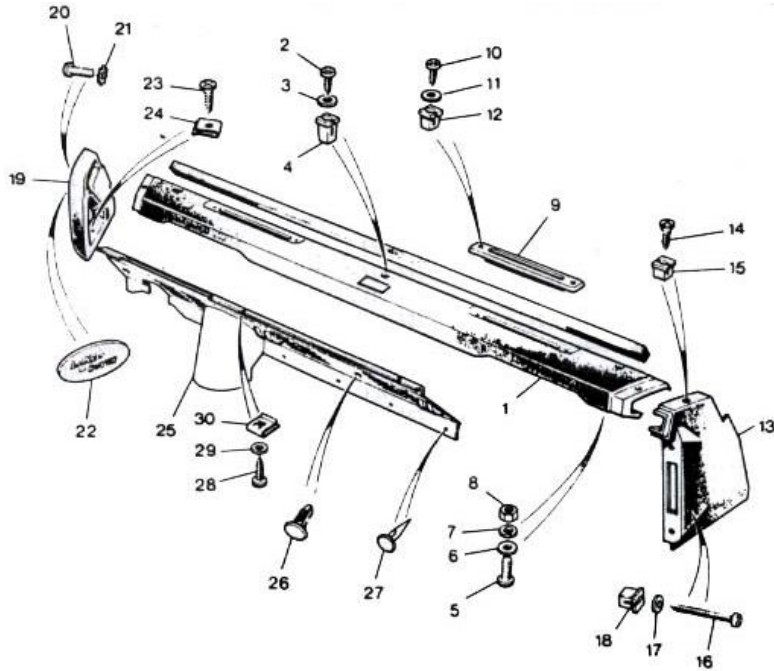
NOT3:Şasi Numarası FA453191'e kadar.  
NOT4:Şasi Numarası FA453192'den itibaren.  
NOT5:Şasi Numarası EA343051'e kadar.  
NOT6:Şasi Numarası EA343052'den itibaren.

## LAND ROVER 110 YEDEK PARÇALARI

13-2

## İÇ TRİM - INTERIOR TRIM

### ÖN ÜST PANEL



RES. NO	PARÇA NO	NATO STOK NO	MALZEMENİN ADI	MALZEMENİN YABANCI ADI	KOMP. Mik.	DAĞ. BİRİMİ
19	MTC6142	2540-99-788-8242	Tutamak Sağ	Grab Handle RH	1	ADET
20	71A00-81324-AA	5305-27-006-2728	Civata	Screw (SE105121)	1	ADET
21	WF105001L	5310-99-495-6410	Yıldız Rondela	Starlock Washer	1	ADET
22	MTC5851	2540-99-788-8240	Arma	Badge	1	ADET
23	71A00-81322-AA	5306-27-006-2757	Sac Vidası	Screw (AC606104)	1	ADET
24	71A00-80452-AA	5310-99-788-7559	Yaylı Somun	Spring Nut (AK606031)	1	ADET
25	MTC4618	2590-99-788-8186	Trim Paneli	Trim Panel	1	ADET
26	AFU1897	5325-99-788-7433	Plastik Vida	Drive Fastener	2	ADET
27	AFU2813	5325-99-788-7551	Plastik Vida	Drive Fastener	6	ADET
28	71A00-81315-AA	5305-99-788-7256	Vida	Screw(AB606044)	2	ADET
29	71A00-80299-AA	5310-27-006-2939	Pul	Plain Washer (WA104004)	2	ADET
30	71A00-80454-AA	5310-99-777-5291	Yaylı Somun	Spring-Nut (AJ606041)	2	ADET
	71A00-81341-AA	5306-27-006-2746	Vida	Screw (AB608041)	6	ADET
	71A00-80315-AA	5310-99-122-3032	Pul	Plain Washer	6	ADET

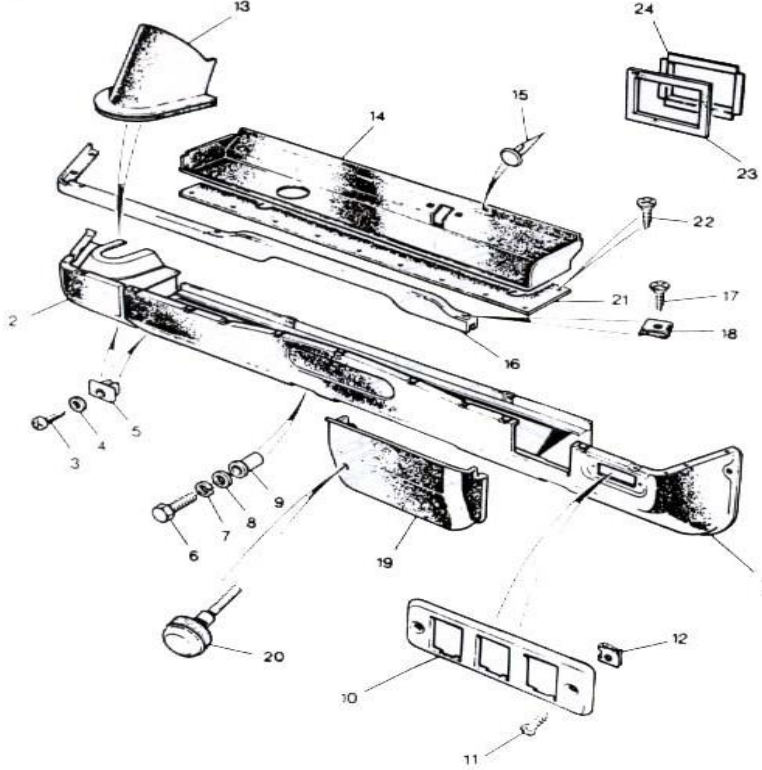
NOT:Askeri araçlarda mevcut değildir.  
NOT1:Alternatif parçalar.

LAND ROVER 110 YEDEK PARÇALARI

13-3

İÇ TRİM - INTERIOR TRIM

ÖN TABLA VE KALORİFER KANALI  
FACIA-PARCEL TRAY AND HEATER DUCT



RES. NO	PARÇA NO	NATO STOK NO	MALZEMENİN ADI	MALZEMENİN YABANCI ADI	KOMP. MİK.	DAG. BİRİMİ
1	MTC2827	2540-99-788-8162	Kalorifer Kanalı Komple	Heater Duct Padded	1	ADET
2	MTC6080	2540-99-788-8241	Silecek Motor Kapağı	Wiper Motor Cover	1	ADET
3	71A00-81345-AA	5305-99-008-0837	Sac Vidası	Drive Screw (AB608054)	10	ADET
4	AFU1248-LD	5310-99-788-7397	Pul	Plain Washer	10	ADET
5	AFU2692	5310-99-788-7550	Dübel Somun	Lokut Nut	10	ADET
6	11000-80002-AA	5306-27-006-2697	Civata	Screw (SH105201)	2	ADET
7	11000-80300-AA	5310-27-006-2926	Rondela	Spring Washer	2	ADET
8	71A00-80310-AA	5310-27-006-2944	Pul	Plain Washer	2	ADET
9	NN105021L	5310-99-629-3331	Çakma Somun	Nutsert	2	ADET
14	MRC7283	2540-99-788-8119	Ön Tabla	Parcel Tray-LHD	1	ADET
15	AFU2813	5325-99-788-7551	Plastik Vida	Drive Fastener	5	ADET
16	MTC6167	2540-99-500-6056	Döşeme	Finisher	1	ADET
17	71A00-80321-AA	5310-27-006-2941	Sac Vidası	Drive Screw (AC606064)	3	ADET
18	71A00-80452-AA	5310-99-788-7559	Yaylı Somun	Spring Nut (AK606031)	3	ADET
19	MUC7905	5920-99-780-2233	Sigorta Kutusu Kapağı	Fuse Box Cover	1	ADET
	BTR2307	5920-99-405-5110	Sigorta Kutusu Kapağı	Fuse Box Cover	1	ADET
	MTC5227-LD		Diferansiyel Uyarı Etiketi	Label Warning-Diff Lock	1	ADET
	BTR2308-LD	2590-99-605-8262	Diferansiyel İkaz Etiketi	Label Warning-Diff Lock	1	ADET
20	MTC9968	5305-99-780-2231	Civata	Screw	2	ADET
21	MRC8585	2540-99-788-8126	Kapatma Pnl.ve İzol. Last. Kmpl.	Closing Panel and Ins.Pad Assy	1	ADET
22	11000-81346-AA	5306-27-006-2740	Sac Vidası	Drive Screw (AB606041)	22	ADET
23	MTC6871-LD	5330-99-788-8258	Conta,Kalorifer Kanalı	Seal-Heater Duct	1	ADET
24	MUC4801-L	2590-99-254-7460	Conta Sacı Kalorifer Kanalı	Sealing Bezel,Heater Duct	1	ADET

NOT1:Şasi No HA905871'e kadar.  
NOT2:Şasi No HA905872'den itibaren.

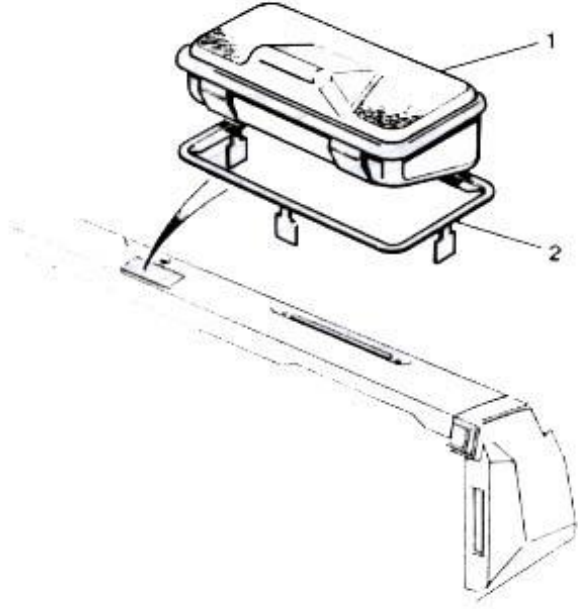
LAND ROVER 110 YEDEK PARÇALARI

13-4

İÇ TRİM - INTERIOR TRIM

KÜL TABLASI

RES. NO	PARÇA NO	NATO STOK NO	MALZEMENİN ADI	MALZEMENİN YABANCI ADI	KOMP. MİK.	DAG. BİRİMİ
1	DZA5097L	2540-99-846-0233	Kül Tablası	Ash Tray	1	ADET
2	MUC1582	2540-99-788-8412	Tutucu	Retainer	1	ADET



LAND ROVER 110 YEDEK PARÇALARI

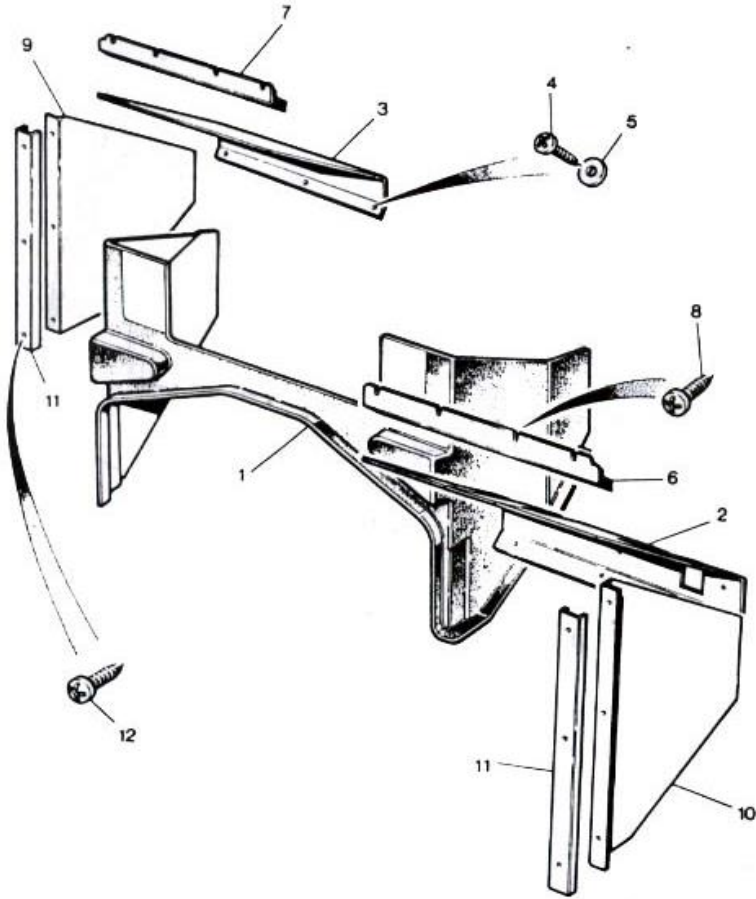
13-5

İÇ TRİM - INTERIOR TRIM

TRİM-GÖĞÜS TRİMİ

RES. NO	PARÇA NO	NATO STOK NO	MALZEMENİN ADI	MALZEMENİN YABANCI ADI	KOMP. MİK.	DAG. BİRİMİ
1	MTC4861-LD	5970-99-788-8190	İzolatör Panel Merkezi	Insulator-Dash Centre	1	ADET
2	MUC9168		Ön Alt Döşeme-Sağ	Toe Box Trim RH	1	ADET
	MXC6540		Ön Alt Döşeme-Sağ	Toe Box Trim RH	1	ADET
	BTR5234		Ön Alt Döşeme-Sağ	Toe Box Trim RH	1	ADET





3	MTC4865	2540-99-372-8975	Ön Alt Döşeme-Sol	Toe Box Trim LH	1	ADET
	MXC6541		Ön Alt Döşeme-Sol	Toe Box Trim LH	1	ADET
	BTR5235		Ön Alt Döşeme-Sol	Toe Box Trim LH	1	ADET
4	71A00-81341-AA	5306-27-006-2746	Sac Vidası	Drive Screw	6	ADET
5	WC104001L	5310-99-759-2084	Pul	Plain Washer	6	ADET
6	MWC6254-LD		Tutucu-Sağ	Retainer RH	1	ADET
	MXC6550-L		Tutucu-Sağ	Retainer RH	1	ADET
7	396416	2510-99-825-4936	Tutucu Sol	Retainer LH	1	ADET
	MWC6253-LD		Tutucu Sol	Retainer LH	1	ADET
	MXC6551-L		Tutucu	Retainer Trim Panel	1	ADET
8	11000-81338-AA	5306-27-006-2739	Sac Vidası	Drive Screw	6	ADET
9	MRC5394-LD	2540-99-788-8107	Kapak-Göğüs Tarafi-Sol	Cover-Dash Side-LH	1	ADET
	BTR981-LD	2540-66-128-4729	Kapak-Göğüs Tarafi-Sol	Cover-Dash Side-LH	1	ADET
10	MTC6820-LD	2540-99-788-8256	Kapak Göğüs Tarafi-Sağ	Cover-Dash Side-RH	1	ADET
	BTR980-LD	2540-66-128-4730	Kapak Göğüs Tarafi-Sağ	Cover-Dash Side-RH	1	ADET
11	MUC9347-LD	2540-66-128-5025	Tutucu	Retainer	1	ADET
	BTR978-L	2540-66-128-6110	Tutucu-Sag	Retainer RH	1	ADET
	BTR2372-LD	4730-27-006-2839	Tutucu-Sag	Retainer RH	1	ADET
	BTR979-L	2540-66-128-6109	Tutucu-Sol	Retainer LH	1	ADET
	BTR2371-LD		Tutucu-Sol	Retainer LH	1	ADET
12	11000-81346-AA	5306-27-006-2739	Sac Vidası	Drive Screw	6	ADET

NOT1:Şasi No FA440772'ye kadar.  
 NOT2:Şasi No FA440773'ten KA922252'ye kadar.  
 NOT3:Şasi No KA922253'ten itibaren.  
 NOT4:Şasi No FA440773'ten itibaren.  
 NOT5:Şasi No 303449'a kadar.  
 NOT6:Şasi No 303450'den FA440772'ye kadar.  
 NOT7:Şasi No FA440440773'ten itibaren.  
 NOT8:Şasi No HA455595'e kadar.  
 NOT9:Şasi No HA455596'dan itibaren.  
 NOT10:Şasi No HA455595'ten HA903278'e kadar.  
 NOT11:Şasi No HA903279'tan itibaren.

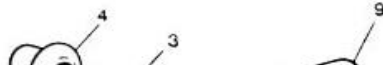
## LAND ROVER 110 YEDEK PARÇALARI

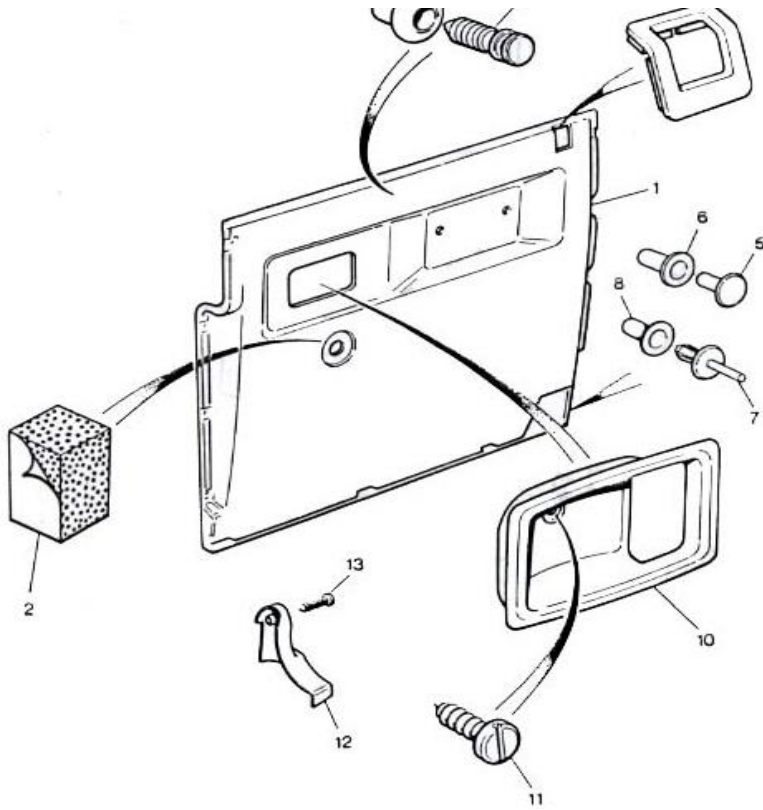
13-6

## İÇ TRİM - INTERIOR TRIM

### TRİM-ÖN KAPI

RES. NO	PARÇA NO	NATO STOK NO	MALZEMENİN ADI	MALZEMENİN YABANCI ADI	KOMP. MİK.	DAG. BİRİMİ
1	MWC2780	2510-99-957-1955	Ön Kapı Trimi-Sağ/Gri	Front Door Trim RH-Grey	1	ADET
	MWC2781	2510-99-721-5604	Ön Kapı Trimi-Sol/Gri	Front Door Trim LH-Grey	1	ADET
	MXC1858LCS	2510-99-535-6927	Ön Kapı Trimi-Sağ/Gri	Front Door Trim RH-Grey	1	ADET
	MXC1859LCS	2510-99-112-1941	Ön Kapı Trimi-Sol/Gri	Front Door Trim LH-Grey	1	ADET
2	MWC3137	5330-66-128-5264	Sünger	Foam Spacer	4	ADET
3	MWC1474	5307-66-128-5187	Sabitleyici	Fastener	24	ADET





	MXC1800	5325-99-409-4727	Sabitleyici	Fastener	24	ADET
4	MWC3136	5310-66-128-5270	Dübel	Snap Sac	24	ADET
5	79118PH	2540-99-902-2331	Döşeme Saplaması-Siyah	Trim Stud-Black	4	ADET
6	13H2475L	2540-99-234-4420	Dübel	Stud Anchor	4	ADET
7	MWC9918LCS	5325-99-147-0850	Dübel-Gri	Lokut-Grey	4	ADET
8	MWC9917	5325-99-810-3015	Dübel	Snap Sac	4	ADET
9	JRC1871		Kilit Butonu Çerçevesi	Escutcheon-Sill Button	2	ADET
	MXC4738PMA	5340-99-346-9565	Kilit Butonu Çerçevesi	Escutcheon-Sill Button	2	ADET
10	DBP6532PMA	5340-99-573-5868	İç Tutamak Çerçevesi-Sağ	Escutcheon-RH-Internal Handle	1	ADET
10	DBP6533PMA	5340-99-179-9736	İç Tutamak Çerçevesi-Sol	Escutcheon-LH-Internal Handle	1	ADET
11	71A00-81343-AA	5305-66-128-5094	Sac Vidası	Drive Screw (DA608044)	2	ADET
12	MUC3036	2590-99-254-7445	Kapak-Sağ	Checkstrap Cover RH	1	ADET
	MUC3037	2590-99-254-7446	Kapak-Sol	Checkstrap Cover LH	1	ADET
13	71A00-81338-AA	5305-99-722-6780	Sac Vidası	Drive Screw	2	ADET

NOT1:1989 model yılından önce.  
 NOT2:1988 model yılından sonra.  
 NOT3:Şasi No 344754'e kadar.  
 NOT4:Şasi No 344754'ten sonra.  
 NOT5:Şasi No FA358791'e kadar.  
 NOT6:Şasi No FA358792'den itibaren.

## LAND ROVER 110 YEDEK PARÇALARI

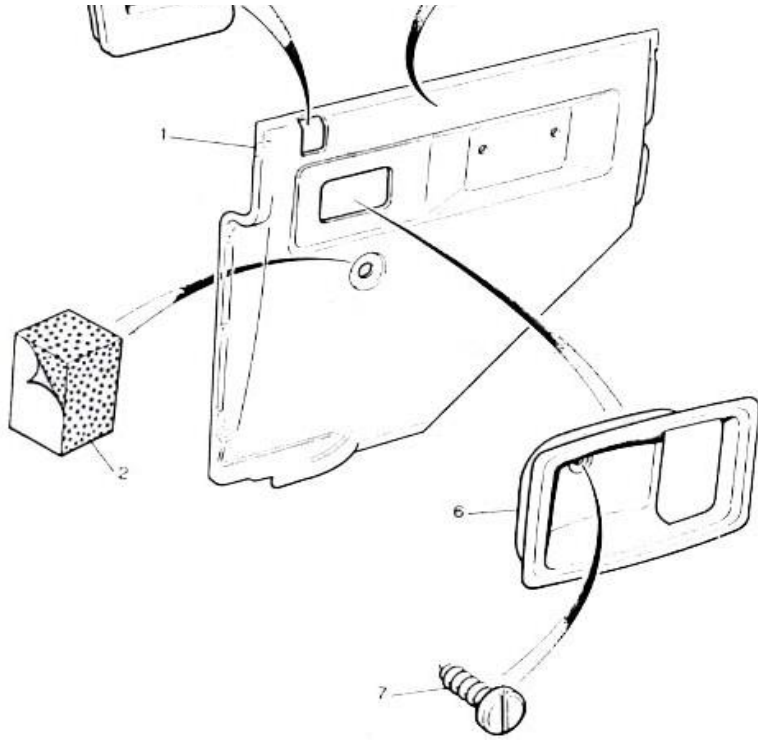
13-7

## İÇ TRİM - INTERIOR TRIM

### TRİM-ARKA KAPI

RES. NO	PARÇA NO	NATO STOK NO	MALZEMENİN ADI	MALZEMENİN YABANCI ADI	KOMP. MİK.	DAG. BİRİMİ
1	MWC2782	2510-99-227-6107	Arka Yan Kapı Döşe. Sağ-Siyah	Rear Side Door Trim RH-Black	1	ADET
	MWC2783	2510-99-547-8675	Arka Yan Kapı Döşe. Sol-Siyah	Rear Side Door Trim LH-Black	1	ADET
	MXC1860LCS		Arka Yan Kapı Döşe. Sağ-Gri	Rear Side Door Trim RH-Grey	1	ADET
	MXC1861LCS		Arka Yan Kapı Döşe. Sol-Gri	Rear Side Door Trim LH-Grey	1	ADET
2	MWC3137	5330-66-128-5264	Sünger	Foam Spacer	4	ADET
3	MWC1474	5307-66-128-5187	Sabitleyici	Fastener	24	ADET
	MXC1800	5325-99-409-4727	Sabitleyici	Fastener	24	ADET
4	MWC3136	5340-99-915-3871	Dübel	Snap Sac	24	ADET
5	MXC4738PMA	5340-99-346-9565	Kilit Butonu Çerçevesi	Escutcheon-Sill Button	2	ADET





6	DBP6532PMA	5340-99-573-5868	İç Tutamak Çerçevesi-Sağ	Escutcheon-RH-Internal Handle	1	ADET
	DBP6533PMA	5340-99-179-9736	İç Tutamak Çerçevesi-Sol	Escutcheon-LH-Internal Handle	1	ADET
7	71A00-81343-AA	5305-66-128-5094	Sac Vidası	Drive Screw (DA608044)	2	ADET

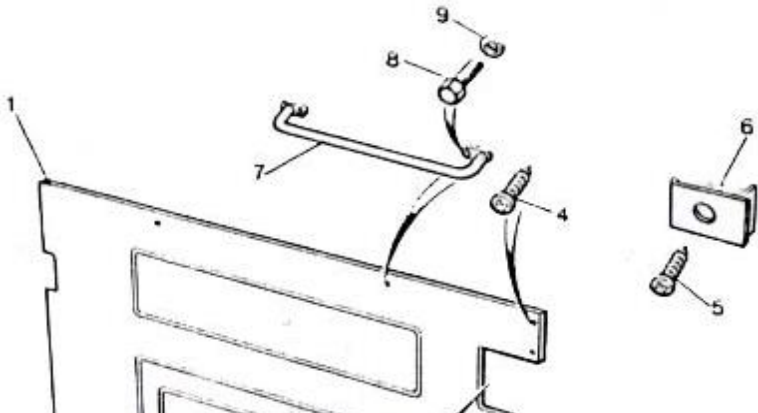
NOT1:1988 model yılı -Şasi No EA314292- araçlara kadar.  
 NOT2:1988 model yılı -Şasi No EA314293- araçlardan itibaren.  
 NOT3:Şasi No 344755'e kadar.  
 NOT4:Şasi No 344756'dan itibaren.

## LAND ROVER 110 YEDEK PARÇALARI

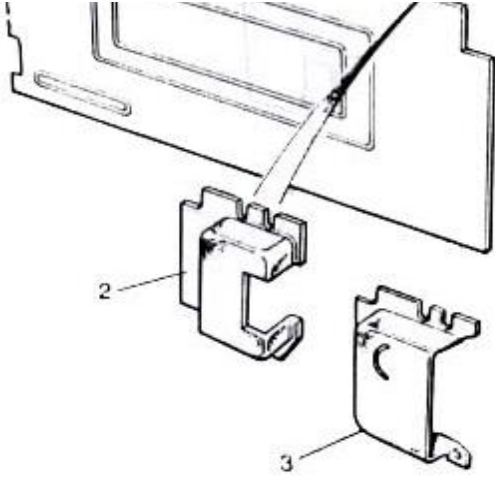
13-8

## İÇ TRİM - INTERIOR TRIM

### TRİM-ARKA KAPI



RES. NO	PARÇA NO	NATO STOK NO	MALZEMENİN ADI	MALZEMENİN YABANCI ADI	KOMP. Mik.	DAG. Birimi
1	MWC1744	2510-99-702-1799	ARKA KAPI DÖŞEMESİ-SİYAH	REAR END DOOR TRIM-BLACK	1	ADET
	MWC1744LCS	2510-99-702-1799	ARKA KAPI DÖŞEMESİ-GRİ	REAR END DOOR TRIM-GREY	1	ADET
	MXC1992LCS		ARKA KAPI DÖŞEMESİ-GRİ	REAR END DOOR TRIM-GREY	1	ADET
	73037	5340-66-128-5380	Klip	Clip	8	ADET
2	MTC1710	2540-99-788-8142	Kilit Kapağı-Siyah	Lock Cover-Black	1	ADET
3	395191LCS		Kilit Kapağı-Gri	Lock Cover-Grey	1	ADET
4	AFU2636	5305-99-788-7548	Sac Vidası	Drive Screw	1	ADET
5	71A00-81315-AA	5305-99-788-7256	Sac Vidası	Drive Screw (AA606044)	2	ADET
6	71A00-80451-AA	5310-99-788-7558	Yaylı Somun	Spring Nut (AK606011)	2	ADET
7	MUC1402-LD	5340-99-788-8397	Tutamak	Grab Handle	1	ADET
8	71A00-80009-AA	5305-66-128-5095	Civata	Screw (SH106204)	2	ADET
9	11000-80301-AA	5310-27-006-2927	Rondela	Spring Washer	2	



NOT1:Şasi No EA314268'e kadar.  
 NOT2:Şasi No EA314268'den FA358791'e kadar.  
 NOT3:Şasi No FA358792'den sonra.  
 NOT4:Şasi No EA314268'den sonra.

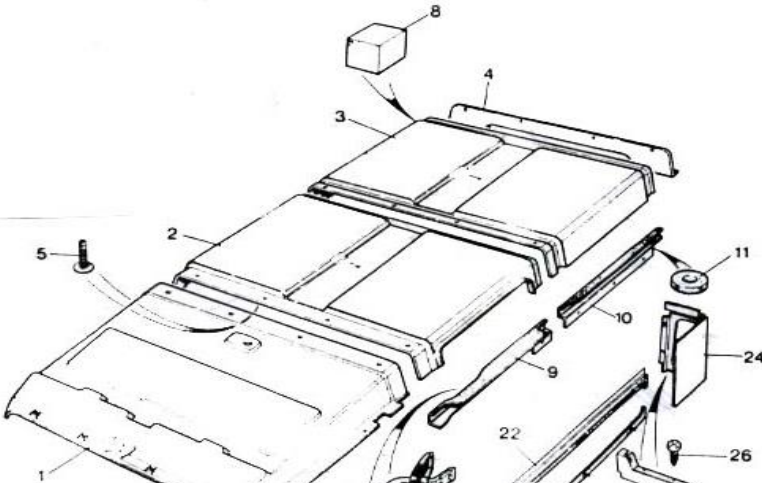
## LAND ROVER 110 YEDEK PARÇALARI

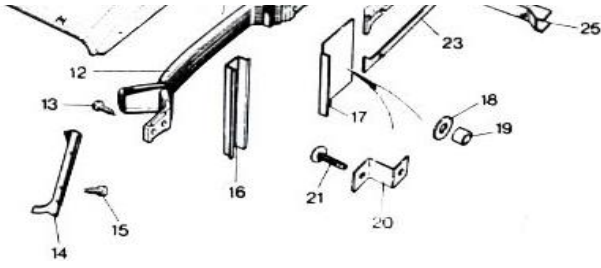
13-9

## İÇ TRİM - INTERIOR TRIM

TRİM-STATION WAGON-ŞASI NO EA314267'YE KADAR

RES. NO	PARÇA NO	NATO STOK NO	MALZEMENİN ADI	MALZEMENİN YABANCI ADI	KOMP. MİK.	DAG. BİRİMİ
1	MUC6484	2540-99-301-0035	Tavan-Ön	Headlining -Ripple Front	1	ADET
2	MUC6485	2540-99-370-9850	Tavan-Orta	Headlining -Inter.	1	ADET
3	MUC6486	2540-99-004-1064	Tavan-Arka	Headlining -Rear	1	ADET
4	MUC6487	2540-99-225-5405	Tavan-Arka-Uç	Lining-Rear &	1	ADET
5	AFU1900	2590-99-777-5298	Dübel	Drive Fastener	20	ADET
8	MUC4199		Sünger	Foam Spacer	2	ADET
9	MUC6490		Ray Döşeme İç Sağ	Cantrail Finisher Interm RH	1	ADET
	MUC6491		Ray Döşeme İç Sol	Cantrail Finisher Interm LH	1	ADET
10	MUC6488		Ray Döşeme Arka Sağ	Cantrail Finisher Rear RH	1	ADET
	MUC6489		Ray Döşeme Arka Sol	Cantrail Finisher Rear LH	1	ADET
11	MUC1508-L		Keçe Ara Parçası	Felt Spacer	10	ADET
12	12A14-55022-BA		Tutamak	Grab Handle	4	ADET
13	71A00-81314-AA		Sac Vidası	Drive Screw	16	ADET
14	MTC5212	2510-99-788-8230	'A' Bölgesi Döşemesi Sağ	'A' Post Trim RH	1	ADET
	MWC2314	2540-99-595-6506	'A' Bölgesi Döşemesi Sol	'A' Post Trim LH	1	ADET
15	71A00-81339-AA	5306-27-006-2745	Sac Vidası	Drive Screw	4	ADET
16	MUC2296		BC' Bölgesi Üst Döşemesi	BC' Post Upper Finisher	2	ADET





17	MWC1628		D' Bölgesi Döşemesi Sağ	D' Post Panel Trim RH	1	ADET
	MWC1629		D' Bölgesi Döşemesi Sol	D' Post Panel Trim LH	1	ADET
22	MUC1474		Yan Döşemesi Üst	Sidelight Finisher-Upper	2	ADET
23	MUC3242		Yan Döşemesi Alt	Sidelight Finisher-Lower	2	ADET
24	MUC1554		Arka Döşeme-Sağ	Rear Quarter Finisher RH	1	ADET
	MUC1555	2590-99-979-0594	Arka Döşeme-Sol	Rear Quarter Finisher LH	1	ADET

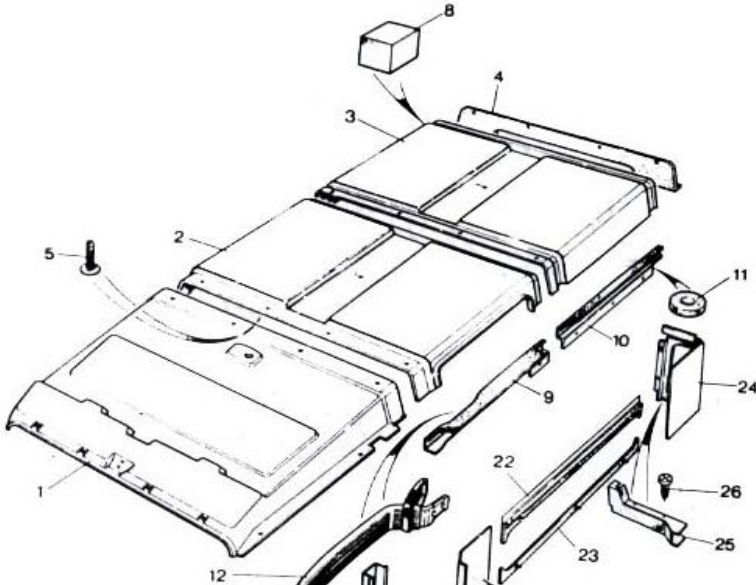
### LAND ROVER 110 YEDEK PARÇALARI

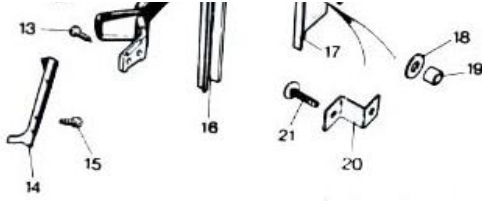
13-10

### İÇ TRİM - INTERIOR TRIM

TRİM-STATION WAGON-ŞAŞİ NO EA314267'YE  
KADAR  
TRİM-STATION WAGON-UPTO VIN EA314267

RES. NO	PARÇA NO	NATO STOK NO	MALZEMENİN ADI	MALZEMENİN YABANCI ADI	KOMP. Mik.	DAG. BİRİMİ
1	MWC9483LUH		Tavan-Ön/Gri	Headlining -Ripple Grey-Front	1	ADET
	MXC5855		Tavan-Ön/Gri	Headlining -Ripple Grey-Front	1	ADET
2	MWC9484LUH		Tavan-Orta/Gri	Headlining -Ripple Grey-Inter.	1	ADET
3	MWC9485LUH		Tavan-Arka/Gri	Headlining -Ripple Grey-Rear	1	ADET
4	MWC9486LUH		Tavan-Arka-Uç/Gri	Headlining-Rear & Ripple	1	ADET
	MXC1645LUH		Tavan-Arka-Uç/Gri	Headlining-Rear & Ripple	2	ADET
	BTR586LUH		Tavan-Arka-Uç/Gri	Headlining-Rear & Ripple	3	ADET
5	MWC9832LUH	2540-99-573-7236	Dübel/Gri	Drive Fastener-Ripple Grey	30	ADET
8	MWC3137	5330-66-128-5264	Sünger	Foam Spacer	2	ADET
9	MWC8914LNP		Ray Döşeme Sağ/Gri	Cantrail Finisher RH-Mid Grey	1	ADET
	MWC8915LNP		Ray Döşeme Sol/Gri	Cantrail Finisher LH-Mid Grey	1	ADET
10	12A14-55022-BA		Tutamak	Grab Handle	4	ADET
11	71A00-81314-AA		Sac Vidası	Drive Screw	16	ADET





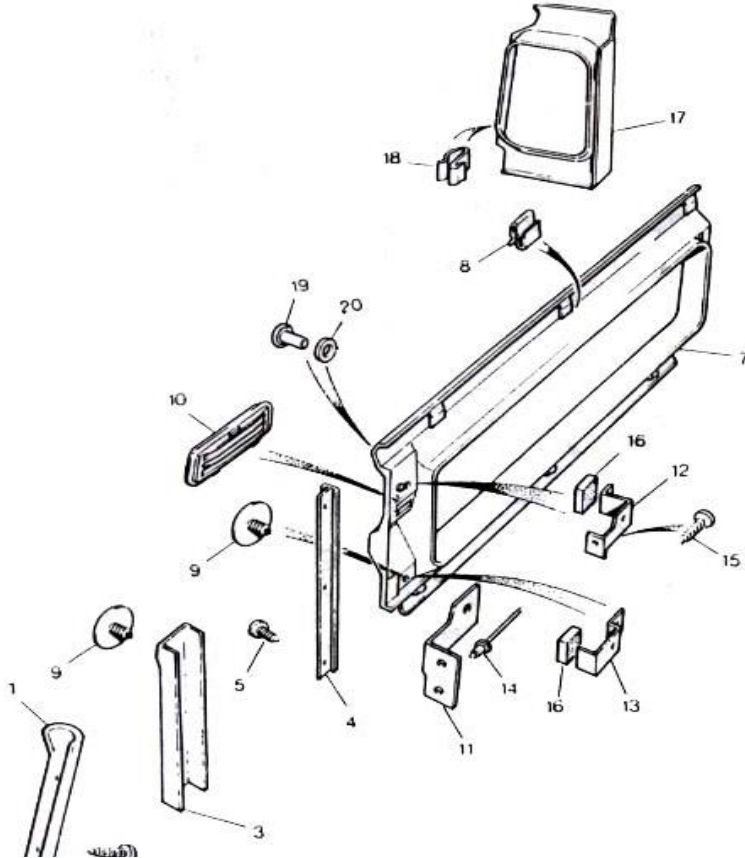
NOT1:1989 Model yılına kadar.  
 NOT2:1989 Model yılından sonra  
 NOT3:Şasi No 335408'e kadar.  
 NOT4:Şasi No 335049'dan 441847'ye kadar.  
 NOT5:Şasi No 441848'den itibaren.

## LAND ROVER 110 YEDEK PARÇALARI

13-11

## İÇ TRİM - INTERIOR TRIM

TRİM-STATION WAGON GÖVDE-ŞASI NO  
 EA314268'DEN SONRA  
 TRİM-STATION WAGON BODYSIDE-FROM VIN  
 EA314268



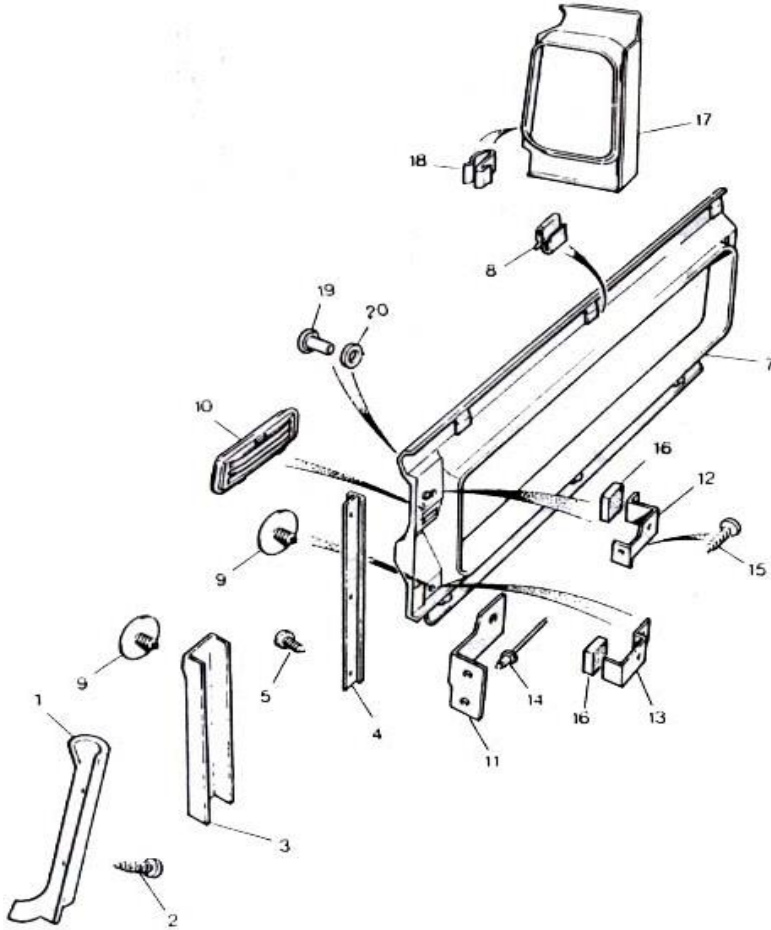
RES. NO	PARÇA NO	NATO STOK NO	MALZEMENİN ADI	MALZEMENİN YABANCI ADI	KOMP. MİK.	DAG. BİRİMİ
1	MTC5212	2510-99-788-8230	Ön Cam Çerç. Kaplaması-Sağ	'A' Post Finisher RH	1	ADET
	MWC2314	2540-99-595-6506	Ön Cam Çerç. Kaplaması-Sol	'A' Post Finisher LH	1	ADET
2	71A00-81339-AA	5306-27-006-2745	Sac Vidası	Screw Drive	4	ADET
3	MWC8901LNP		Yan Kapı Direk Saclaması-Gri	'BC' Post Finisher-Mid Grey	2	ADET
4	MWC9823LNP		Ön Köşe Kaplaması-Gri	Front Pillar Finisher-Grey	2	ADET
	MXC3319LNP		Ön Köşe Kaplaması-Gri	Front Pillar Finisher-Grey	2	ADET
5	77869	5305-99-120-1617	Sac Vidası	Drive Screw	6	ADET
7	MWC8906LNP		Gövde Döşeme Paneli-Sağ-Gri	Bodyside Trim Panel-RH-Grey	1	ADET
	MWC8907LNP		Gövde Döşeme Paneli-Sol-Gri	Bodyside Trim Panel-LH-Grey	1	ADET
	MWC5836LNP		Gövde Döşeme Paneli-Sağ-Gri	Bodyside Trim Panel-RH-Grey	1	ADET
	MWC5837LNP		Gövde Döşeme Paneli-Sağ-Gri	Bodyside Trim Panel-RH-Grey	1	ADET
	MXC6137LNP		Gövde Döşeme Paneli-Sol-Gri	Bodyside Trim Panel-LH-Grey	1	ADET
	MXC6138LNP		Gövde Döşeme Paneli-Sağ-Gri	Bodyside Trim Panel-RH-Grey	1	ADET
8	MWC6203		Klip	Edge Clip	6	ADET
	SE106401	5305-99-128-0932	Civata	Screw	1	ADET
	WC600045L	5310-99-495-3403	Pul	Plain Washer	2	ADET
	MTC3203-L	5310-99-788-8167	Somunlu Sac	Nut Plate	1	ADET
9	MWC5763LNP		Döşeme Tutturucu-Gri	Trim Fastener-Mid Grey	4	ADET



NOT1:1989 model yılı -Şasi No FA- araçlara kadardır.  
NOT2:1989 model yılından1990 model yılı araçlara kadardır.  
NOT3:1990 model yılı araçlardan itibaren.  
NOT4:Arka yan koltuklara emniyet kemeri bağlanmadığı zaman ve Şasi No 314292'den sonra.

## LAND ROVER 110 YEDEK PARÇALARI

TRİM-STATION WAGON GÖVDE-ŞASI NO  
EA314268'DEN SONRA  
TRİM-STATION WAGON BODYSIDE-FROM VIN



13-12

## İÇ TRİM - INTERIOR TRIM

RES. NO	PARÇA NO	NATO STOK NO	MALZEMENİN ADI	MALZEMENİN YABANCI ADI	KOMP. Mik.	DAG. BİRİMİ
10	MWC5764		Emniyet Kemeri Kaydı	Seat Belt Guide	2	ADET
11	MWC5798		Takviye-Üst Sağ	Trim Retainer-Upper RH	1	ADET
	MWC5799		Takviye-Üst Sol	Trim Retainer-Upper LH	1	ADET
12	MXC3278		Takviye-Üst Sağ	Trim Retainer-Upper RH	1	ADET
	MXC3279		Takviye-Üst Sol	Trim Retainer-Upper LH	1	ADET
13	MXC3277		Takviye-Alt	Trim Retainer-Lower	2	ADET
14	78248	5320-99-970-3518	Perçin	Rivet	4	ADET
15	71A00-81343-AA	5305-99-977-3255	Sac Vidası	Drive Screw (AB608044)	4	ADET
16	MUC6400-LD	9330-99-254-7461	Lastik Takoz	Pad	4	ADET
17	MWC8910LNP	2590-99-151-2208	Arka Döşeme Paneli-Sağ/Gri	Rear end Trim Panel RH-Mid Gre	1	ADET
	MWC8911LNP	2590-99-911-1393	Arka Döşeme Paneli-Sol/Gri	Rear end Trim Panel LH-Mid Gre	1	ADET
18	MWC6204	5340-99-701-8066	Klip	Edge Clip	4	ADET
19	MXC1130PMA		Tapa-Gövde Döşemesi	Plug-Bodyside Trim	2	ADET
20	MWC9482		Takviye Pulu	Retaining Washer	4	ADET

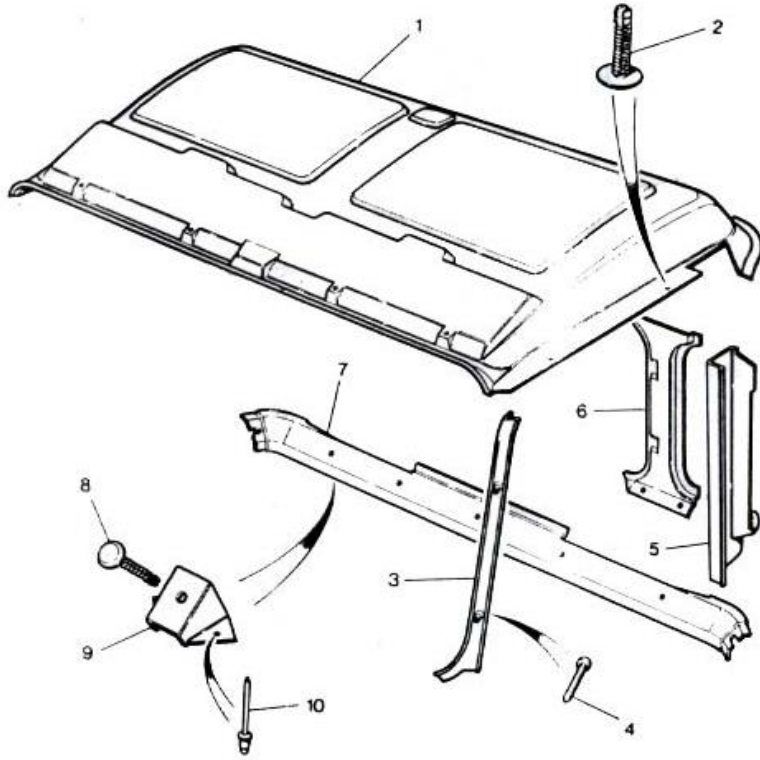
NOT1:1989 model yılı -Şasi No FA- araçlara kadardır.  
NOT2:1990 model yılı araçlardan itibaren.  
NOT4:Arka yan koltuklara emniyet kemeri bağlanmadığı zaman ve Şasi No 314292'den sonra.

LAND ROVER 110 YEDEK PARÇALARI

13-12

İÇ TRİM - INTERIOR TRIM

## TRİM-KABİN

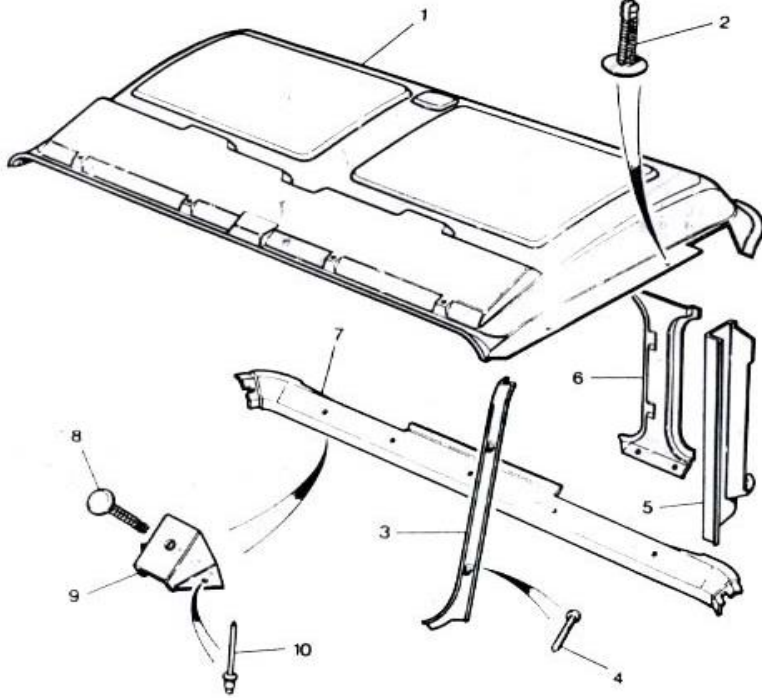


RES. NO	PARÇA NO	NATO STOK NO	MALZEMENİN ADI	MALZEMENİN YABANCI ADI	KOMP. MİK.	DAĞ. BİRİMİ
1	MUC6496		Tavan Döşemesi	Headlining	1	ADET
2	AFU1900	2590-99-777-5298	Plastik Tutturucu	Drive Fastener	4	ADET
3	MTC5212	2510-99-788-8230	'A' Bölgesi Döşemesi Sağ	'A' Post Trim RH	1	ADET
	MWC2314	2540-99-595-6506	'A' Bölgesi Döşemesi Sol	'A' Post Trim LH	1	ADET
4	71A00-81339-AA	5306-27-006-2745	Sac Vidası	Drive Screw	4	ADET
5	MUC6498		'B' Bölgesi Döşemesi Sağ	'B' Post Trim RH	1	ADET
	MUC6499		'B' Bölgesi Döşemesi Sol	'B' Post Trim LH	1	ADET
6	MUC6652		Arka Köşe Döşemesi-Sağ	Rear Pillar Trim RH	1	ADET
	MUC6653		Arka Köşe Döşemesi-Sol	Rear Pillar Trim LH	1	ADET
7	MUC6497		Arka Alt Döşeme	Rear Lower-Trim	1	ADET
8	AFU1900	2590-99-777-5298	Plastik Tutturucu	Drive Fastener	7	ADET
9	MTC5486	2540-99-788-8236	Bağlama Braketi	Mounting Bracket	7	ADET
10	RA608236L		Perçin	Rivet	14	ADET

NOT:Şasi No 314368'e kadar.



## TRİM-KABİN



RES. NO	PARÇA NO	NATO STOK NO	MALZEMENİN ADI	MALZEMENİN YABANCI ADI	KOMP. MİK.	DAG. BİRİMİ
1	MXC2348LUH		Tavan Döşemesi-Gri	Headlining-Ripple Grey	1	ADET
2	MWC9832LUH	2540-99-573-7236	Plastik Tutturucu-Gri	Drive Fastener Ripple Grey	4	ADET
3	MTC5212	2510-99-788-8230	'A' Bölgesi Döşemesi Sağ	'A' Post Trim RH	1	ADET
	MWC2314	2540-99-595-6506	'A' Bölgesi Döşemesi Sol	'A' Post Trim LH	1	ADET
4	71A00-81339-AA	5306-27-006-2745	Sac Vidası	Drive Screw	4	ADET
5	MWC5712LUH		B' Bölgesi Döşemesi Sağ-Gri	B' Post Trim RH-Ripple Grey	1	ADET
	MWC5713LUH		B' Bölgesi Döşemesi Sol-Gri	B' Post Trim LH-Ripple Grey	1	ADET
6	MWC5710LUH		Arka Köşe Döşemesi-Sağ-Gri	Rear Pillar Trim RH-Ripple Grey	1	ADET
	MWC5711LUH		Arka Köşe Döşemesi-Sol-Gri	Rear Pillar Trim LH-Ripple Grey	1	ADET
7	MWC5708LUH		Arka Alt Döşeme-Gri	Rear Lower-Trim-Ripple Grey	1	ADET
8	MWC9832LUH	2540-99-573-7236	Plastik Tutturucu-Gri	Drive Fastener-Ripple Grey	7	ADET
9	MTC5486	2540-99-788-8236	Bağlama Braketi	Mounting Bracket	7	ADET
10	RA608236L		Perçin	Rivet	14	ADET
11	MWC9604		Takviye Tavan Döşemesi	Retainer Headlining	1	ADET
11	71A00-81345-AA	5306-27-006-2748	Sac Vidası	Drive Screw	4	ADET

NOT:Şasi No 314369'dan itibaren.

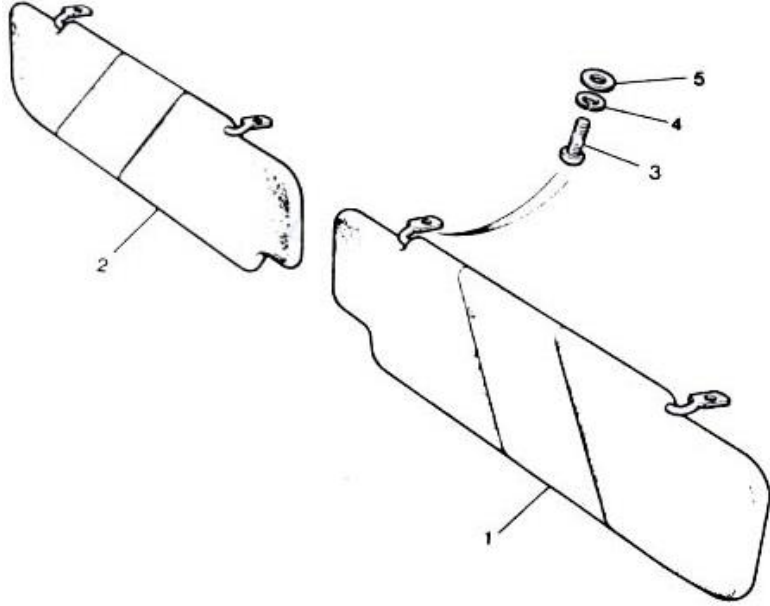
## LAND ROVER 110 YEDEK PARÇALARI

13-15

## İÇ TRİM - INTERIOR TRIM

## GÜNEŞ SİPERLİKLERİ

RES. NO	PARÇA NO	NATO STOK NO	MALZEMENİN ADI	MALZEMENİN YABANCI ADI	KOMP. MİK.	DAG. BİRİMİ
1	71A00-72056-AC	2540-27-005-9893	Güneş Siperliği Komple-Sağ	Sun Visor Assy RH	1	ADET
2	71A00-72057-AC	2540-27-005-9892	Güneş Siperliği Komple-Sol	Sun Visor Assy LH	1	ADET
3	14C01-80094-AA	5305-27-006-2737	Sac Vidası	Screw (SE106201)	4	ADET



	71A00-81352-AA	5306-27-006-2752	Civata	Screw	4	ADET
	71A00-81328-AA	5305-27-006-2731	Civata	Screw (SE106251)	4	ADET
	AB614081	5305-99-977-3272	Civata	Screw	4	ADET
4	11000-80301-AA	5310-27-006-2927	Rondela	Spring Washer	4	ADET
5	11000-80351-AA	5310-27-006-2934	Pul	Plain Washer	4	ADET

NOT1:Döşemesiz araçlarda Şasi No KA926047'ye kadar.  
 NOT2:Döşemesiz araçlarda Şasi No KA926048'den itibaren.  
 NOT3:Döşemeli araçlarda Şasi No KA926047'ye kadar.  
 NOT4:Döşemeli araçlarda Şasi No KA926048'den itibaren.

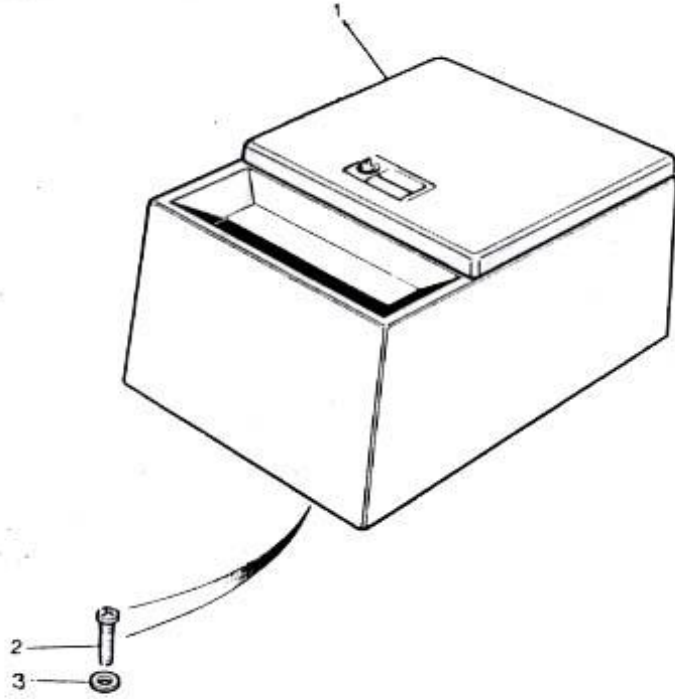
### LAND ROVER 110 YEDEK PARÇALARI

13-16

### İÇ TRİM - INTERIOR TRIM

#### TRİM-TORPİDO KOMPLE TRIM-CONSOLE ASSEMBLY

RES. NO	PARÇA NO	NATO STOK NO	MALZEMENİN ADI	MALZEMENİN YABANCI ADI	KOMP. MİK.	DAG. BİRİMİ
1	71A00-72230-AB		Torpido Komple	Console Assembly	1	ADET
2	71A00-81329-AA	5305-99-198-0006	Sac Vidası	Drive Screw (SE106351)	4	ADET
3	11000-80351-AA	5310-27-006-2934	Pul	Plain Washer	4	ADET



## LAND ROVER 110 YEDEK PARÇALARI

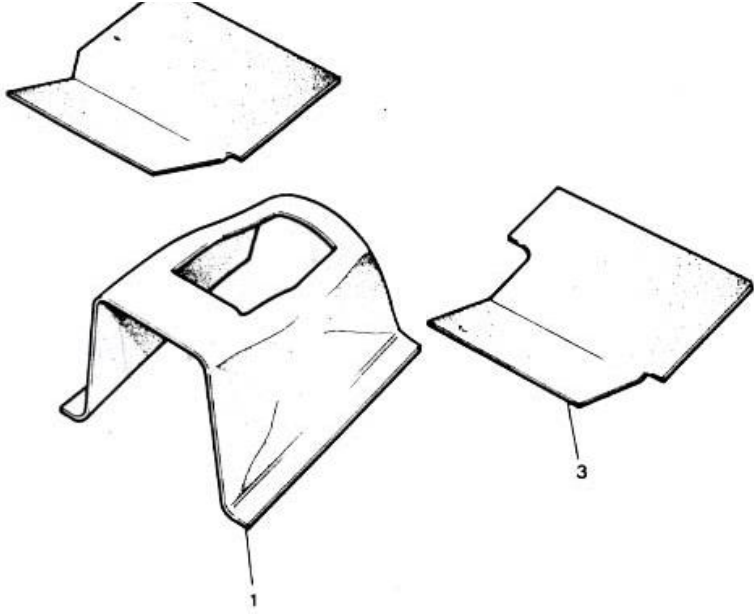
13-17

## İÇ TRİM - INTERIOR TRIM

### TRİM-ÖN TABAN

RES. NO	PARÇA NO	NATO STOK NO	MALZEMENİN ADI	MALZEMENİN YABANCI ADI	KOMP. Mik.	DAG. BİRİMİ
1	MUC1621-LD	2540-99-120-2389	Tünel Kapağı	Tunnel Cover	1	ADET
2	MUC2270-LD	2540-99-513-2217	Ön Taban Kaplama Sağ	Front Floor Cover RH	1	ADET
3	MUC2271-LD	2540-99-700-3413	Ön Taban Kaplama Sol	Front Floor Cover LH	1	ADET

2



LAND ROVER 110 YEDEK PARÇALARI

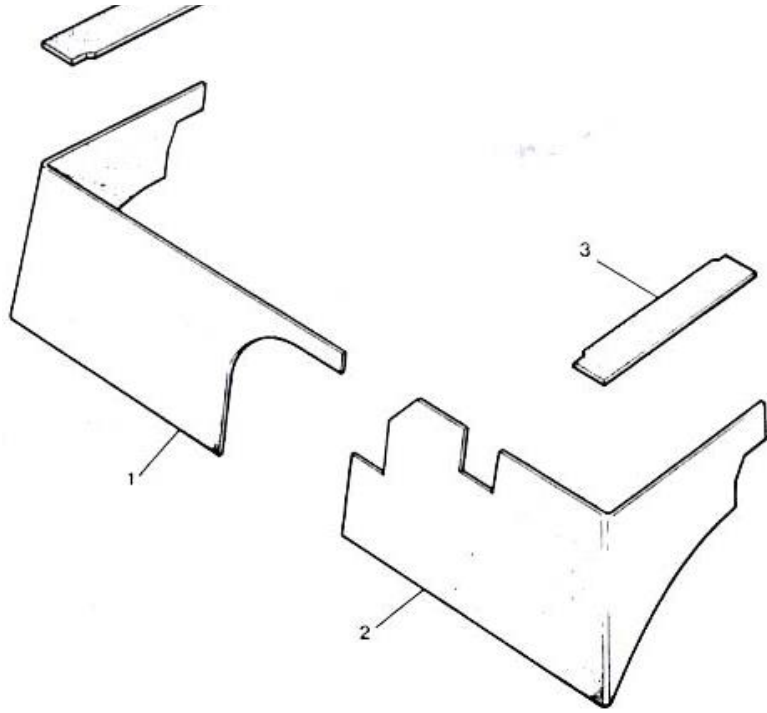
13-18

İÇ TRİM - INTERIOR TRIM

TRİM-KOLTUK TABANI

RES. NO	PARÇA NO	NATO STOK NO	MALZEMENİN ADI	MALZEMENİN YABANCI ADI	KOMP. Mik.	DAG. BİRİMİ
1	MTC8523-LD		Koltuk Tabanı İzolasyonu-Sağ	Seatbase Insulation-Front-RH	1	ADET
2	MTC8613-LD		Koltuk Tabanı İzolasyonu-Sol	Seatbase Insulation-Front-LH	1	ADET
3	396950-LD	2540-99-825-4492	Koltuk Tabanı İzol Üst-Sağ	Seatbase Insulation-Top-RH	1	ADET
	396951-LD	2540-99-825-4493	Koltuk Tabanı İzol Üst-Sol	Seatbase Insulation-Top-LH	1	ADET





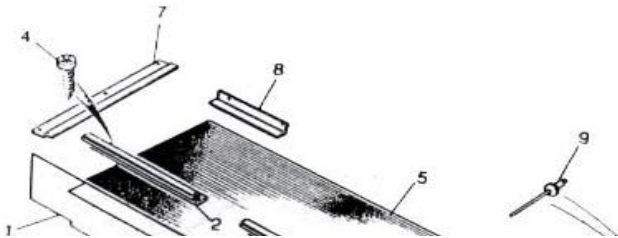
**LAND ROVER 110 YEDEK PARÇALARI**

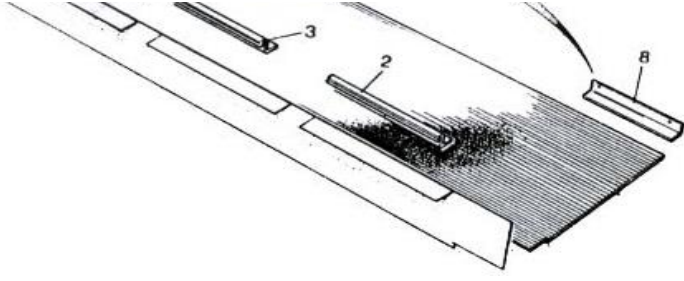
**13-19**

**İÇ TRİM - INTERIOR TRIM**

**TRİM-ARA TABAN**

RES. NO	PARÇA NO	NATO STOK NO	MALZEMENİN ADI	MALZEMENİN YABANCI ADI	KOMP. MİK.	DAG. BİRİMİ
1	396540-LD		Panel Kapağı	Toe Panel Cover	1	ADET
2	396541-L		Tutucu-Dış	Retainer-Outer	2	ADET
3	396542-L		Tutucu-Orta	Retainer-Centre	1	ADET
4	11000-81346-AA	5306-27-006-2739	Sac Vidası	Drive Screw	6	ADET
5	331481-LD	2540-99-845-0158	Ara Taban Paspası	Intermediate Floor Mat	1	ADET
7	331480-LD		Tutucu Yan	Retainer-Side	2	ADET
	71A00-72080-AA		Çıta-Taban Kaplama-Sol	Bar-LH	1	ADET
8	336780-LD	5340-99-215-4717	Tutucu Sağ-Yan Duvar	Retainer-RH-Heelboard	1	ADET
	336781-LD	5340-99-337-0956	Tutucu Sol-Yan Duvar	Retainer-LH-Heelboard	1	ADET
9	78248	5320-99-970-3518	Perçin	Rivet	4	ADET





NOT1:Kasım 1992'ye kadar.  
NOT2:Kasım 1992'den itibaren.

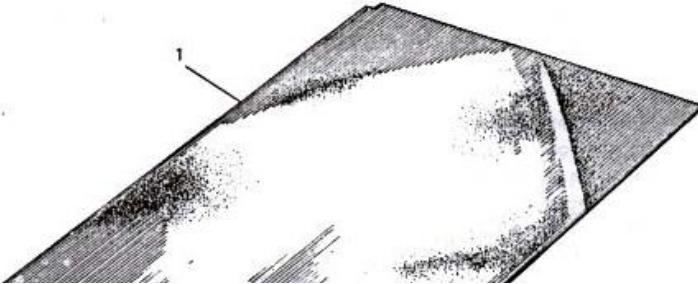
## LAND ROVER 110 YEDEK PARÇALARI

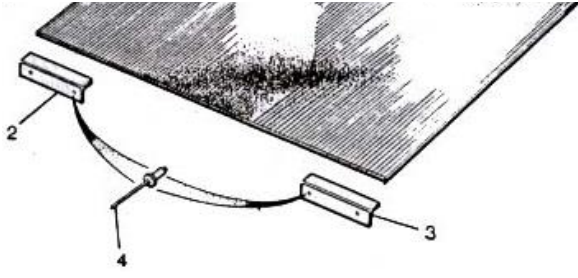
13-20

## İÇ TRİM - INTERIOR TRIM

### TRİM-ARKA TABAN

RES. NO	PARÇA NO	NATO STOK NO	MALZEMENİN ADI	MALZEMENİN YABANCI ADI	KOMP. MİK.	DAG. BİRİMİ
1	331670-L	2540-99-845-0159	Arka Taban	Rear Floor Mat	1	ADET
2	336780-LD	5340-99-215-4717	Tutucu-Sağ	Retainer RH	1	ADET
3	336781-LD	5340-99-337-0956	Tutucu-Sol	Retainer LH	1	ADET
4	RU612253	5320-99-322-2855	Pop Perçin	Pop Rivet	4	ADET





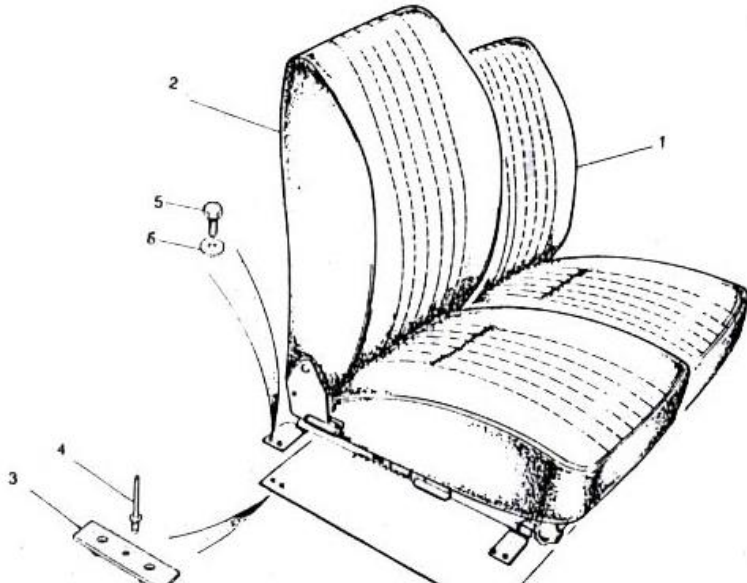
LAND ROVER 110 YEDEK PARÇALARI

14-1

KOLTUKLAR-SEATS

ÖN KOLTUKLAR (1990 MODEL YILINA KADAR)  
FRONT SEATS (UPTO 1990 MODEL YEAR)

RES. NO	PARÇA NO	NATO STOK NO	MALZEMENİN ADI	MALZEMENİN YABANCI ADI	KOMP. MİK.	DAG. BİRİMİ
1	71A00-68010-AA		Sürücü Koltuğu-Kmpl. Siyah Deri	Driver Seat Assy-Black Vinly	1	ADET
	71A00-68010-BA		Sürücü Koltuğu-Kmpl. Gri Kumaş	Driver Seat Assy-Gray Cloth	1	ADET
	71A00-68010-AB		Sürücü Koltuğu-Kmpl. Gri Deri	Driver Seat Assy-Gray Vinly	1	ADET
2	71A00-68020-AA		Yolcu Koltuğu-Kmpl. Siyah Deri	Driver Seat Assy-Black Vinly	1	ADET
	71A00-68020-BA		Yolcu Koltuğu-Kmpl. Gri Kumaş	Driver Seat Assy-Gray Cloth	1	ADET
	71A00-68020-AB		Yolcu Koltuğu-Kmpl. Gri Deri	Driver Seat Assy-Gray Vinly	1	ADET
3	MTC7631-L	5310-99-777-0319	Somunlu Sac	Nut Plate	8	ADET
4	11000-80409-AA		Pop Perçin	Pop Rivet	8	ADET
5	11000-80009-AA	5306-27-006-2701	Cıvata	Screw (SH106251)	16	ADET
6	11000-80351-AA	5310-27-006-2934	Pul	Plain Washer	16	ADET



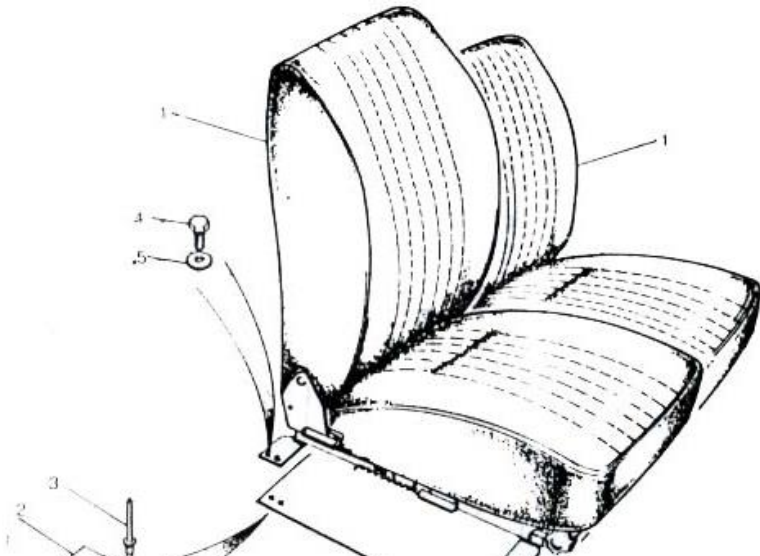
LAND ROVER 110 YEDEK PARÇALARI

14-2

KOLTUKLAR-SEATS

ÖN KOLTUKLAR (1990 MODEL YILINDAN SONRA)  
FRONT SEATS (FROM 1990 MODEL YEAR)

RES. NO	PARÇA NO	NATO STOK NO	MALZEMENİN ADI	MALZEMENİN YABANCI ADI	KOMP. Mik.	DAĞ. BİRİMİ
1	71A00-68010-AE		Şöför Koltuğu Komple	Driver Seat Assy	1	ADET
	71A00-68010-AF	2540-27-005-9891	Şöför Koltuğu Komple	Driver Seat Assy	1	ADET
	71A00-68020-AE		Yolcu Koltuğu Komple	Passenger Seat Assy	1	ADET
	71A00-68202-AA		Kılıf-Ön Koltuklar	Cover-Frt. Seats	2	ADET
	71A00-68202-AA		Kılıf-Ön Koltuklar	Cover-Frt. Seats	2	ADET
2	MTC7631-L	5310-99-777-0319	Somunlu Sac	Nut Plate	8	ADET
3	RU608313	5320-99-631-0777	Pop Perçin	Pop Rivet	8	ADET
4	11000-80009-AA	5306-27-006-2701	Civata	Screw (SH106251)	8	ADET
5	11000-80351-AA	5310-27-006-2934	Pul	Plain Washer	8	ADET







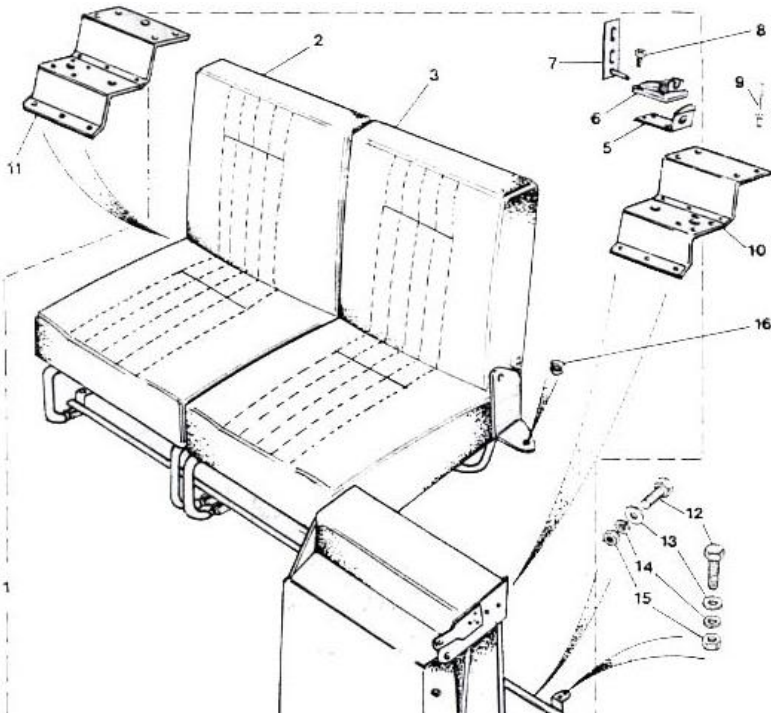
NOT:Askeri araçlar içindir.  
 NOT1:1992 model yılına kadar.  
 NOT2:1992 model yılından itibaren.

## LAND ROVER 110 YEDEK PARÇALARI

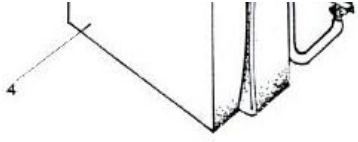
14-3

## KOLTUKLAR-SEATS

### ORTA KOLTUKLAR



RES. NO	PARÇA NO	NATO STOK NO	MALZEMENİN ADI	MALZEMENİN YABANCI ADI	KOMP. MİK.	DAĞ. BİRİMİ
1	71A00-68051-AA		Orta Kolt.Kmp.Siyah Vinylex	RR Frw.Facing seats Bick Viny.	1	ADET
	71A00-68051-AB		Orta Kolt.Kmp.Gri Vinylex	RR Frw.Facing Seats Gray Viny.	1	ADET
	71A00-68051-BA		Orta Koltuklar Kmp Gri Kumaş	RR Frw.Facing Seats Gray Clth.	1	ADET
2	71A00-68030-AB		Koltuk Komple-Sağ	Seat Assy-RH	1	ADET
3	71A00-68032-AB		Koltuk Komple-Orta	Seat Assy-Middle	1	ADET
4	71A00-68034-AB		Koltuk Komple-Sol	Seat Assy-LH	1	ADET
5	71A00-68076-AA		Yay Çelik Sac	Steel Spring Plate	2	ADET
6	71A00-68077-AA		Plastik Yatak	Plastic Bed	2	ADET
7	71A00-68078-AA		Sac Mili	Pin Plate	2	ADET
8	14C01-81333-AA		Sac Vidası	Screw	8	ADET
9	71A00-80415-AA		Pop Perçin	Pop Rivet	18	ADET
10	71A00-68074-AA		Braket-Sol	Bracket-LH	1	ADET
11	71A00-68072-AA		Braket-Sağ	Bracket-RH	1	ADET
12	11000-80017-AA	5306-27-006-2704	Civata	Screw (SH108251)	7	ADET
13	11000-80354-AA	5310-27-006-2935	Pul	Washer	7	ADET
14	14C02-80302-AA		Rondela	Spring Washer	7	ADET
15	11000-80203-AA	5310-27-006-2769	Somun	Nut	7	ADET
16	301347-L	5325-99-844-9557	Lastik Tapa	Plug	2	ADET



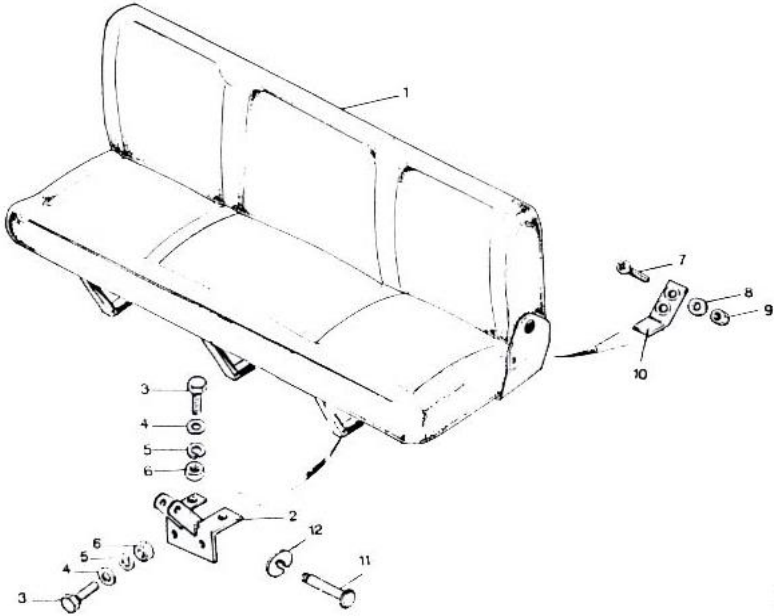
## LAND ROVER 110 YEDEK PARÇALARI

14-4

## KOLTUKLAR-SEATS

### ORTA KOLTUKLAR

RES. NO	PARÇA NO	NATO STOK NO	MALZEMENİN ADI	MALZEMENİN YABANCI ADI	KOMP. MİK.	DAĞ. BİRİMİ
1	71A00-68022-AA		Orta Koltuk	Rear Forward Facing Seat	1	ADET
	71B00-68022-AA		Orta Üçlü Koltuk	Rear Forward Facing Seat	1	ADET
	71A10-68204-AA		Kilit-Arka Koltuklar	Cover-Rear Forward Facing Seat	1	ADET
2	71A00-68024-AA		Koltuk Braketi	Bracket-Seat	2	ADET
3	11000-80017-AA	5306-27-006-2704	Civata	Screw	8	ADET
4	11000-80354-AA	5310-27-006-2935	Pul	Washer	8	ADET
5	11000-80302-AA	5310-27-006-2928	Rondela	Spring Washer	8	ADET
6	11000-80203-AA	5310-27-006-2769	Nut	Somun	8	ADET
7	31B05-80135-AA		Civata	Screw	4	ADET
8	71A00-80323-AA	5310-99-138-7965	Pul	Plain Washer	4	ADET
9	14C01-80243-AA	5310-27-006-2761	Fiberli Somun	Nyloc Nut (NY108041)	4	ADET
10	71A00-68107-AA		Kilit Karşılığı Sacı	Plate Striker	2	ADET
11	71A00-68108-AA		Pim	Pin	2	ADET
12	71A00-80512-AA		Segman	Retainer Clip (336536)	2	ADET



NOT:Sadece askeri araçlarda.  
NOT1:Opsiyon araçlarında 1993 yılından itibaren.

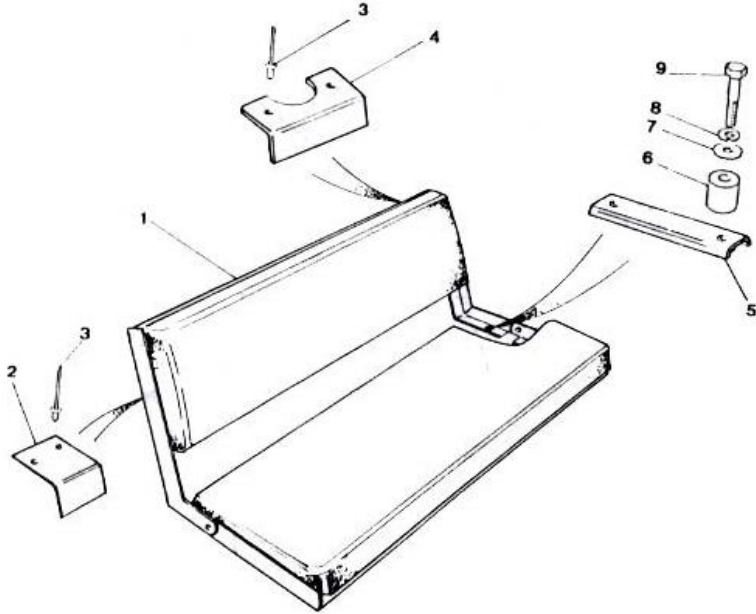
## LAND ROVER 110 YEDEK PARÇALARI

14-5

## KOLTUKLAR-SEATS

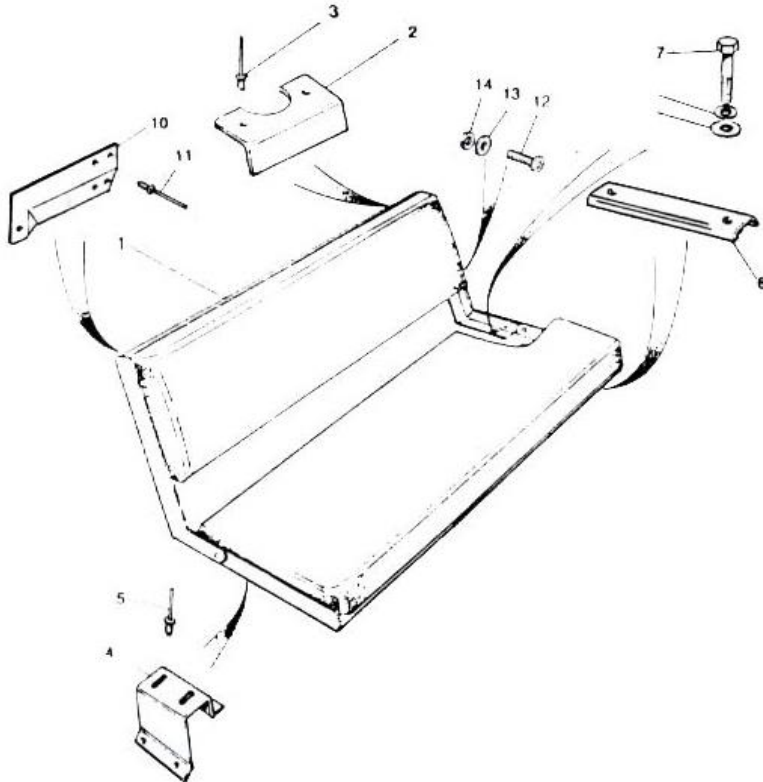
ARKA YAN KOLTUKLAR S/W (1990 M.YILINA KADAR)  
REAR TRANSVERSE SEATS S/W (UPTO 1990  
M.YEAR)

RES. NO	PARÇA NO	NATO STOK NO	MALZEMENİN ADI	MALZEMENİN YABANCI ADI	KOMP. MIK.	DAG. BİRİMİ
1	71A00-68040-AA		Arka Koltuk-Kmpl. Siyah Vinylex	Rear Seat Assy-Black Vinyl	1	ADET
	71A00-68040-AB		Arka Koltuk-Kmpl. Gri Vinylex	Rear Seat Assy-Gray Vinyl	1	ADET
	71A00-68040-BA		Arka Koltuk-Kmpl. Gri Kumaş	Rear Seat Assy-Gray Cloth	1	ADET
2	71A00-68075-AA		Braket	Bracket	1	ADET
3	71A00-80415-AA		Pop Perçin	Pop Rivet	4	ADET
4	334601-L		Braket	Bracket	1	ADET
5	MRC6843-L		Somunlu Sac	Nut Plate	2	ADET
6	MRC6845-L		Ara Parça	Spacer	4	ADET
7	71A00-80380-AA		Pul	Washer	4	ADET
8	14C01-80302-AA	5310-99-137-9231	Yaylı Rondela	Spring Washer	4	ADET
9	14C01-80103-AA	5305-99-122-5256	Civata	Bolt (BH108101)	4	ADET



LAND ROVER 110 YEDEK PARÇALARI

ARKA YAN KOLTUKLAR S/W (1990 M.YILINDAN SONRA)  
REAR TRANSVERSE SEATS S/W (FROM 1990)



14-6

KOLTUKLAR-SEATS

RES. NO	PARÇA NO	NATO STOK NO	MALZEMENİN ADI	MALZEMENİN YABANCI ADI	KOMP. MİK.	DAĞ. BİRİMİ
1	71A00-68042-AA		Arka Yan Koltuk Komple Sol	Rear Transv.Seat Assy LH	1	ADET
	71A00-68042-AB		Arka Yan Koltuk Komple Sol	Rear Transv.Seat Assy LH	1	ADET
	71B00-68042-AA		Arka Yan Koltuk Komple Sol	Rear Transv.Seat Assy LH	1	ADET
	71A00-68044-AA		Arka Yan Koltuk Komple Sağ	Rear Transv.Seat Assy RH	1	ADET
	71A00-68044-AB		Arka Yan Koltuk Sağ	Rear Transv.Seat RH	1	ADET
	71B00-68044-AA		Arka Yan Koltuk Komple Sağ	Rear Transv.Seat Assy RH	1	ADET
2	334601-L		Takviye Sacı	Retaining Bracket	4	ADET
3	RU612253	5320-99-322-2855	Pop Perçin	Pop Rivet	8	ADET
4	71A00-68073-AA		Sac-Arka Koltuk Ön	Plate-Frt./Rear Seat	2	ADET
5	RU612253	5320-99-322-2855	Pop Perçin	Pop Rivet	8	ADET
6	MRC6843-L		Somunlu Sac Komple	Nut Plate Assy	4	ADET
7	11000-80017-AA	5306-27-006-2704	Civata	Screw (SH108251)	8	ADET
8	71A00-80380-AA		Pul	Washer	8	ADET
9	14C01-80302-AA	5310-99-137-9231	Rondela	Spring Washer	8	ADET
10	MWC6924-L		Takviye Braketi-Sağ	Retaining Bracket-RH	1	ADET
	MWC6925-L		Takviye Braketi-Sol	Retaining Bracket-LH	1	ADET
11	RA612157	5320-99-711-6294	Pop Perçin	Pop Rivet	8	ADET
12	11003-80076-AA	5305-99-122-6643	Civata	Screw (SE106161)	2	ADET
13	11000-80351-AA	5310-27-006-2934	Pul	Plain Washer	2	ADET
14	11000-80301-AA	5310-27-006-2927	Rondela	Spring Washer	2	ADET

NOT1:1992 model yılından önce.

NOT2:1992 model yılından itibaren.

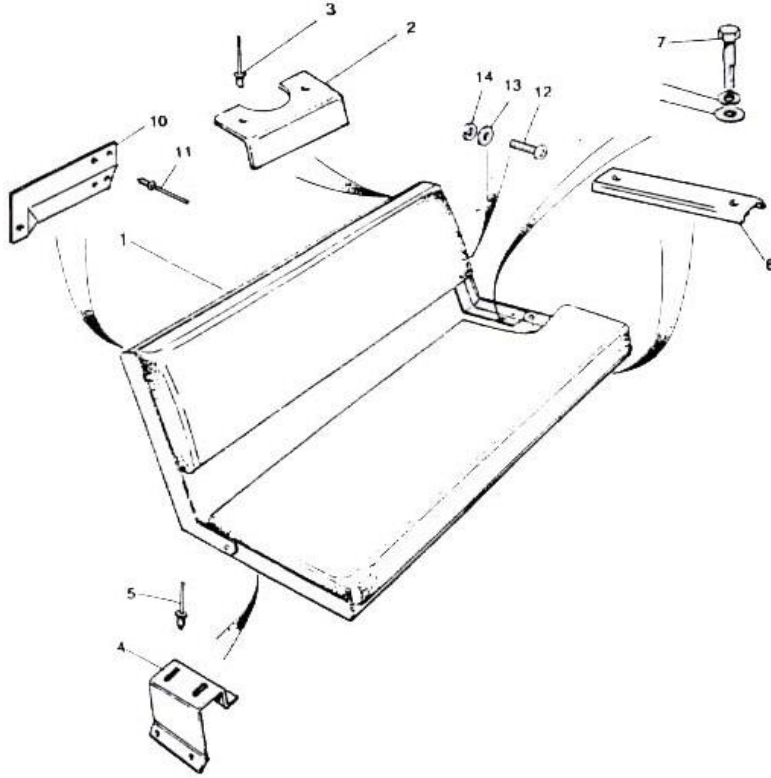
NOT3:Opsiyon araçlarda 1993 yılından itibaren.

## LAND ROVER 110 YEDEK PARÇALARI

14-7

## KOLTUKLAR-SEATS

ARKA YAN KOLTUKLAR/ASKERİ S/W (1990 M.YILINDAN SONRA)  
REAR TRANSVERSE SEATS /MILITARY S/W  
(FROM 1990 M.Y)



RES. NO	PARÇA NO	NATO STOK NO	MALZEMENİN ADI	MALZEMENİN YABANCI ADI	KOMP. MİK.	DAĞ. BİRİMİ
1	71A00-68042-AA		Arka Yan Koltuk Komple Sol	Rear Transv.Seat Assy LH	1	ADET
	71A00-68039-AA		Arka Yan Koltuk Komple Kılıflı Sol	Rear Transv.Seat Assy With Cover LH	1	ADET
	71A00-68044-AA		Arka Yan Koltuk Komple Sağ	Rear Transv.Seat Assy RH	1	ADET
	71A00-68041-AA		Arka Yan Koltuk Kılıflı Komple Sağ	Rear Transv.Seat Assy With Cover RH	1	ADET
	71A00-68206-AA		Kılıf Arka Yan Koltuk	Cover Rear Transv.Seat	2	ADET
2	334601-L		Takviye Sacı	Retaining Bracket	4	ADET
3	RU612253	5320-99-322-2855	Pop Perçin	Pop Rivet	8	ADET
4	71A00-68073-AA		Sac-Arka Koltuk Ön	Plate-Frt./Rear Seat	2	ADET
5	RU612253	5320-99-322-2855	Pop Perçin	Pop Rivet	8	ADET
6	MRC6843-L		Somunlu Sac Komple	Nut Plate Assy	4	ADET
7	11000-80017-AA	5306-27-006-2704	Civata	Screw (SH108251)	8	ADET
8	71A00-80380-AA		Pul	Washer	8	ADET
9	14C01-80302-AA	5310-99-137-9231	Rondela	Spring Washer	8	ADET
10	MWC6924-L		Takviye Braketi-Sağ	Retaining Bracket-RH	1	ADET
	MWC6925-L		Takviye Braketi-Sol	Retaining Bracket-LH	1	ADET
11	RA612157	5320-99-711-6294	Pop Perçin	Pop Rivet	8	ADET
12	11003-80076-AA	5305-99-122-6643	Civata	Screw (SE106161)	2	ADET
13	11000-80351-AA	5310-27-006-2934	Pul	Plain Washer	2	ADET
14	11000-80301-AA	5310-27-006-2927	Rondela	Spring Washer	2	ADET

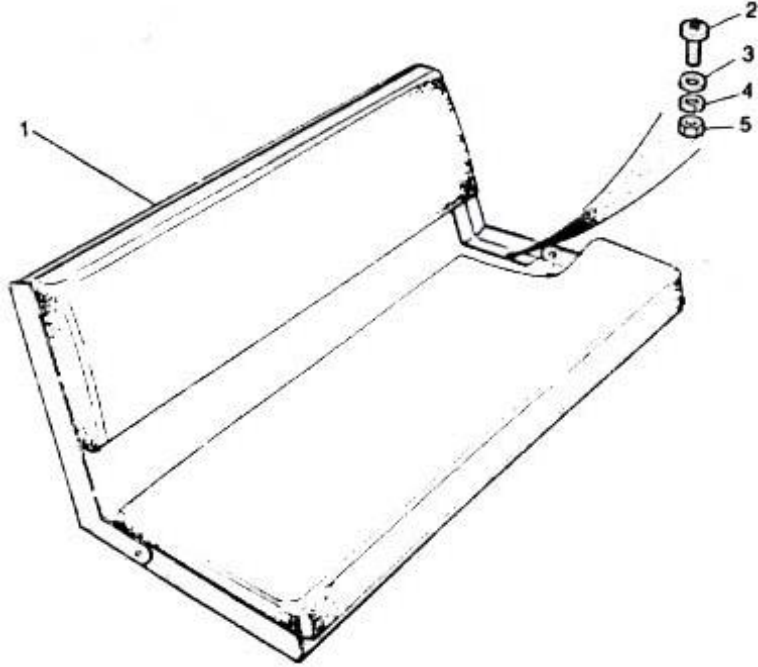
NOT1:1992 model yılına kadar.  
NOT2:1992 model yılından itibaren.

## LAND ROVER 110 YEDEK PARÇALARI

14-8

## KOLTUKLAR-SEATS

**ARKA YAN KOLTUKLAR-TENTELİ  
REAR TRANSVERSE SEATS-SOFT TOP**



RES. NO	PARÇA NO	NATO STOK NO	MALZEMENİN ADI	MALZEMENİN YABANCI ADI	KOMP. MİK.	DAG. BİRİMİ
1	71A50-68040-AC		Arka Yan Koltuk Komple	Rear Traverse Seat Assy	4	ADET
	71A50-68039-AD		Arka Yan Koltuk Komple-Kılıflı	Rear Traverse Seat Assy-Covered	4	ADET
	71A50-68206-AA		Kılıf-Arka Yan Koltuklar	Cover-Rear Transverse Seats	4	ADET
	71A50-68206-AB		Kılıf-Arka Yan Koltuklar	Cover-Rear Transverse Seats	4	ADET
2	71A00-81332-AA	5305-27-006-2733	Civata	Screw (SE108251)	8	ADET
3	11000-80354-AA	5310-27-006-2935	Pul	Washer	16	ADET
4	11000-80302-AA	5310-27-006-2928	Rondela	Spring Washer	8	ADET
5	11000-80203-AA	5310-27-006-2769	Somun	Nut	8	ADET

NOT1:Aralık 1991'den önce  
NOT2:Aralık 1991'den itibaren.

**LAND ROVER 110 YEDEK PARÇALARI**

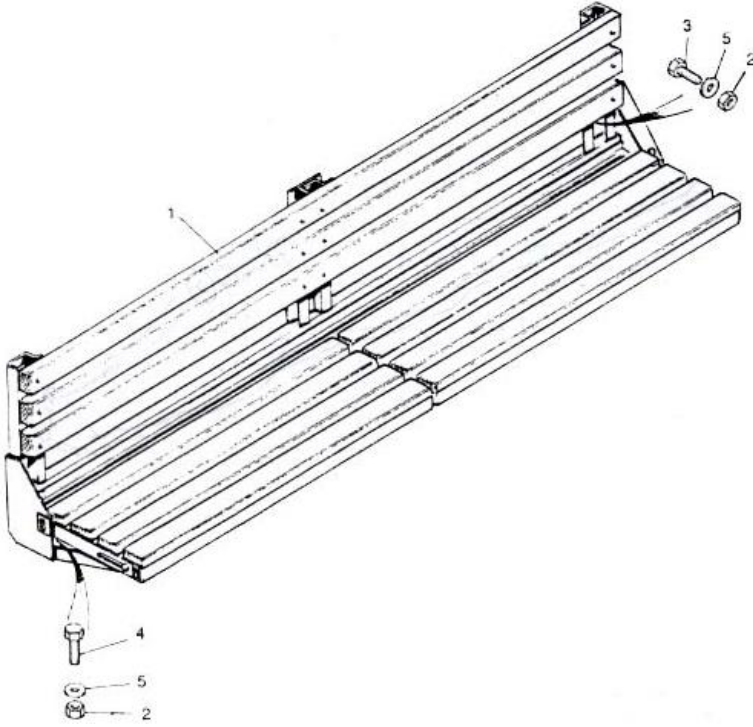
**14-9**

**KOLTUKLAR-SEATS**

**KOLTUKLAR-BANK KOMPLE (ASKERİ PİKAP)  
SEATS-BANK ASSY (MILITARYHCPU)**

RES. NO	PARÇA NO	NATO STOK NO	MALZEMENİN ADI	MALZEMENİN YABANCI ADI	KOMP. MİK.	DAG. BİRİMİ
1	72A10-60102-AA		Bank Komple	Bank Assy	2	ADET
2	14C01-80243-AA	5310-27-006-2761	Fiberli Somun	Nyloc Nut (NY108041)	16	ADET

3	14A00-80003-AA	5305-99-122-5257	Civata	Screw	8	ADET
4	11000-80017-AA	5306-27-006-2704	Civata	Screw (SH108251)	8	ADET
5	11000-80354-AA	5310-27-006-2935	Pul	Washer	16	ADET



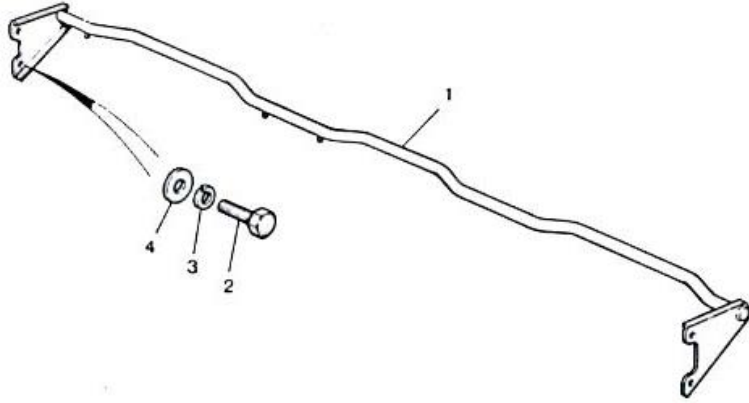
### LAND ROVER 110 YEDEK PARÇALARI

14-10

### KOLTUKLAR-SEATS

ARKA KOLTUKLAR-TUTAMAK ASKERİ S/WAGON  
REAR SEATS-GRAB RAIL MILITARY STATION  
WAGON

RES. NO	PARÇA NO	NATO STOK NO	MALZEMENİN ADI	MALZEMENİN YABANCI ADI	KOMP. MİK.	DAG. BİRİMİ
1	MWC4380-L		Tutamak	Grab Rail	1	ADET
2	11000-80017-AA	5306-27-006-2704	Civata	Screw (SH108251)	4	ADET
3	11000-80354-AA	5310-27-006-2935	Pul	Washer	4	ADET
4	11000-80302-AA	5310-27-006-2928	Rondela	Spring Washer	4	ADET



LAND ROVER 110 YEDEK PARÇALARI

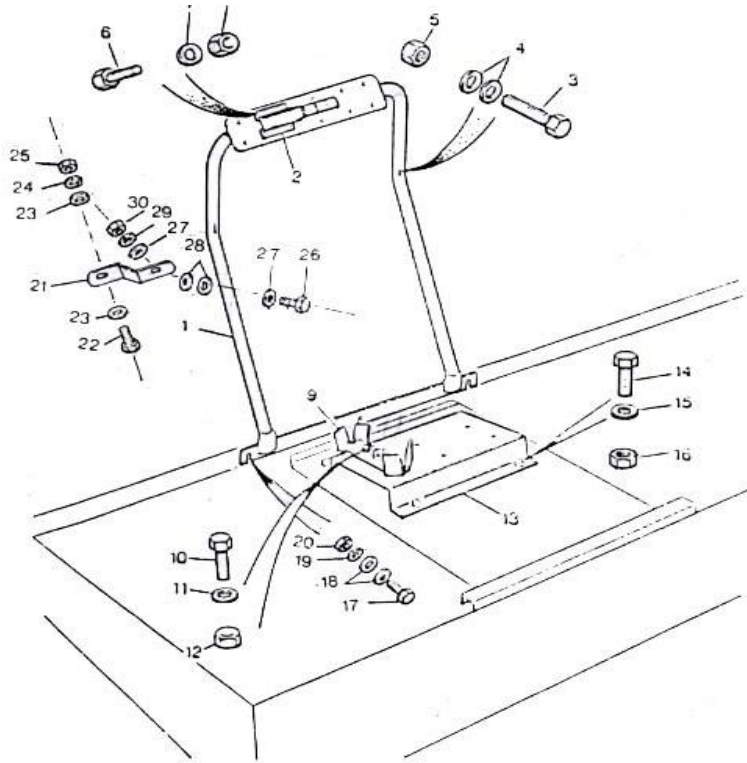
14-11

KOLTUKLAR-SEATS

SİLAH ASKILIKLARI ASKERİ-S/W VE TENELİ  
SMALL ARMS CLIPS MILITARY-S/W & S/TOP

RES. NO	PARÇA NO	NATO STOK NO	MALZEMENİN ADI	MALZEMENİN YABANCI ADI	KOMP. MİK.	DAG. BİRİMİ
1	RRC5295-L	5340-27-006-8241	Silah Askılığı Bağl. Brk.	Mtg.Brk. Rifle Clips	1	ADET
2	RRC5332		Kelepçe	Clip	3	ADET
3	71A10-80050-AA		Civata	Bolt (BH106131)	2	ADET
4	11000-80351-AA	5310-27-006-2934	Pul	Washer (WA106041)	4	ADET
5	71A10-80211-AA	5310-27-006-2767	Fiberli Somun	Nyloc Nut (NY106041)	2	ADET
6	71A10-80074-AA	5306-27-006-2717	Civata	Screw (SH105161)	12	ADET





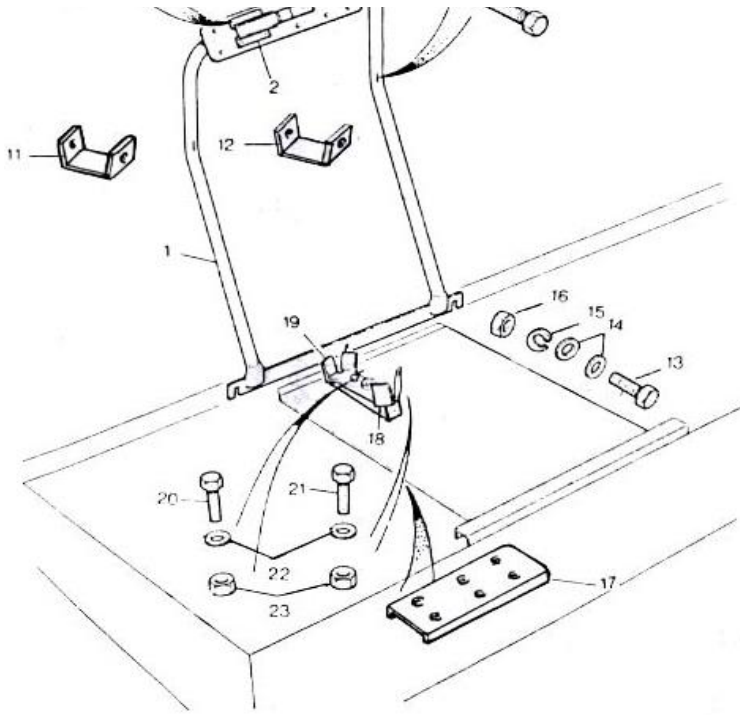
7	71A00-80315-AA	5310-99-122-3032	Pul	Plain Washer	12	ADET
8	71A10-80208-AA	5310-99-122-5494	Fiberli Somun	Nyloc Nut(NY105041)	12	ADET
9	RRC5331		Dipçik Oturağı	Clip-Rifle Bult	3	ADET
10	11000-80008-AA	5306-27-006-2700	Civata	Screw (SH106201)	6	ADET
11	11000-80351-AA	5310-27-006-2934	Pul	Plain Washer	6	ADET
12	71A10-80211-AA	5310-27-006-2767	Fiberli Somun	Nyloc Nut (NY106041)	6	ADET
13	RRC5318-LD		Dipçik Oturağı Bağl.Brk.	Mtg.Brk. Rifle Butt Clip	1	ADET
14	71A10-80068-AA	5306-27-006-2716	Civata	Screw (SH106141)	4	ADET
15	11000-80351-AA	5310-27-006-2934	Pul	Washer (WA106041)	4	ADET
16	71A00-80201-AA	5310-27-006-2772	Somun	Nut (NH106041)	4	ADET
17	14C01-80132-AA	5306-27-006-2689	Civata	Bolt (BH106091)	2	ADET
18	71A00-80333-AA	5310-99-740-0784	Pul	Plain Washer (AFU1080)	4	ADET
19	11000-80301-AA	5310-27-006-2927	Rondela	Spring Washer	2	ADET
20	71A00-80201-AA	5310-27-006-2772	Somun	Nut (NH106041)	2	ADET
21	71A50-30354-AA		Bağlantı Braketi	Mtg. Bracket	2	ADET
22	11000-80008-AA	5306-27-006-2700	Civata	Screw (SH106201)	2	ADET
23	71A00-80333-AA	5310-99-740-0784	Pul	Plain Washer (AFU1080)	4	ADET
24	11000-80301-AA	5310-27-006-2927	Rondela	Spring Washer	2	ADET
25	71A00-80201-AA	5310-27-006-2772	Somun	Nut (NH106041)	2	ADET
26	14C01-80132-AA	5306-27-006-2689	Civata	Bolt (BH106091)	2	ADET
27	71A00-80333-AA		Pul	Plain Washer	4	ADET
28	302373-L	5310-99-849-8248	Lastik Conta	Sealing Washer	4	ADET
29	11000-80301-AA	5310-27-006-2927	Rondela	Spring Washer	2	ADET
30	71A00-80201-AA	5310-27-006-2772	Somun	Nut (NH106041)	2	ADET

## LAND ROVER 110 YEDEK PARÇALARI

### SİLAH ASKILIKLARI ASKERİ-S/W VE TENTELİ



14-12		KOLTUKLAR-SEATS				
RES. NO	PARÇA NO	NATO STOK NO	MALZEMENİN ADI	MALZEMENİN YABANCI ADI	KOMP. MİK.	DAĞ. BİRİMİ
1	RRC5295-L	5340-27-006-8241	Silah Askılığı Bağl. Brk.	Mtg.Brk. Rifle Clips	1	ADET
2	RRC5332		Kelepçe	Clip	3	ADET
3	14C01-80132-AA	5306-27-006-2689	Civata	Bolt (BH106091)	2	ADET
4	71A00-80333-AA	5310-99-740-0784	Pul	Plain Washer (AFU1080)	2	ADET
5	302373-L	5310-99-849-8248	Lastik Conta	Sealing Washer	2	ADET
6	11000-80301-AA	5310-27-006-2927	Rondela	Spring Washer	2	ADET
7	71A00-80201-AA	5310-27-006-2772	Somun	Nut (NH106041)	2	ADET
8	71A10-80074-AA	5306-27-006-2717	Civata	Screw (SH105161)	12	ADET
9	71A00-80315-AA	5310-99-122-3032	Pul	Plain Washer	12	ADET
10	71A10-80208-AA	5310-99-122-5494	Fiberli Somun	Nyloc Nut (NY105041)	12	ADET



11	72A10-30354-AA	5340-27-006-2816	Bağlantı Braketi	Mtg. Bracket	2	ADET
12	72A10-30355-AA	5340-27-006-2817	Bağlantı Braketi	Mtg. Bracket	2	ADET
13	14C01-80132-AA	5306-27-006-2689	Civata	Bolt (BH106091)	2	ADET
14	71A00-80333-AA	5310-99-740-0784	Pul	Plain Washer (AFU1080)	4	ADET
15	11000-80301-AA	5310-27-006-2927	Rondela	Spring Washer	2	ADET
16	71A00-80201-AA	5310-27-006-2772	Somun	Nut (NH106041)	2	ADET
17	71B21-73040-AA	2541-27-006-2893	Takviye	Support Bracket	1	ADET
18	71B21-73041-AA		Takoz	Buffer	3	ADET
19	RRC5331		Dipçik Oturağı	Clip-Rifle Bolt	3	ADET
20	11000-80010-AA	5306-27-006-2705	Civata	Screw (SH106301)	3	ADET
21	11003-80075-AA	5306-27-006-2711	Civata	Screw (SH106351)	3	ADET
22	11000-80351-AA	5310-27-006-2934	Pul	Washer (WA106041)	6	ADET
23	71A10-80211-AA	5310-27-006-2767	Somun	Nyloc Nut (NY106041)	6	ADET

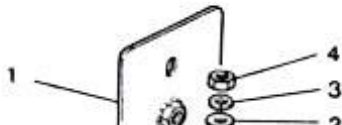
### LAND ROVER 110 YEDEK PARÇALARI

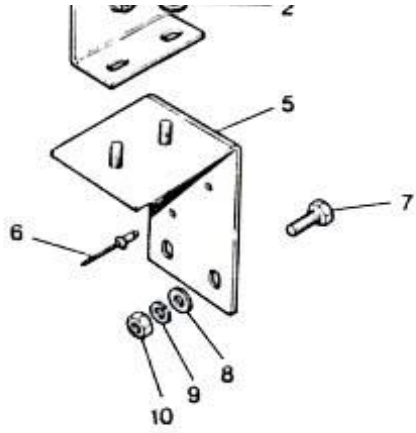
14-13

### KOLTUKLAR-SEATS

EMNİYET KEMER BAĞLANTILARI-ÖN KOLTUKLAR-  
PİKAP  
SAFETY HARNESS ANCHORAGES-FRONT SEATS-  
CHASIS CAB

RES. NO	PARÇA NO	NATO STOK NO	MALZEMENİN ADI	MALZEMENİN YABANCI ADI	KOMP. Mik.	DAĞ. BİRİMİ
1	MTC4090-LD		Bağlantı Braketi-Emniyet Kemer	Mounting Brkt.Intertia Reel	2	ADET
2	71A00-80323-AA	5310-99-138-7965	Pul	Plain Washer	4	ADET
3	11000-80302-AA	5310-27-006-2928	Rondela	Spring Washer	4	ADET
4	71A00-80203-AA	5310-27-006-2774	Somun	Nut (NH108041)	4	ADET
5	MRC8524	5340-99-301-7190	Bağlantı Braketi-Bölme	Mounting Bracket-Bulkhead	2	ADET
6	RA612347	5320-99-136-1459	Perçin	Rivet	4	ADET
7	11000-80017-AA	5306-27-006-2704	Civata	Screw (SH108251)	4	ADET
8	71A00-80324-AA	5310-99-122-6475	Pul	Plain Washer	4	ADET
9	11000-80302-AA	5310-27-006-2928	Rondela	Spring Washer	4	ADET
10	71A00-80203-AA	5310-27-006-2774	Somun	Nut (NH108041)	4	ADET





**LAND ROVER 110 YEDEK PARÇALARI**

**14-14**

**KOLTUKLAR-SEATS**

**EMNİYET KEMER BAĞLANTILARI-ÖN KOLTUKLAR-  
PİKAP  
SAFETY HARNESS ANCHORAGES-FRONT SEATS-**

RES. NO	PARÇA NO	NATO STOK NO	MALZEMENİN ADI	MALZEMENİN YABANCI ADI	KOMP. MİK.	DAG. BİRİMİ
1	72A10-72022-AA		Emniyet Kemer Braketi-Sol	Mounting Brkt.Intertia Reel LH	1	ADET
2	72A10-72023-AA		Emniyet Kemer Braketi-Sağ	Mounting Brkt.Intertia Reel RH	1	ADET
3	11000-80305-AA	5310-27-006-2930	Rondela	Spring Washer	2	ADET
4	71A00-80180-AA	5306-27-006-2724	Civata	Bolt	2	ADET

NOT: Mart 1992'den itibaren.

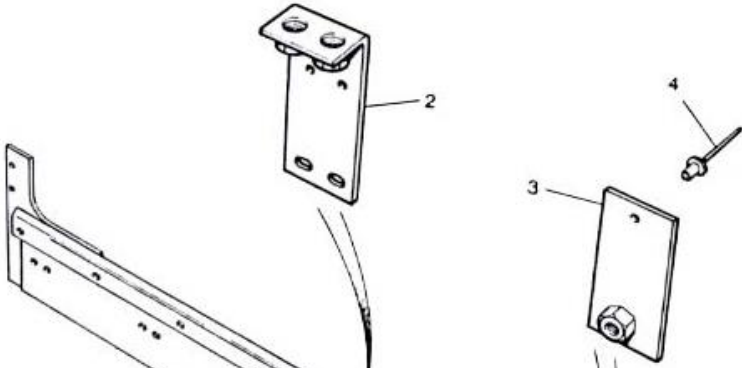
### LAND ROVER 110 YEDEK PARÇALARI

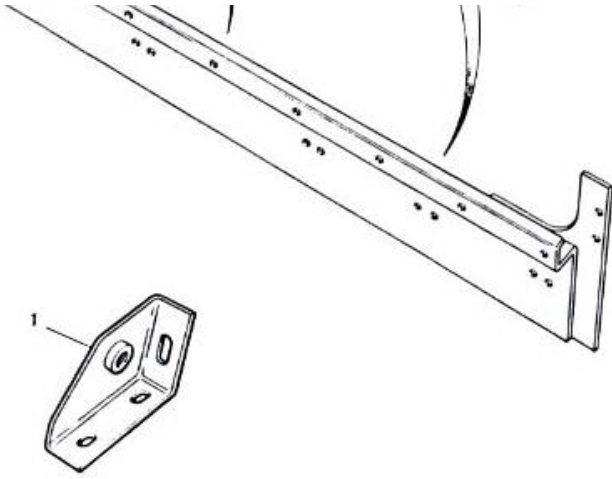
14-15

### KOLTUKLAR-SEATS

EMNİYET KEMER BAĞLANTILARI-ÖN KOLTUKLAR-  
S/W  
SAFETY HARNESS ANCHORAGES-FRONT SEATS-  
STATION WAGON

RES. NO	PARÇA NO	NATO STOK NO	MALZEMENİN ADI	MALZEMENİN YABANCI ADI	KOMP. MİK.	DAG. BİRİMİ
1	345100-LD	2510-99-825-5113	Eşik Köşebenti-Sağ	Sill Gusset RH	1	ADET
	345101-LD	2510-99-825-5114	Eşik Köşebenti-Sol	Sill Gusset LH	1	ADET
2	395249-LD	4820-00-125-5511	Kemer Braketi	Harness Bracket	2	ADET
3	MRC4731-L		Somunlu Sac. Emn. Kemer Bağl.	Nut Plate-Inertia Reel Mount.	2	ADET
4	RU612373L	5320-99-120-9002	Perçin	Rivet	2	ADET





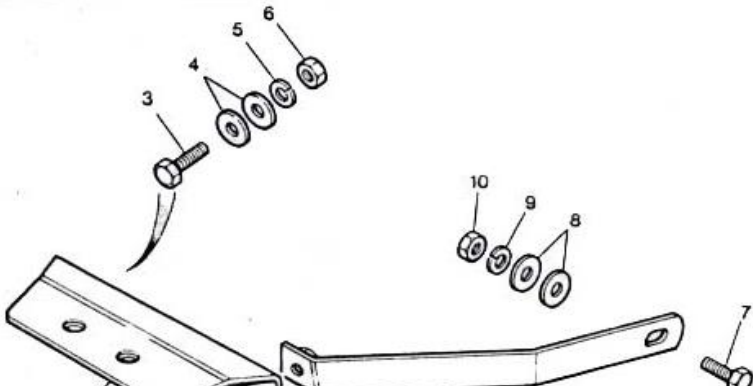
### LAND ROVER 110 YEDEK PARÇALARI

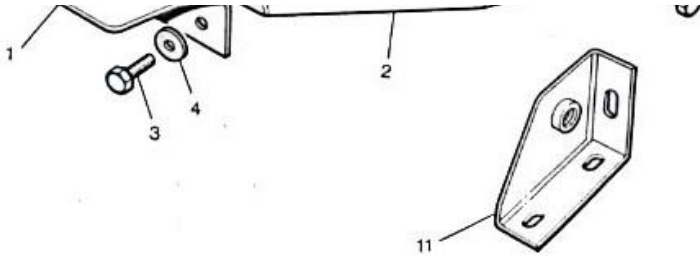
14-16

### KOLTUKLAR-SEATS

EMNİYET KEMER BAĞLANTILARI-ÖN KOLTUKLAR-  
TENTELİ  
SAFETY HARNESS ANCHORAGES-FRONT SEATS-  
SEATBASE-SOFT TOP

RES. NO	PARÇA NO	NATO STOK NO	MALZEMENİN ADI	MALZEMENİN YABANCI ADI	KOMP. MİK.	DAĞ. BİRİMİ
1	395252	2590-99-779-3857	Emniyet Kemerı Bağl.Braketi	Harness Bracket	2	ADET
	MRC4885	2540-99-839-2775	Bağlantı Çubuğu Sağ	Tie Bar RH	1	ADET
2	MRC4886	2540-99-839-2776	Bağlantı Çubuğu Sol	Tie Bar LH	1	ADET
3	BH108071	5305-99-122-8103	Civata	Screw	4	ADET
4	71A00-80349-AA	5310-27-006-2964	Pul	Plain Washer	6	ADET
5	11000-80302-AA	5310-27-006-2928	Rondela	Spring Washer	4	ADET
6	71A00-80203-AA	5310-27-006-2774	Somun	Nut (NH108041)	2	ADET
7	11000-80017-AA	5306-27-006-2704	Civata	Screw (SH108251)	2	ADET
8	71A00-80349-AA	5310-27-006-2964	Pul	Plain Washer	4	ADET
9	11000-80302-AA	5310-27-006-2928	Rondela	Spring Washer	2	ADET
10	71A00-80203-AA	5310-27-006-2774	Somun	Nut (NH108041)	2	ADET
11	345100-LD	2510-99-825-5113	Eşik Köşebenti Sağ	Sill Gusset RH	1	ADET
	345101-LD	2510-99-825-5114	Eşik Köşebenti Sol	Sill Gusset LH	1	ADET





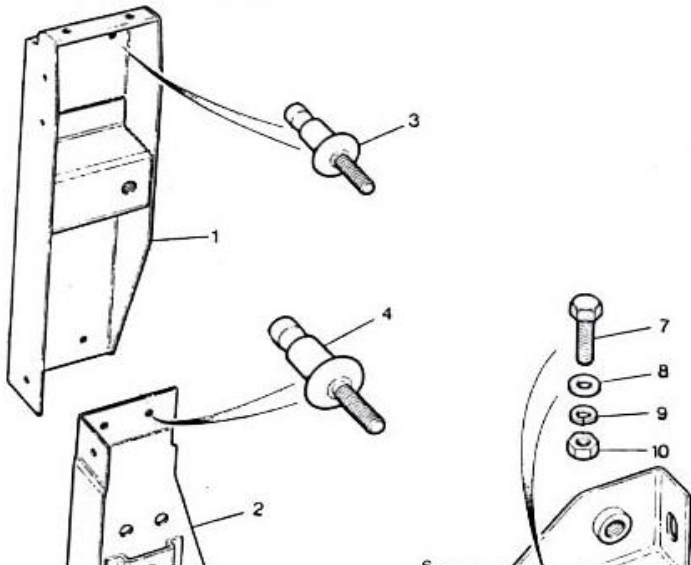
### LAND ROVER 110 YEDEK PARÇALARI

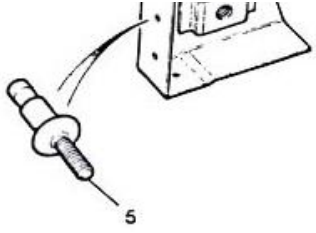
14-17

### KOLTUKLAR-SEATS

#### EMNİYET KEMER BAĞLANTILARI-ÖN KOLTUKLAR-PİKAP SAFETY HARNESS ANCHORAGES-FRONT

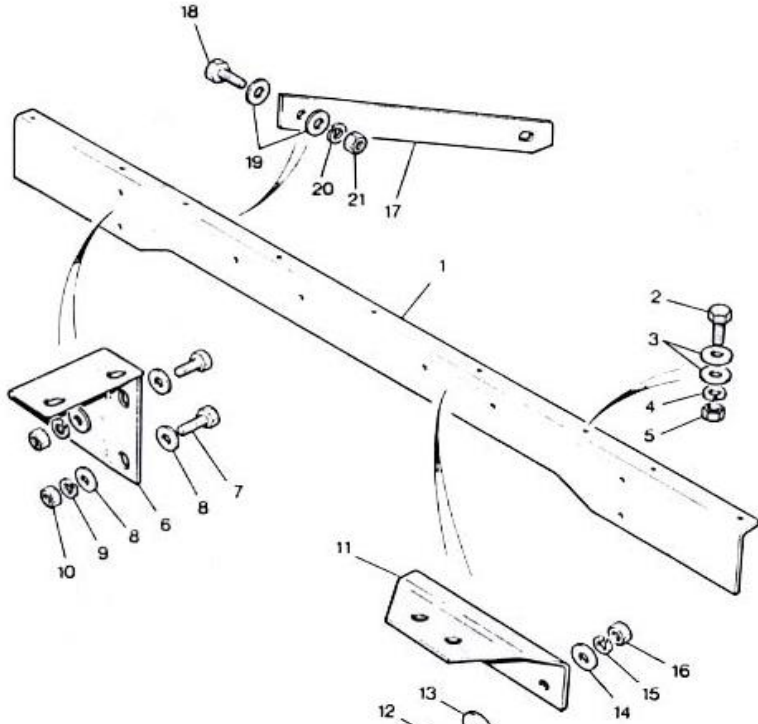
RES. NO	PARÇA NO	NATO STOK NO	MALZEMENİN ADI	MALZEMENİN YABANCI ADI	KOMP. MİK.	DAĞ. BİRİMİ
1	MRC9361		Omuzluk Bağlantısı Üst Sol	Shoulder Anchorage Upper LH	1	ADET
	MRC9362		Omuzluk Bağlantısı Üst Sağ	Shoulder Anchorage Upper RH	1	ADET
2	MRC9367		Omuzluk Bağlantısı Alt Sol	Shoulder Anchorage Lower LH	1	ADET
	MRC9368		Omuzluk Bağlantısı Alt Sağ	Shoulder Anchorage Lower RH	1	ADET
3	AFU1298	5320-66-128-5186	Özel Civata	Monobolt	12	ADET
4	AFU1350	5320-99-788-7398	Özel Civata	Monobolt	6	ADET
5	AFU1298	5320-66-128-5186	Özel Civata	Monobolt	12	ADET
6	345100-LD	2510-99-825-5113	Eşik Köşebentli Sağ	Sill Gusset RH	1	ADET
	345101-LD	2510-99-825-5114	Eşik Köşebentli Sol	Sill Gusset LH	1	ADET
7	11000-80009-AA	5306-27-006-2701	Civata	Screw (SH106251)	1	ADET
8	71A00-80357-AA	5310-27-006-2966	Pul	Plain Washer (AFU1069)	2	ADET
9	11000-80301-AA	5310-27-006-2927	Rondela	Spring Washer	2	ADET
10	71A00-80201-AA	5310-27-006-2772	Somun	Nut (NH106041)	2	ADET





## LAND ROVER 110 YEDEK PARÇALARI

### EMNİYET KEMER BAĞLANTILARI-ÖN KOLTUKLAR-TABAN KOMPLE-PİKAP SAFETY HARNESS ANCHORAGES-FRONT SEATS-BASE ASSY-TRUCK CAB



## 14-18

## KOLTUKLAR-SEATS

RES. NO	PARÇA NO	NATO STOK NO	MALZEMENİN ADI	MALZEMENİN YABANCI ADI	KOMP. MİK.	DAĞ. BİRİMİ
1	MTC3042	5340-99-864-6869	Takviye Köşebentli-Pikap	Reinforcing Angle-Cab Base	1	ADET
2	11000-80017-AA	5306-27-006-2704	Civata	Screw (SH108251)	9	ADET
3	71A00-80323-AA	5310-99-138-7965	Pul	Plain Washer	18	ADET
4	11000-80302-AA	5310-27-006-2928	Rondela	Spring Washer	9	ADET
5	71A00-80203-AA	5310-27-006-2774	Somun	Nut (NH108041)	9	ADET
6	MTC3051	5340-99-709-0899	Takviye Braketi-Sağ	Stiffener Bracket RH	1	ADET
	MTC3052	5340-99-850-0409	Takviye Braketi-Sol	Stiffener Bracket LH	1	ADET
7	11000-80017-AA	5306-27-006-2704	Civata	Screw (SH108251)	2	ADET
	11000-80019-AA	5306-27-006-2706	Civata	Screw (SH108301)	2	ADET
8	71A00-80323-AA	5310-99-138-7965	Pul	Plain Washer	8	ADET
9	11000-80302-AA	5310-27-006-2928	Rondela	Spring Washer	4	ADET
10	71A00-80203-AA	5310-27-006-2774	Somun	Nut (NH108041)	4	ADET
11	395252	2590-99-779-3857	Kemer Bağlantı Braketi	Harness Mounting Bracket	2	ADET
12	11000-80017-AA	5306-27-006-2704	Civata	Screw (SH108251)	4	ADET
13	71A00-80349-AA	5310-27-006-2964	Pul	Plain Washer (AFU1079)	4	ADET
14	71A00-80323-AA	5310-99-138-7965	Pul	Plain Washer	4	ADET
15	11000-80302-AA	5310-27-006-2928	Rondela	Spring Washer	4	ADET
16	71A00-80203-AA	5310-27-006-2774	Somun	Nut (NH108041)	4	ADET
17	MTC3032	2540-99-244-8283	Bağlantı Çubuğu	Tie Bar	2	ADET
18	11000-80017-AA	5306-27-006-2704	Civata	Screw (SH108251)	4	ADET
19	71A00-80323-AA	5310-99-138-7965	Pul	Plain Washer	8	ADET
20	11000-80302-AA	5310-27-006-2928	Rondela	Spring Washer	4	ADET
21	71A00-80203-AA	5310-27-006-2774	Somun	Nut (NH108041)	4	ADET

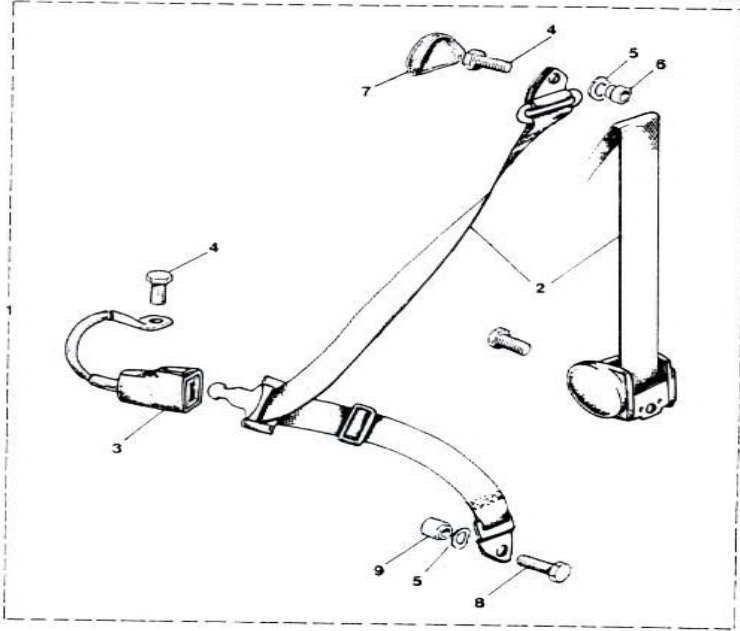


## LAND ROVER 110 YEDEK PARÇALARI

14-19

## KOLTUKLAR-SEATS

### EMNİYET KEMERİ-ÖN KOLTUKLAR



RES. NO	PARÇA NO	NATO STOK NO	MALZEMENİN ADI	MALZEMENİN YABANCI ADI	KOMP. MİK.	DAG. BİRİMİ
1	71A10-72014-BA		Makaralı Emniyet Kemerı Komple	Saety Harn.Assy-Intertia Type	1	ADET
	71A10-72014-BB		Makaralı Emniyet Kemerı Komple	Saety Harn.Assy-Intertia Type	1	ADET
	72A10-72014-AA		Makaralı Emniyet Kemerı Komple	Saety Harn.Assy-Intertia Type	1	ADET
	71A10-72014-AA		Makaralı Emniyet Kemerı Komple	Saety Harn.Assy-Intertia Type	1	ADET
	71A00-80180-AA	5306-27-006-2724	Makarasız Emniyet Kemerı Komple	Saety Harn.Assy-Static Type	2	ADET
2	71A10-72015-AA		Emniyet Kemerı	Safety Harness Assy-LH	2	ADET
	71A10-72015-BA		Emniyet Kemerı	Safety Harness Assy-LH	2	ADET
	72A10-72015-AA		Emniyet Kemerı-Sol	Safety Harness Assy-LH	1	ADET
	72A10-72025-AA		Emniyet Kemerı-Sağ	Safety Harness Assy-RH	1	ADET
3	71A00-72016-AA		Kilitli Kol-Sol	Locking Arm	1	ADET

NOT:Emniyet kemerlerinin 2 adeti 1 kompledir.

NOT1:Nisan 1992'ye kadar.

NOT2:Nisan 1992'den Mart 1993'e kadar.

NOT3:Mart 1993'ten itibaren.

NOT4:Mart 1993'ten itibaren.

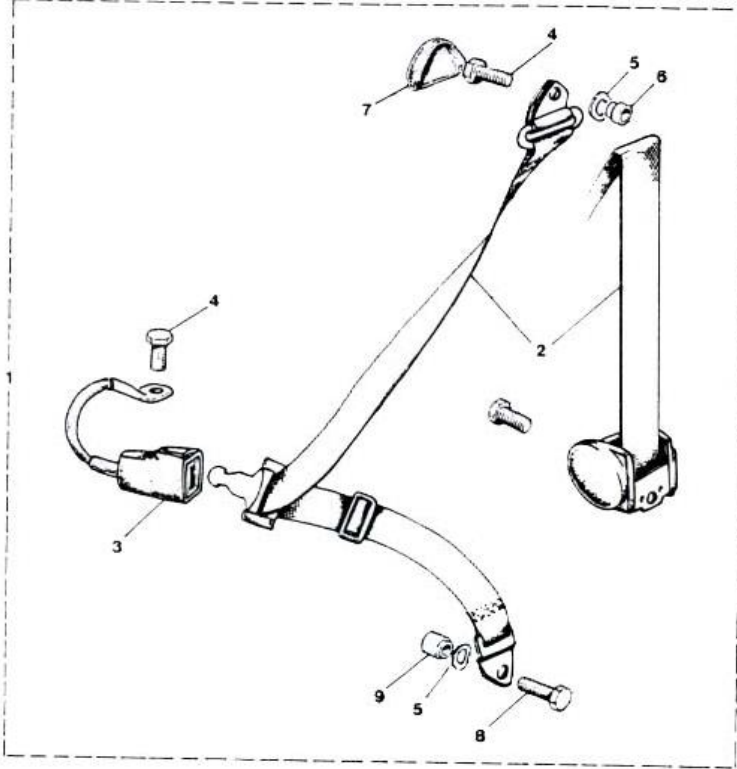
NOT5:Pikap, Tenteli ve Normal station araçlarda.

NOT6:Haziran 1991'den itibaren.



LAND ROVER 110 YEDEK PARÇALARI

EMNİYET KEMERİ-ÖN KOLTUKLAR  
SAFETY HARNESS-FRONT SEATS



14-20

KOLTUKLAR-SEATS

RES. NO	PARÇA NO	NATO STOK NO	MALZEMENİN ADI	MALZEMENİN YABANCI ADI	KOMP. Mik.	DAĞ. BİRİMİ
4	71A00-72026-AA		Kilitli Kol-Sol	Locking Arm-LH	1	ADET
5	71A00-72018-AA	3120-27-006-2782	Burç-Uzun	Bush-Long	2	ADET
	71A00-72018-AA	3120-27-006-2782	Burç-Uzun	Bush-Long	4	ADET
6	71A00-72017-AA		Burç-Kısa	Bush-Short	2	ADET
	71A00-72017-AA		Burç-Kısa	Bush-Short	4	ADET
7	71A00-72020-AA		Plastik Kapak	Plastic Cover	2	ADET
8	71A00-80181-AA	5306-27-006-2725	Civata	Bolt	2	ADET
9	11000-80305-AA	5310-27-006-2930	Rondela	Spring Washer	4	ADET
10	71A00-72019-AA	5310-27-006-2799	Pul	Plain Washer	4	ADET
11	71A00-80180-AA	5306-27-006-2724	Civata	Screw	4	ADET

NOT:Emniyet kemerlerinin 2 adeti 1 komplemdir.

NOT1:Nisan 1992'ye kadar.

NOT2:Nisan 1992'den Mart 1993'e kadar.

NOT3:Mart 1993'ten itibaren.

NOT4:Mart 1993'ten itibaren.

NOT5:Pikap, Tenteli ve Normal station araçlarda.

NOT6:Haziran 1991'den itibaren.

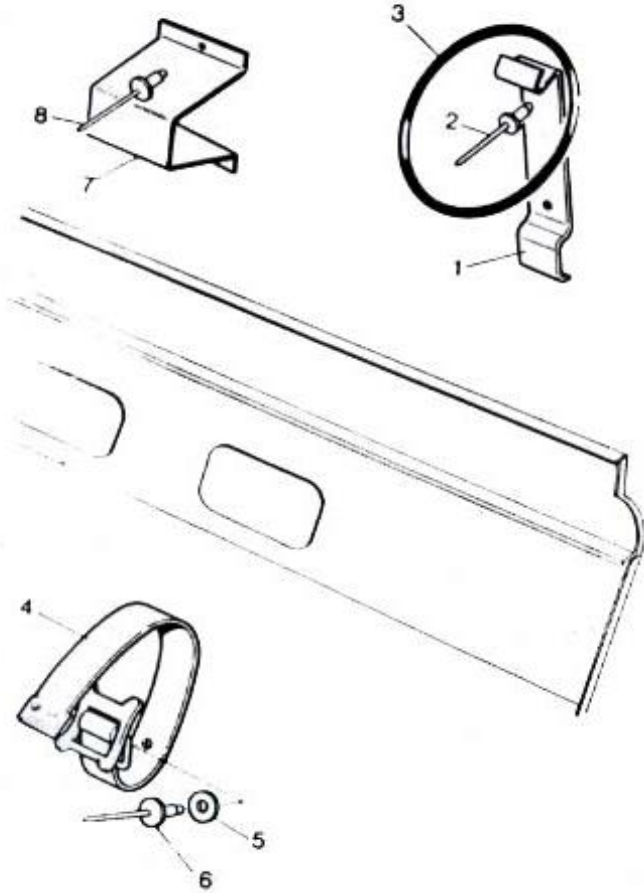
## LAND ROVER 110 YEDEK PARÇALARI

15-1

## DİĞERLERİ VE OPSİYONLAR-MISCELLANEOUS AND OPTINAL

DİĞERLERİ-ALET TUTUCU-TENTELİ-PİKAP  
MISCELLANEOUS-TOOL STOWAGE-SOFT TOP-HCPU

RES. NO	PARÇA NO	NATO STOK NO	MALZEMENİN ADI	MALZEMENİN YABANCI ADI	KOMP. MİK.	DAG. BİRİMİ
1	MTC1357-LD		Braket-Alet Çantası	Bracket-Tool Roll	1	ADET
2	RU612253	5320-99-322-2855	Perçin	Rivet	2	ADET
3	371144	2590-99-562-4286	Gergi Halkası	Retantion Ring	1	ADET
4	MTC1359-LD	5340-27-006-2844	Kayış-Kriko Gergi	Strap-Jack Retention	1	ADET
5	71A00-80381-AA	5310-27-006-2968	Pul	Plain Washer (AFU1256)	1	ADET
6	RU612253	5320-99-322-2855	Perçin	Rivet	1	ADET
7	MWC2145		Braket-Kriko Gergi	Bracket-Jack Retention	1	ADET
8	RU612253	5320-99-322-2855	Perçin	Rivet	2	ADET



NOT:Tenteli araçlarda.

## LAND ROVER 110 YEDEK PARÇALARI

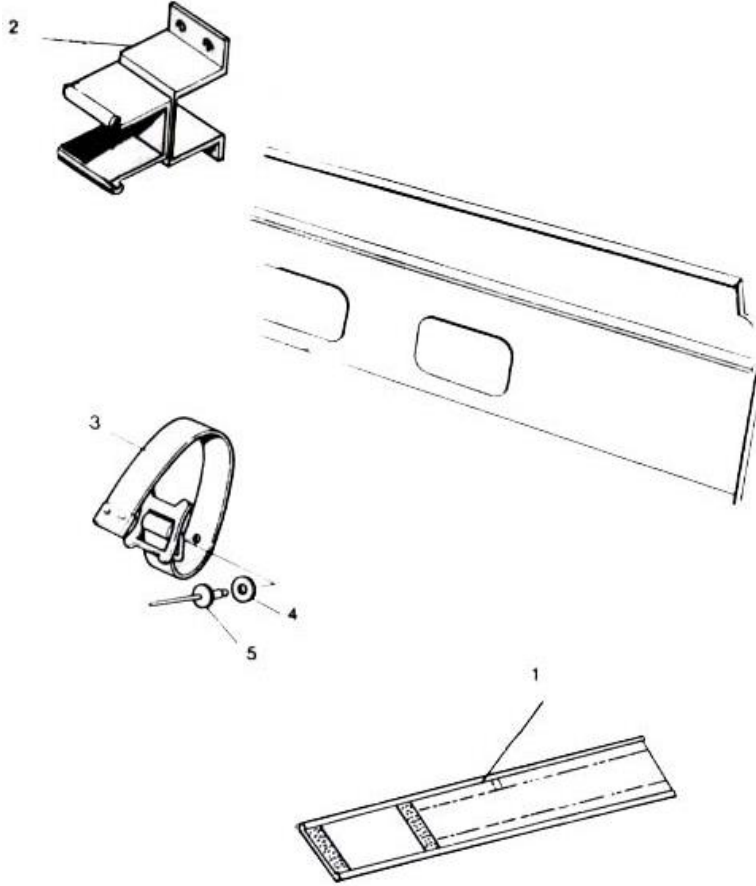
15-2

## DİĞERLERİ VE OPSİYONLAR-MISCELLANEOUS AND OPTINAL

## DİĞERLERİ-ALET TUTUCU-PİKAP

RES. NO	PARÇA NO	NATO STOK NO	MALZEMENİN ADI	MALZEMENİN YABANCI ADI	KOMP. MİK.	DAG. BİRİMİ
---------	----------	--------------	----------------	------------------------	------------	-------------

## MISCELLANEOUS-TOOL STOWAGE-HCPU



1	72A10-35040-AA		Kriko Kolu Kılıfı	Cover-Jack	1	ADET
2	72A10-35041-AA		Kriko Taşıyıcı Komple	Bracket-Jack Carrier	1	ADET
3	MTC1359-LD	5340-27-006-2844	Kayış-Kriko Taşıyıcı	Strap-Jack Retention	2	ADET
4	71A00-80310-AA	5310-27-006-2944	Pul	Plain Washer	2	ADET
5	78248	5320-99-970-3518	Pop Perçin	Pop Rivet	6	ADET

NOT:Pikap araçlar için.

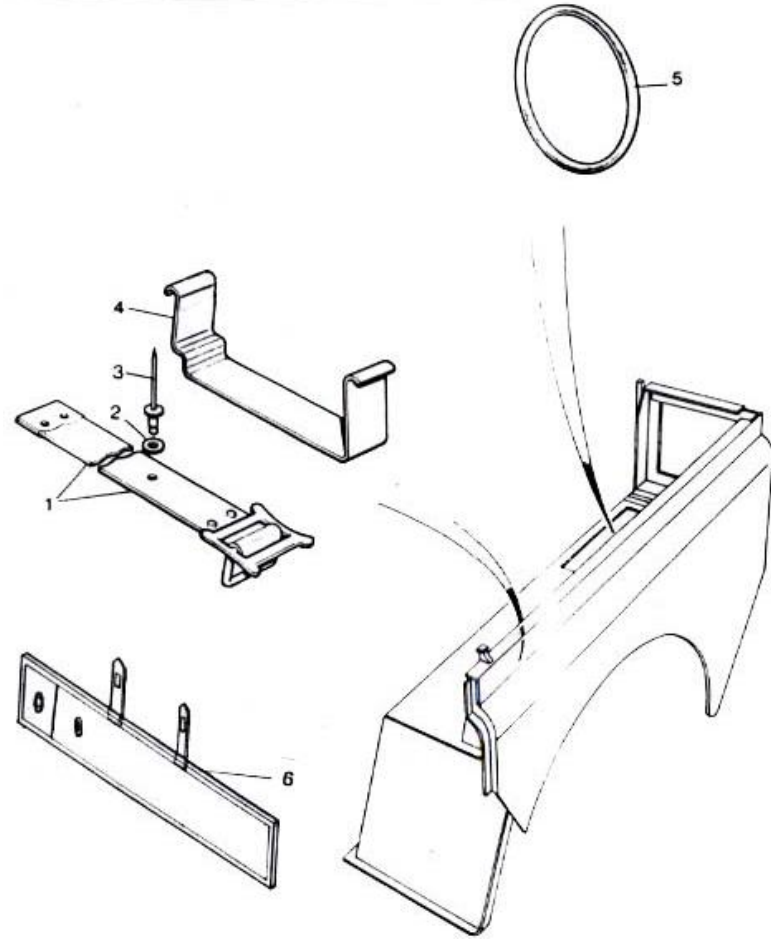
## LAND ROVER 110 YEDEK PARÇALARI

15-3

## DiĞERLERİ VE OPSİYONLAR-MISCELLANEOUS AND OPTINAL

## DiĞERLERİ-ALET TUTUCU-STATION VAGON MISCELLANEOUS-TOOL STOWAGE-STATION

RES. NO	PARÇA NO	NATO STOK NO	MALZEMENİN ADI	MALZEMENİN YABANCI ADI	KOMP. Mik.	DAĞ. Birimi
1	MTC1359-LD	5340-27-006-2844	Kayış Komple	Strap Assy	2	ADET
2	78248	5320-99-970-3518	Perçin	Rivet	2	ADET



3	71A00-80381-AA	5310-27-006-2968	Pul	Plain Washer (AFU1256)	2	ADET
4	MTC1357-LD		Braket	Bracket	1	ADET
5	371144-L	2590-99-562-4286	Tutucu Halka	Retention Ring	2	ADET
6	NRC7455-LD	2590-99-386-7294	Kriko Kılıfı Kople	Jack Stowage Bag Assy	1	ADET

NOT1:Şasi no 8FF387975'e kadar.  
NOT2:Şasi no 8FF387976'dan sonra.

### LAND ROVER 110 YEDEK PARÇALARI

15-4

### DİĞERLERİ VE OPSİYONLAR-MISCELLANEOUS AND OPTINAL

### DİĞERLERİ-ALETLER

RES. NO	PARÇA NO	NATO STOK NO	MALZEMENİN ADI	MALZEMENİN YABANCI ADI	KOMP. MİK.	DAĞ. BİRİMİ
1	71A00-35121-AA		Avadanlık Kutusu	Accessory Box	1	ADET
2	MUC4497LD	2540-27-006-7911	Kapak Komple-Avadanlık	Cap Assy-Acesory	1	ADET
3	71A10-35114-A		Avadanlık Çantası	Stowage Bag	1	ADET
4	71A10-35126-A		Lastik Kaynak Makinası	Tyre Welding	1	ADET
5	71A10-35017-A		Kriko Levyesi-Kısa	Spreader-Short	1	ADET
6	71A10-35018-A	5120-27-000-8094	Lastik Levyesi-Uzun	Spreader-Long	1	ADET

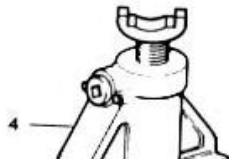
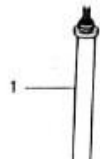
7	71A10-35122-A		Reflektör-Üçgen	Reflector-Triangle	2	ADET
8	71A10-35128-A		Ayarlı Hava Pompası	Adjustable Air Pump	1	ADET
9	71A10-35127-A		Seyyar Lamba-12 V	Portable Lamp-12 V	1	ADET
10	71A10-36034-AA	9905-27-006-2883	Reflektör-Sallanan	Swinging Type Reflector	1	ADET

**LAND ROVER 110 YEDEK PARÇALARI**

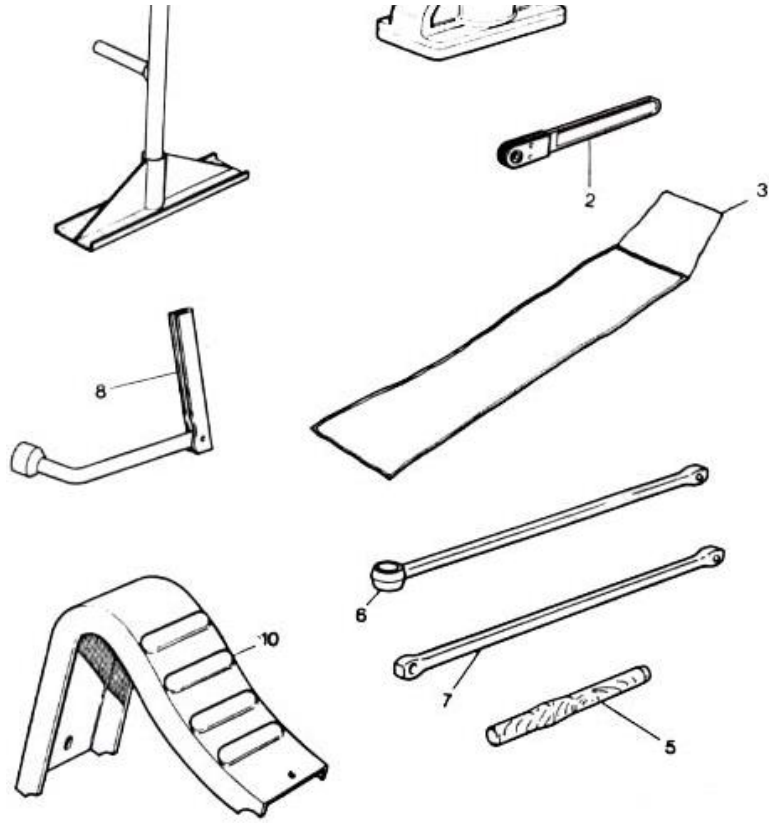
**15-5**

**DİĞERLERİ VE OPSİYONLAR-MISCELLANEOUS AND OPTINAL**

**DİĞERLERİ-ALETLER  
MISCELLANEOUS-TOOLS-CONTINUED**



RES. NO	PARÇA NO	NATO STOK NO	MALZEMENİN ADI	MALZEMENİN YABANCI ADI	KOMP. MİK.	DAG. BİRİMİ
1	NTC3296-LD		Kriko Komple	Jack	1	ADET
2	NRC6481-L		Anahtar Kolu	Ratchet Spanner	1	ADET
3	NRC7455-LD	2590-99-386-7294	Alet Çantası	Stowage Bag	1	ADET
4	NTC7956	5120-99-778-5810	Kriko	Jack	1	ADET
	71B21-35008-AA		Kriko Komple	Jack Assy	1	ADET
5	543301	5120-99-825-4618	Kol-Kriko	Handle-Jack Shaft	1	ADET
6	592514	2540-99-838-0634	Kriko Mili-Kol Parçası	Jack Shaft-Handle Piece	1	ADET
7	592513	2540-99-838-0633	Kriko Mili-Kriko Parçası	Jack Shaft-Jack Piece	1	ADET
8	71A00-35115-AA		İstavroz	Wheelbrace	1	ADET



9	71A00-35116-AA		Bijon Anahtari Borusu	Wheelbrace Pipe	1	ADET
10	11H5569-LD	2540-99-252-5717	Tekerlek Takozu	Wheel Chock	1	ADET
11	71A00-35117-AA	2540-27-011-0751	Patinaj Zinciri	Anti Skid Chain	1	ADET

NOT:Askeri pikaplar içindir.

### LAND ROVER 110 YEDEK PARÇALARI

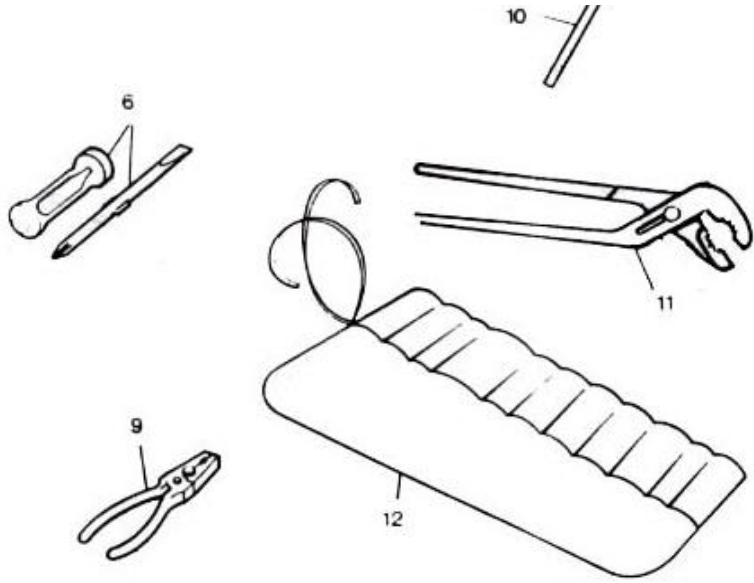
15-6

### DİĞERLERİ VE OPSİYONLAR-MISCELLANEOUS AND OPTINAL

### DİĞERLERİ-ALETLER

RES. NO	PARÇA NO	NATO STOK NO	MALZEMENİN ADI	MALZEMENİN YABANCI ADI	KOMP. Mik.	DAĞ. BİRİMİ
1	71A10-35020-AA		İlkyardım Çantası	First aid Case	1	ADET
2	71A10-35125-AA	5180-27-000-8175	Anahtar-8'li Takım	Spanner-Octet	1	ADET
3	71A00-35108-AA		Anahtar 6mmx8mm	Spanner 6mmx8mm	1	ADET
	71A00-35110-AA		Anahtar	Spanner	1	ADET
4	71A00-35102-AA		Tornavida	Screwdriver	1	ADET
5	71A10-35103-AA	5120-27-000-7882	Yıldız Tornavida	Box Spanner	1	ADET
6	71A00-35104-AA		Tornavida-Çift Uçlu	Screwdriver-Dual Purpose	1	ADET
7	71A10-35105-AA	5120-27-012-8665	Tornavida-6.5	Screwdriver-6.5	1	ADET
8	71A10-35120-AA		Çekiç 700 gr.	Hammer	1	ADET
9	71A00-35112-AA	5120-27-012-8622	Kombine Pense	Combination Pliers	1	ADET
10	MUC4275	5120-99-463-2858	Anahtar ve Kolu	Box Spanner and Tomy Bar	1	ADET





11	71A00-35113-AA		Ayarlı Pense	Adjustable Pliers	1	ADET
12	71A00-35114-AA		Alet Kesesi	Tool Roll	1	ADET

### LAND ROVER 110 YEDEK PARÇALARI

15-7

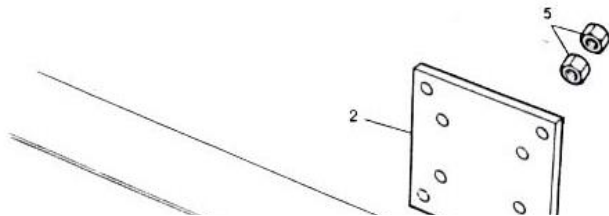
### İÇ TRİM - INTERIOR TRIM

### SİREN

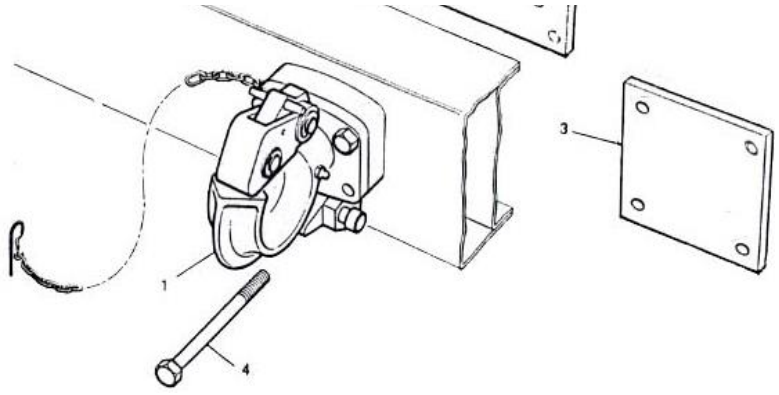
RES. NO	PARÇA NO	NATO STOK NO	MALZEMENİN ADI	MALZEMENİN YABANCI ADI	KOMP. Mik.	DAG. BİRİMİ
1	71A50-36277-AA	6350-27-006-2888	Siren	Siren	1	ADET
2	71A10-36122-AA		Kablo Komple-Siren	Cable Assy-Siren	1	ADET
3	71A10-36123-AA	6150-27-006-7811	Kablo Siren-Şasi	Cable Assy-Chassis	1	ADET
4	71A50-36785-AA		İkili Erkek Soket	Socket-Double	1	ADET
5	11000-36117-AA		Terminal	Terminal SF1EU1	2	ADET
6	71B21-36351-AA	5930-27-006-2892	Anahtar-Siren	Switch-siren	1	ADET
7	71A01-36355-AA		Anahtar Soketi	Switch Socket	1	ADET
8	71A50-80070-AA		Civata	Screw	6	ADET
9	11000-80300-AA	5310-27-006-2926	Yaylı Rondela	Spring Washer	6	ADET
10	11000-80350-AA	5310-27-006-2933	Pul	Plain Washer	7	ADET
11	11000-80200-AA		Somun	Nut	6	ADET

**LAND ROVER 110 YEDEK PARÇALARI****15-8****DİĞERLERİ VE OPSİYONLAR-MISCELLANEOUS AND OPTINAL****OPSİYONEL-DÖNER ÇEKİ KANCASI-ASKERİ S/W  
OPTIONAL EQUIPMENT-ROTATING TOWING  
PINTLE-MILITARY S/W**

RES. NO	PARÇA NO	NATO STOK NO	MALZEMENİN ADI	MALZEMENİN YABANCI ADI	KOMP. MİK.	DAG. BİRİMİ
1	NRC2051	2540-99-825-6119	Döner Çeki Kancası	Rotating Towing Pintle	1	ADET
2	NRC8323-LD	2510-99-126-3491	Takviye Sacı	Stiffener	1	ADET
3	71A10-36239-AA		Takviye Sacı	Stiffener	1	ADET
4	71A10-80032-AA		Civata	Bolt M12X120	4	ADET
5	71A10-80212-AA	5310-27-006-2776	Somun	Nut (NH112041)	8	ADET







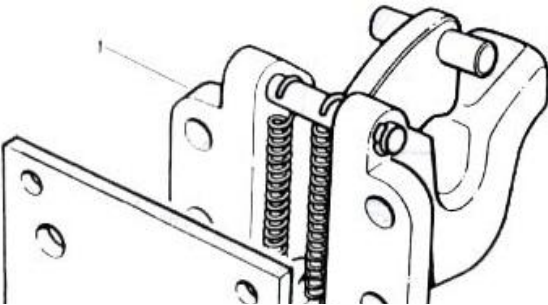
**LAND ROVER 110 YEDEK PARÇALARI**

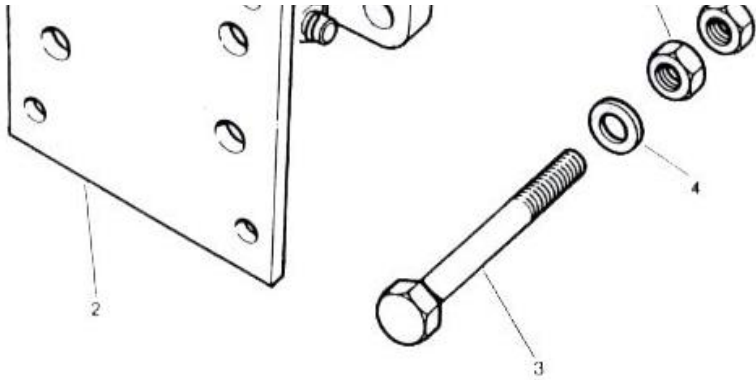
**15-9**

**DİĞERLERİ VE OPSİYONLAR-MISCELLANEOUS AND OPTINAL**

**OPSİYONEL-ÇEKİ KANCASI-SİVİL S/W  
POTIONAL EQUIPMENT-TOWING HOOK-CIVILIAN  
S/W**

RES. NO	PARÇA NO	NATO STOK NO	MALZEMENİN ADI	MALZEMENİN YABANCI ADI	KOMP. MİK.	DAG. BİRİMİ
1	246109-LD	2540-99-895-1873	Çeki Demiri	Towing Hook	1	ADET
2	NRC8323	2510-99-126-3491	Takviye	Stiffener	1	ADET
3	11000-80054-AA	5306-99-122-2796	Civata	Bolt (BH112201)	4	ADET
4	71A00-80340-AA	5310-99-122-6477	Pul	Washer (WA112081)	4	ADET
5	71A10-80212-AA	5310-27-006-2776	Somun	Nut (NH112041)	8	ADET





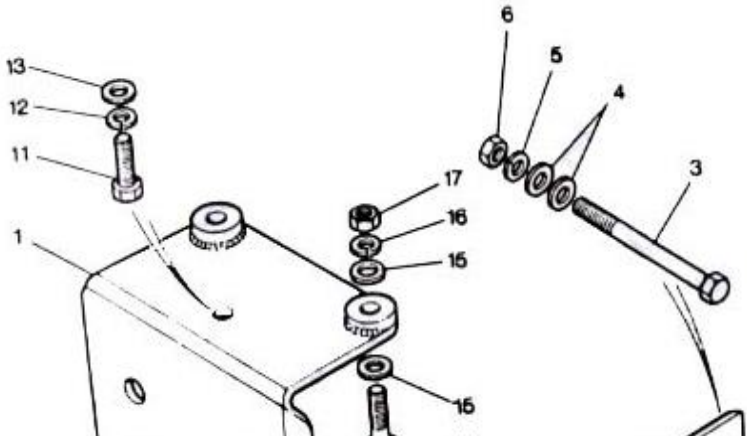
## LAND ROVER 110 YEDEK PARÇALARI

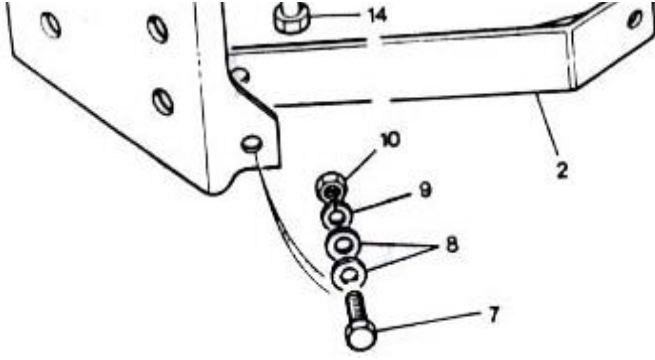
15-10

## DİĞERLERİ VE OPSİYONLAR-MISCELLANEOUS AND OPTINAL

### OPSİYONEL-ÇEKİ DEMİRİ POTIONAL EQUIPMENT-TOWING BRACKET

RES. NO	PARÇA NO	NATO STOK NO	MALZEMENİN ADI	MALZEMENİN YABANCI ADI	KOMP. MİK.	DAĞ. BİRİMİ
1	NRC8208-L	5340-99-547-8315	Braket-Çeki Demiri	Bracket-Towing Jaw	1	ADET
2	NRC8210-L	2530-99-310-8830	Bağlantı Çubuğu-Sağ	Tie Bar-RH	1	ADET
	NRC8211-L	2530-99-330-1591	Bağlantı Çubuğu-Sol	Tie Bar-LH	1	ADET
3	71A00-80048-AA	5306-27-006-2692	Civata	Bolt (BH110201)	2	ADET
4	71A00-80327-AA	5310-99-122-6476	Pul	Plain Washer	4	ADET
5	11000-80303-AA	5310-27-006-2929	Rondela	Spring Washer	2	ADET
6	12B07-80207-AA	5310-27-006-2770	Fiberli Somun	Nyloc Nut (NY110041)	2	ADET
7	11000-80038-AA	5306-27-006-2709	Civata	Screw (SH110301)	2	ADET
8	71A00-80327-AA	5310-99-122-6476	Pul	Plain Washer	4	ADET
9	11000-80303-AA	5310-27-006-2929	Rondela	Spring Washer	2	ADET
10	12B07-80207-AA	5310-27-006-2770	Fiberli Somun	Nyloc Nut (NY110041)	2	ADET
11	11000-80034-AA	5306-27-006-2708	Civata	Screw (SH110251)	1	ADET
12	11000-80303-AA	5310-27-006-2929	Rondela	Spring Washer	1	ADET
13	71A00-80327-AA	5310-99-122-6476	Pul	Plain Washer	1	ADET
14	11000-80084-AA	5306-27-006-2685	Civata	Bolt (BH110081)	2	ADET
15	71A00-80327-AA	5310-99-122-6476	Pul	Plain Washer	4	ADET
16	11000-80303-AA	5310-27-006-2929	Rondela	Spring Washer	2	ADET
17	12B07-80207-AA	5310-27-006-2770	Fiberli Somun	Nyloc Nut (NY110041)	2	ADET





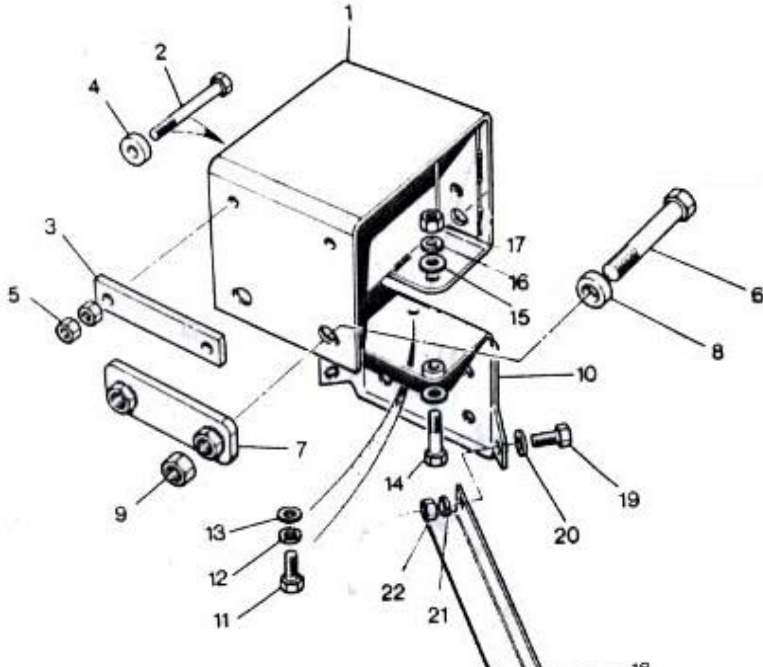
NOT1:Bağlantı çubuğunu kolona bağlar.  
 NOT2:Bağlantı çubuğunu braketle bağlar.  
 NOT3:Braketi arka traverse bağlar.

### LAND ROVER 110 YEDEK PARÇALARI

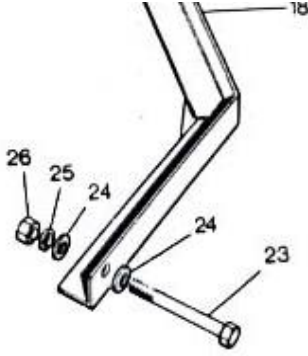
15-11

### DİĞERLERİ VE OPSİYONLAR-MISCELLANEOUS AND OPTINAL

### OPSIYONEL-ÇEKİ DEMİRİ BRAKETİ-PIKAP OPTIONAL EQUIPMENT-TOWING BRACKET-HCPU



RES. NO	PARÇA NO	NATO STOK NO	MALZEMENİN ADI	MALZEMENİN YABANCI ADI	KOMP. Mik.	DAĞ. Birimi
1	NRC7758		Uzatma Komple	Extension Assembly	1	ADET
2	BH110181L	5306-99-122-2782	Civata	Bolt	2	ADET
3	NRC9232		Sac	Plate	1	ADET
4	NRC6324		Ara Pul	Distance Washer	2	ADET
5	12B00-80224-AA	5310-27-006-2760	Fiberli Somun	Nyloc Nut (NY110041)	2	ADET
6	BH116201		Civata	Bolt	2	ADET
7	NRC6636		Sac	Plate	1	ADET
8	4233	5310-99-138-0440	Pul	Washer	2	ADET
9	71A10-80211-AA	5310-27-006-2767	Fiberli Somun	Nyloc Nut (NY116041)	2	ADET
10	NRC8208-L	5340-99-547-8315	Braket-Çeki Demiri	Bracket-Towing Jaw	1	ADET
11	11000-80038-AA	5306-27-006-2709	Civata	Screw (SH110301)	1	ADET
12	11000-80303-AA	5310-27-006-2929	Rondela	Spring Washer	1	ADET
13	71A00-80327-AA	5310-99-122-6476	Pul	Plain Washer	1	ADET
14	BX110071L	5306-99-790-1513	Civata	Bolt	2	ADET



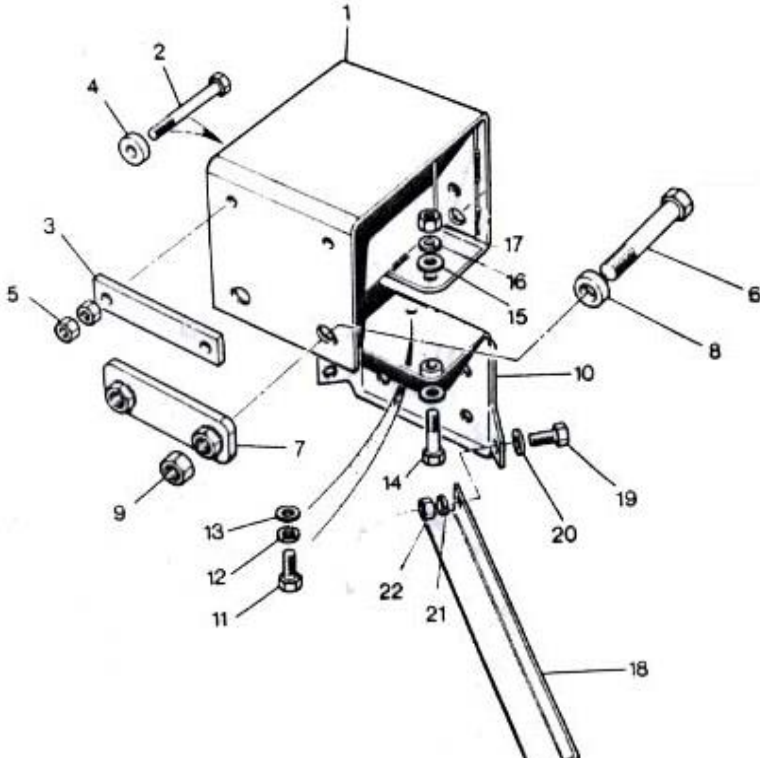
NOT1:Uzatmayı arka traverse..  
 NOT2:Braketi uzatmaya.  
 NOT3:Bağlantı borusunu brakete.  
 NOT4:Bağlantı borusunu şasiye.

### LAND ROVER 110 YEDEK PARÇALARI

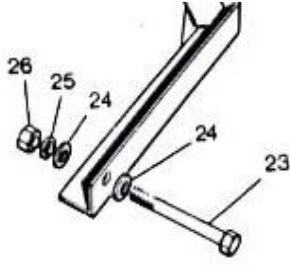
15-12

### DİĞERLERİ VE OPSİYONLAR-MISCELLANEOUS AND OPTINAL

### OPSİYONEL-ÇEKİ DEMİRİ BRAKETİ-PİKAP OPTIONAL EQUIPMENT-TOWING BRACKET-PICK



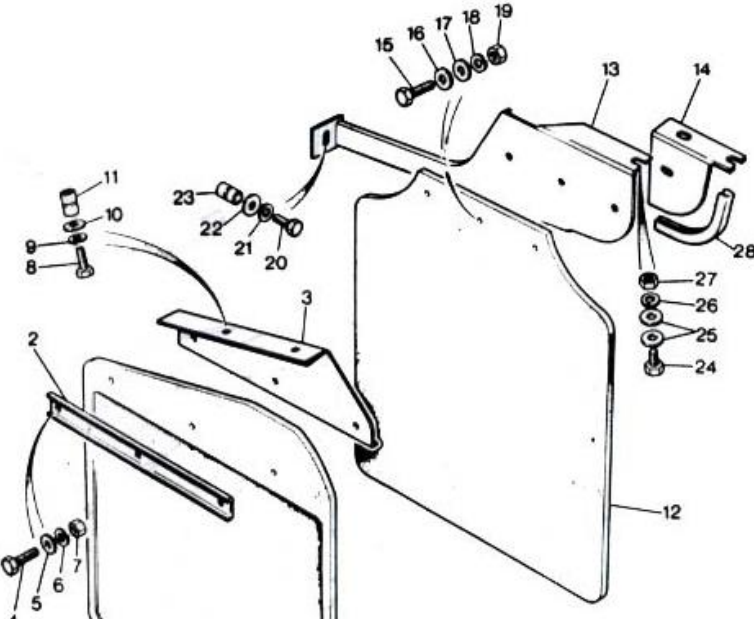
RES. NO	PARÇA NO	NATO STOK NO	MALZEMENİN ADI	MALZEMENİN YABANCI ADI	KOMP. MİK.	DAĞ. BİRİMİ
15	71A00-80327-AA	5310-99-122-6476	Pul	Plain Washer	4	ADET
16	11000-80303-AA	5310-27-006-2929	Rondela	Spring Washer	2	ADET
17	12B00-80224-AA	5310-27-006-2760	Fiberli Somun	Nyloc Nut (NY110041)	2	ADET
18	NRC8229		Bağlantı Borusu-Sol	Tie Bar LH	1	ADET
	NRC8230		Bağlantı Borusu-Sağ	Tie Bar RH	1	ADET
19	11000-80038-AA	5306-27-006-2709	Civata	Screw (SH110301)	2	ADET
20	71A00-80327-AA	5310-99-122-6476	Pul	Plain Washer	4	ADET
21	71000-80303-AA	5310-99-138-9228	Rondela	Spring Washer	2	ADET
22	12B00-80224-AA	5310-27-006-2760	Fiberli Somun	Nyloc Nut (NY110041)	2	ADET
23	71A00-80048-AA	5306-27-006-2692	Civata	Bolt (BH110201)	2	ADET
24	71A00-80327-AA	5310-99-122-6476	Pul	Plain Washer	4	ADET
25	11000-80303-AA	5310-27-006-2929	Rondela	Spring Washer	2	ADET
26	12B00-80224-AA	5310-27-006-2760	Fiberli Somun	Nyloc Nut (NY110041)	2	ADET



NOT1:Uzatmayı arka traverse..  
 NOT2:Braketi uzatmaya.  
 NOT3:Bağlantı borusunu braketeye.  
 NOT4:Bağlantı borusunu şasiye.

## LAND ROVER 110 YEDEK PARÇALARI

### OPSİYONEL-PAÇALIK LASTİKLERİ OPTIONAL EQUIPMENT-MUD FLAPS-FRONT AND REAR

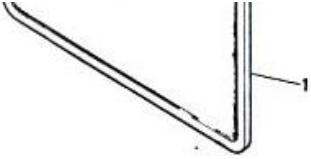


15-13

DİĞERLERİ VE OPSİYONLAR-MISCELLANEOUS AND OPTINAL

RES. NO	PARÇA NO	NATO STOK NO	MALZEMENİN ADI	MALZEMENİN YABANCI ADI	KOMP. MİK.	DAĞ. BİRİMİ
1	MUC3410-LD		Paçalık Lastiği-Ön	Mud Flap-Front	2	ADET
	MUC3401-LD		Paçalık-Sağ Ön	Mud Flap-Front RH	1	ADET
	MUC3402-LD		Paçalık-Sol Ön	Mud Flap-Rear LH	1	ADET
2	MTC3874-LD	2590-99-215-8580	Destek Braketi	Stiffener Bracket	2	ADET
3	MTC3000-LD	2540-99-727-8166	Bağlantı Braketi-Sağ	Mounting Bracket-RH	1	ADET
	MTC3001-LD	2540-99-701-6051	Bağlantı Braketi-Sol	Mounting Bracket-LH	1	ADET
4	11000-80009-AA	5306-27-006-2701	Civata	Screw (SH106251)	6	ADET
5	11000-80351-AA	5310-27-006-2934	Pul	Plain Washer	6	ADET
6	11000-80301-AA	5310-27-006-2927	Rondela	Spring Washer	6	ADET
7	71A00-80201-AA	5310-27-006-2772	Somun	Nut (NH106041)	6	ADET
8	11000-80008-AA	5306-27-006-2700	Civata	Screw (SH106201)	4	ADET
9	11000-80301-AA	5310-27-006-2927	Rondela	Spring Washer	4	ADET
10	11000-80351-AA	5310-27-006-2934	Pul	Plain Washer	4	ADET
11	NN106021	5310-99-138-4838	Dübel	Nutsert	4	ADET
12	MUC3411-LD		Paçalık Lastiği-Arka	Mud Flap-Rear	2	ADET
	MUC3403-LD		Paçalık-Arka Sağ	Mud Flap-Rear RH	1	ADET
	MUC3404-LD		Paçalık-Arka Sol	Mud Flap-Rear LH	1	ADET
13	MTC8358-LD	2540-99-713-3023	Bağlantı Braketi-Sağ	Mounting Bracket-RH	1	ADET
	MTC8357-LD	2540-99-581-6517	Bağlantı Braketi-Sol	Mounting Bracket-LH	1	ADET
14	MTC8440	5340-99-660-7459	Uzatma Braketi-Sağ	Extension Bracket-RH	1	ADET
	MTC8441	5340-99-192-4959	Uzatma Braketi-Sol	Extension Bracket-LH	1	ADET
15	11000-80007-AA	5306-27-006-2699	Civata	Screw (SH106161)	6	ADET
16	WJ600041	5310-99-948-0345	Pul	Plain Washer	6	ADET
17	71A00-80318-AA	5310-99-139-0070	Pul	Plain Washer (WC106041)	6	ADET
18	11000-80301-AA	5310-27-006-2927	Rondela	Spring Washer	6	ADET

4



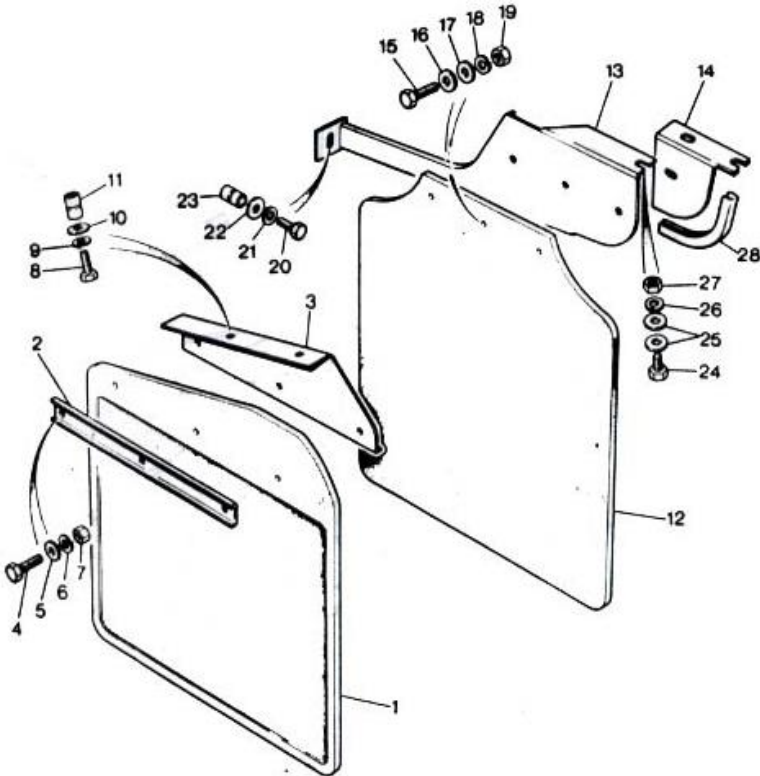
## LAND ROVER 110 YEDEK PARÇALARI

15-14

## DİĞERLERİ VE OPSİYONLAR-MISCELLANEOUS AND OPTINAL

### OPSİYONEL-PAÇALIK LASTİKLERİ-ÖN VE ARKA OPTIONAL EQUIPMENT-MUD FLAPS-FRONT AND REAR

RES. NO	PARÇA NO	NATO STOK NO	MALZEMENİN ADI	MALZEMENİN YABANCI ADI	KOMP. MİK.	DAĞ. BİRİMİ
19	11000-80203-AA	5310-27-006-2769	Somun	Nut	6	ADET
20	11000-80007-AA	5306-27-006-2699	Civata	Screw (SH106161)	2	ADET
	11000-80008-AA	5306-27-006-2700	Civata	Screw (SH106201)	2	ADET
21	11000-80301-AA	5310-27-006-2927	Rondela	Spring Washer	2	ADET
22	11000-80351-AA	5310-27-006-2934	Pul	Plain Washer	2	ADET
23	NN106001		Dubel	Nutsert	2	ADET
24	11000-80007-AA	5306-27-006-2699	Civata	Screw (SH106161)	4	ADET
	11000-80008-AA	5306-27-006-2700	Civata	Screw (SH106201)	4	ADET
25	11000-80351-AA	5310-27-006-2934	Pul	Plain Washer	8	ADET
26	11000-80301-AA	5310-27-006-2927	Rondela	Spring Washer	4	ADET
27	71A00-80201-AA	5310-27-006-2772	Somun	Nut (NH106041)	4	ADET



NOT1:Şasi No FA41615'e kadar.

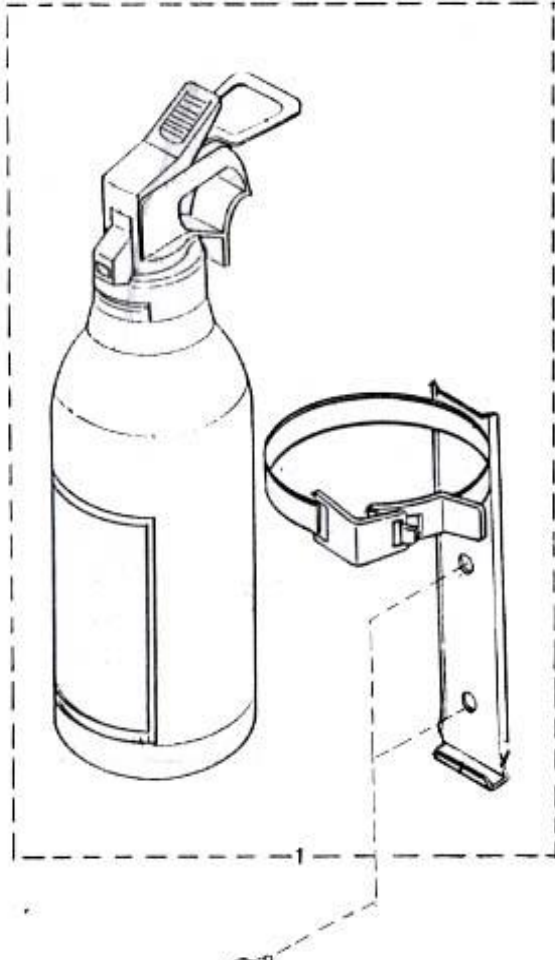
LAND ROVER 110 YEDEK PARÇALARI

15-15

DİĞERLERİ VE OPSİYONLAR-MISCELLANEOUS AND OPTINAL

OPSİYONEL-YANGIN SÖNDÜRÜCÜ

RES. NO	PARÇA NO	NATO STOK NO	MALZEMENİN ADI	MALZEMENİN YABANCI ADI	KOMP. MİK.	DAG. BİRİMİ
1	11000-35010-AA		Yangın Söndürücü Komple	Fire Extinguisher Complete	1	ADET
2	RU612373	5320-99-120-9002	Pop Perçin	Pop Rivet	2	ADET



**LAND ROVER 110 YEDEK PARÇALARI****15-16****DİĞERLERİ VE OPSİYONLAR-MISCELLANEOUS AND OPTINAL****OPSİYONEL-STEPNE KILIFI  
OPTIONAL EQUIPMENT-COVER-SPARE WHEEL**

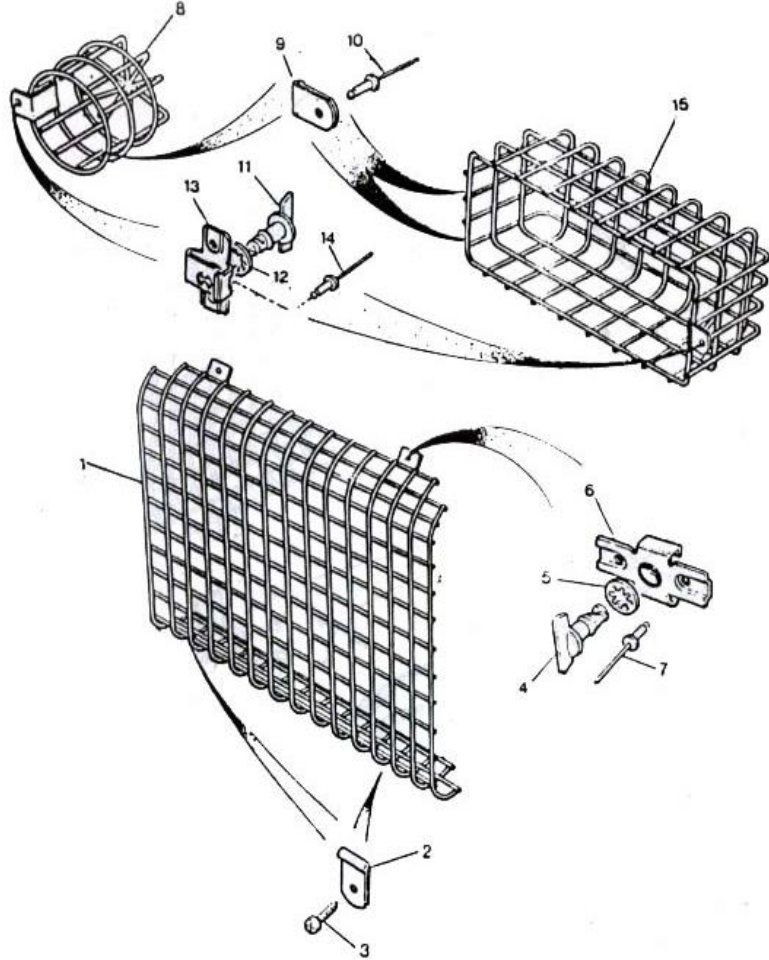
RES. NO	PARÇA NO	NATO STOK NO	MALZEMENİN ADI	MALZEMENİN YABANCI ADI	KOMP. Mik.	DAG. Birimi
1	71A00-70063-AB		Stepne Kılıfı	Cover-Spare Wheel	1	ADET





LAND ROVER 110 YEDEK PARÇALARI

ON VE ARKA MENTEŞELİ LAMBA MUHAFAZALARI  
FRONT AND REAR HINGED LAMP GUARDS



15-17

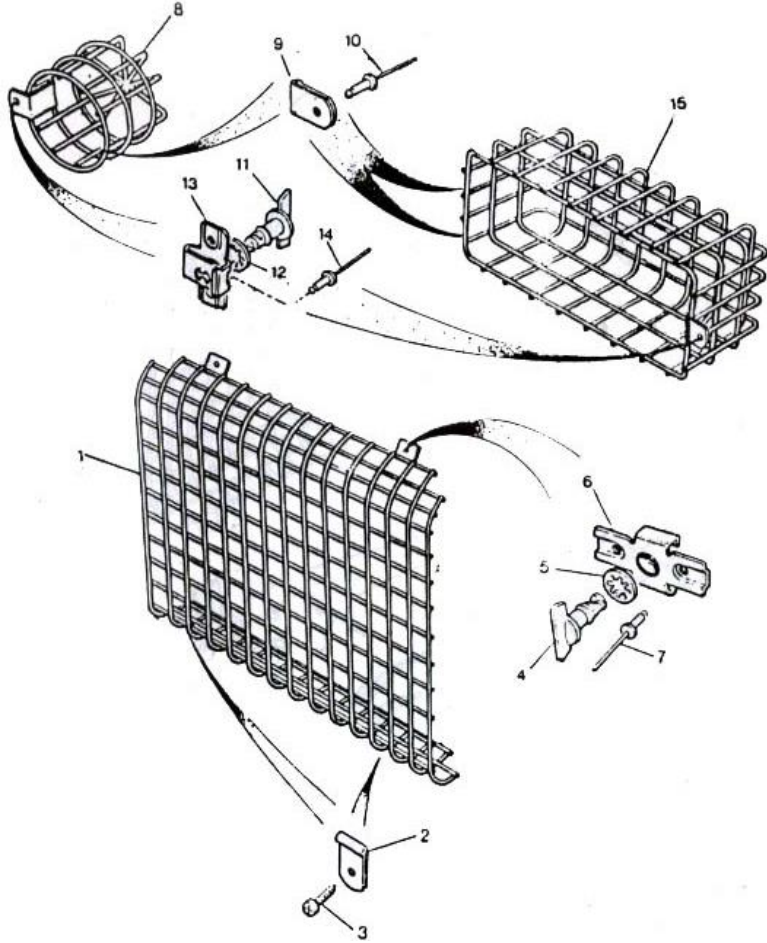
DİĞERLERİ VE OPSİYONLAR-MISCELLANEOUS AND OPTINAL

RES. NO	PARÇA NO	NATO STOK NO	MALZEMENİN ADI	MALZEMENİN YABANCI ADI	KOMP. MİK.	DAĞ. BİRİMİ
1	RRC5290-LD		Ön Lamba Muhafazası	Front Lampquard	2	ADET
2	3887-LD		Menteşe	Hinge	4	ADET
	71A10-36254-AA		Menteşe	Hinge	4	ADET
	3887-LD		Menteşe	Hinge	1	ADET
3	71A00-81346-AA	5305-99-722-6780	Sac Vidası	Drive Screw	4	ADET
4	RRC3983	5325-99-867-8144	Saplama	Stud	4	ADET
5	RRC3980	5310-99-842-2517	Tutucu Kelepçe	Retainer	4	ADET
6	RRC3979		Karşılık	Receptacle	4	ADET
7	RU608313	5320-99-631-0777	Pop Perçin	Pop Rivet	8	ADET
8	RRC5254-LD		Arka Lamba Muhafazası	Rear Lampquard	3	ADET
9	3887-LD		Menteşe	Hinge	5	ADET
	3887-LD		Menteşe	Hinge	4	ADET
	71A10-36254-AA		Menteşe	Hinge	5	ADET
10	71A10-36276-AA		Perçin	Rivet	6	ADET

NOT:Askeri pikaplar için.  
NOT1:Ekim 1992'den önce.  
NOT2:Ekim 1992'den itibaren.  
NOT3:Mayıs 1989'dan önce.  
NOT4:Mayıs 1989'dan itibaren.

LAND ROVER 110 YEDEK PARÇALARI

ÖN VE ARKA MENTEŞELİ LAMBA MUHAFAZALARI  
FRONT AND REAR HINGED LAMP GUARDS



15-18

DİĞERLERİ VE OPSİYONLAR-MISCELLANEOUS AND OPTINAL

RES. NO	PARÇA NO	NATO STOK NO	MALZEMENİN ADI	MALZEMENİN YABANCI ADI	KOMP. MİK.	DAG. BİRİMİ
11	71A10-36295-AA		Saplama	Stud	2	ADET
	RRC3983	5325-99-867-8144	Saplama	Stud	2	ADET
	RRC3983	5325-99-867-8144	Saplama	Stud	4	ADET
12	RRC3980	5310-99-842-2517	Tutucu Kelepçe	Retainer	4	ADET
13	RRC3979		Karşılık	Receptacle	4	ADET
14	RU608313	5320-99-631-0777	Pop Perçin	Pop Rivet	8	ADET
15	71A10-36231-AB		Arka Lamba Muhafazası	Rear Lampguard	1	ADET
	71A10-36231-AB		Arka Lamba Muhafazası	Rear Lampguard	1	ADET
	72A10-36231-AA		Arka Lamba Muhf.Komple Sağ	Rear Lamp Guard Assy RH	1	ADET
	72A10-36233-AA		Arka Lamba Muhf.Komple Sol	Rear Lamp Guard Assy RH	1	ADET

DIP  
NOT

DIP  
NOT

DIP  
NOT







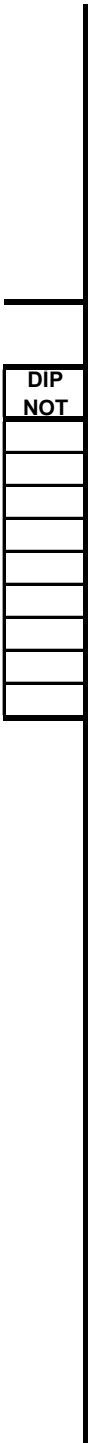
DIP  
NOT











DIP  
NOT

DIP
NOT
Not1
Not2

\_\_\_\_\_

DIP  
NOT

\_\_\_\_\_

\_\_\_\_\_

\_\_\_\_\_

\_\_\_\_\_

\_\_\_\_\_

\_\_\_\_\_

\_\_\_\_\_

\_\_\_\_\_

\_\_\_\_\_

\_\_\_\_\_

\_\_\_\_\_

\_\_\_\_\_

\_\_\_\_\_

\_\_\_\_\_

\_\_\_\_\_

\_\_\_\_\_

\_\_\_\_\_

\_\_\_\_\_

\_\_\_\_\_

\_\_\_\_\_

DIP  
NOT

\_\_\_\_\_



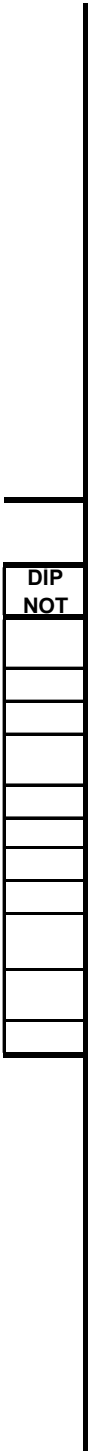












DIP	NOT



DIP  
NOT


Not




DIP  
NOT



DIP
NOT

DIP
NOT
Not1
Not2



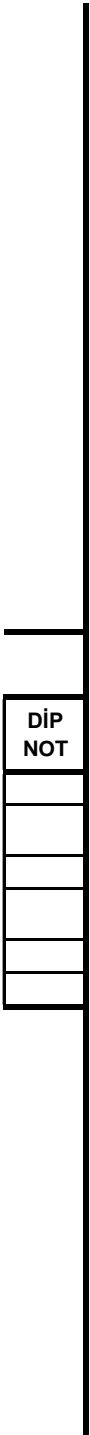




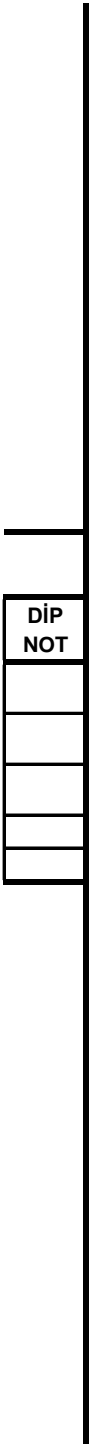

DIP
NOT







DIP  
NOT



DIP  
NOT



DIP  
NOT





DIP  
NOT

DIP
NOT
Not

---

DIP
NOT
Not






DIP
NOT
Not









DIP  
NOT

Not1

Not2

Not3





DIP  
NOT





DIP  
NOT



DIP  
NOT

DIP  
NOT

Not1

Not2

DIP

NOT







DIP
NOT
Not1
Not2
Not3
Not4
Not5
Not5
Not5
Not5
Not5

DIP  
NOT

Not1

Not2

Not2





DIP

NOT

Not1

Not2





DIP  
NOT

DIP
NOT
Not1
Not2

DIP
NOT









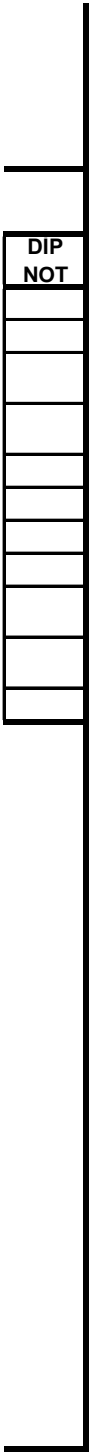












DIP  
NOT

DIP
NOT
Not



Not1
Not2
Not1
Not2
Not3
Not4
Not3
Not3
Not3
Not3
Not3
Not3
Not3
Not3
Not3
Not3
Not3
Not3
Not3
Not3
Not3

--

--

DIP
NOT
Not1
Not2
Not3
Not1
Not2




—

DIP
NOT
Not1
Not2
Not1
Not2



DIP  
NOT





DIP  
NOT







DIP  
NOT

DIP
NOT

DIP
NOT
Not




—

DIP
NOT
Not



DIP  
NOT

Not1

Not2




DIP  
NOT




---

DIP
NOT

Not1
------

Not2
------

--

--

--

Not2
------

Not2
------



DIP

NOT

Not1

Not2



DIP Not
------------

Not
-----





DIP
Not

DIP
Not









--

---

DIP
Not

Not
-----

Not
-----

--

--

--

--

--

--


\_\_\_\_\_

DIP  
Not


Not




DIP Not
Not



Not









DIP  
Not



DIP  
Not














\_\_\_\_\_

DIP
Not

Not1
Not2



DIP

Not

Not1

Not2

Not3







DIP
Not
Not4
Not5
Not4
Not5
Not5
Not4
Not8
Not6

---

DIP
Not

Not1
Not2
Not3
Not3
Not3

---

DIP
Not
Not1







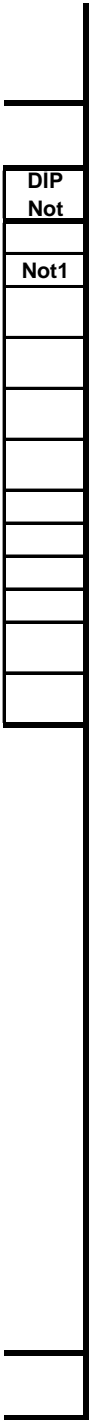


DIP  
Not




DIP
Not





DIP  
Not

Not1





Not4
Not5
Not5

--

--

DIP
Not

--

Not2
------

--

Not4
Not5

--

Not2
------

--

Not2
------





--

DIP  
Not


Not2

--

Not1

Not1

--

--

Not3

Not3

--

--

Not2

--

--

--

--

--

--


---

DIP
Not


Not1
------

Not2
------






DIP  
NOT

DIP
NOT
Not1
Not2





DIP  
NOT  
Not1  
Not2

DIP
NOT
Not1
Not2

DIP
NOT
Not1

Not2
Not3
Not4

DIP
NOT

Not1
Not2

DIP
NOT
Not1
Not2













Not3
Not4

--

--

DIP
NOT

--

--

Not
-----

Not
-----

Not
-----

Not
-----

Not
-----

--

--

--

--

--

--

--

--

--

--

--

--

--

--

--

--

--

--

--

--



DIP  
NOT





DIP  
NOT



DIP  
NOT

Not1

DIP  
NOT  
Not1  
Not2

DIP  
NOT





DIP
NOT



<b>Not</b>
<b>Not</b>

<b>DIP</b>
<b>NOT</b>
<b>Not1</b>







DIP  
NOT





DIP  
NOT

DIP  
NOT

Not1

Not2



--

DIP
NOT

Not1
------

Not2
------

Not1
------

Not2
------

--

--

--

--

--

--

Not3
------

Not4
------

--

--

--







DIP  
NOT

Not1

Not2

Not1

Not2

DIP
NOT

DIP
NOT
Not 1
Not 2

Not 1
Not 2
Not 3
Not 3
Not 1
Not 2

DIP
NOT

Not

\_\_\_\_\_

DIP
NOT
Dizel



DIP  
NOT




DIP
NOT
Not 1
Not 2
Not 1
Not 2
Not 1
Not 2
Not 1



--

---

DIP NOT
------------

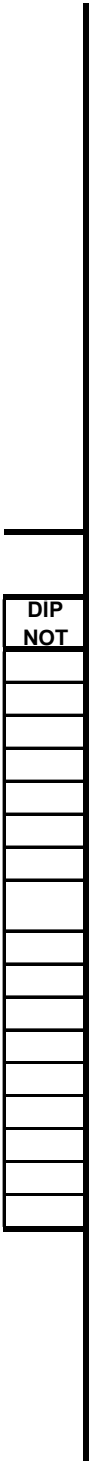
Not 1
-------

Not 1
-------

Not 1
-------

Not 1
-------

Not 1
-------



DIP  
NOT

DIP  
NOT

Not 1-2

Not 1-2

Not 1-2

Not 2

Not 1

Not 3

Not 3

Not 1

Not 3

DIP
NOT
Not1
Not2
Not3
Not4
Not1
Not1
Not1
Not2
Not2
Not2
Not2



DIP  
NOT

DIP
NOT

DIP
NOT







DIP
NOT
Not 1
Not 1
Not 1
Not 2
Not 1
Not 1




<b>DIP</b>
<b>NOT</b>
<b>Not 1</b>
<b>Not 2</b>
<b>Not 3</b>
<b>Not 4</b>
<b>Not 5</b>
<b>Not 6</b>
<b>Not 4</b>
<b>Not 4</b>



DIP
NOT

DIP  
NOT

Not 1

Not 2

Not 1

Not 2

Not 2

Not 2

Not 2

Not 2

Not 2

Not 2

\_\_\_\_\_

DIP  
NOT

\_\_\_\_\_

\_\_\_\_\_

\_\_\_\_\_

\_\_\_\_\_

\_\_\_\_\_

\_\_\_\_\_

Not 1

Not 2

Not 3

Not 4

\_\_\_\_\_

\_\_\_\_\_

\_\_\_\_\_

\_\_\_\_\_

\_\_\_\_\_

\_\_\_\_\_

\_\_\_\_\_

\_\_\_\_\_

\_\_\_\_\_

\_\_\_\_\_

\_\_\_\_\_

Not 5

Not 5

\_\_\_\_\_

\_\_\_\_\_



DIP

NOT

Not 1

Not 2

Not 1

Not 2







DIP  
NOT

Not 1

Not 2

DIP
NOT
Not 1
Not 2

DIP
NOT

Not 1
Not 2
Not 3
Not 4
Not 5

DIP
NOT

Not 1
Not 3
Not 4
Not2
Not 2

\_\_\_\_\_

DIP
NOT
Not 1



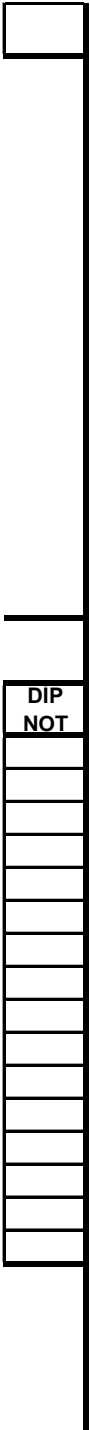


DIP  
NOT











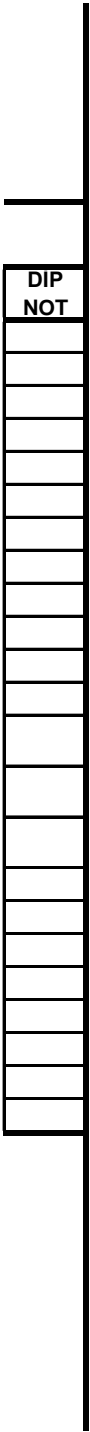
DIP  
NOT



DIP  
NOT

DIP
NOT
Not 1
Not 2
Not 1
Not 1
Not 1
Not 1
Not 2

DIP
NOT
Not 3
Not 3
Not 3
Not 3
Not 4
Not 4



DIP  
NOT



DIP  
NOT







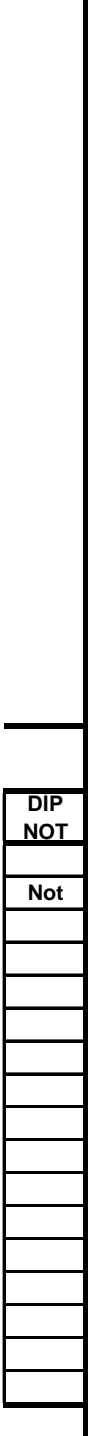

DIP
NOT



Pikap
Pikap

\_\_\_\_\_

DIP
NOT
Not 1
Not 2
Not 3
Not 4
Not 3
Not 4



DIP  
NOT

Not

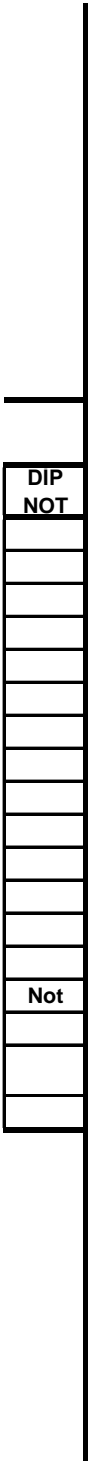


DIP  
NOT

Not 1

Not 2

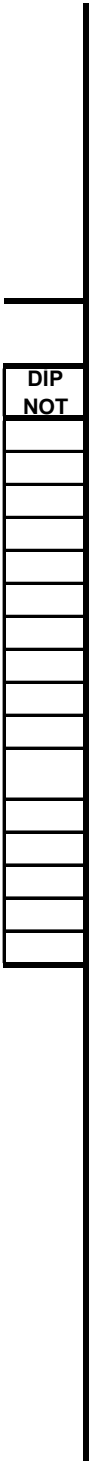
DIP
NOT
Not 1
Not 2
Not 3
Not 4
Not 5
Not 5
Not 5
Not 5



DIP  
NOT

Not





DIP  
NOT

DIP
NOT
Not 1
Not 2
Not 3
Not 4
Not 5
Not 6

DIP
NOT
Not 1
Not 2
Not 3
Not 1
Not 4
Not 5
Not 6
Not 1
Not 4





<b>Not</b>
<b>Not</b>
<b>Not</b>
<b>Not</b>

---

<b>DIP</b>
<b>NOT</b>
<b>Pikap</b>
<b>Not1</b>



Not 4
Not 4
Not 4
Not 5
Not 4
Not 5

---

DIP
NOT
Not4
Not4
Not4
Not5
Not5
Not6
Not6
Not6
Not6



\_\_\_\_\_

DIP  
NOT

Not1

Not2

\_\_\_\_\_

Not1

Not2

\_\_\_\_\_

\_\_\_\_\_

\_\_\_\_\_

\_\_\_\_\_

\_\_\_\_\_

\_\_\_\_\_

\_\_\_\_\_

\_\_\_\_\_

\_\_\_\_\_

\_\_\_\_\_

\_\_\_\_\_

\_\_\_\_\_



DIP

NOT

Not1

Not2

Not3

Not4

Not3

Not4

Not3

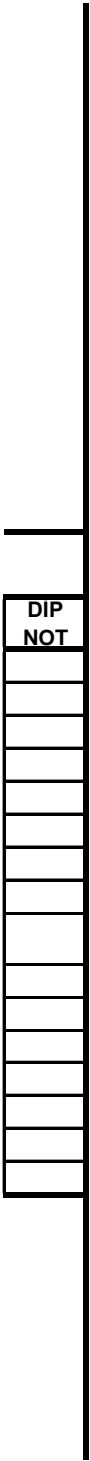
Not4

Not5

Not6



DIP  
NOT



DIP  
NOT



DIP
NOT
Not1
Not2
Not3
Not1
Not2
Not3
Not2
Not3
Not4
Not5
Not2
Not3
Not2
Not3



DIP
NOT
Not1
Not2
Not3





Not2
Not3
Not2
Not3
Not4
Not4
Not5
Not6

DIP
NOT


DIP
NOT
Not1
Not2
Not1
Not2





DIP  
NOT

Not1

Not1

\_\_\_\_\_

DIP  
NOT

Not1

Not4

\_\_\_\_\_

\_\_\_\_\_

Not4

\_\_\_\_\_

\_\_\_\_\_

\_\_\_\_\_

Not2

\_\_\_\_\_

Not3

Not3

\_\_\_\_\_



DIP  
NOT

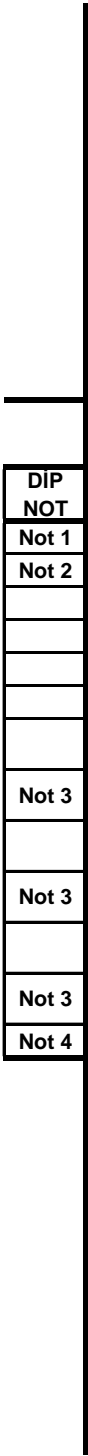
Pikap  
Pikap











DIP  
NOT

Not 1

Not 2

Not 3

Not 3

Not 3

Not 4



DIP
NOT
Not 1
Not 2
Not 1
Not 3
Not 4
Not 2



DIP  
NOT

Not

DIP
NOT
Not

—  
—

DIP
NOT
Not

DIP
NOT



Not

DIP
NOT

Not 1
Not 2

---

DIP
NOT
Not 1
Not 2
Not 3
Not 4





Not 7

DIP

NOT

Not 6

Not 7

Not 6

Not 8

Not 9

Not 9

Not 10

Not 11

DIP
NOT
Not 8
Not 9
Not 8
Not 9
Not 9
Not 8
Not 9
Not 9
Not 5

\_\_\_\_\_

DIP  
NOT

Not 1

Not 2

Not 3

Not 4

Not 4







DIP
NOT
Not 1
Not 2
Not 3
Not 4
Not 5
Not 6
Not 7
Not 7
Not 7
Not 7
Not 8
Not 8

DIP
NOT
Not 8
Not 8
Not 8
Not 8
Not 9

DIP
NOT
Not 10
Not 11
Not 10
Not 11

DIP
NOT

Not 1
Not 1
Not 2
Not 3

---

DIP
NOT
Not 1
Not 2
Not 3
Not 4

Not 5
Not 6
Not 7
Not 7
Not 8
Not 8

---

DIP
NOT
Not 8
Not 8
Not 8
Not 8
Not 9
Not 9
Not 9

Not 9
Not 9
Not 9

DIP
NOT
Not 10
Not 11
Not 12
Not 6
Not 7

\_\_\_\_\_

DIP  
NOT

\_\_\_\_\_

\_\_\_\_\_

\_\_\_\_\_

\_\_\_\_\_

\_\_\_\_\_

\_\_\_\_\_

\_\_\_\_\_

\_\_\_\_\_

\_\_\_\_\_

\_\_\_\_\_

\_\_\_\_\_

\_\_\_\_\_

\_\_\_\_\_

\_\_\_\_\_

\_\_\_\_\_

\_\_\_\_\_

Not 1

Not 1

\_\_\_\_\_

\_\_\_\_\_

\_\_\_\_\_

Not 2



Not 3

DIP  
NOT

Not 1

Not 2

Not 3

Not 4

Not 5

Not 6

Not 7

DIP  
NOT

Not 1

Not 2

Not 1

Not 2

Not 4

Not 4

Not 4

Not 4

Not 5

Not 6

Not 5

Not 6

DIP  
NOT

Not 1

Not 2

Not 1

Not 3

Not 4

Not 5

Not 6

Not 7

Not 8

DIP
NOT
Not 1
Not 2
Not 3
Not 4
Not 5
Not 6
Not 7
Not 8

DIP NOT
Not 3
Not 1
Not 2
Not 2
Not 2
Not 1
Not 1



DIP  
NOT

Not 1

Not 2

Not 1

Not 2

Not 3

Not 4

Not 5

Not 6

Not 7

DIP
NOT
Not 1
Not 2
Not 3
Not 4
Not 4

---

DIP
NOT

Not 1
Not 2

DIP
NOT



Not 1
Not 2

DIP
NOT



Not 5

DIP NOT
Not 1
Not 2
Not 3
Not 4
Not 5



Not 4

---

DIP
NOT
Not 1
Not 2
Not 1
Not 2
Not 1
Not 2
Not 3
Not 4
Not 2

DIP
NOT
Not1
Not2
Not1
Not2
Not1
Not2
Not1
Not2
Not3
Not4

DIP  
NOT

Not1

Not2

Not1

Not2





DIP
NOT
Not

DIP
NOT



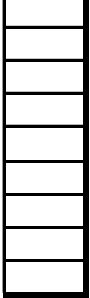
Not2
Not1
Not2
Not3
Not3

DIP
NOT
Not1
Not2
Not3
Not4
Not5
Not6





DIP  
NOT





DIP  
NOT

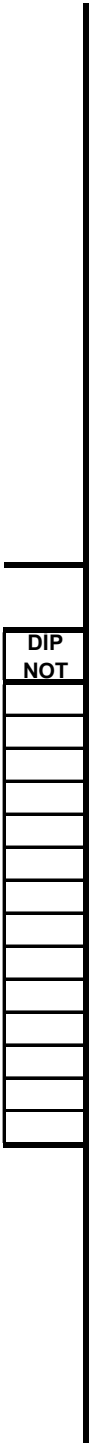
Not1

Not2

Not1

Not2

Not



DIP  
NOT

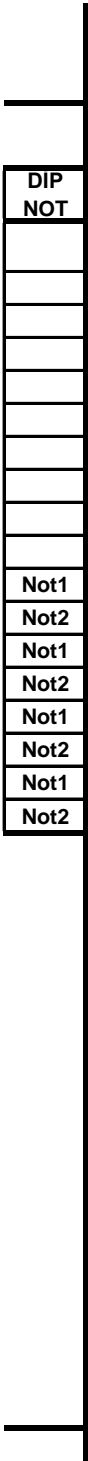








DIP  
NOT



DIP  
NOT

Not1

Not2

Not1

Not2

Not1

Not2

Not1

Not2






DIP
NOT










\_\_\_\_\_

DIP  
NOT

--

--

--

--

Not1

Not1

Not1

Not1

Not1

Not1

Not1

Not1

Not1

Not1

Not2

Not2

Not2

Not2

Not2

Not2

Not2

Not2

Not2

Not2

Not2

Not2

Not2

Not2

Not2



DIP  
NOT



DIP  
NOT

















--

--

DIP
NOT

--

--

--

Not1
------

Not2
------

--

Not3
------

Not4
------

Not3
------

--

Not5
------

Not6
------

Not7
------

Not8
------

--

--

--

--

--



DIP
NOT
Not1
Not2
Not1
Not2
Not1
Not2
Not1
Not2
Not3
Not3
Not4
Not4
Not5
Not5

---

DIP
NOT
Not6
Not7

Not4
Not4
Not5
Not5
Not4
Not5
Not8
Not9

DIP
NOT
Not3
Not1
Not1

Not2
Not1
Not1
Not1
Not1
Not1
Not1
Not1

\_\_\_\_\_

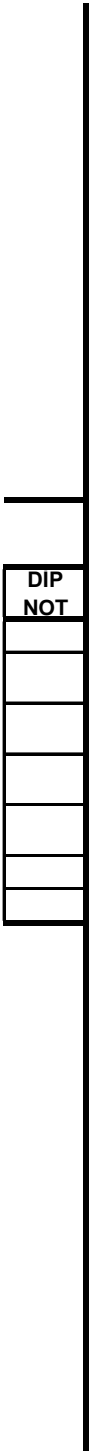
DIP
NOT

DIP
NOT
Not1
Not2
Not2
Not3
Not3









DIP  
NOT







DIP
NOT
Not1
Not1
Not2
Not2
Not3
Not3
Not3
Not3
Not4
Not4
Not5
Not5
Not6
Not7

---

DIP
NOT

Not1

DIP
NOT




\_\_\_\_\_

DIP
NOT
Not1
Not1



<b>Not1</b>

--

<b>DIP</b>
<b>NOT</b>
<b>Not3</b>
<b>Not4</b>
<b>Not4</b>
<b>Not1</b>
<b>Not1</b>
<b>Not3</b>
<b>Not4</b>



DIP  
NOT

Not1

Not2

Not







DIP  
NOT

DIP
NOT
Not1+2
Not1
Not2
Not2
Not1
Not2
Not2
Not2
Not2
Not2
Not2
Not2
Not2
Not2
Not2
Not3
Not3











**Not**

\_\_\_\_\_

**DIP  
NOT**

\_\_\_\_\_

\_\_\_\_\_

\_\_\_\_\_

**Not**

**Not**

**Not**

\_\_\_\_\_

\_\_\_\_\_

\_\_\_\_\_

\_\_\_\_\_

\_\_\_\_\_

\_\_\_\_\_

\_\_\_\_\_

\_\_\_\_\_



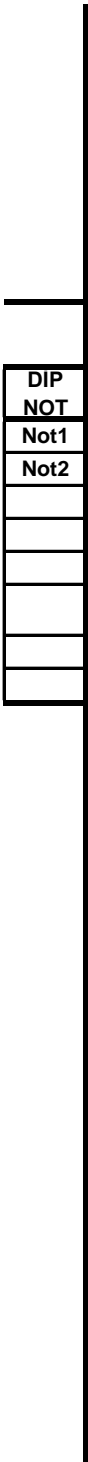

DIP
NOT











DIP

NOT

Not1

Not2



DIP
NOT
Not1
Not1
Not2
Not2
Not4
Not4
Not3
Not3
Not3
Not3
Not3
Not3
Not3
Not3
Not4
Not4
Not4
Not4
Not4
Not4
Not4
Not4


DIP
NOT
Not1
Not1
Not2





















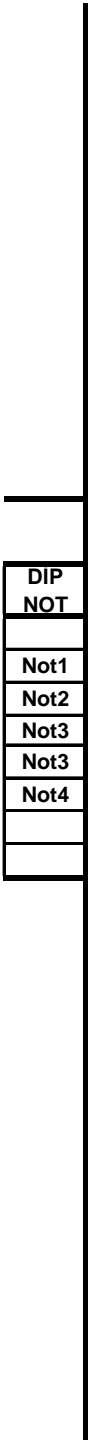












DIP  
NOT

Not1

Not2

Not3

Not3

Not4



DIP  
NOT





DIP  
NOT



DIP  
NOT

DIP
NOT

DIP
NOT

Not1
Not2

DIP
NOT
Not1



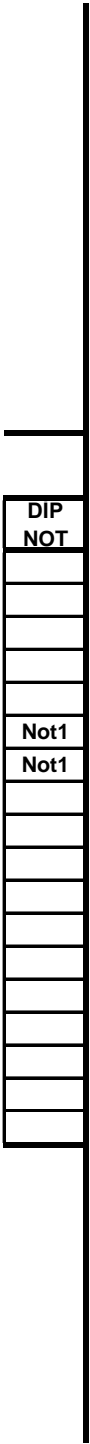












DIP  
NOT

Not1  
Not1











DIP  
NOT

Not1

Not2

Not3

Not1
Not2
Not3
Not1
Not4
Not5
Not6
Not7
Not8
Not9
Not8
Not9
Not8
Not10
Not11
Not10
Not11

--

DIP
NOT
Not1
Not1
Not2
Not2
Not3

Not4
Not1
Not1
Not2
Not2
Not5
Not6

DIP
NOT
Not1
Not1
Not2
Not2
Not3
Not4


\_\_\_\_\_

DIP
NOT
Not1
Not2
Not3
Not1
Not4

\_\_\_\_\_



DIP  
NOT


--

DIP  
NOT

Not1

Not2

--

--

Not3

Not4

Not5

--

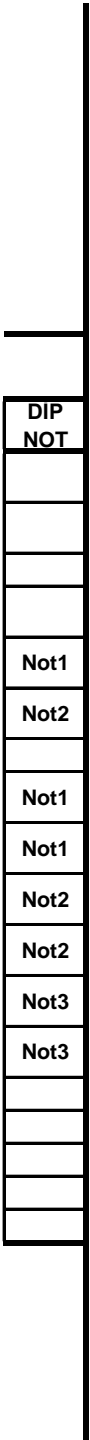
--

--

--

--

--



DIP  
NOT

Not1

Not2

Not1

Not1

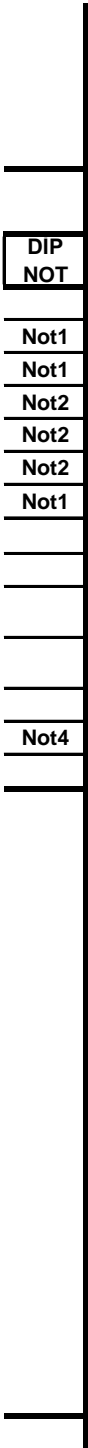
Not2

Not2

Not3

Not3





DIP  
NOT

Not1

Not1

Not2

Not2

Not2

Not1

Not4





Not2
Not3
Not4

\_\_\_\_\_

DIP
NOT



DIP  
NOT



DIP NOT



DIP  
NOT

Not1  
Not2



DIP
NOT

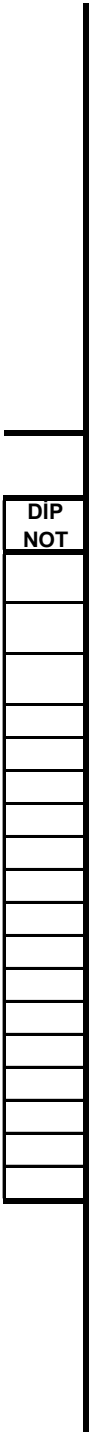




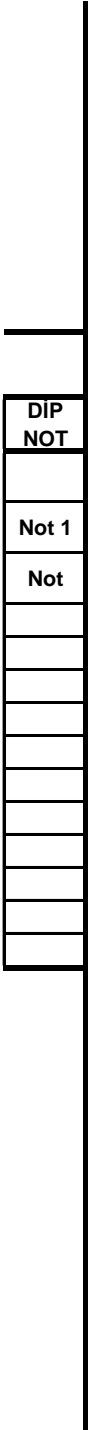
DIP  
NOT

---

DIP
NOT
Not 1
Not 2
Not 1
Not
Not



DIP  
NOT









DIP
NOT
Not 1
Not 2
Not 1
Not 2

---

DIP
NOT




—

DIP
NOT





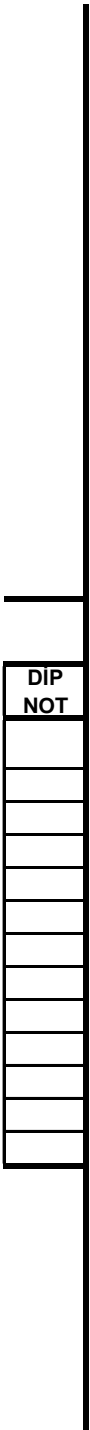




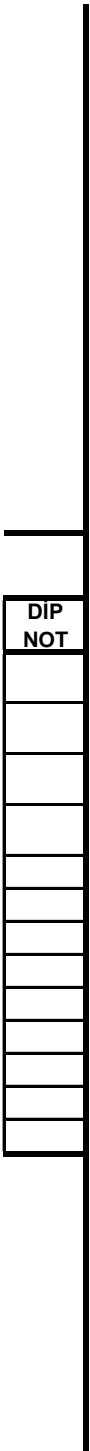
DIP
NOT



DIP
NOT



DIP  
NOT







DIP  
NOT

Üst  
Alt

DIP
NOT
Not 1
Not 2
Not 3
Sivil
Not 4
Not 3
Not 3



DIP  
NOT

Not 3

Not 5

Not 4

Not 6

DIP
NOT

DIP
NOT


\_\_\_\_\_

DIP
NOT
Not 1
Not 1

Not 1
Not 1
Not 1
Not 2

\_\_\_\_\_

DIP
NOT

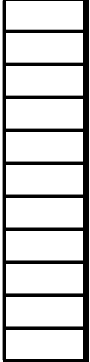

DIP
NOT
Pikap
Not
Pikap
Pikap
Pikap







DIP  
NOT





DIP  
NOT



DIP  
NOT




---

DIP
NOT

Not 1
-------

Not 1
-------

Not 1
-------

Not 1
-------

Not 1
-------

Not 1
-------

Not 1
-------

Not 1
-------

--

Not 2
-------

Not 2
-------

Not 2
-------

Not 2
-------

DIP
NOT
Not 2
Not 2
Not 2
Not 3
Not 3
Not 3
Not 3
Not 4
Not 4
Not 4
Not 4



DIP  
NOT

Pikap  
Pikap

DIP  
NOT

Not 1

Not 1





DIP  
NOT



DIP  
NOT

DIP
NOT
Not 1
Not 2
Not 2
Not 1
Not
Not 2

DIP
NOT
Not
Not 3
Not 4
Not
Not